

**Features**

LLS36-WET projects light sideways instead of perpendicular to the surface. It's a great choice for bending around curved surfaces when upward or downward projection of light is desired.

To maintain IP65, IP67, and IP68 rating, LineLED Wet Tube is factory sealed and bonded. Order in exact lengths required for install, LineLED Wet Tube is not field cuttable. IP rating of strip is equal to the lowest IP rating of section start and end options.



**Mounting**

LED strip is equipped with 3M™ adhesive transfer tape (9472LE).

**Applications**

Outdoor and wet locations - cove lighting, architectural accent, handrail, wet bars

**Approvals**

IP65, IP67, and IP68 rated

**Operating voltage**

24 VDC

**Average Life (L70)**

50,000 hours

**Warranty**

3 years



**Technical information**

<b>TYPE</b>	<b>LLS36</b>
Light output (3000K)	142 lm/ft
Average power consumption	2.9 W/ft
Cutting increment	1.97"
Pitch length	0.33"
Efficacy	49 lm/W
Maximum run length (in series)	32 ft
Max Strip Length	16 ft
Dimensions	0.42" W x 0.16" H

**Section Start/End Options**

**SL65**

72" Soldered Leads, IP65 rated



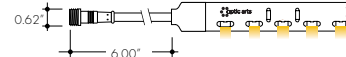
**SL68**

72" Soldered Leads, IP68 rated



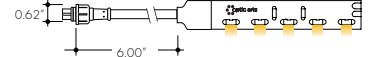
**LM**

Male Quick Connect End, IP67 rated



**LF**

Female Quick Connect End, IP67 rated



**NC**

No Connector



IP65 rated when used with SL65 selection



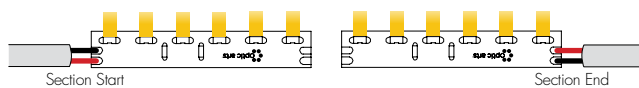
IP68 rated when used with SL68 selection

IP67 rated when used with M or F selection

**Positions**

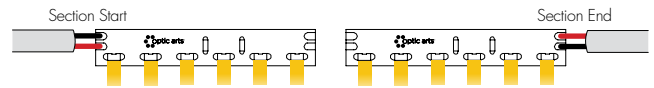
**LT**

Led top



**LB**

Led bottom



**Ordering code**

MODEL	CCT	LED POSITION	SECTION START <sup>1</sup>	SECTION END <sup>1</sup>	LENGTH
LLS36-WET-LineLED LLS36 Wet	27K-2700K 30K-3000K 60K-6000K	LT-LED Top LB-LED Bottom	SL65 -IP65 Soldered lead wires (72") SL68 -IP68 Soldered lead wires (72") SL -Soldered lead wires (72") LF -IP67 Female Quick Connect LM -IP67 Male Quick Connect NC-No Connector	SL65 -IP65 Soldered lead wires (72") SL68 -IP68 Soldered lead wires (72") SL -Soldered lead wires (72") LF -IP67 Female Quick Connect LM -IP67 Male Quick Connect NC-No Connector	Ordered in one foot increments. See chart above for max run length.

<sup>1</sup>- IP rating of strip is equal to the lowest IP rating of section start and end options.

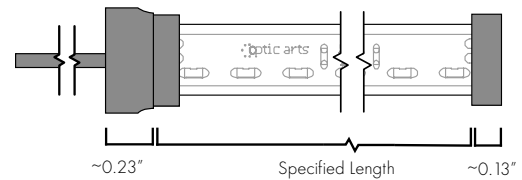
**Optic Arts® cuts all LLS36-WET to length per customer specifications.** Each length of LLS36-WET is fitted with a 6' (1.8M) wire lead (custom lengths available upon request) and packaged on a reel in an anti-static bag. Bags are labeled with fixture type, length and location (if applicable). Each piece of channel is labeled with fixture type, length and location (if applicable), and is bundled by fixture type.

- Due to the nature of the LLS36-WET product, specific lengths may not fall exactly on a cutting point. In this case, Optic Arts® will always cut to the smaller dimension unless otherwise specified.
- Some on-site assembly required. See installation guides for details.

LLS36-WET

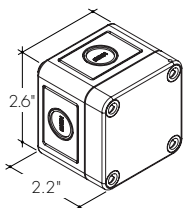


Width	0.42" (11.0mm)
Height	0.16" (4.50mm)
Width (Endcap)	0.50" (12.70mm)
Height (Endcap)	0.32" (7.94mm)
Max Run Length	33.00' (6096.00mm)

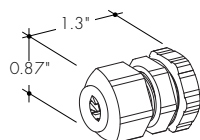


Accessories

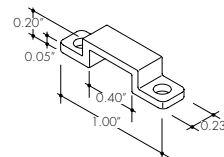
**LVSP-WET**  
Splice box: wet rated, low voltage, gray



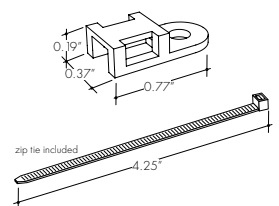
**LVSP-WET-CM**  
Splice box connector, low voltage, gray



**CL1**  
Mounting clip



**LL.ZIP**  
Cable/Wire Strain relief clip



Recommended every 12" when LineLED strip is facing down

## Voltage Drop Calculator

The below chart assumes nominal voltage of 24 Volts and a Voltage Drop Allowance of 3% through the wire

Wattage [W]	Maximum Wire Length From Power Supply to Start of Run [ft]						
	12 AWG	14 AWG	16 AWG	18 AWG	20 AWG	22 AWG	24 AWG
<b>5</b>	1088.2	684.4	430.3	270.6	170.2	107.1	67.3
<b>10</b>	544.1	342.2	215.1	135.3	85.1	53.5	33.7
<b>15</b>	362.7	228.1	143.4	90.2	56.7	35.7	22.4
<b>20</b>	272.0	171.1	107.6	67.7	42.6	26.8	16.8
<b>25</b>	217.6	136.9	86.1	54.1	34.0	21.4	13.5
<b>30</b>	181.4	114.1	71.7	45.1	28.4	17.8	11.2
<b>35</b>	155.5	97.8	61.5	38.7	24.3	15.3	9.6
<b>40</b>	136.0	85.5	53.8	33.8	21.3	13.4	8.4
<b>45</b>	120.9	76.0	47.8	30.1	18.9	11.9	7.5
<b>50</b>	108.8	68.4	43.0	27.1	17.0	10.7	6.7
<b>55</b>	98.9	62.2	39.1	24.6	15.5	9.7	6.1
<b>60</b>	90.7	57.0	35.9	22.6	14.2	8.9	5.6
<b>65</b>	83.7	52.6	33.1	20.8	13.1	8.2	5.2
<b>70</b>	77.7	48.9	30.7	19.3	12.2	7.6	4.8
<b>75</b>	72.5	45.6	28.7	18.0	11.3	7.1	4.5
<b>80</b>	68.0	42.8	26.9	16.9	10.6	6.7	4.2
<b>85</b>	64.0	40.3	25.3	15.9	10.0	6.3	4.0
<b>90</b>	60.5	38.0	23.9	15.0	9.5	5.9	3.7
<b>96</b>	56.7	35.6	22.4	14.1	8.9	5.6	3.5

**Power Supplies**

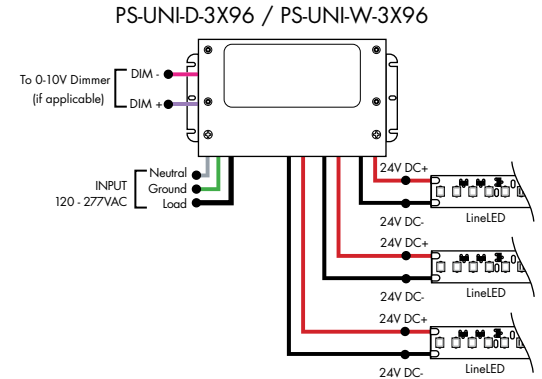
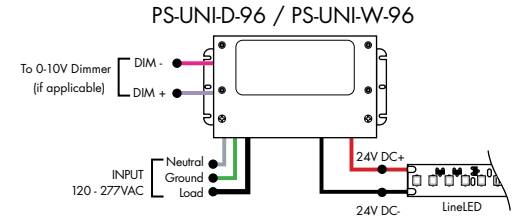
See Power Supply instructions and spec sheet for wiring information. For a complete list of compatible dimmers, see Compatible Dimming Chart on the Resources page.

**Ordering Code Universal Dimming Power Supplies 1% 120VAC - 277VAC**

MODEL	INPUT CONTROL	ENVIRONMENT	WATTAGE	OUTPUT
PS-Power Supply, 120-277VAC	UNI-0-10V Dimming, Phase Dimming	D-Dry W-Wet	30-30 Watts 60-60 Watts 96-96 Watts 3x96-3x96 Watts	24-24 VDC

Compatibility: View a complete list of compatible dimmers on product page [\(Link\)](#)

0-10V - 1% dimming  
MLV/ELV/TRIAC - 1% dimming, consult dimming compatibility chart



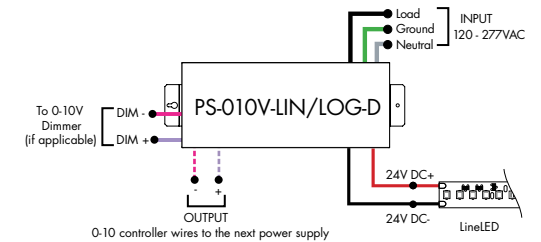
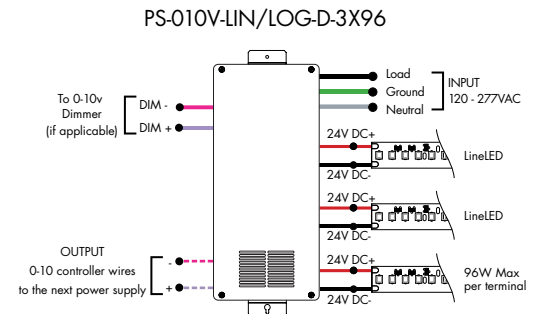
MODELS	PS-UNI-W-30W	PS-UNI-W-60W	PS-UNI-W-96W	PS-UNI-W-3X96W
<b>Length</b>	6.50"	7.40"	8.66"	11.85"
<b>Width</b>	3.73"	3.73"	3.73"	4.32"
<b>Depth</b>	1.61"	1.61"	1.61"	1.81"

MODELS	PS-UNI-D-30W	PS-UNI-D-60W	PS-UNI-D-96W	PS-UNI-D-3X96W
<b>Length</b>	8.77"	8.77"	8.11"	9.94"
<b>Width</b>	4.27"	4.27"	5.60"	7.61"
<b>Depth</b>	1.83"	1.83"	1.83"	2.02"

**Ordering Code 0-10V Dimming Power Supplies 0.1% 120VAC - 277VAC**

MODEL	INPUT CONTROL	ENVIRONMENT	WATTAGE	OUTPUT
PS-Power Supply, 120-277VAC	010V-LIN-0-10V Dimming (0.1%), Linear 010V-LOG-0-10V Dimming (0.1%), Logarithmic	D-Dry	96-96 Watts 3X96-3x96 Watts	24-24 VDC

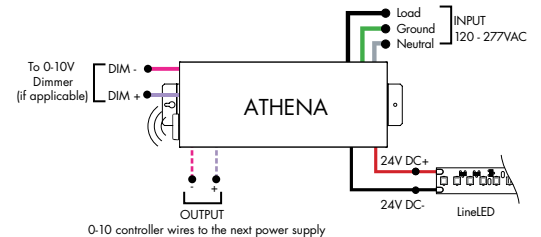
MODELS	96W	3X96
<b>Length</b>	14.40"	15.00"
<b>Width</b>	5.20"	6.62"
<b>Depth</b>	2.60"	4.45"



**Athena 0-10V LED Driver**

MODEL	INPUT CONTROL	ENVIRONMENT	WATTAGE	OUTPUT	FEATURE
PS-Power Supply, 120-277VAC	010V-LIN-0-10V Dimming, Linear 010V-LOG-0-10V Dimming, Logarithmic	D-Dry	96-96 W	24-24 VDC	AWNR-Athena

MODELS	96W
<b>Length</b>	14.40"
<b>Width</b>	5.20"
<b>Depth</b>	2.60"



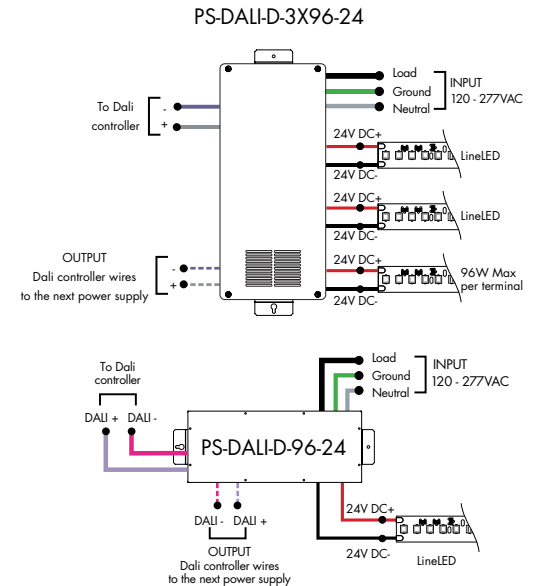
**Power Supplies**

See Power Supply instructions and spec sheet for wiring information. For a complete list of compatible dimmers, see Compatible Dimming Chart on the Resources page.

**Ordering Code DALI1 Dimming Power Supplies 0.1% 120VAC - 277VAC**

MODEL	INPUT CONTROL	ENVIRONMENT	WATTAGE	OUTPUT
PS-Power Supply, 120-277VAC	DALI-DALI (0.1%)	D-Dry	96-96 Watts 3X96-3X96 Watts	24-24 VDC

Model	96W	3X96
Length	14.40"	15.00"
Width	5.20"	6.62"
Depth	2.60"	4.56"

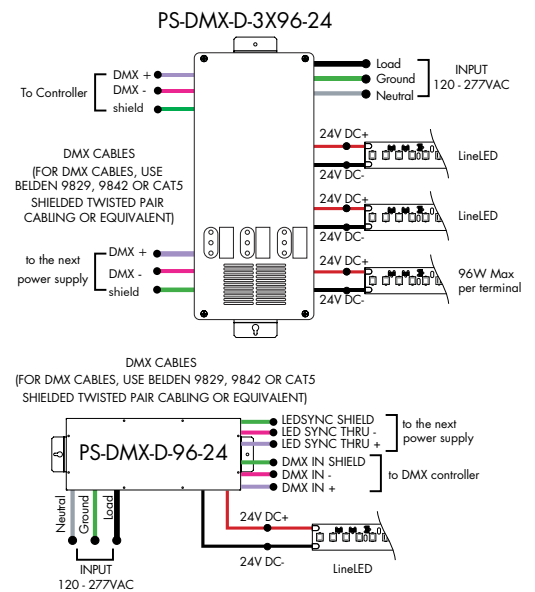


**Ordering Code DMX Dimming Power Supplies 0.1% 120VAC - 277VAC** Requires Zonal Control

MODEL	INPUT CONTROL	ENVIRONMENT	WATTAGE	OUTPUT
PS-Power Supply, 120-277VAC	DMX-DMX (0.1%)	D-Dry	96-96 Watts 3X96-3X96 Watts	24-24 VDC

\*Zonal control power supplies. Control multiple tapes/zones using DMX channels.

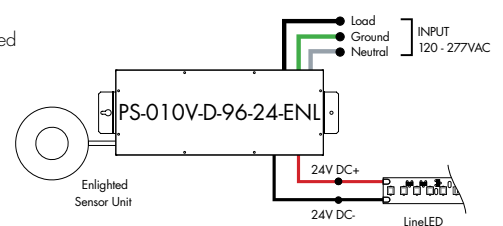
MODELS	96W	3X96
Length	14.40"	15.00"
Width	5.20"	6.62"
Depth	2.60"	4.56"



**Ordering Code Enlightened Enabled Dimming Power Supplies 1% 120VAC - 277VAC**

MODEL	INPUT CONTROL	ENVIRONMENT	WATTAGE	OUTPUT	FEATURE
PS-Power Supply, 120-277VAC	010V-0-10V Dimming (1%)	D-Dry	96-96 Watts	24-24 VDC	ENL-0-10V Enlightened

Model	96W
Length	14.40"
Width	5.20"
Depth	2.60"

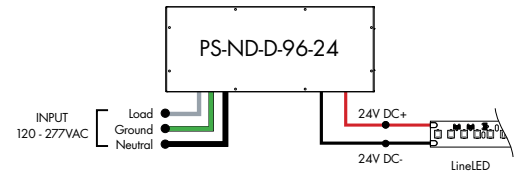


## Power Supplies

See Power Supply instructions and spec sheet for wiring information. For a complete list of compatible dimmers, see Compatible Dimming Chart on the Resources page.

### Ordering Code Non-Dimming Power Supply 120VAC - 277VAC

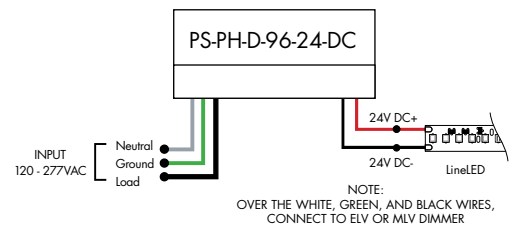
MODEL	INPUT CONTROL	ENVIRONMENT	WATTAGE	OUTPUT
PS - Power Supply, 120-277VAC	ND - Non Dimming	D - Dry	96-96 Watts	24 - 24 VDC



MODELS	96W
Length	14.40"
Width	5.20"
Depth	2.60"

### Ordering Code Phase Dimming Power Supply 1% 120VAC - 277VAC

MODEL	INPUT CONTROL	ENVIRONMENT	WATTAGE	OUTPUT	OUTPUT CONTROL
PS - Power Supply, 120-277VAC	PH - Phase Dimming (Triac, ELV, MLV)	D - Dry	96-96 Watts	24-24 VDC	DC - Direct Current

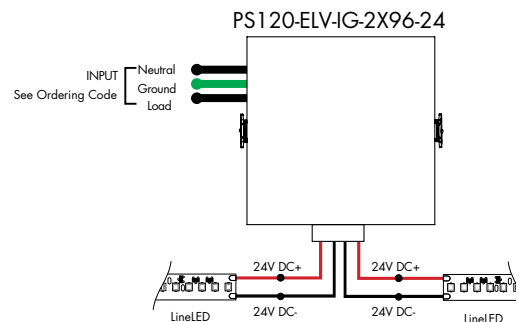


MLV/ELV/TRIAC - 1% dimming, consult dimming compatibility chart ([link](#))

MODELS	96W
Length	8.25"
Width	4.10"
Depth	1.56"

### Ordering Code In-Ground Power Supplies

MODEL	INPUT CONTROL	ENVIRONMENT	WATTAGE	OUTPUT
PS120 - Power Supply, 120VAC PS240 - Power Supply, 240VAC PS277 - Power Supply, 277VAC	ELV - ELV Dimming (1%)	IG - In Ground	2X96 - 2X96 Watts	24 - 24 VDC



MODELS	2X96W
Length	8.40"
Width	8.30"
Depth	8.10"

**Power Supplies**

See Power Supply instructions and spec sheet for wiring information. For a complete list of compatible dimmers, see Compatible Dimming Chart on the Resources page.



Luminii is a Lutron OEM Advantage Partner

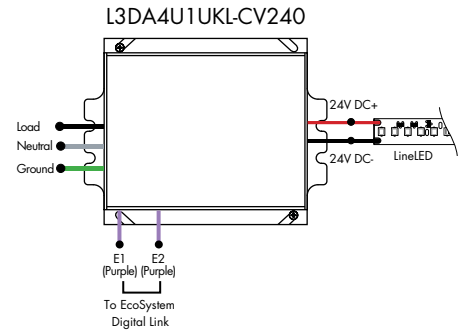
**Lutron Power Supplies 1%**

MODEL

**L3DA4U1UKL-CV240**

HiLume™ 1% EcoSystem Voltage LED driver  
40W max

MODELS	L3DA4U1UKL-CV240
<b>Length</b>	4.98"
<b>Width</b>	4.00"
<b>Depth</b>	2.62"



Luminii is a Lutron OEM Advantage Partner

**Lutron Power Supplies 0.1%**

MODEL

**L3D0-96W24V-U**

HiLume™ 0.1% EcoSystem Voltage LED Driver with Soft-On, Fade-to-Black™  
96W max

MODELS	L3D0
<b>Length</b>	10.50"
<b>Width</b>	5.50"
<b>Depth</b>	2.00"

