

Features

LLS36 projects light sideways instead of perpendicular to the surface. It's a great choice for bending around curved surfaces when upward or downward projection of light is desired. 36 LEDs per foot.



Mounting

LED strip is equipped with 3M™ adhesive transfer tape (9472LE).

Applications

Indoor only - millwork, cove, architectural reveals, undercabinet, display case, handrail, accent lighting.

Approvals

Class 2 damp listed

Operating voltage

24 VDC

Average Life (L70)

50,000 hours

Warranty

7 years

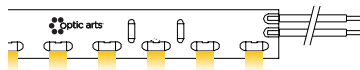


Technical Information

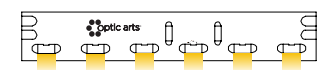
TAPE	LLS36
Light output (3000K)	142 lm/ft
Average power consumption (for a 4' section)	2.9 W/ft
Efficacy	49 lm/W
Cutting increment	1.97"
Pitch length	0.33"
Maximum run length (in series)	32 ft
Dimensions	0.39" W x 0.05" H

Section Start/End Options

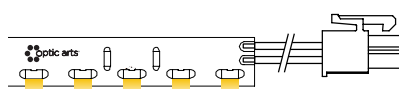
SL
Soldered lead wires (72")



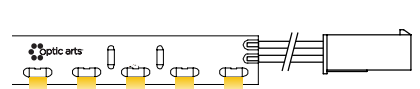
NC
No connector



LM
Lead Male 3" cable

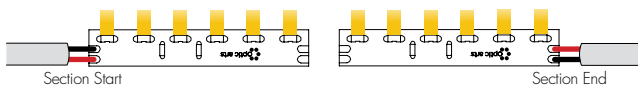


LF
Lead Female 3" cable

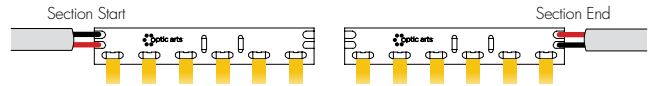


Positions

LT
LED top



LB
LED bottom



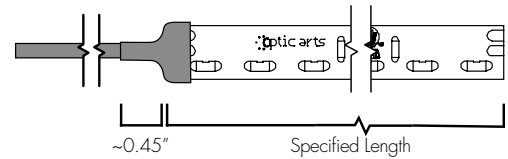
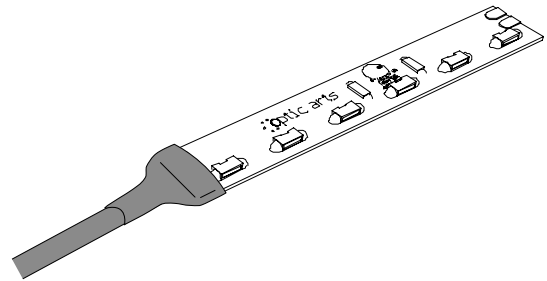
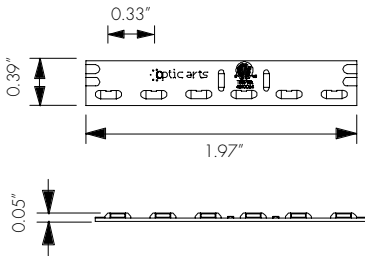
Ordering code

MODEL	CCT	LED POSITION	SECTION START	SECTION END	LENGTH
LLS36 - LineLED S36	27K - 2700K 30K - 3000K 35K - 3500K 60K - 6000K	LT - LED top LB - LED bottom	LF - Lead female LM - Lead male SL - Soldered lead wires (72") NC - No connector	LF - Lead female LM - Lead male SL - Soldered lead wires (72") NC - No connector	Ordered in one foot increments. See chart above for max run length.

Optic Arts® cuts all LLS36 to length per customer specifications. Each length of LLS36 is fitted with a 6' (1.8M) wire lead (custom lengths available upon request) and packaged on a reel in an anti-static bag. Bags are labeled with fixture type, length and location (if applicable). Each piece of channel is labeled with fixture type, length and location (if applicable), and is bundled by fixture type.

- Due to the nature of the LLS36 product, specific lengths may not fall exactly on a cutting point. In this case, Optic Arts® will always cut to the smaller dimension unless otherwise specified.
- Some on-site assembly required. See installation guides for details.

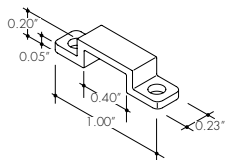
LLS36



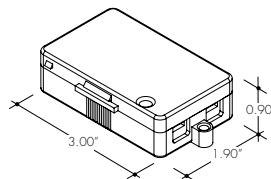
Width	0.39" (10.0mm)
Height	0.05" (1.4mm)
Cuttible Segment Length	1.97" (50.00mm)
Pitch Length	0.33" (8.25mm)
Max Run Length	32.00' (9753.6mm)

Accessories

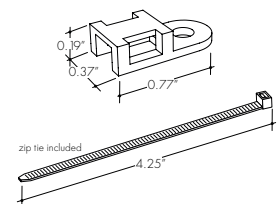
CL1
Mounting clip



LVSP-4T-BK
Low Voltage, 4 Terminal Splice Box, Black



LL.ZIP
Cable/Wire Strain relief clip



Recommended every 12" when LineLED strip is facing down

Voltage Drop Calculator

The below chart assumes nominal voltage of 24 Volts and a Voltage Drop Allowance of 3% through the wire

Wattage [W]	Maximum Wire Length From Power Supply to Start of Run [ft]						
	12 AWG	14 AWG	16 AWG	18 AWG	20 AWG	22 AWG	24 AWG
5	1088.2	684.4	430.3	270.6	170.2	107.1	67.3
10	544.1	342.2	215.1	135.3	85.1	53.5	33.7
15	362.7	228.1	143.4	90.2	56.7	35.7	22.4
20	272.0	171.1	107.6	67.7	42.6	26.8	16.8
25	217.6	136.9	86.1	54.1	34.0	21.4	13.5
30	181.4	114.1	71.7	45.1	28.4	17.8	11.2
35	155.5	97.8	61.5	38.7	24.3	15.3	9.6
40	136.0	85.5	53.8	33.8	21.3	13.4	8.4
45	120.9	76.0	47.8	30.1	18.9	11.9	7.5
50	108.8	68.4	43.0	27.1	17.0	10.7	6.7
55	98.9	62.2	39.1	24.6	15.5	9.7	6.1
60	90.7	57.0	35.9	22.6	14.2	8.9	5.6
65	83.7	52.6	33.1	20.8	13.1	8.2	5.2
70	77.7	48.9	30.7	19.3	12.2	7.6	4.8
75	72.5	45.6	28.7	18.0	11.3	7.1	4.5
80	68.0	42.8	26.9	16.9	10.6	6.7	4.2
85	64.0	40.3	25.3	15.9	10.0	6.3	4.0
90	60.5	38.0	23.9	15.0	9.5	5.9	3.7
96	56.7	35.6	22.4	14.1	8.9	5.6	3.5

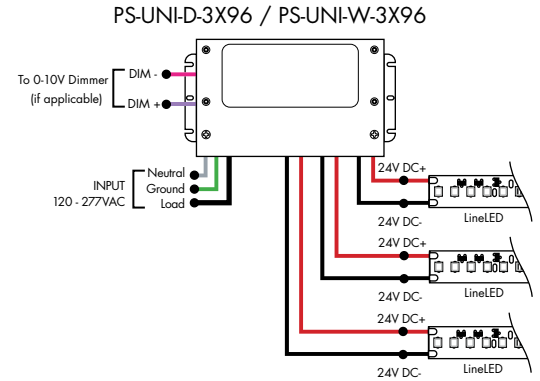
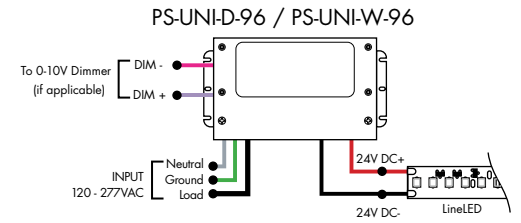
Power Supplies

See Power Supply instructions and spec sheet for wiring information. For a complete list of compatible dimmers, see Compatible Dimming Chart on the Resources page.

Ordering Code Universal Dimming Power Supplies 1% 120VAC - 277VAC

MODEL	INPUT CONTROL	ENVIRONMENT	WATTAGE	OUTPUT
PS-Power Supply, 120-277VAC	UNI-0-10V Dimming, Phase Dimming	D-Dry W-Wet	30-30 Watts 60-60 Watts 96-96 Watts 3x96-3x96 Watts	24-24 VDC

Compatibility: View a complete list of compatible dimmers on product page [\(Link\)](#) 0-10V - 1% dimming MLV/ELV/TRIAC - 1% dimming, consult dimming compatibility chart



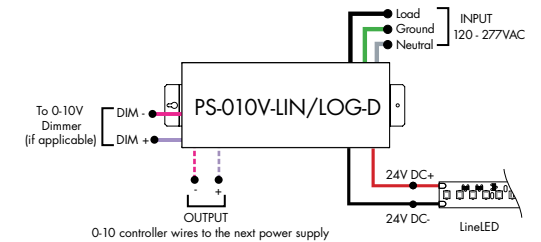
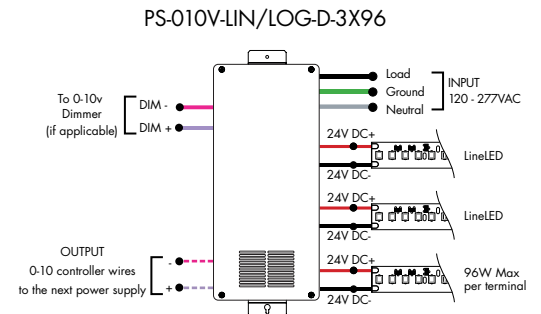
MODELS	PS-UNI-W-30W	PS-UNI-W-60W	PS-UNI-W-96W	PS-UNI-W-3X96W
Length	6.50"	7.40"	8.66"	11.85"
Width	3.73"	3.73"	3.73"	4.32"
Depth	1.61"	1.61"	1.61"	1.81"

MODELS	PS-UNI-D-30W	PS-UNI-D-60W	PS-UNI-D-96W	PS-UNI-D-3X96W
Length	8.77"	8.77"	8.11"	9.94"
Width	4.27"	4.27"	5.60"	7.61"
Depth	1.83"	1.83"	1.83"	2.02"

Ordering Code 0-10V Dimming Power Supplies 0.1% 120VAC - 277VAC

MODEL	INPUT CONTROL	ENVIRONMENT	WATTAGE	OUTPUT
PS-Power Supply, 120-277VAC	010V-LIN-0-10V Dimming (0.1%), Linear 010V-LOG-0-10V Dimming (0.1%), Logarithmic	D-Dry	96-96 Watts 3X96-3x96 Watts	24-24 VDC

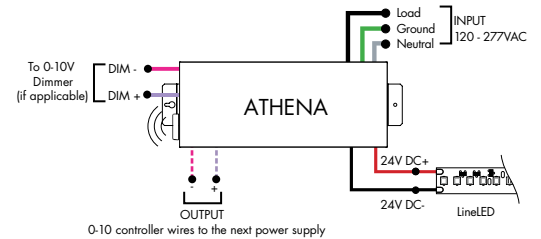
MODELS	96W	3X96
Length	14.40"	15.00"
Width	5.20"	6.62"
Depth	2.60"	4.45"



Athena 0-10V LED Driver

MODEL	INPUT CONTROL	ENVIRONMENT	WATTAGE	OUTPUT	FEATURE
PS-Power Supply, 120-277VAC	010V-LIN-0-10V Dimming, Linear 010V-LOG-0-10V Dimming, Logarithmic	D-Dry	96-96 W	24-24 VDC	AWNR-Athena

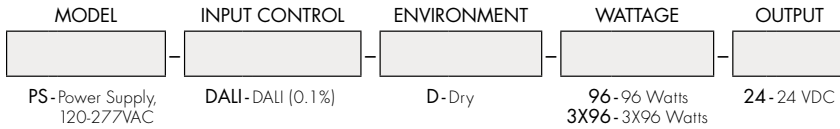
MODELS	96W
Length	14.40"
Width	5.20"
Depth	2.60"



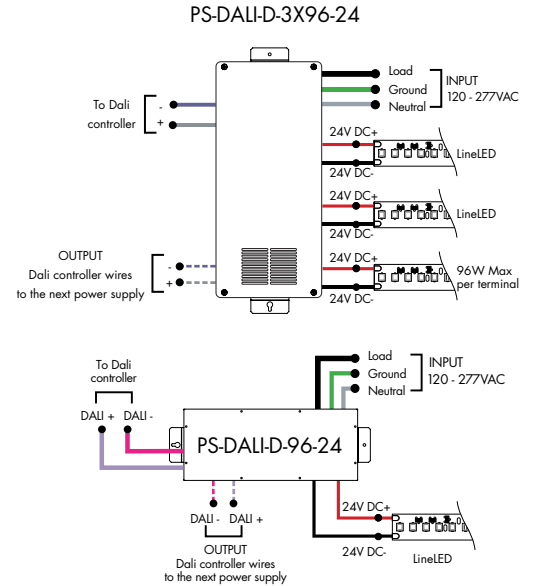
Power Supplies

See Power Supply instructions and spec sheet for wiring information. For a complete list of compatible dimmers, see Compatible Dimming Chart on the Resources page.

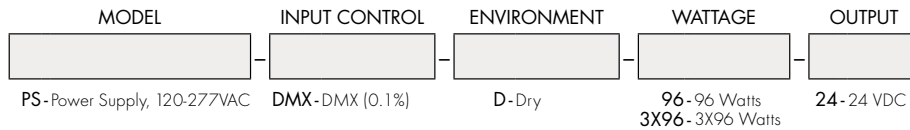
Ordering Code DALI1 Dimming Power Supplies 0.1% 120VAC - 277VAC



Model	96W	3X96
Length	14.40"	15.00"
Width	5.20"	6.62"
Depth	2.60"	4.56"

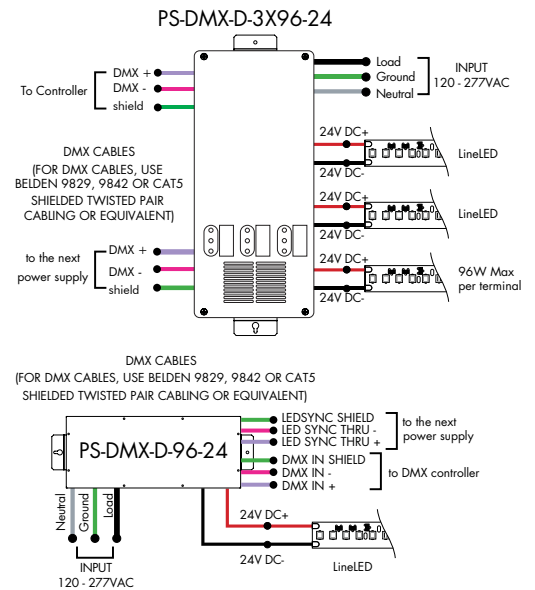


Ordering Code DMX Dimming Power Supplies 0.1% 120VAC - 277VAC Requires Zonal Control

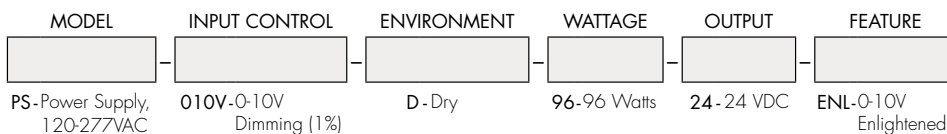


*Zonal control power supplies. Control multiple tapes/zones using DMX channels.

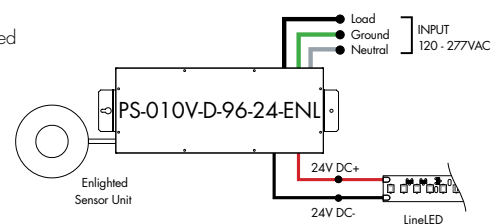
MODELS	96W	3X96
Length	14.40"	15.00"
Width	5.20"	6.62"
Depth	2.60"	4.56"



Ordering Code Enlighted Enabled Dimming Power Supplies 1% 120VAC - 277VAC



Model	96W
Length	14.40"
Width	5.20"
Depth	2.60"

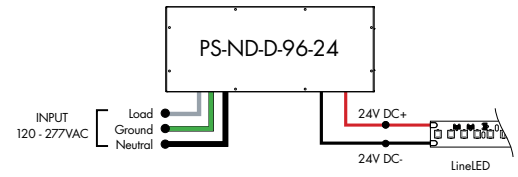


Power Supplies

See Power Supply instructions and spec sheet for wiring information. For a complete list of compatible dimmers, see Compatible Dimming Chart on the Resources page.

Ordering Code Non-Dimming Power Supply 120VAC - 277VAC

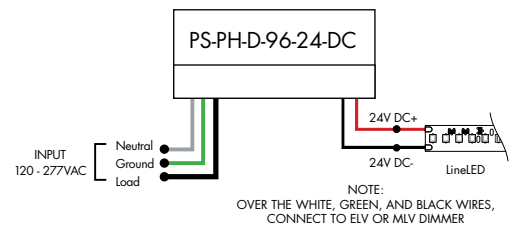
MODEL	INPUT CONTROL	ENVIRONMENT	WATTAGE	OUTPUT
PS - Power Supply, 120-277VAC	ND - Non Dimming	D - Dry	96-96 Watts	24 - 24 VDC



MODELS	96W
Length	14.40"
Width	5.20"
Depth	2.60"

Ordering Code Phase Dimming Power Supply 1% 120VAC - 277VAC

MODEL	INPUT CONTROL	ENVIRONMENT	WATTAGE	OUTPUT	OUTPUT CONTROL
PS - Power Supply, 120-277VAC	PH - Phase Dimming (Triac, ELV, MLV)	D - Dry	96-96 Watts	24-24 VDC	DC - Direct Current

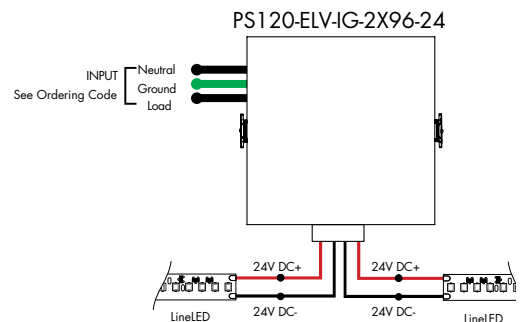


MLV/ELV/TRIAC - 1% dimming, consult dimming compatibility chart ([link](#))

MODELS	96W
Length	8.25"
Width	4.10"
Depth	1.56"

Ordering Code In-Ground Power Supplies

MODEL	INPUT CONTROL	ENVIRONMENT	WATTAGE	OUTPUT
PS120 - Power Supply, 120VAC PS240 - Power Supply, 240VAC PS277 - Power Supply, 277VAC	ELV - ELV Dimming (1%)	IG - In Ground	2X96 - 2X96 Watts	24 - 24 VDC



MODELS	2X96W
Length	8.40"
Width	8.30"
Depth	8.10"

Power Supplies

See Power Supply instructions and spec sheet for wiring information. For a complete list of compatible dimmers, see Compatible Dimming Chart on the Resources page.



Luminii is a Lutron OEM Advantage Partner

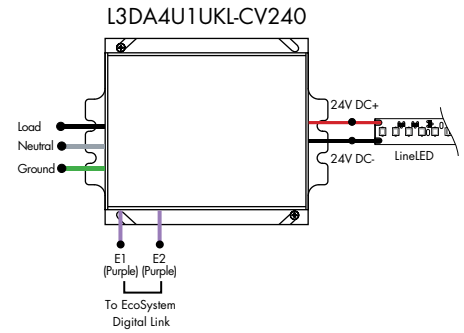
Lutron Power Supplies 1%

MODEL

L3DA4U1UKL-CV240

HiLume™ 1% EcoSystem Voltage LED driver
40W max

MODELS	L3DA4U1UKL-CV240
Length	4.98"
Width	4.00"
Depth	2.62"



Luminii is a Lutron OEM Advantage Partner

Lutron Power Supplies 0.1%

MODEL

L3D0-96W24V-U

HiLume™ 0.1% EcoSystem Voltage LED Driver with Soft-On, Fade-to-Black™
96W max

MODELS	L3D0
Length	10.50"
Width	5.50"
Depth	2.00"

