

LineLED 24V - Installation Instructions

Models LLS36



7777 N. Merrimac Ave
Niles, IL 60714
T 224.333.6033
F 224.757.7557
info@luminii.com
www.luminii.com

Please read complete instruction prior to installation and keep for future reference!

1. LLS36 must be paired with an approved Luminii extrusion
2. Product should be installed by a qualified electrician.
3. Prior to installation ensure power is off at fuse box to prevent electrical shock.
4. Use only with Class 2 power unit. *Utiliser seulement avec Classe 2 unite d'alimentation electrique.*
5. Suitable for Damp Locations. *Convient Aux Emplacements Humides.*
6. For under-cabinet or shelf mount.
7. Conforms to UL STD 2108. Certified to CSA STD C22.2 No.250.0.

Page 1 of 3

Attention: Always test LineLED operation before installing.
Connect LineLED to power supply to ensure it is working properly and no damage has occurred during shipping.

1 **1.1** Clean the area thoroughly where the LineLED will be installed.

Remove the paper backing from the LineLED and firmly press down making sure there are no air bubbles that can cause surface irregularities. Do not remove the adhesive! Removing the adhesive may cause arcing of the Line LED tape!

NOTE - When removing backing & laying LineLED to surface avoid installing with ripples & bending over 90°.

NOTE - Avoid bending near 1" on both side of the soldered joints.

2 **2.1** If length of LineLED needs to be adjusted on site, simply cut the LED strip in between solder pads. Always cut from end with no connector / wire leads.

solder pads

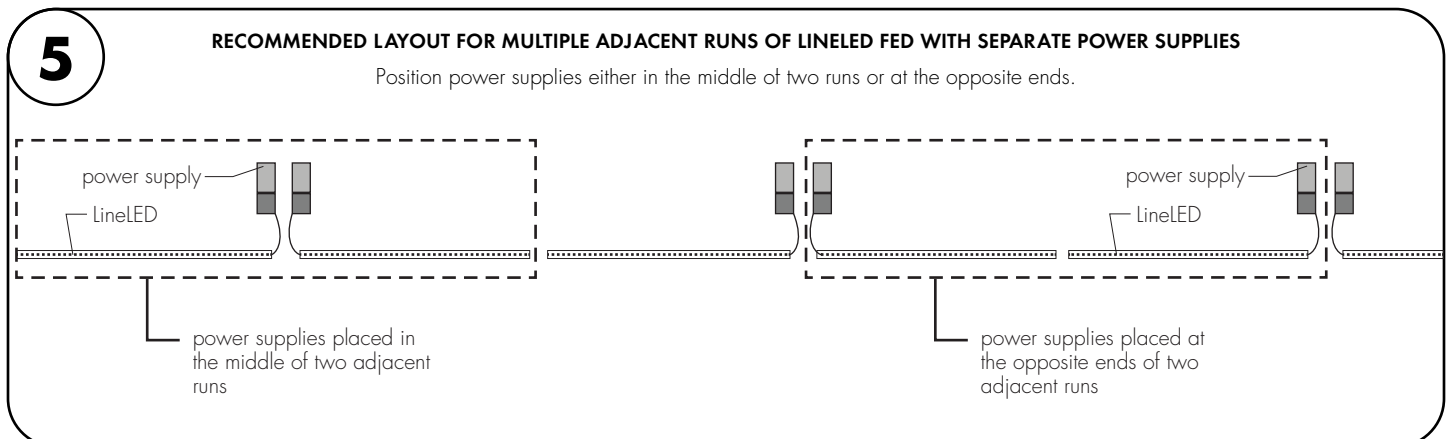
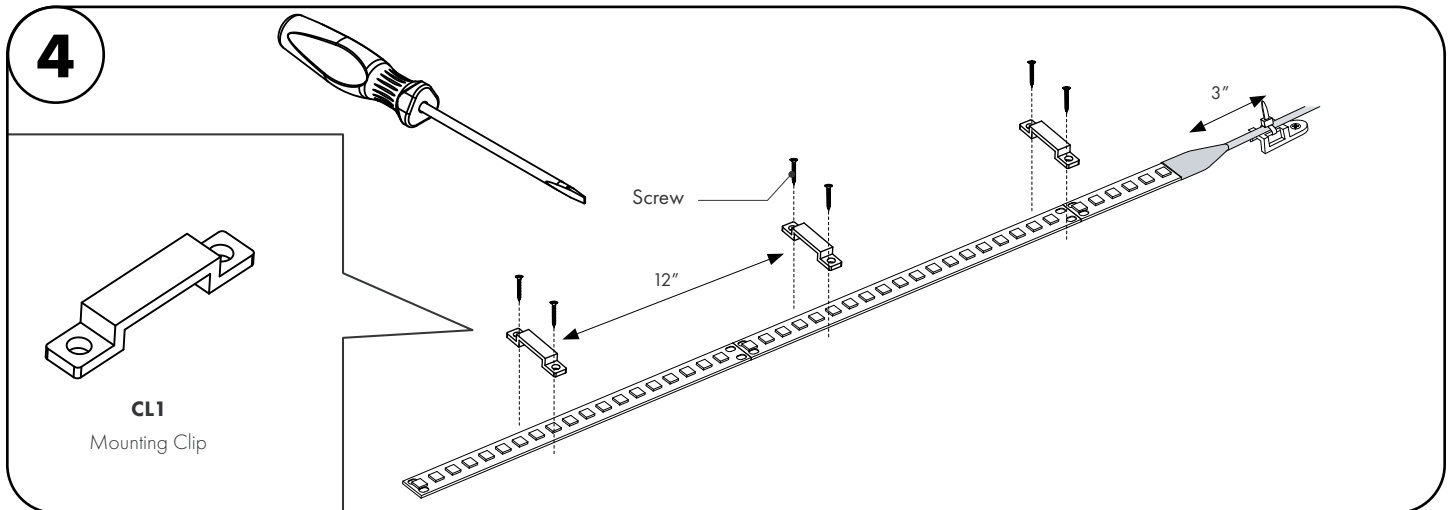
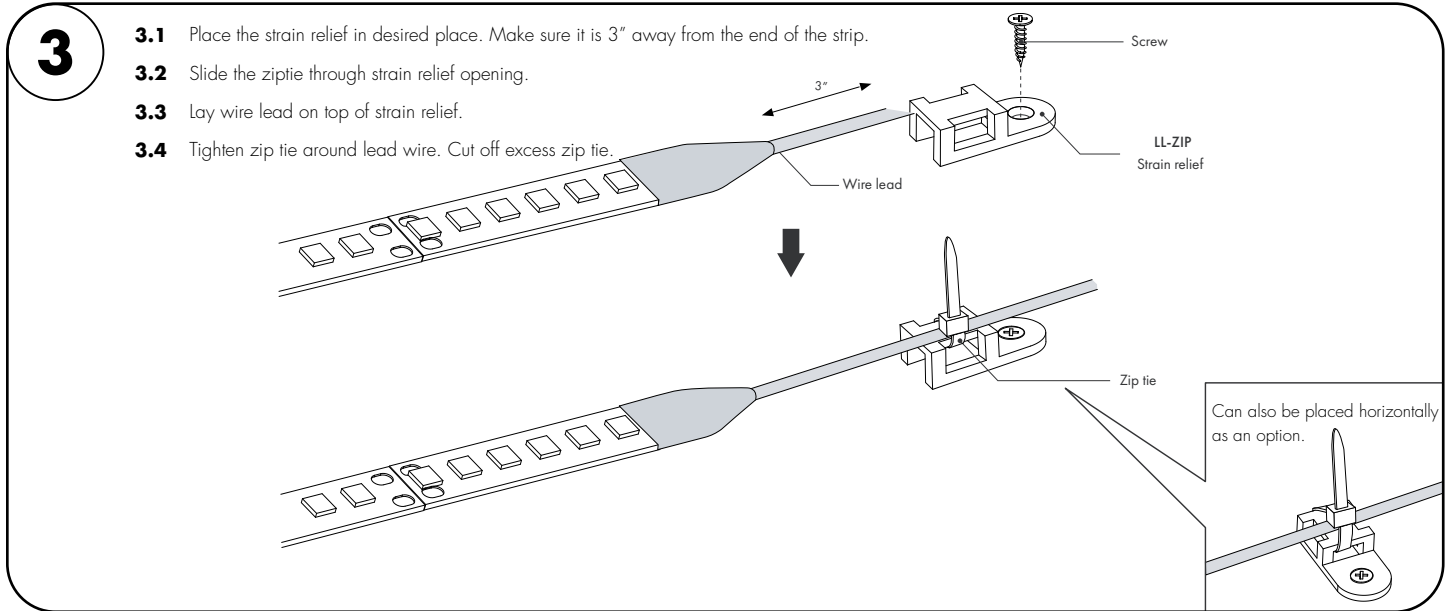
LineLED 24V - Installation Instructions

Models LLS36

Please read complete instruction prior to installation and keep for future reference!

1. LLS36 must be paired with an approved Luminii extrusion
2. Product should be installed by a qualified electrician.
3. Prior to installation ensure power is off at fuse box to prevent electrical shock.
4. Use only with Class 2 power unit. *Utiliser seulement avec Classe 2 unite d'alimentation electrique.*
5. Suitable for Damp Locations. *Convient Aux Emplacements Humides.*
6. For under-cabinet or shelf mount.
7. Conforms to UL STD 2108. Certified to CSA STD C22.2 No.250.0.

Page 2 of 3



LineLED 24V - Installation Instructions

Models LLS36

Please read complete instruction prior to installation and keep for future reference!

1. LLS36 must be paired with an approved Luminii extrusion
2. Product should be installed by a qualified electrician.
3. Prior to installation ensure power is off at fuse box to prevent electrical shock.
4. Use only with Class 2 power unit. *Utiliser seulement avec Classe 2 unite d'alimentation electrique.*
5. Suitable for Damp Locations. *Convient Aux Emplacements Humides.*
6. For under-cabinet or shelf mount.
7. Conforms to UL STD 2108. Certified to CSA STD C22.2 No.250.0.



7777 N. Merrimac Ave
Niles, IL 60714
T 224.333.6033
F 224.757.7557
info@luminii.com
www.luminii.com

Page 3 of 3

Power Supply Wiring Diagram

Note: Prior to installation all 24VDC wires must be present near fixture. Refer to the power supply installation instructions for additional information.



Static White
Wiring Diagram PDF