

LineLED Wet 24V - Installation Instructions

Models LLHE48WET-T



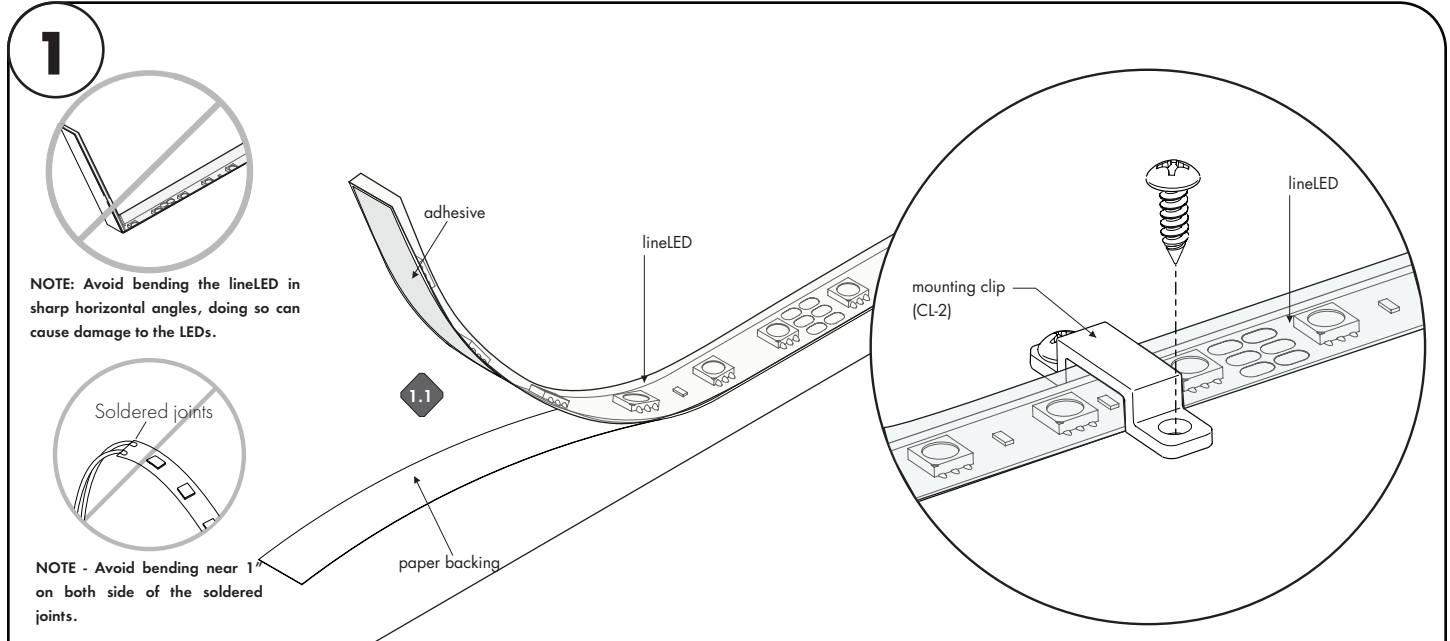
7777 Merrimac Ave
Niles, IL 60714
T 224.333.6033
F 224.757.7557
info@luminii.com
www.luminii.com

REVO.3
10092024

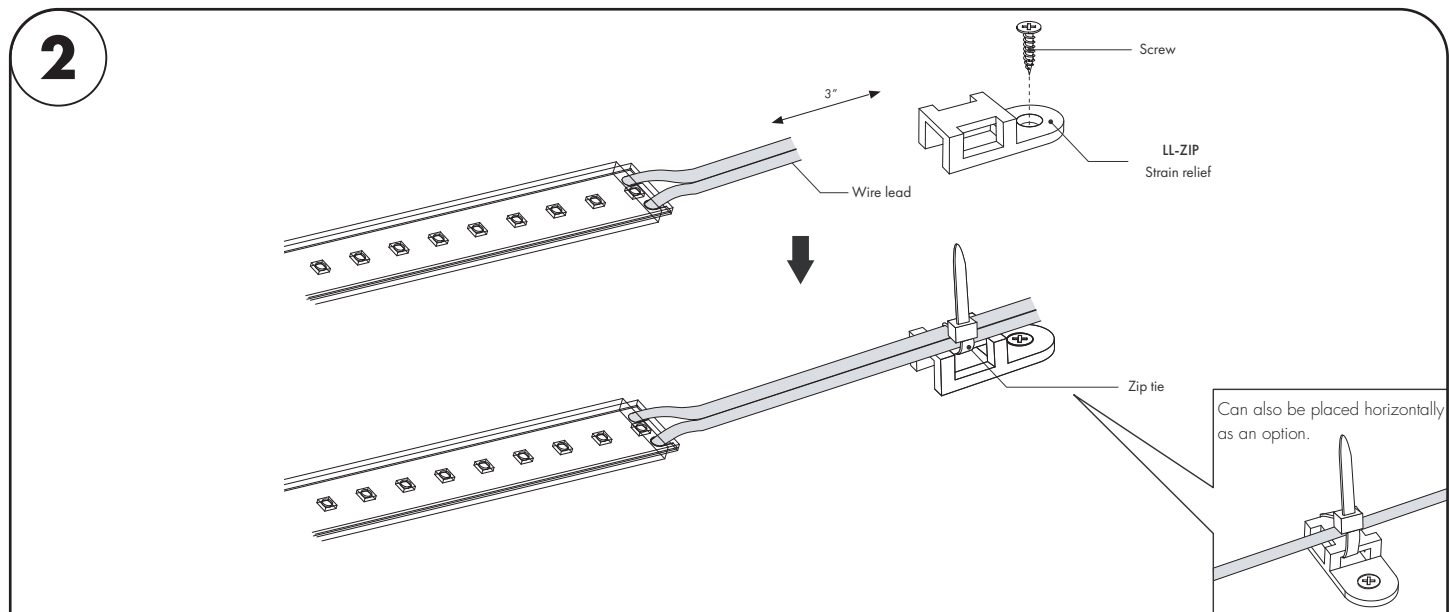
1 / 2

Please read all instructions prior to installation and keep for future reference!

1. PRODUCT SHOULD BE INSTALLED BY A QUALIFIED ELECTRICIAN
2. ENSURE POWER IS OFF AT FUSE BOX PRIOR TO INSTALLATION TO PREVENT ELECTRICAL SHOCK
3. USE ONLY WITH CLASS 2 POWER UNIT
4. SUITABLE FOR WET LOCATIONS
5. FOR UNDER-CABINET OR SHELF MOUNT
6. AVOID EXPOSURE TO DIRECT SUNLIGHT
7. NOT SUITABLE FOR APPLICATIONS WHERE LEDs CAN BECOME SUBMERGED



- 1.1 Remove paper backing from the lineLED and firmly press down. Making sure there are no air bubbles that can cause surface irregularities to the lineLED. Do not remove the adhesive, removing the adhesive may cause arcing of the lineLED tape.
- 1.2 If necessary, add a mounting clip every 12" for additional support.



- 2.1 Place the strain relief in desired place. Make sure it is 3" away from the end of the strip.
- 2.2 Slide the zip tie through strain relief opening.
- 2.3 Lay wire lead on top of strain relief.
- 2.4 Tighten zip tie around lead wire. Cut off excess zip tie.

LineLED Wet 24V - Installation Instructions

Models LLHE48WET-T

Please read all instructions prior to installation and keep for future reference!

1. PRODUCT SHOULD BE INSTALLED BY A QUALIFIED ELECTRICIAN
2. ENSURE POWER IS OFF AT FUSE BOX PRIOR TO INSTALLATION TO PREVENT ELECTRICAL SHOCK
3. USE ONLY WITH CLASS 2 POWER UNIT
4. SUITABLE FOR WET LOCATIONS
5. FOR UNDER-CABINET OR SHELF MOUNT
6. AVOID EXPOSURE TO DIRECT SUNLIGHT
7. NOT SUITABLE FOR APPLICATIONS WHERE LEDS CAN BECOME SUBMERGED



REVO.3
10092024

2 / 2



7777 Merrimac Ave
Niles, IL 60714
T 224.333.6033
F 224.757.7557
info@luminii.com
www.luminii.com

Power Supply Wiring Diagram

Note: Prior to installation all 24VDC wires must be present near fixture. Refer to the power supply installation instructions for additional information.



Static White
Wiring Diagram PDF