

LineLED 24V - Installation Instructions

Models LLHE48-XX

Please read all instructions prior to installation and keep for future reference!

1. LLHE48-HO MUST BE PAIRED WITH AN APPROVED LUMINII EXTRUSION
2. PRODUCT SHOULD BE INSTALLED BY A QUALIFIED ELECTRICIAN
3. ENSURE POWER IS OFF AT FUSE BOX PRIOR TO INSTALLATION TO PREVENT ELECTRICAL SHOCK
4. USE ONLY WITH CLASS 2 POWER UNIT.
5. SUITABLE FOR DAMP LOCATIONS
6. FOR UNDER-CABINET OR SHELF MOUNT
7. CONFORMS TO UL STD 2108.
CERTIFIED TO CSA STD C22.2 NO.250.0.



REVO.2
10082024

1 / 3



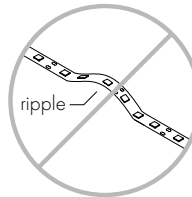
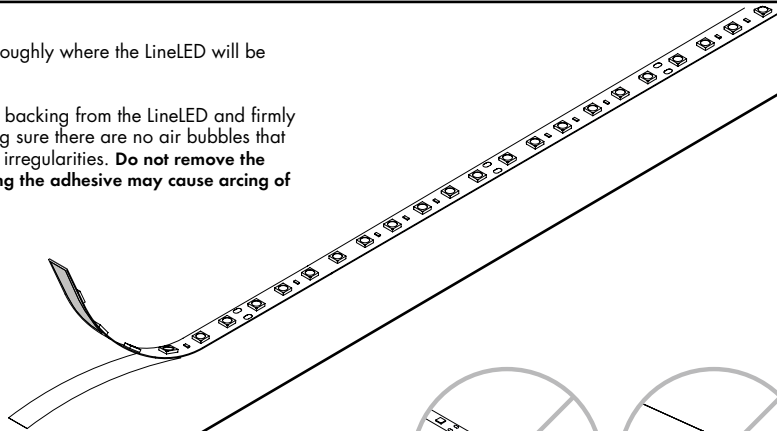
7777 Merrimac Ave
Niles, IL 60714
T 224.333.6033
F 224.757.7557
info@luminii.com
www.luminii.com

ATTENTION: ALWAYS TEST LINELED OPERATION BEFORE INSTALLATION. CONNECT LINELED TO POWER SUPPLY TO ENSURE IT IS WORKING PROPERLY AND NO DAMAGE HAS OCCURED DURING SHIPPING.

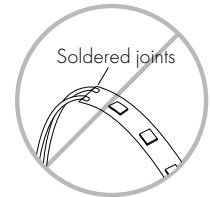
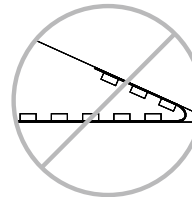
1

- 1.1 Clean the area thoroughly where the LineLED will be installed.

Remove the paper backing from the LineLED and firmly press down making sure there are no air bubbles that can cause surface irregularities. **Do not remove the adhesive! Removing the adhesive may cause arcing of the Line LED tape!**



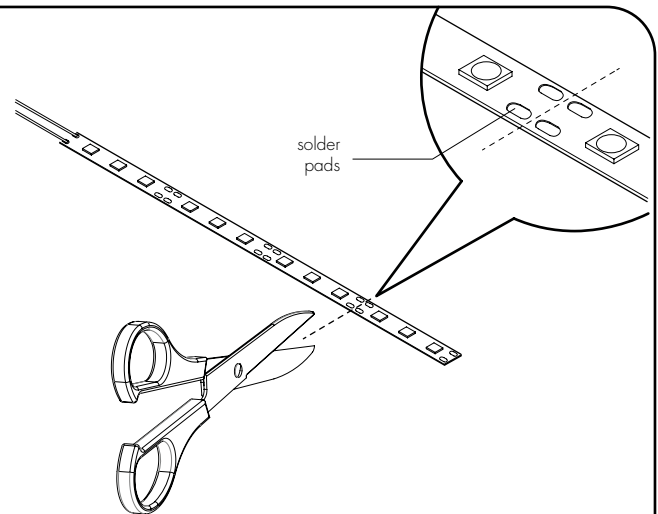
NOTE - When removing backing & laying LineLED to surface avoid installing with ripples & bending over 90°.



NOTE - Avoid bending near 1" on both side of the soldered joints.

2

- 2.1 If length of LineLED needs to be adjusted on site, simply cut the LED strip in between solder pads. Always cut from end with no connector / wire leads.



LineLED 24V - Installation Instructions

Models LLHE48-XX



7777 Merrimac Ave
Niles, IL 60714
T 224.333.6033
F 224.757.7557
info@luminii.com
www.luminii.com

REVO.2
10082024

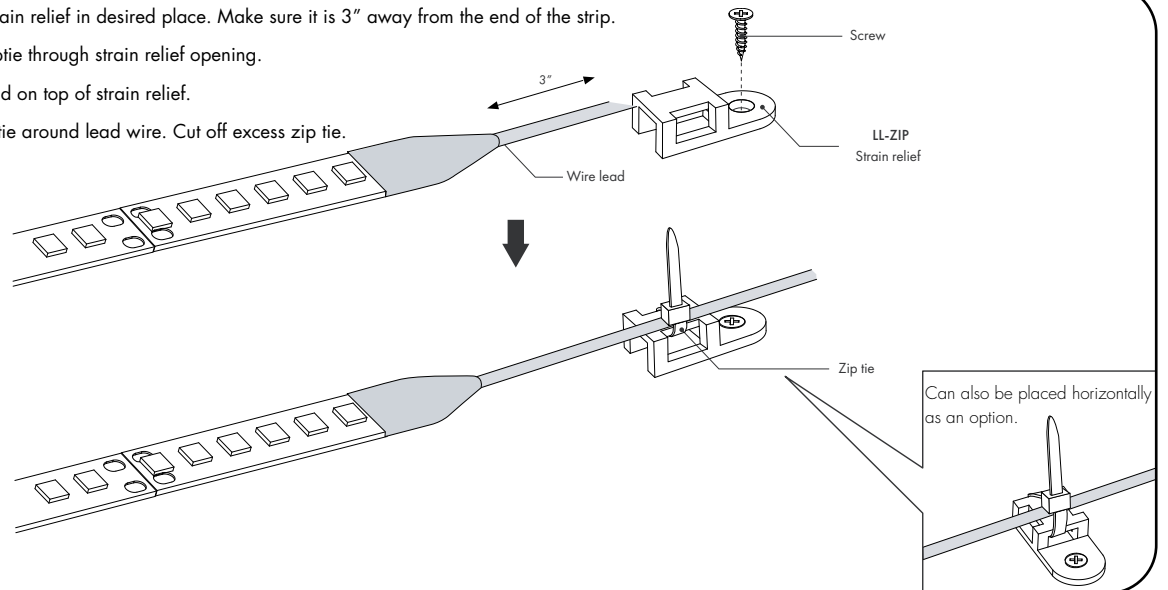
2 / 3

Please read all instructions prior to installation and keep for future reference!

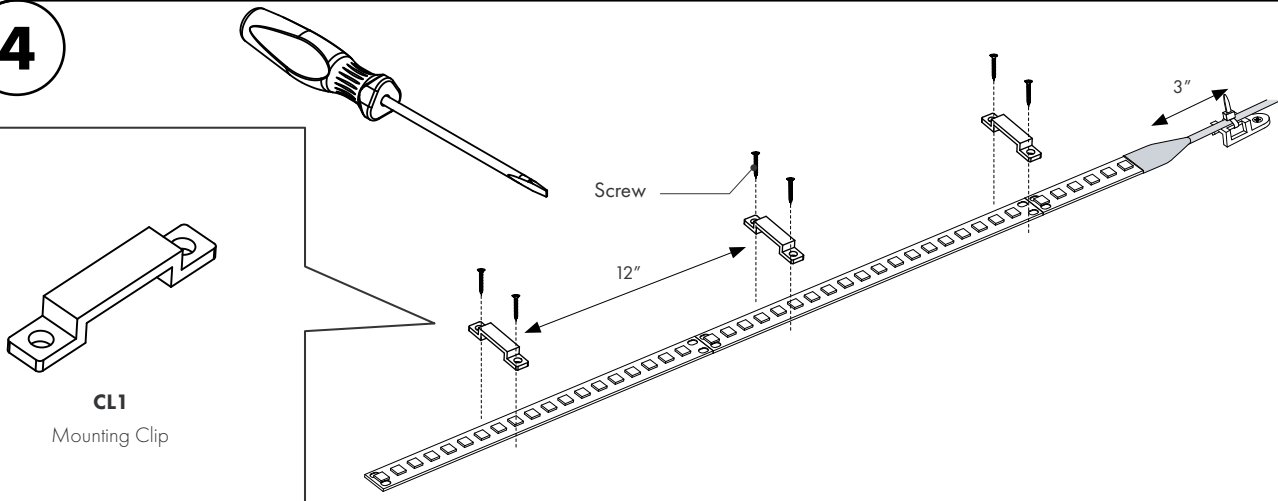
1. LLHE48-HO MUST BE PAIRED WITH AN APPROVED LUMINII EXTRUSION
2. PRODUCT SHOULD BE INSTALLED BY A QUALIFIED ELECTRICIAN
3. ENSURE POWER IS OFF AT FUSE BOX PRIOR TO INSTALLTION TO PREVENT ELECTRICAL SHOCK
4. USE ONLY WITH CLASS 2 POWER UNIT.
5. SUITABLE FOR DAMP LOCATIONS
6. FOR UNDER-CABINET OR SHELF MOUNT
7. CONFORMS TO UL STD 2108.
CERTIFIED TO CSA STD C22.2 NO.250.0.

3

- 3.1 Place the strain relief in desired place. Make sure it is 3" away from the end of the strip.
- 3.2 Slide the ziptie through strain relief opening.
- 3.3 Lay wire lead on top of strain relief.
- 3.4 Tighten zip tie around lead wire. Cut off excess zip tie.



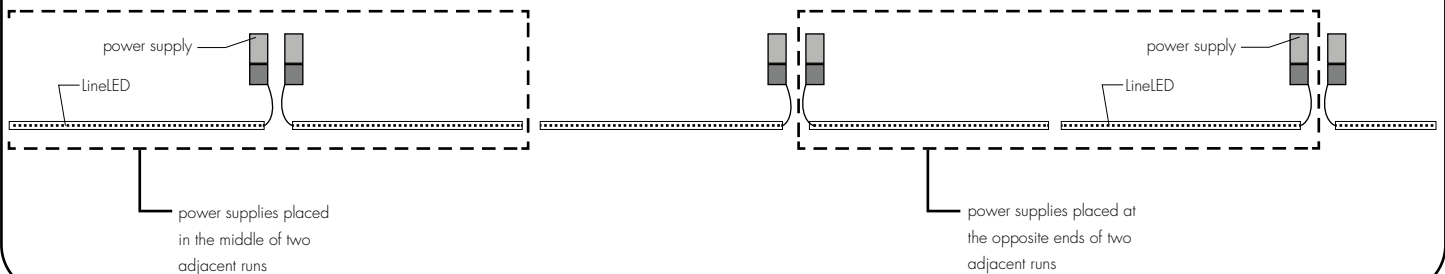
4



5

RECOMMENDED LAYOUT FOR MULTIPLE ADJACENT RUNS OF LINELED FED WITH SEPARATE POWER SUPPLIES

Position power supplies either in the middle of both runs or at opposite ends.



LineLED 24V - Installation Instructions

Models LLHE48-XX

Please read all instructions prior to installation and keep for future reference!

1. LLHE48-HO MUST BE PAIRED WITH AN APPROVED LUMINII EXTRUSION
2. PRODUCT SHOULD BE INSTALLED BY A QUALIFIED ELECTRICIAN
3. ENSURE POWER IS OFF AT FUSE BOX PRIOR TO INSTALLTION TO PREVENT ELECTRICAL SHOCK
4. USE ONLY WITH CLASS 2 POWER UNIT.
5. SUITABLE FOR DAMP LOCATIONS
6. FOR UNDER-CABINET OR SHELF MOUNT
7. CONFORMS TO UL STD 2108.
CERTIFIED TO CSA STD C22.2 NO.250.0.



REVO.2
10082024

3 / 3



7777 Merrimac Ave
Niles, IL 60714
T 224.333.6033
F 224.757.7557
info@luminii.com
www.luminii.com

Power Supply Wiring Diagram

Note: Prior to installation all 24VDC wires must be present near fixture. Refer to the power supply installation instructions for additional information.



Static White
Wiring Diagram PDF