



Features

Line LED LL series is a small profile high performance LED strip. The durable, but flexible products feature a heavier copper board core for better heat dissipation and even illumination over long runs. Line LED LL series feature outstanding color consistency with single binning and CRI up to 98. Available with multiple power feed and connector options.

Mounting

LED strip is equipped with 3M™ adhesive transfer tape (9472LE)

Applications

Indoor only - above and below cabinets, cove lighting, counter accent, architectural reveals, under banister, display and book cases, etc

Approvals

Class 2 damp listed

Operating voltage

24 VDC

Average life (L70)

50,000 hours

Warranty

7 Years



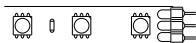
Technical information

| MODEL: | LL9 |
|---|-------------------|
| LEDS/ft | 9 |
| Light output (3000K) | 65 lum/ft |
| Average power consumption (for 15' section) | 1.00 W/ft |
| Cutting increment | 6.50" |
| Pitch length | 1.31" |
| Efficacy lum/watt | 65 |
| Maximum run length (in series) | 100 ft |
| Dimensions | 0.39" W x 0.09" H |

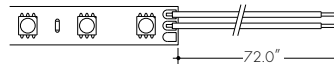
| CCT | Multiplier (reference - 3000K) | TM-30 | | |
|-------|-----------------------------------|-------|----------------|----------------|
| | | CRI | R _f | R _g |
| 2200K | 0.93 | 96 | 95 | 101 |
| 2400K | 0.80 | 98 | 97 | 101 |
| 2700K | 0.85 | 97 | 96 | 101 |
| 2900K | 0.89 | 98 | 96 | 102 |
| 3000K | 1.00 | 97 | 95 | 104 |
| 3500K | 1.07 | 97 | 94 | 105 |
| 4100K | 1.35 | 97 | 90 | 99 |

SECTION START/END OPTIONS

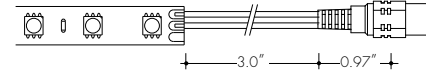
M - Male connector



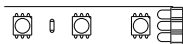
SL - Soldered lead wire (72")



LM - Power Feed lead Male 3" cable



F - Female connector



NC - No connector



LF - Power Feed lead Female 3" cable



Ordering code

| MODEL | COLOR TEMPERATURE | SECTION START | SECTION END | LENGTH |
|-------|---|---|---|---|
| LL9 | | | | |
| LL9 | 22K - 2200K 24K - 2400K 27K - 2700K 29K - 2900K 30K - 3000K 35K - 3500K 41K - 4100K | F - Female connector M - Male connector SL - Soldered lead wires (72") LF - Lead female LM - Lead male NC - No connector | F - Female connector M - Male connector SL - Soldered lead wires (72") LF - Lead female LM - Lead male NC - No connector | view table on page 2 for increment options and maximum run limits |

Power consumption per linear foot - Loads tested with PSD series of power supplies (page 6)

| Length of strip (LF) | LL9 | |
|----------------------|------|---------------|
| | W/ft | Total wattage |
| 1 | 1.50 | 1.13 |
| 2 | 1.50 | 2.38 |
| 3 | 1.50 | 3.38 |
| 4 | 1.50 | 4.63 |
| 5 | 1.44 | 6.13 |
| 6 | 1.44 | 7.63 |
| 7 | 1.44 | 8.88 |
| 8 | 1.38 | 10.13 |
| 9 | 1.38 | 10.75 |
| 10 | 1.38 | 12.00 |
| 11 | 1.31 | 13.63 |
| 12 | 1.31 | 14.88 |
| 13 | 1.31 | 16.13 |
| 14 | 1.31 | 17.63 |
| 15 | 1.25 | 18.50 |
| 16 | 1.25 | 19.50 |
| 17 | 1.25 | 21.00 |
| 18 | 1.25 | 22.25 |
| 19 | 1.25 | 23.50 |
| 20 | 1.19 | 23.63 |
| 21 | 1.19 | 24.80 |
| 22 | 1.19 | 25.98 |
| 23 | 1.19 | 27.15 |
| 24 | 1.19 | 28.33 |
| 25 | 1.19 | 29.50 |
| 26 | 1.19 | 30.68 |
| 27 | 1.19 | 31.85 |
| 28 | 1.19 | 33.03 |
| 29 | 1.19 | 34.33 |
| 30 | 1.19 | 35.38 |
| 31 | 1.19 | 36.33 |
| 32 | 1.19 | 37.28 |
| 33 | 1.19 | 38.23 |
| 34 | 1.19 | 39.18 |
| 35 | 1.19 | 40.13 |
| 36 | 1.19 | 41.08 |
| 37 | 1.19 | 42.03 |
| 38 | 1.19 | 42.98 |
| 39 | 1.19 | 43.93 |
| 40 | 1.13 | 44.88 |
| 41 | 1.13 | 45.81 |
| 42 | 1.13 | 46.75 |
| 43 | 1.13 | 47.69 |
| 44 | 1.13 | 48.63 |
| 45 | 1.13 | 49.56 |
| 46 | 1.13 | 50.50 |
| 47 | 1.13 | 51.44 |
| 48 | 1.13 | 52.38 |
| 49 | 1.13 | 53.31 |
| 50 | 1.13 | 54.25 |
| 51-60 | 1.06 | 63.13 |
| 61-70 | 1.00 | 70.25 |
| 71-80 | 0.94 | 80.63 |
| 81-90 | 0.90 | 81.88 |
| 91-100 | 0.88 | 86.63 |



Lens Options / Light Transmission

| | | | | | | | | |
|--|--|---|---|------------------------------|--------------------|-------------------------------|-------------------------------------|-----------------------------------|
| C Clear | HF Half (50%) Frosted | GR Graze | F Frosted | FF Flat Frosted | R Raised | S Square Frosted | Q Round Square Frosted | 13° 13° Semi-Frosted |
| BOS Channel (BOSC-XX) | CLA Channel (CLAC-XX) | MCAL Channel (MCALC-XX) | K45V Channel (K45V-XX) | | | | | |
| F 52% SI 66% R 60% G 76% | S 62% Q 65% | C 94% | C 82% HF 68% F 45% 13° 75% | | | | | |
| K45R Channel (K45R-XX) | KiloR Channel (KILORC-XX) | Kilo Channel (KILOC-XX) | KL Channel (KLC-XX) | | | | | |
| RF 61% | C 85% F 75% | C 85% F 75% | C 81% HF 67% F 51% | | | | | |
| KRL Channel (KRLC-XX) | KM Channel (KMC-XX) | KRM Channel (KRMC-XX) | KS Channel (KSC-XX) | | | | | |
| C 81% HF 67% F 51% | C 82% HF 68% F 45% FF 52% R 58% GR 57% | C 82% HF 68% F 45% FF 52% GR 57% | C 86% HF 71% F 56% FF 60% R 85% M 64% | | | | | |
| KRS Channel (KRSC-XX) | KXL Channel (KXLC-XX) | KRXL Channel (KRXLC-XX) | RO15 Channel (RO15-XX) | | | | | |
| C 86% HF 71% F 56% FF 60% M 64% | C 79% HF 66% F 49% | C 79% HF 66% F 49% | C 65% F 41% | | | | | |

Installation

All mounting channels are field cuttable using miter saw with circular blade suitable for cutting aluminum.

Ordering

Extrusions are sold separately. View respective specsheets for details on ordering extrusions and their accessories (endcaps, mounting brackets, etc).

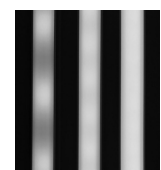
Discontinued Extrusion Reference Link

<https://www.luminii.com/media/4351/extrusion-update.pdf>

LED Dotting per extrusion

using the frosted lens option

| extrusion | LED Models |
|-------------------------|------------|
| | LL9 |
| KSC, KRSC, K45VC | CD |
| KMC, KRMC, K45MC | CD |
| KXLC, KRXLC | CD |
| KLC, KRLC | CD |
| RO | CD |
| BOSC | CD |
| CLAC | CD |

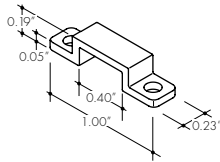


CD SD ND
CD - Clear Dotting
SD - Slight Dotting
ND - No Dotting

Accessories

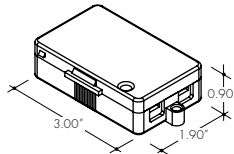
Part # CL1

Mounting clip:
recommended at every 12" when
LineLED strip is facing down.



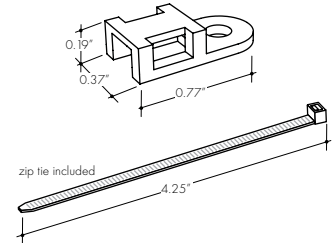
Part # LVSP-4T-BK

Splice Box:
low voltage, 4 terminal splice box, black.



Part # LLZIP

Cable/Wire Strain Relief Clip



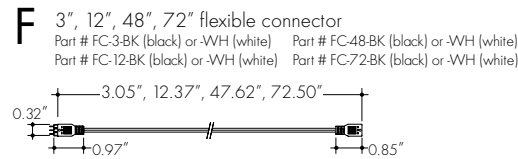
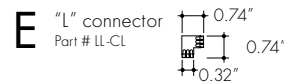
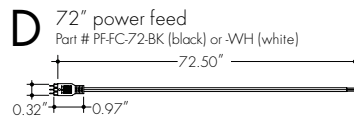
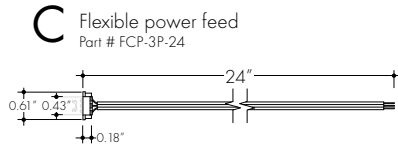
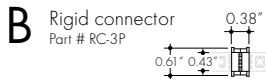
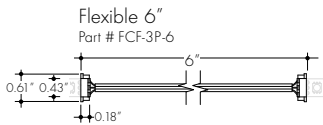
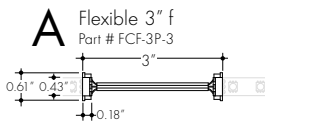
Connectors

Field-cut connectors A,B,C (not compatible with the LL54 models)

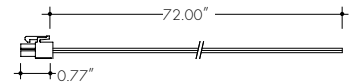
(Reference dimensions below to determine if connector will fit inside of your extrusion. If so surface with contact of connector & extrusion must be insulated to prevent an electrical short)

3-pin connectors D,E,F (not compatible with the LL54 models)

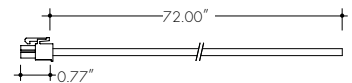
(Reference dimensions below to determine if connector will fit inside of your extrusion. Connectors will not fit inside of the KSC, KRSC, BOSC, & ALC Channel)



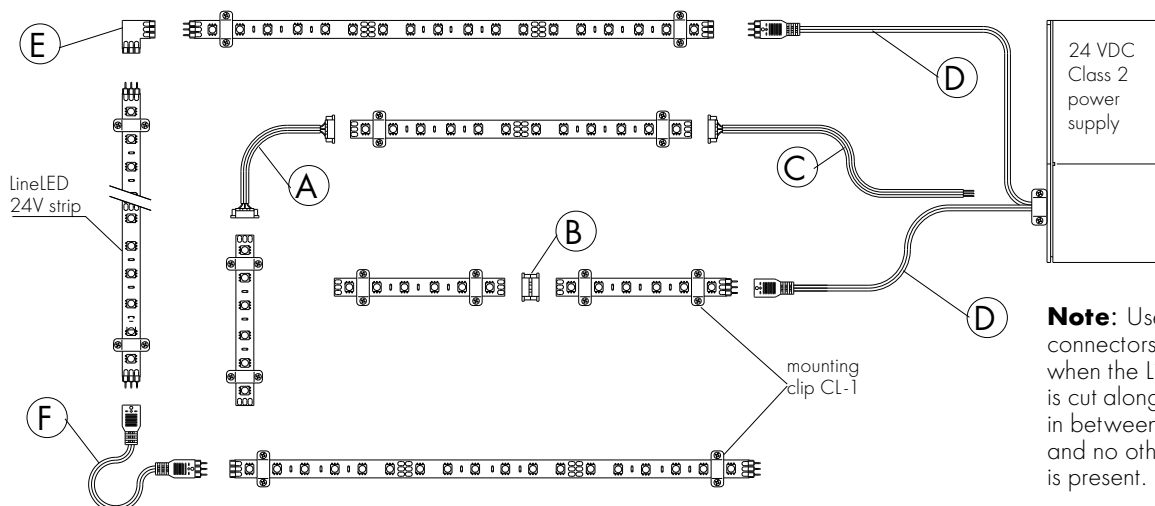
Power feed lead female 72" cable
Part # PFL-F-72



Power feed lead female 72" plenum
rated cable
Part # PFL-F-72-PL



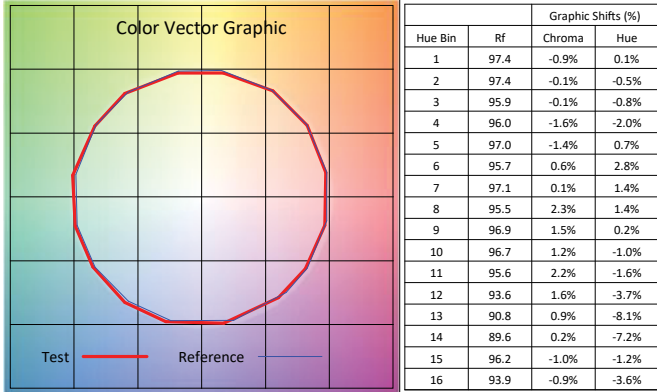
Sample layout with connectors



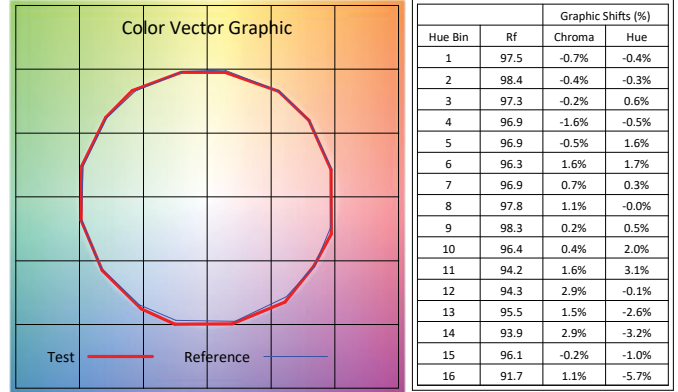
Note: Use field-cut connectors (A,B,C) when the LineLED strip is cut along cutting lines in between solder pads and no other connector is present.

TM-30-15: Data

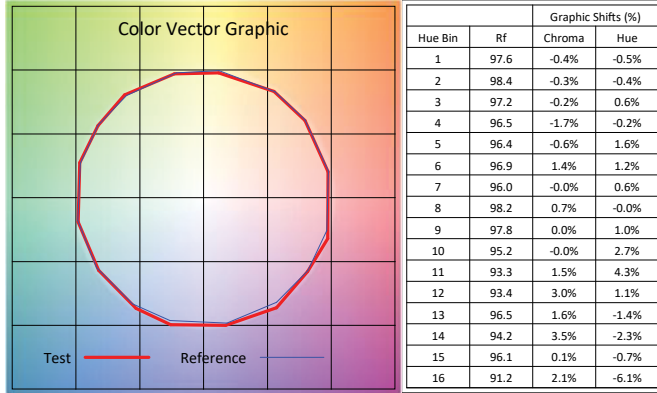
22K CCT



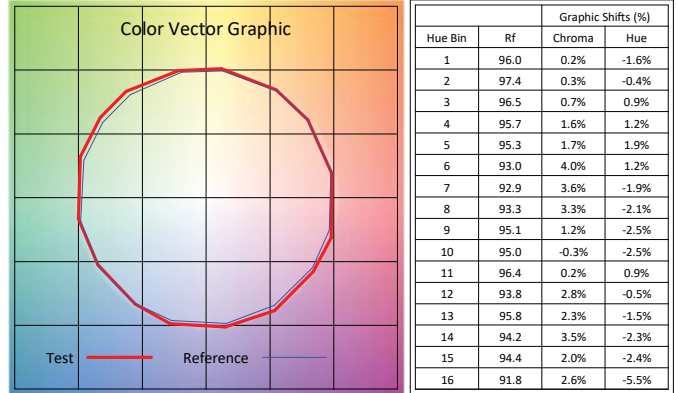
27K CCT



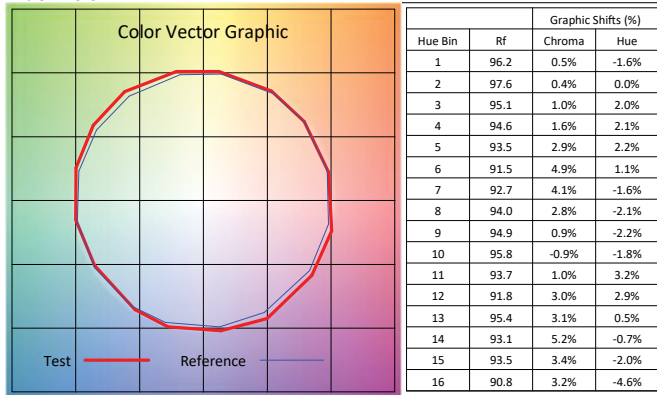
29K CCT



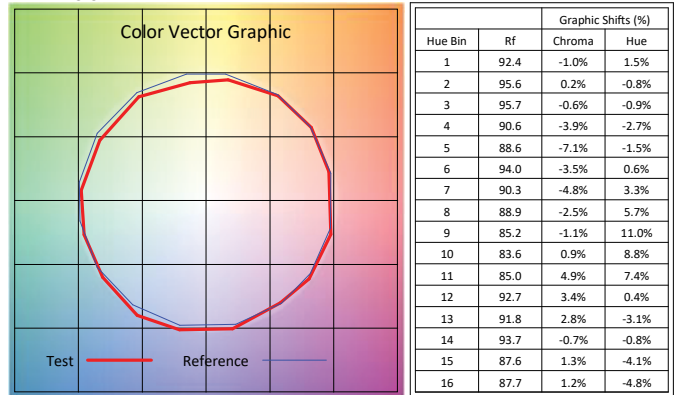
30K CCT



35K CCT



41K CCT



Power Supplies

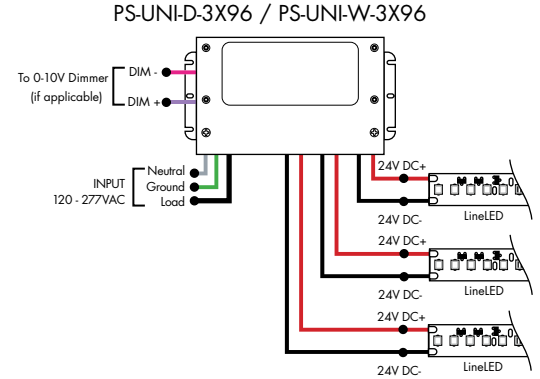
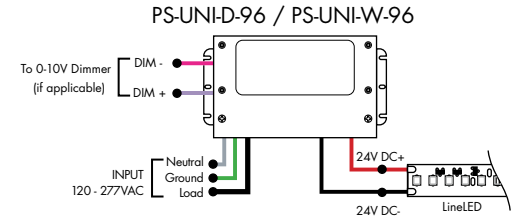
See Power Supply instructions and spec sheet for wiring information. For a complete list of compatible dimmers, see Compatible Dimming Chart on the Resources page.

Ordering Code Universal Dimming Power Supplies 1% 120VAC - 277VAC

| MODEL | INPUT CONTROL | ENVIRONMENT | WATTAGE | OUTPUT |
|-----------------------------|----------------------------------|----------------|--|-----------|
| PS-Power Supply, 120-277VAC | UNI-0-10V Dimming, Phase Dimming | D-Dry W-Wet | 30-30 Watts 60-60 Watts 96-96 Watts 3x96-3x96 Watts | 24-24 VDC |

Compatibility: View a complete list of compatible dimmers on product page [\(Link\)](#)

0-10V - 1% dimming
MLV/ELV/TRIAC - 1% dimming, consult dimming compatibility chart



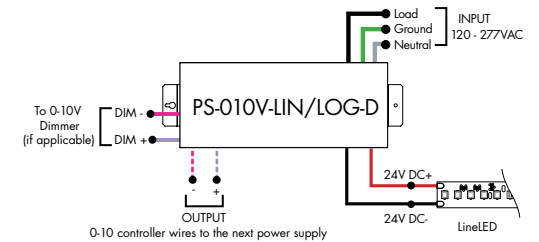
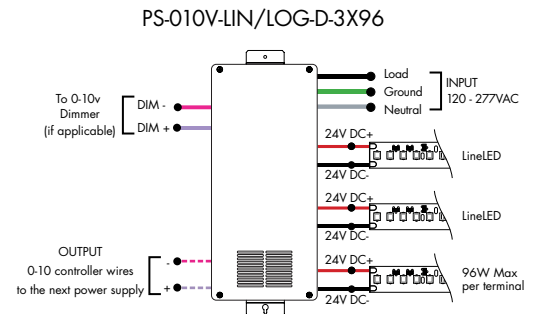
| MODELS | PS-UNI-W-30W | PS-UNI-W-60W | PS-UNI-W-96W | PS-UNI-W-3X96W |
|--------|--------------|--------------|--------------|----------------|
| Length | 6.50" | 7.40" | 8.66" | 11.85" |
| Width | 3.73" | 3.73" | 3.73" | 4.32" |
| Depth | 1.61" | 1.61" | 1.61" | 1.81" |

| MODELS | PS-UNI-D-30W | PS-UNI-D-60W | PS-UNI-D-96W | PS-UNI-D-3X96W |
|--------|--------------|--------------|--------------|----------------|
| Length | 8.77" | 8.77" | 8.11" | 9.94" |
| Width | 4.27" | 4.27" | 5.60" | 7.61" |
| Depth | 1.83" | 1.83" | 1.83" | 2.02" |

Ordering Code 0-10V Dimming Power Supplies 0.1% 120VAC - 277VAC

| MODEL | INPUT CONTROL | ENVIRONMENT | WATTAGE | OUTPUT |
|-----------------------------|---|-------------|--------------------------------|-----------|
| PS-Power Supply, 120-277VAC | 010V-LIN-0-10V Dimming (0.1%), Linear 010V-LOG-0-10V Dimming (0.1%), Logarithmic | D-Dry | 96-96 Watts 3X96-3x96 Watts | 24-24 VDC |

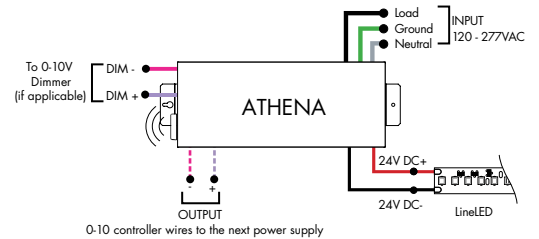
| MODELS | 96W | 3X96 |
|--------|--------|--------|
| Length | 14.40" | 15.00" |
| Width | 5.20" | 6.62" |
| Depth | 2.60" | 4.45" |



Athena 0-10V LED Driver

| MODEL | INPUT CONTROL | ENVIRONMENT | WATTAGE | OUTPUT | FEATURE |
|-----------------------------|---|-------------|---------|-----------|-------------|
| PS-Power Supply, 120-277VAC | 010V-LIN-0-10V Dimming, Linear 010V-LOG-0-10V Dimming, Logarithmic | D-Dry | 96-96 W | 24-24 VDC | AWNR-Athena |

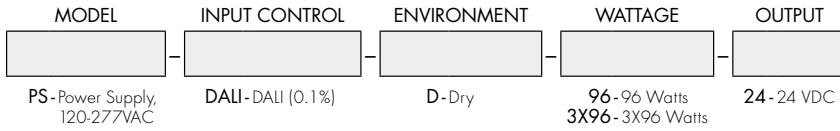
| MODELS | 96W |
|--------|--------|
| Length | 14.40" |
| Width | 5.20" |
| Depth | 2.60" |



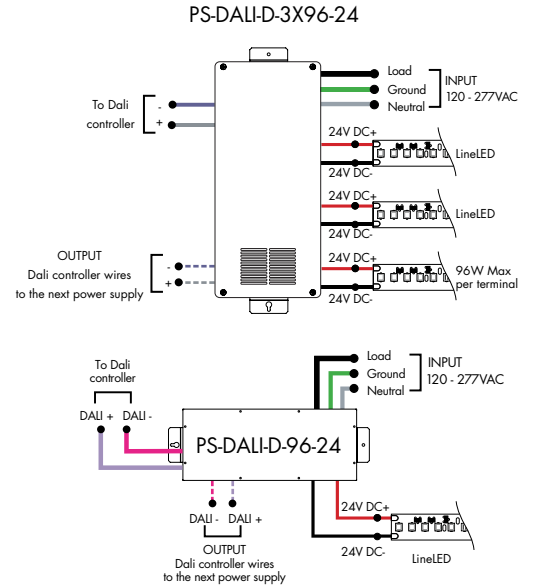
Power Supplies

See Power Supply instructions and spec sheet for wiring information. For a complete list of compatible dimmers, see Compatible Dimming Chart on the Resources page.

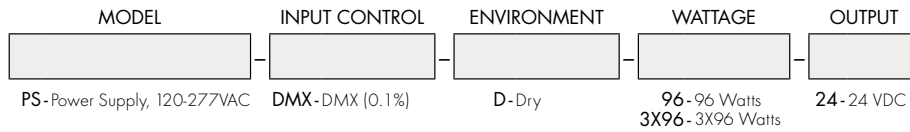
Ordering Code DALI1 Dimming Power Supplies 0.1% 120VAC - 277VAC



| Model | 96W | 3X96 |
|--------|--------|--------|
| Length | 14.40" | 15.00" |
| Width | 5.20" | 6.62" |
| Depth | 2.60" | 4.56" |

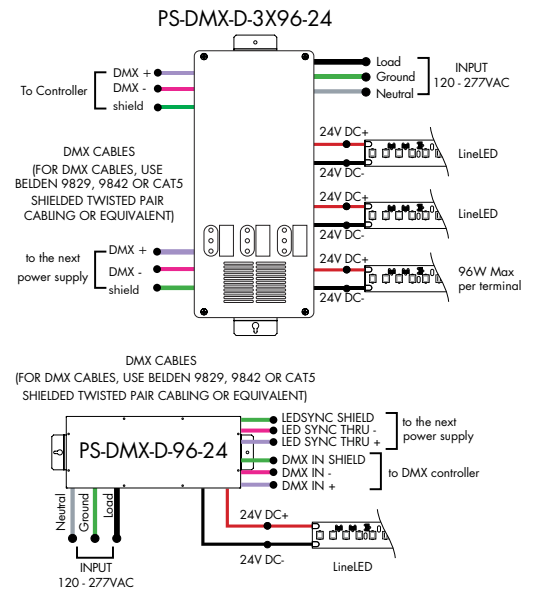


Ordering Code DMX Dimming Power Supplies 0.1% 120VAC - 277VAC Requires Zonal Control

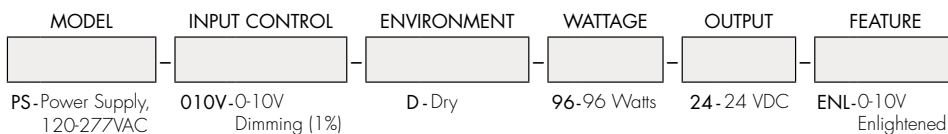


*Zonal control power supplies. Control multiple tapes/zones using DMX channels.

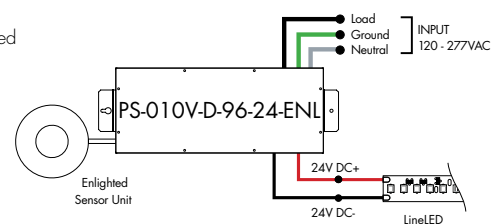
| MODELS | 96W | 3X96 |
|--------|--------|--------|
| Length | 14.40" | 15.00" |
| Width | 5.20" | 6.62" |
| Depth | 2.60" | 4.56" |



Ordering Code Enlighted Enabled Dimming Power Supplies 1% 120VAC - 277VAC



| Model | 96W |
|--------|--------|
| Length | 14.40" |
| Width | 5.20" |
| Depth | 2.60" |

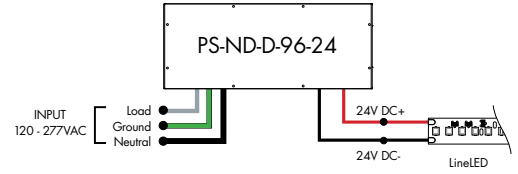


Power Supplies

See Power Supply instructions and spec sheet for wiring information. For a complete list of compatible dimmers, see Compatible Dimming Chart on the Resources page.

Ordering Code Non-Dimming Power Supply 120VAC - 277VAC

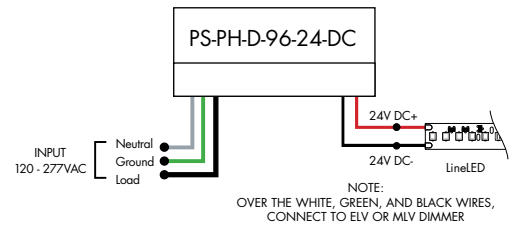
| MODEL | INPUT CONTROL | ENVIRONMENT | WATTAGE | OUTPUT |
|-------------------------------|------------------|-------------|-------------|-------------|
| PS - Power Supply, 120-277VAC | ND - Non Dimming | D - Dry | 96-96 Watts | 24 - 24 VDC |



| MODELS | 96W |
|--------|--------|
| Length | 14.40" |
| Width | 5.20" |
| Depth | 2.60" |

Ordering Code Phase Dimming Power Supply 1% 120VAC - 277VAC

| MODEL | INPUT CONTROL | ENVIRONMENT | WATTAGE | OUTPUT | OUTPUT CONTROL |
|-------------------------------|--------------------------------------|-------------|-------------|-----------|---------------------|
| PS - Power Supply, 120-277VAC | PH - Phase Dimming (Triac, ELV, MLV) | D - Dry | 96-96 Watts | 24-24 VDC | DC - Direct Current |



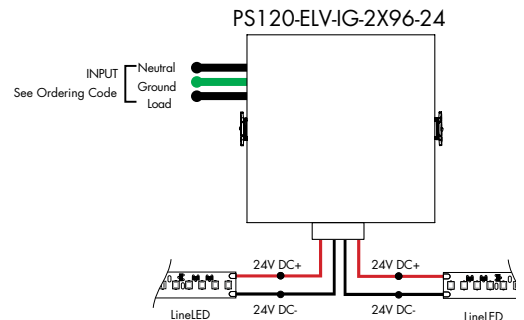
MLV/ELV/TRIAC - 1% dimming, consult dimming compatibility chart ([link](#))

| MODELS | 96W |
|--------|-------|
| Length | 8.25" |
| Width | 4.10" |
| Depth | 1.56" |

Ordering Code In-Ground Power Supplies

| MODEL | INPUT CONTROL | ENVIRONMENT | WATTAGE | OUTPUT |
|--|------------------------|----------------|-------------------|-------------|
| PS120 - Power Supply, 120VAC PS240 - Power Supply, 240VAC PS277 - Power Supply, 277VAC | ELV - ELV Dimming (1%) | IG - In Ground | 2X96 - 2X96 Watts | 24 - 24 VDC |

| MODELS | 2X96W |
|--------|-------|
| Length | 8.40" |
| Width | 8.30" |
| Depth | 8.10" |



Power Supplies

See Power Supply instructions and spec sheet for wiring information. For a complete list of compatible dimmers, see Compatible Dimming Chart on the Resources page.



Luminii is a Lutron OEM Advantage Partner

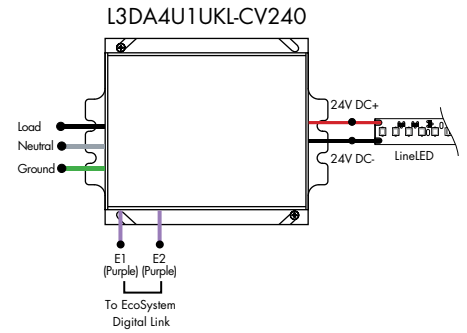
Lutron Power Supplies 1%

MODEL

L3DA4U1UKL-CV240

HiLume™ 1% EcoSystem Voltage LED driver
40W max

| MODELS | L3DA4U1UKL-CV240 |
|---------------|------------------|
| Length | 4.98" |
| Width | 4.00" |
| Depth | 2.62" |



Luminii is a Lutron OEM Advantage Partner

Lutron Power Supplies 0.1%

MODEL

L3D0-96W24V-U

HiLume™ 0.1% EcoSystem Voltage LED Driver with Soft-On, Fade-to-Black™
96W max

| MODELS | L3D0 |
|---------------|--------|
| Length | 10.50" |
| Width | 5.50" |
| Depth | 2.00" |

