

Features

LineLED Wet Tube is a small profile, energy efficient LED strip for IP65, IP67, and IP68 rated wet installations. LineLED Wet Tube offers amber, red, green, blue, yellow, violet, and royal blue colors. It is easily installed directly on to the mounting surface with double sided tape or within discrete mounting extrusions. With a durable but flexible circuit board, LineLED Wet Tube is also easy to install.



To maintain IP65, IP67, and IP68 rating, LineLED Wet Tube is factory sealed and bonded. Order in exact lengths required for install, LineLED Wet Tube is not field cuttable. IP rating of strip is equal to the lowest IP rating of section start and end options.

Mounting

LED strip is equipped with 3M™ adhesive transfer tape (9472LE).

Applications

Outdoor and wet locations - cove lighting, architectural accent, handrail, wet bars.

Approvals

IP65, IP67, and IP68 rated

Operating voltage
24 VDC

Average Life (L70)
50,000 hours

Warranty
3 years



Technical information

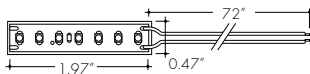
TYPE	LL42WET-T
OUTPUT OPTIONS	HO
Average Power Consumption <small>(for a 4" section)</small>	2.9 W/ft
Cutting Increment (in)	1.97"
Pitch Length	0.28"
Max Run Length (in series)	40 ft
Dimensions	0.47"W x 0.24" H

COLOR	Wavelength	Light Output	Light Color
Red	620-630 nm	69 lm/ft	
Orange	600-610 nm	69 lm/ft	
Amber	585-595 nm	75 lm/ft	
Yellow	575-585 nm	223 lm/ft	
Green	520-530 nm	266 lm/ft	
Blue	465-475 nm	46 lm/ft	
Royal Blue	445-450 nm	36 lm/ft	
Violet	380-385 nm	82 lm/ft	

Section Start/End Options

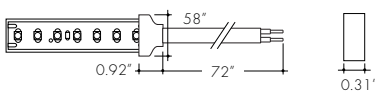
SL65

72" Soldered Leads, IP65 rated



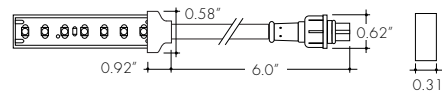
SL68

72" Soldered Leads, IP68 rated



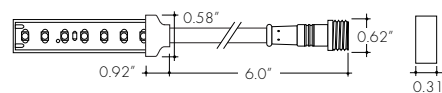
LF

Female Quick Connect End, IP67 rated



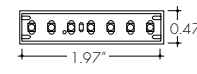
LM

Male Quick Connect End, IP67 rated

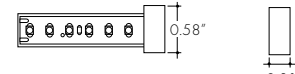


NC

No Connector



IP65 rated when used with SL65 selection



IP67 rated when used with LM or LF selection

IP68 rated when used with SL68 selection

Ordering code

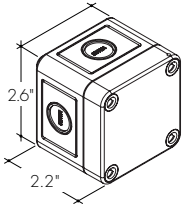
MODEL	OUTPUT	COLOR	SECTION START ²	SECTION END ²	LENGTH
LL42WET-T ¹ -LineLED LL42 Wet Tube	HO-High	R-Red O-Orange A-Amber Y-Yellow G-Green B-Blue RB-Royal Blue V-Violet	SL65-IP65 Soldered lead wires (72") SL68-IP68 Soldered lead wires (72") LF-IP67 Female Quick Connect LM-IP67 Male Quick Connect NC-No Connector	SL65-IP65 Soldered lead wires (72") SL68-IP68 Soldered lead wires (72") LF-IP67 Female Quick Connect LM-IP67 Male Quick Connect NC-No Connector	Ordered in one foot increments. See chart above for max run length.

1 - LL42 Wet monochrome lead time: 8 weeks upon order. Minimum order quantity: 100ft
2 - IP rating of strip is equal to the lowest IP rating of section start and end options.

Accessories

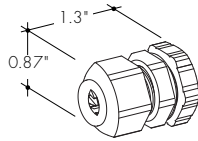
LVSP-WET

Splice box: wet rated, low voltage, gray



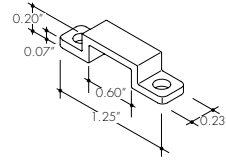
LVSP-WET-CM

Splice box connector, low voltage, gray



CL2

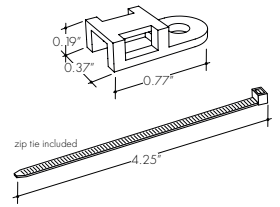
Mounting clip



Recommended every 12" when LineLED strip is facing down

LL.ZIP

Cable/Wire Strain Relief Clip



Lens Options / Light Transmission

C
Clear

HF
Haze (50%)
Frosted

GR
Gross

F
Frosted

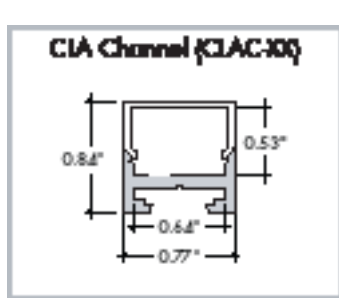
FF
Flat
Frosted

R
Rimmed

S
Square
Frosted

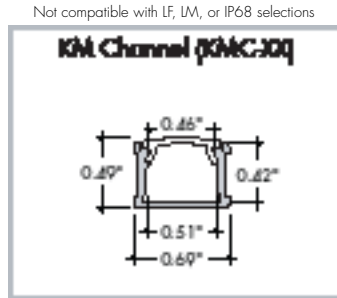
Q
Round Square
Frosted

13°
12°
Semi-Frosted



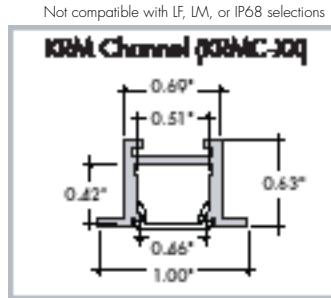
S **Q**
62% 65%

Not compatible with LF, LM, or IP68 selections



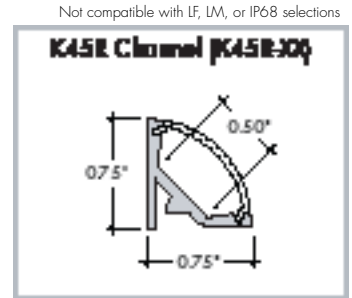
C **HF** **F** **FF** **R**
82% 68% 45% 52% 58%

Not compatible with LF, LM, or IP68 selections

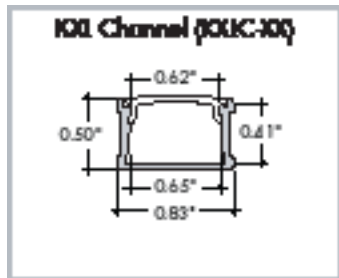


C **HF** **F** **FF**
82% 68% 45% 52%

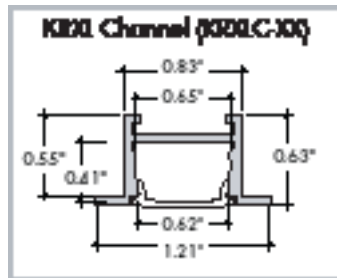
Not compatible with LF, LM, or IP68 selections



RF
61%

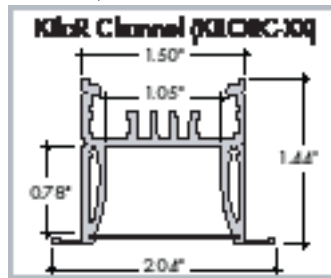


C **HF** **F**
70% 66% 40%



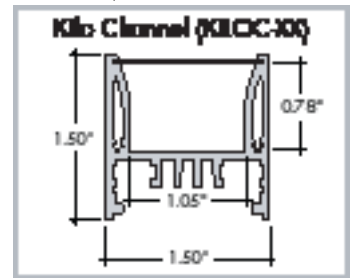
C **HF** **F**
70% 66% 40%

Not compatible with LF, LM, or IP68 selections

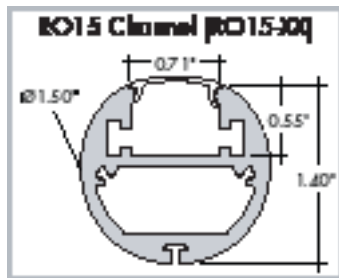


C **F**
85% 75%

Not compatible with LF, LM, or IP68 selections



C **F**
85% 75%



C **F**
65% 41%

Installation

All mounting channels are field cuttable using miter saw with circular blade suitable for cutting aluminum.

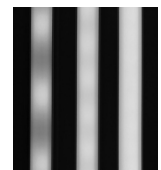
Ordering

Extrusions are sold separately. View respective specsheets for details on ordering extrusions and their accessories (endcaps, mounting brackets, etc).

Led Dotting per Extrusion

using the frosted lens option

Extrusion	LED Model LL42WET-T
KXLC, KRXLC	ND
KLC, KRLC	ND
KILOC, KILORC	ND
R015	ND
KMC	ND
CLAC	ND
MCAL	ND



CD **SD** **ND**
CD - Clear Dotting
SD - Slight Dotting
ND - No Dotting

Power Consumption

Tested at full power with PDC Series power supplies.

Nominal Length (in)	LL42WET-T-HO	
	W/ft	Total Wattage
1	2.9	2.9
2	2.9	5.9
3	2.9	8.3
4	2.9	11.2
5	2.9	14.4
6	2.9	17.8
7	2.9	20.9
8	2.9	23.3
9	2.8	25.5
10	2.8	28.1
11	2.8	30.5
12	2.7	32.9
13	2.7	35.6
14	2.7	38.0
15	2.7	40.6
16	2.5	40.8
17	2.5	42.9
18	2.5	45.3
19	2.5	47.4
20	2.4	48.7
21	2.4	49.8
22	2.4	53.0
23	2.3	53.7
24	2.3	55.6
25	2.3	58.2
26	2.3	58.4
27	2.2	59.9
28	2.2	62.3
29	2.2	64.4
30	2.2	66.4
31	2.1	66.4
32	2.2	69.1
33	2.1	70.8
34	2.1	71.5
35	2.1	73.1
36	2.2	80.1
37	2.2	82.6
38	2.2	82.7
39	2.2	84.7
40	2.1	85.2

Voltage Drop Calculator

The below chart assumes nominal voltage of 24 Volts and a Voltage Drop Allowance of 3% through the wire

Wattage [W]	Maximum Wire Length From Power Supply to Start of Run [ft]						
	12 AWG	14 AWG	16 AWG	18 AWG	20 AWG	22 AWG	24 AWG
5	1088.2	684.4	430.3	270.6	170.2	107.1	67.3
10	544.1	342.2	215.1	135.3	85.1	53.5	33.7
15	362.7	228.1	143.4	90.2	56.7	35.7	22.4
20	272.0	171.1	107.6	67.7	42.6	26.8	16.8
25	217.6	136.9	86.1	54.1	34.0	21.4	13.5
30	181.4	114.1	71.7	45.1	28.4	17.8	11.2
35	155.5	97.8	61.5	38.7	24.3	15.3	9.6
40	136.0	85.5	53.8	33.8	21.3	13.4	8.4
45	120.9	76.0	47.8	30.1	18.9	11.9	7.5
50	108.8	68.4	43.0	27.1	17.0	10.7	6.7
55	98.9	62.2	39.1	24.6	15.5	9.7	6.1
60	90.7	57.0	35.9	22.6	14.2	8.9	5.6
65	83.7	52.6	33.1	20.8	13.1	8.2	5.2
70	77.7	48.9	30.7	19.3	12.2	7.6	4.8
75	72.5	45.6	28.7	18.0	11.3	7.1	4.5
80	68.0	42.8	26.9	16.9	10.6	6.7	4.2
85	64.0	40.3	25.3	15.9	10.0	6.3	4.0
90	60.5	38.0	23.9	15.0	9.5	5.9	3.7
96	56.7	35.6	22.4	14.1	8.9	5.6	3.5

Power Supplies

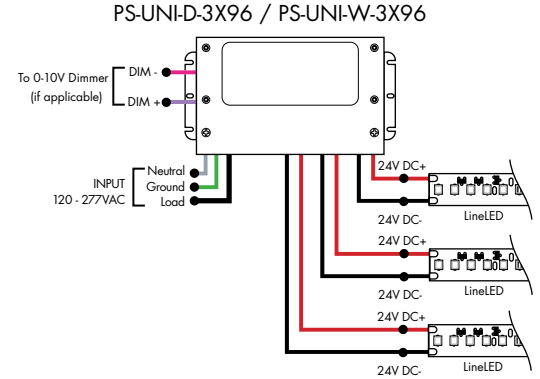
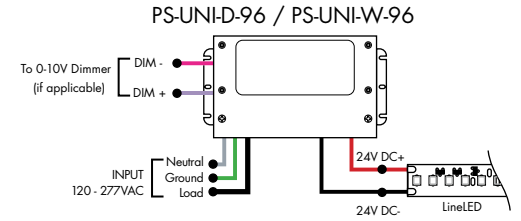
See Power Supply instructions and spec sheet for wiring information. For a complete list of compatible dimmers, see Compatible Dimming Chart on the Resources page.

Ordering Code Universal Dimming Power Supplies 1% 120VAC - 277VAC

MODEL	INPUT CONTROL	ENVIRONMENT	WATTAGE	OUTPUT
PS-Power Supply, 120-277VAC	UNI-0-10V Dimming, Phase Dimming	D-Dry W-Wet	30-30 Watts 60-60 Watts 96-96 Watts 3x96-3x96 Watts	24-24 VDC

Compatibility: View a complete list of compatible dimmers on product page [\(Link\)](#)

0-10V - 1% dimming
MLV/ELV/TRIAC - 1% dimming, consult dimming compatibility chart



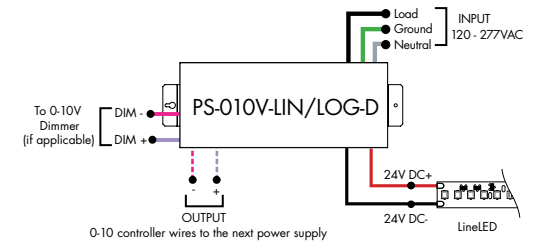
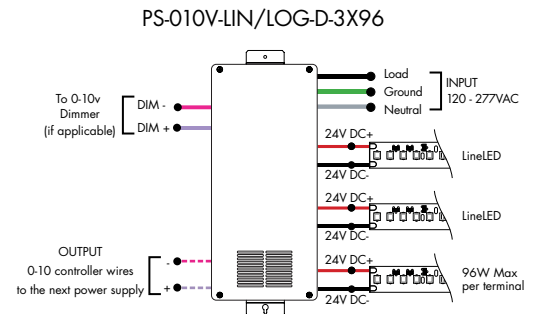
MODELS	PS-UNI-W-30W	PS-UNI-W-60W	PS-UNI-W-96W	PS-UNI-W-3X96W
Length	6.50"	7.40"	8.66"	11.85"
Width	3.73"	3.73"	3.73"	4.32"
Depth	1.61"	1.61"	1.61"	1.81"

MODELS	PS-UNI-D-30W	PS-UNI-D-60W	PS-UNI-D-96W	PS-UNI-D-3X96W
Length	8.77"	8.77"	8.11"	9.94"
Width	4.27"	4.27"	5.60"	7.61"
Depth	1.83"	1.83"	1.83"	2.02"

Ordering Code 0-10V Dimming Power Supplies 0.1% 120VAC - 277VAC

MODEL	INPUT CONTROL	ENVIRONMENT	WATTAGE	OUTPUT
PS-Power Supply, 120-277VAC	010V-LIN-0-10V Dimming (0.1%), Linear 010V-LOG-0-10V Dimming (0.1%), Logarithmic	D-Dry	96-96 Watts 3X96-3x96 Watts	24-24 VDC

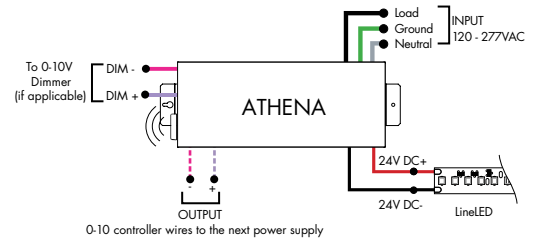
MODELS	96W	3X96
Length	14.40"	15.00"
Width	5.20"	6.62"
Depth	2.60"	4.45"



Athena 0-10V LED Driver

MODEL	INPUT CONTROL	ENVIRONMENT	WATTAGE	OUTPUT	FEATURE
PS-Power Supply, 120-277VAC	010V-LIN-0-10V Dimming, Linear 010V-LOG-0-10V Dimming, Logarithmic	D-Dry	96-96 W	24-24 VDC	AWNR-Athena

MODELS	96W
Length	14.40"
Width	5.20"
Depth	2.60"



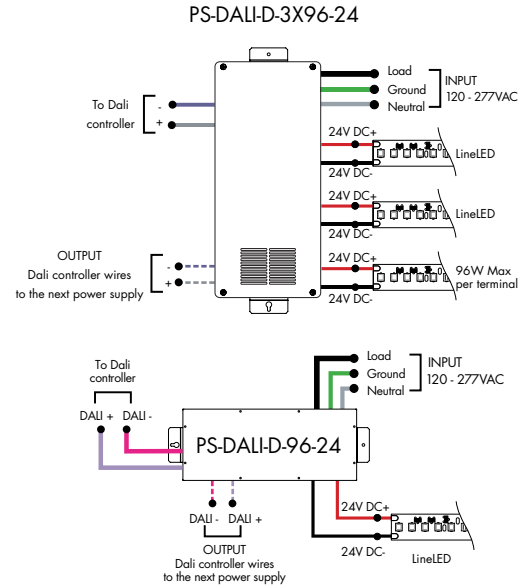
Power Supplies

See Power Supply instructions and spec sheet for wiring information. For a complete list of compatible dimmers, see Compatible Dimming Chart on the Resources page.

Ordering Code DALI1 Dimming Power Supplies 0.1% 120VAC - 277VAC

MODEL	INPUT CONTROL	ENVIRONMENT	WATTAGE	OUTPUT
PS-Power Supply, 120-277VAC	DALI-DALI (0.1%)	D-Dry	96-96 Watts 3X96-3X96 Watts	24-24 VDC

Model	96W	3X96
Length	14.40"	15.00"
Width	5.20"	6.62"
Depth	2.60"	4.56"

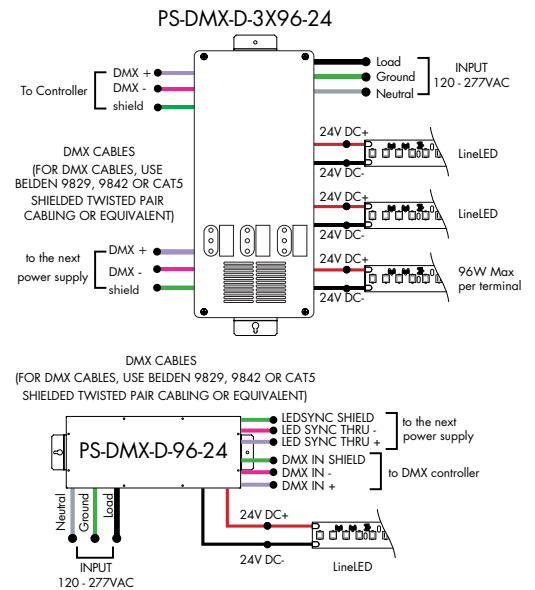


Ordering Code DMX Dimming Power Supplies 0.1% 120VAC - 277VAC Requires Zonal Control

MODEL	INPUT CONTROL	ENVIRONMENT	WATTAGE	OUTPUT
PS-Power Supply, 120-277VAC	DMX-DMX (0.1%)	D-Dry	96-96 Watts 3X96-3X96 Watts	24-24 VDC

*Zonal control power supplies. Control multiple tapes/zones using DMX channels.

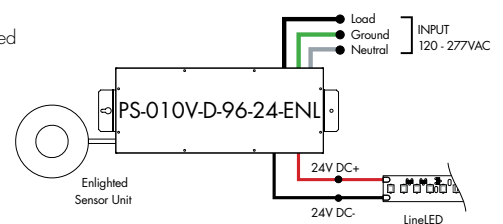
MODELS	96W	3X96
Length	14.40"	15.00"
Width	5.20"	6.62"
Depth	2.60"	4.56"



Ordering Code Enlightened Enabled Dimming Power Supplies 1% 120VAC - 277VAC

MODEL	INPUT CONTROL	ENVIRONMENT	WATTAGE	OUTPUT	FEATURE
PS-Power Supply, 120-277VAC	010V-0-10V Dimming (1%)	D-Dry	96-96 Watts	24-24 VDC	ENL-0-10V Enlightened

Model	96W
Length	14.40"
Width	5.20"
Depth	2.60"

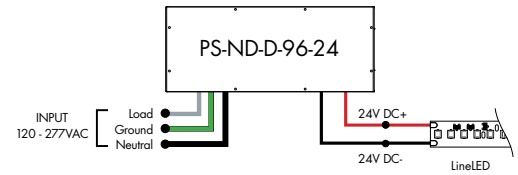


Power Supplies

See Power Supply instructions and spec sheet for wiring information. For a complete list of compatible dimmers, see Compatible Dimming Chart on the Resources page.

Ordering Code Non-Dimming Power Supply 120VAC - 277VAC

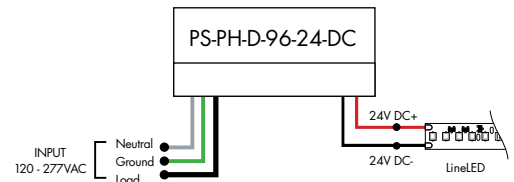
MODEL	INPUT CONTROL	ENVIRONMENT	WATTAGE	OUTPUT
PS - Power Supply, 120-277VAC	ND - Non Dimming	D - Dry	96-96 Watts	24 - 24 VDC



MODELS	96W
Length	14.40"
Width	5.20"
Depth	2.60"

Ordering Code Phase Dimming Power Supply 1% 120VAC - 277VAC

MODEL	INPUT CONTROL	ENVIRONMENT	WATTAGE	OUTPUT	OUTPUT CONTROL
PS - Power Supply, 120-277VAC	PH - Phase Dimming (Triac, ELV, MLV)	D - Dry	96-96 Watts	24-24 VDC	DC - Direct Current



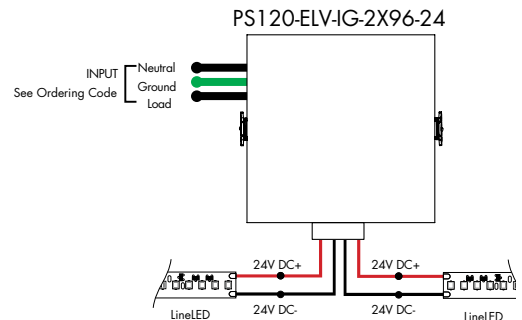
MLV/ELV/TRIAC - 1% dimming, consult dimming compatibility chart ([Link](#))

NOTE:
OVER THE WHITE, GREEN, AND BLACK WIRES,
CONNECT TO ELV OR MLV DIMMER

MODELS	96W
Length	8.25"
Width	4.10"
Depth	1.56"

Ordering Code In-Ground Power Supplies

MODEL	INPUT CONTROL	ENVIRONMENT	WATTAGE	OUTPUT
PS120 - Power Supply, 120VAC PS240 - Power Supply, 240VAC PS277 - Power Supply, 277VAC	ELV - ELV Dimming (1%)	IG - In Ground	2X96-2X96 Watts	24-24 VDC



MODELS	2X96W
Length	8.40"
Width	8.30"
Depth	8.10"

Power Supplies

See Power Supply instructions and spec sheet for wiring information. For a complete list of compatible dimmers, see Compatible Dimming Chart on the Resources page.



Luminii is a Lutron OEM Advantage Partner

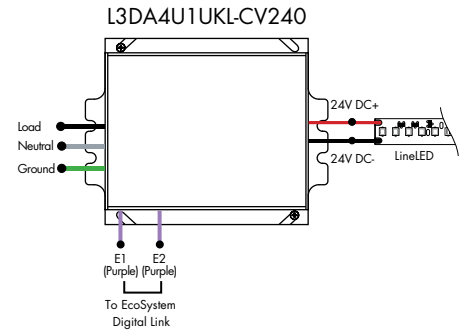
Lutron Power Supplies 1%

MODEL

L3DA4U1UKL-CV240

HiLume™ 1% EcoSystem Voltage LED driver
40W max

MODELS	L3DA4U1UKL-CV240
Length	4.98"
Width	4.00"
Depth	2.62"



Luminii is a Lutron OEM Advantage Partner

Lutron Power Supplies 0.1%

MODEL

L3D0-96W24V-U

HiLume™ 0.1% EcoSystem Voltage LED Driver with Soft-On, Fade-to-Black™
96W max

MODELS	L3D0
Length	10.50"
Width	5.50"
Depth	2.00"

