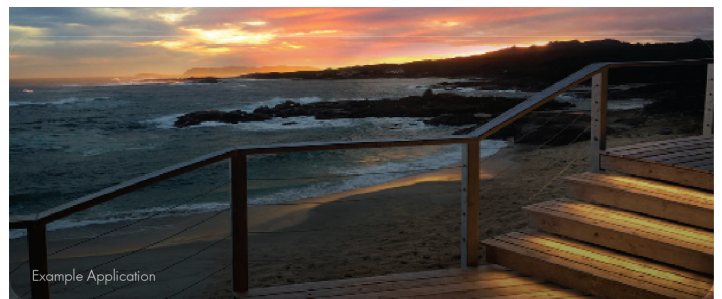




It is well established that traditional forms of artificial light can disrupt sea turtle hatching patterns and disorient hatchlings. Our **FWC (Florida Wildlife Commission)** certified luminaires feature carefully crafted 590nm LEDs that, when used in conjunction with proper shielding, can help create a safer space for sea turtles and other wildlife.



Product Image



Example Application

Declare. RoHS

Features

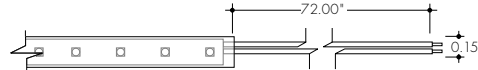
- IP68 rated for Wet Location
- Approved for use in proximity to wildlife
- 72 lm/ft; 27 lm/Watt
- Carefully crafted 590nm LEDs

Suggested Applications

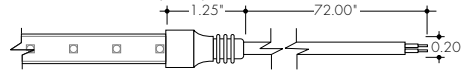
- Handrail
- Corner
- Cove
- Surface Mount
- Recessed

SECTION START/END OPTIONS

72" Soldered leads (SL65)



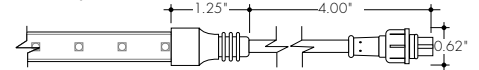
72" Soldered leads (SL68)



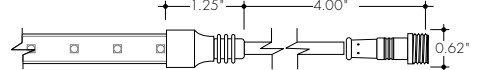
No connector (NC)
IP65 model only



Female quick connect end (F)



Male quick connect end (M)



No connector (NC)
IP68 model only



Ordering code

MODEL	SECTION START	SECTION END	LENGTH
LL36-WL	SL65	NC	
LL36-WL	SL65 - IP65 Soldered lead wires (72") SL68 - IP68 Soldered lead wires (72") F - Female connector M - Male connector NC - No connector	SL65 - IP65 Soldered lead wires (72") SL68 - IP68 Soldered lead wires (72") F - Female connector M - Male connector NC - No connector	view table on page 2 for increment options and maximum run limits

Technical information

Electrical

Input Voltage	24VDC
Power Consumption	3.0 Watts per foot (36 LEDs per foot)
Wire Size	18AWG, 2 wire
Certification	ETL - Conforms to UL Std. 2108; Certified to CSA Std. C22.2 No. 9.0. FWC Wildlife Lighting (#2018-023) - Approved for use in proximity to wildlife. Class 2

Lumen Output

Amber	72.00 lm/ft 27.00 lm/Watt
-------	---------------------------

Note: Stated lumen values have a tolerance of +/- 10%.

Physical

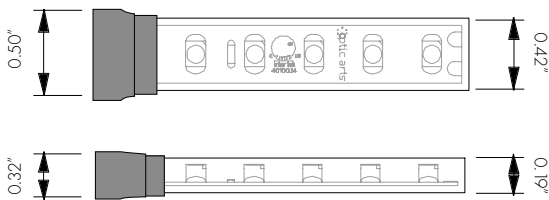
Ordering Increment	1.97" (50.00mm)
Operating Temperature	-40°F (-40° C) to +158°F (+70° C)
Environment	Wet Location
Maximum Run Length	32.00' (6096.00mm)
Dimensions	0.42" (10.55mm) x 0.19" (4.88mm) Endcaps - 0.50" (12.70mm) x 0.32" (7.94mm)

Performance

CRI	50,000 Hours
Lumen Maintenance	590 nm
Warranty	3 Years

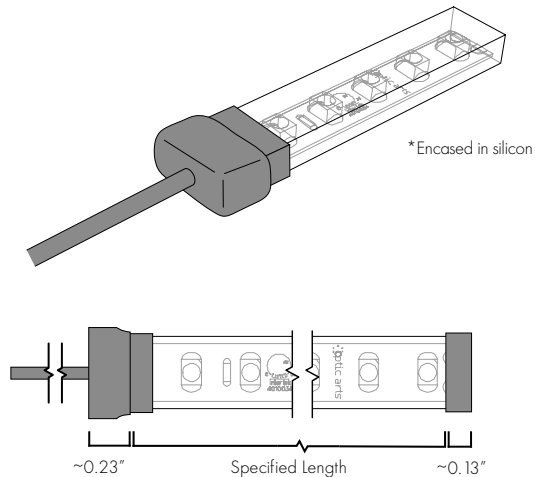
Dimensions

LL36-WL



Dimensions

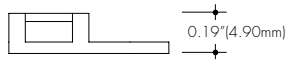
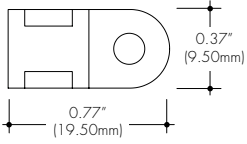
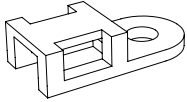
Width	0.42" (10.55mm)
Height	0.19" (4.88mm)
Width (Endcap)	0.50" (12.70mm)
Height (Endcap)	0.32" (7.94mm)
Max Run Length	32.00' (6096.00mm)



Accessories

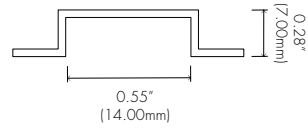
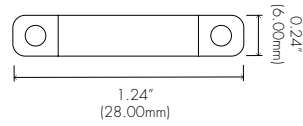
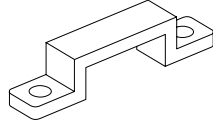
LL.ZIP

Strain Relief Clip

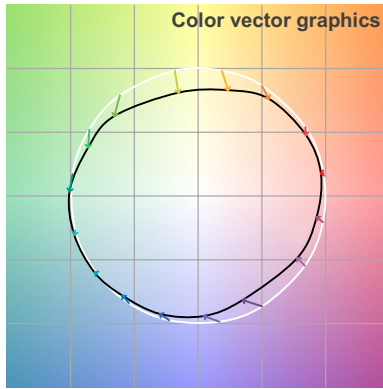


FLEXMNT-SIL-EXT12

Outdoor Mounting Clip

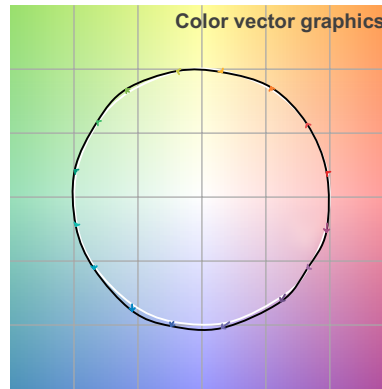


TM-30 - 1800K



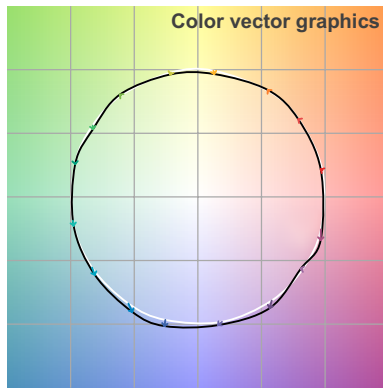
Hue Bin	R_f	Graphic shifts (%)	
		Chroma	Hue
1	93	-2%	0%
2	87	-3%	-5%
3	77	-6%	-10%
4	80	-14%	-8%
5	86	-17%	1%
6	73	-11%	13%
7	77	-7%	12%
8	80	0%	14%
9	93	1%	3%
10	95	1%	-2%
11	87	-2%	-7%
12	85	-3%	-8%
13	82	-7%	-11%
14	83	-13%	-10%
15	87	-8%	2%
16	88	-6%	3%

TM-30 - 2350K



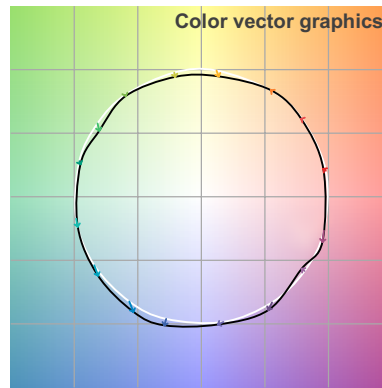
Hue Bin	R_f	Graphic shifts (%)	
		Chroma	Hue
1	96	-1%	1%
2	97	0%	1%
3	94	1%	2%
4	95	-1%	-1%
5	95	0%	1%
6	94	3%	1%
7	95	1%	0%
8	97	2%	-1%
9	96	1%	2%
10	96	1%	2%
11	92	4%	3%
12	93	4%	-1%
13	91	3%	-7%
14	90	3%	-6%
15	95	0%	-2%
16	90	1%	-7%

TM-30 - 2750K



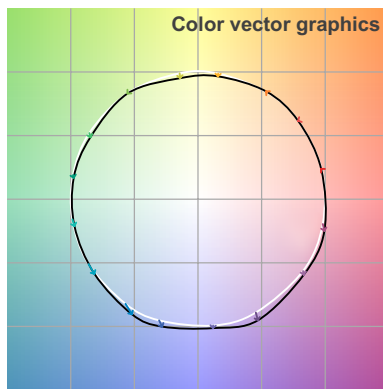
Hue Bin	R_f	Graphic shifts (%)	
		Chroma	Hue
1	95	-1%	1%
2	97	0%	1%
3	95	0%	2%
4	93	-3%	-1%
5	95	-1%	1%
6	97	1%	0%
7	92	-2%	2%
8	98	0%	1%
9	93	0%	4%
10	90	1%	6%
11	89	4%	6%
12	91	5%	0%
13	94	2%	-3%
14	91	4%	-5%
15	94	-1%	-1%
16	88	1%	-8%

TM-30 - 2930K



Hue Bin	R_f	Graphic shifts (%)	
		Chroma	Hue
1	93	-2%	2%
2	95	0%	1%
3	95	0%	1%
4	91	-4%	-3%
5	94	-3%	0%
6	96	-1%	0%
7	89	-4%	4%
8	95	-1%	2%
9	89	0%	6%
10	86	2%	8%
11	87	5%	7%
12	90	5%	0%
13	93	1%	-5%
14	90	3%	-6%
15	91	-3%	0%
16	87	1%	-9%

TM-30 - 3550K



Hue Bin	R_f	Graphic shifts (%)	
		Chroma	Hue
1	95	0%	1%
2	97	0%	0%
3	95	0%	1%
4	93	-2%	0%
5	91	-4%	0%
6	96	0%	1%
7	94	-3%	2%
8	95	-1%	2%
9	91	-1%	5%
10	86	0%	9%
11	85	4%	9%
12	89	4%	3%
13	96	2%	-1%
14	92	6%	-2%
15	91	2%	-2%
16	89	2%	-5%

Power Supplies

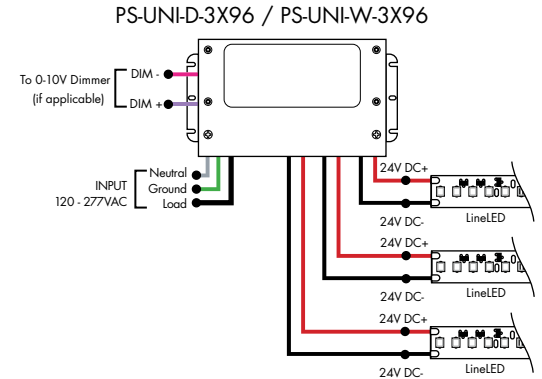
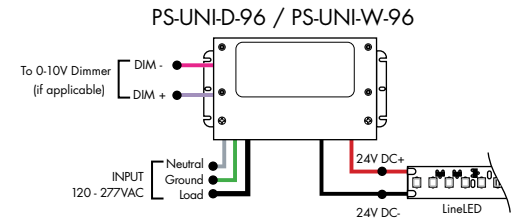
See Power Supply instructions and spec sheet for wiring information. For a complete list of compatible dimmers, see Compatible Dimming Chart on the Resources page.

Ordering Code Universal Dimming Power Supplies 1% 120VAC - 277VAC

MODEL	INPUT CONTROL	ENVIRONMENT	WATTAGE	OUTPUT
PS-Power Supply, 120-277VAC	UNI-0-10V Dimming, Phase Dimming	D-Dry W-Wet	30-30 Watts 60-60 Watts 96-96 Watts 3x96-3x96 Watts	24-24 VDC

Compatibility: View a complete list of compatible dimmers on product page [\(Link\)](#)

0-10V - 1% dimming
MLV/ELV/TRIAC - 1% dimming, consult dimming compatibility chart



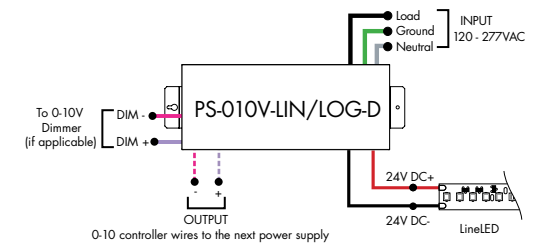
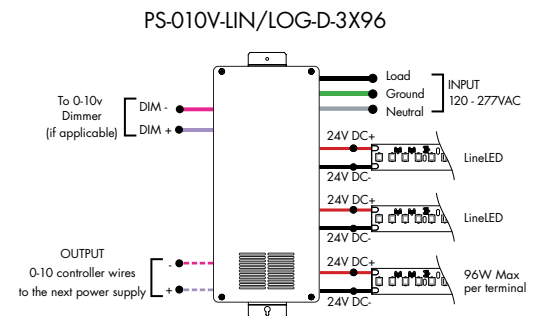
MODELS	PS-UNI-W-30W	PS-UNI-W-60W	PS-UNI-W-96W	PS-UNI-W-3X96W
Length	6.50"	7.40"	8.66"	11.85"
Width	3.73"	3.73"	3.73"	4.32"
Depth	1.61"	1.61"	1.61"	1.81"

MODELS	PS-UNI-D-30W	PS-UNI-D-60W	PS-UNI-D-96W	PS-UNI-D-3X96W
Length	8.77"	8.77"	8.11"	9.94"
Width	4.27"	4.27"	5.60"	7.61"
Depth	1.83"	1.83"	1.83"	2.02"

Ordering Code 0-10V Dimming Power Supplies 0.1% 120VAC - 277VAC

MODEL	INPUT CONTROL	ENVIRONMENT	WATTAGE	OUTPUT
PS-Power Supply, 120-277VAC	010V-LIN-0-10V Dimming (0.1%), Linear 010V-LOG-0-10V Dimming (0.1%), Logarithmic	D-Dry	96-96 Watts 3X96-3x96 Watts	24-24 VDC

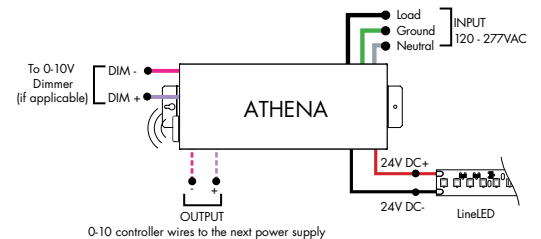
MODELS	96W	3X96
Length	14.40"	15.00"
Width	5.20"	6.62"
Depth	2.60"	4.45"



Athena 0-10V LED Driver

MODEL	INPUT CONTROL	ENVIRONMENT	WATTAGE	OUTPUT	FEATURE
PS-Power Supply, 120-277VAC	010V-LIN-0-10V Dimming, Linear 010V-LOG-0-10V Dimming, Logarithmic	D-Dry	96-96 W	24-24 VDC	AWNR-Athena

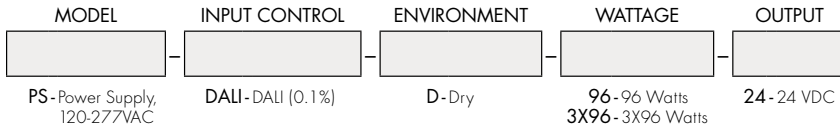
MODELS	96W
Length	14.40"
Width	5.20"
Depth	2.60"



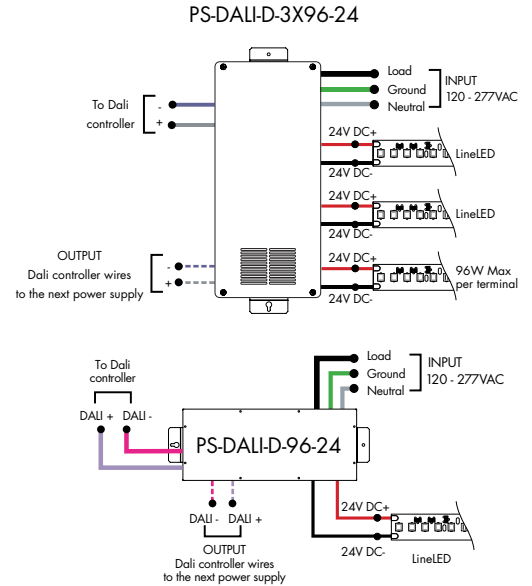
Power Supplies

See Power Supply instructions and spec sheet for wiring information. For a complete list of compatible dimmers, see Compatible Dimming Chart on the Resources page.

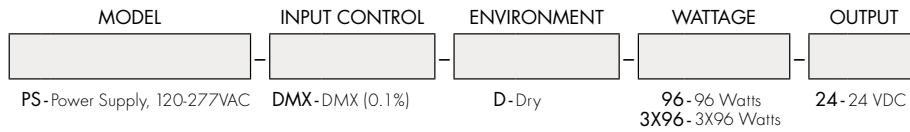
Ordering Code DALI1 Dimming Power Supplies 0.1% 120VAC - 277VAC



Model	96W	3X96
Length	14.40"	15.00"
Width	5.20"	6.62"
Depth	2.60"	4.56"

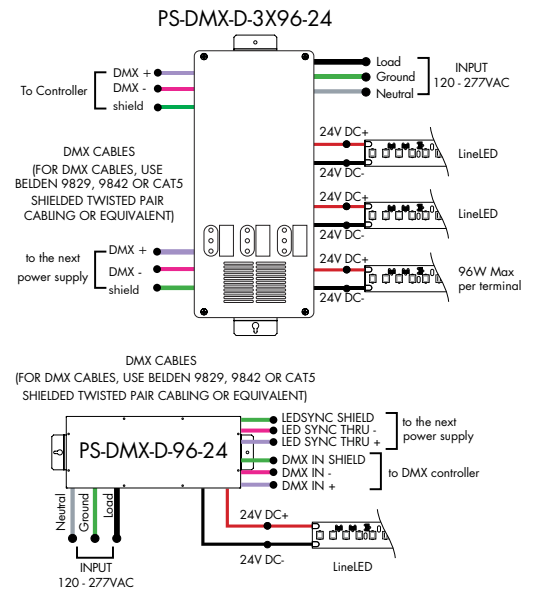


Ordering Code DMX Dimming Power Supplies 0.1% 120VAC - 277VAC Requires Zonal Control

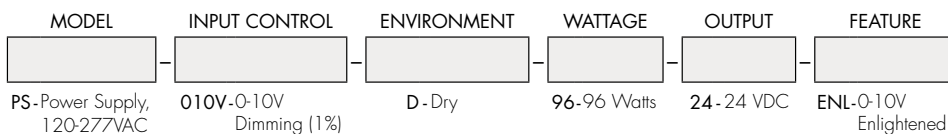


*Zonal control power supplies. Control multiple tapes/zones using DMX channels.

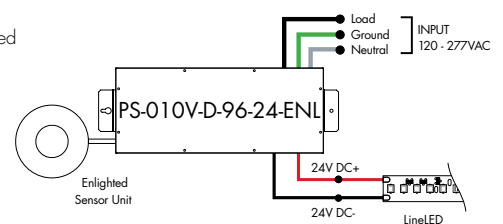
MODELS	96W	3X96
Length	14.40"	15.00"
Width	5.20"	6.62"
Depth	2.60"	4.56"



Ordering Code Enlightened Enabled Dimming Power Supplies 1% 120VAC - 277VAC



Model	96W
Length	14.40"
Width	5.20"
Depth	2.60"

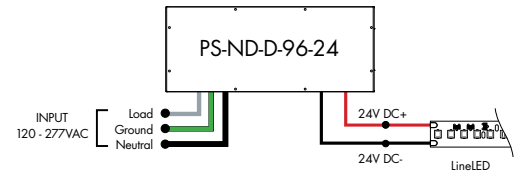


Power Supplies

See Power Supply instructions and spec sheet for wiring information. For a complete list of compatible dimmers, see Compatible Dimming Chart on the Resources page.

Ordering Code Non-Dimming Power Supply 120VAC - 277VAC

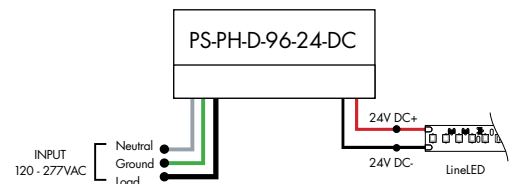
MODEL	INPUT CONTROL	ENVIRONMENT	WATTAGE	OUTPUT
PS - Power Supply, 120-277VAC	ND - Non Dimming	D - Dry	96-96 Watts	24 - 24 VDC



MODELS	96W
Length	14.40"
Width	5.20"
Depth	2.60"

Ordering Code Phase Dimming Power Supply 1% 120VAC - 277VAC

MODEL	INPUT CONTROL	ENVIRONMENT	WATTAGE	OUTPUT	OUTPUT CONTROL
PS - Power Supply, 120-277VAC	PH - Phase Dimming (Triac, ELV, MLV)	D - Dry	96-96 Watts	24-24 VDC	DC - Direct Current



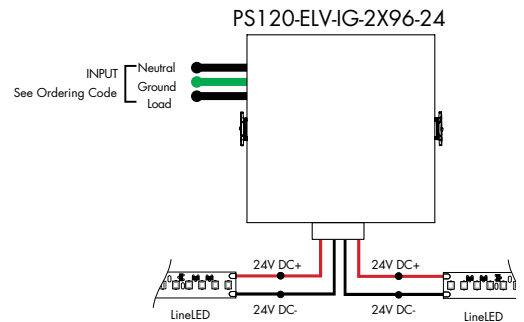
NOTE:
OVER THE WHITE, GREEN, AND BLACK WIRES,
CONNECT TO ELV OR MLV DIMMER

MLV/ELV/TRIAC - 1% dimming, consult dimming compatibility chart ([link](#))

MODELS	96W
Length	8.25"
Width	4.10"
Depth	1.56"

Ordering Code In-Ground Power Supplies

MODEL	INPUT CONTROL	ENVIRONMENT	WATTAGE	OUTPUT
PS120 - Power Supply, 120VAC PS240 - Power Supply, 240VAC PS277 - Power Supply, 277VAC	ELV - ELV Dimming (1%)	IG - In Ground	2X96-2X96 Watts	24-24 VDC



MODELS	2X96W
Length	8.40"
Width	8.30"
Depth	8.10"

Power Supplies

See Power Supply instructions and spec sheet for wiring information. For a complete list of compatible dimmers, see Compatible Dimming Chart on the Resources page.



Luminii is a Lutron OEM Advantage Partner

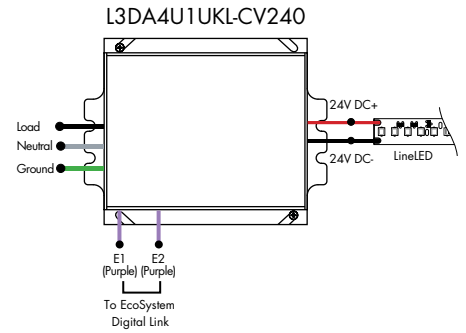
Lutron Power Supplies 1%

MODEL

L3DA4U1UKL-CV240

HiLume™ 1% EcoSystem Voltage LED driver
40W max

MODELS	L3DA4U1UKL-CV240
Length	4.98"
Width	4.00"
Depth	2.62"



Luminii is a Lutron OEM Advantage Partner

Lutron Power Supplies 0.1%

MODEL

L3D0-96W24V-U

HiLume™ 0.1% EcoSystem Voltage LED Driver with Soft-On, Fade-to-Black™
96W max

MODELS	L3D0
Length	10.50"
Width	5.50"
Depth	2.00"

