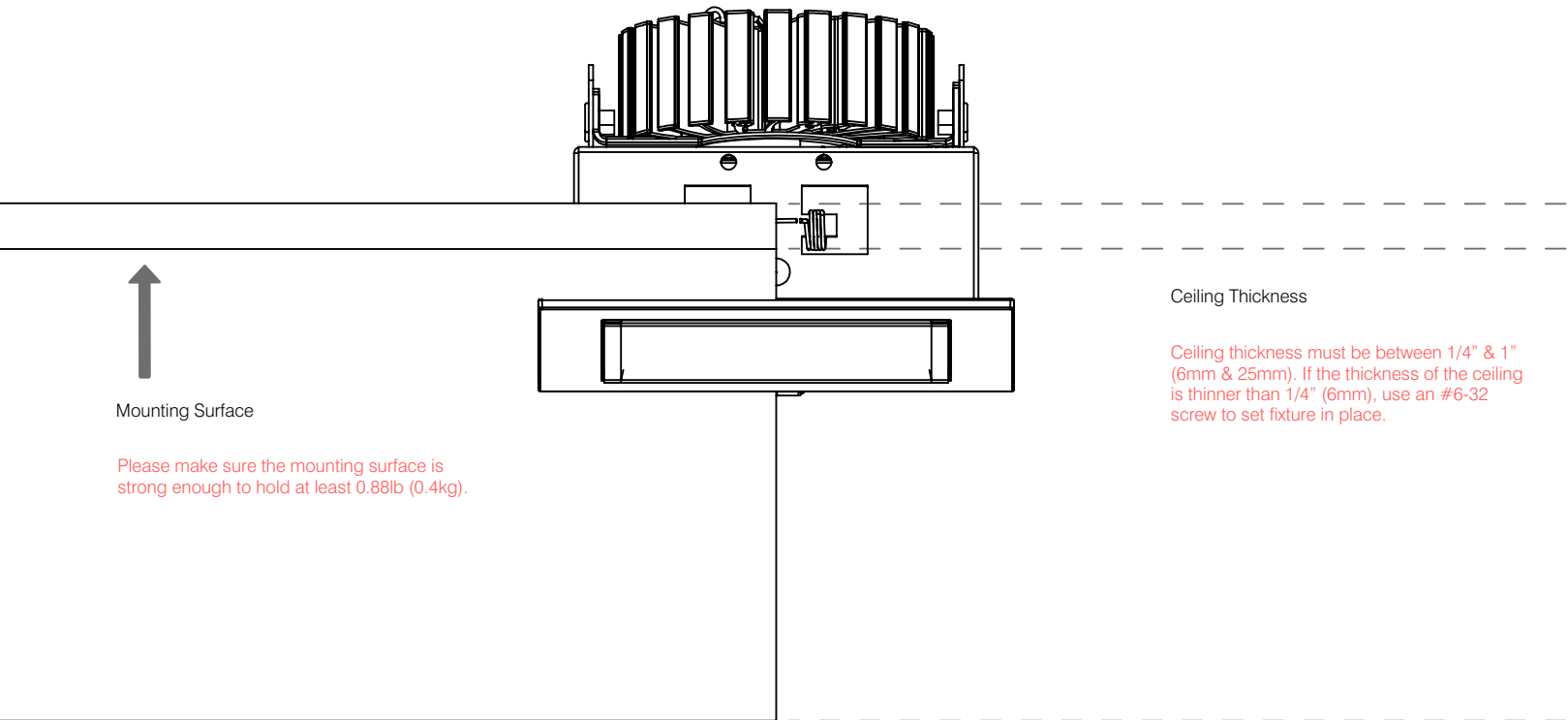


LETO 9

Overview



Ceiling Thickness

Ceiling thickness must be between 1/4" & 1" (6mm & 25mm). If the thickness of the ceiling is thinner than 1/4" (6mm), use an #6-32 screw to set fixture in place.

Mounting Surface

Please make sure the mounting surface is strong enough to hold at least 0.88lb (0.4kg).



Read and follow these instructions before installing or maintaining this product

- This product is suitable for **DRY INDOOR LOCATIONS ONLY**
- Make sure this product is **NOT** on the same circuit as inductive loads, (e.g. fluorescent bulbs, discharge bulbs, ventilation fans, etc...)
- Allow air to flow freely around the fixture
- Do not switch on line voltage until all wiring is complete
- Incorrect wiring will result in irreparable damage to LED and power supply
- This product should only be installed by a licensed electrician

Veillez lire et suivre ces instructions avant l'installation ou l'entretien de ce produit

- Ce produit convient pour une installation **DANS UN ENDROIT SEC SEULEMENT**
- Assurer vous que des charges inductives ne se retrouvent pas sur le même circuit que ce produit, (i.e. fluorescent, ampoules à décharge, ventilateurs, etc...)
- Permettre à l'air de circuler librement autour du luminaire
- Compléter les branchements avant de mettre sous tension
- Un branchement incorrect créerait des dommages irréparables à l'alimentation et au DEL
- Ce produit devrait être uniquement installé par un électricien qualifié



Warranty

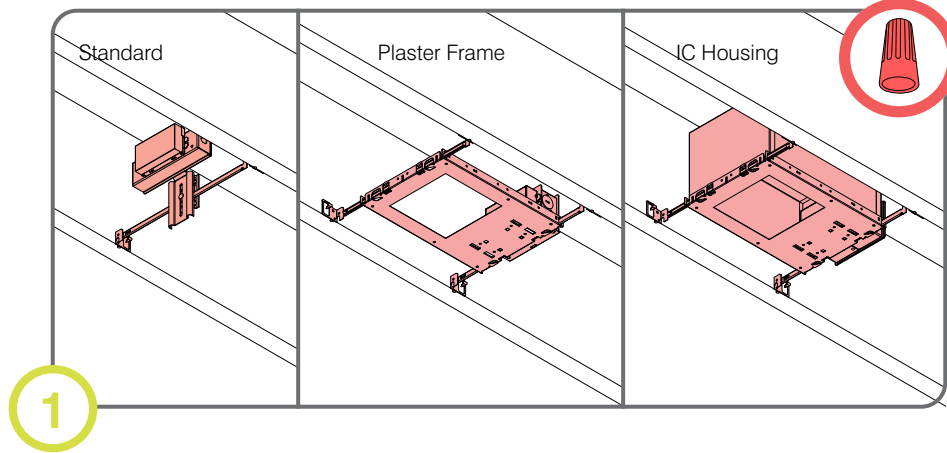
- This product must be installed in accordance with all applicable installation codes and ordinance
- Limited five (5) years warranty
- Warranty is void in the eventuality of unauthorized modifications and/or improper use

Garantie

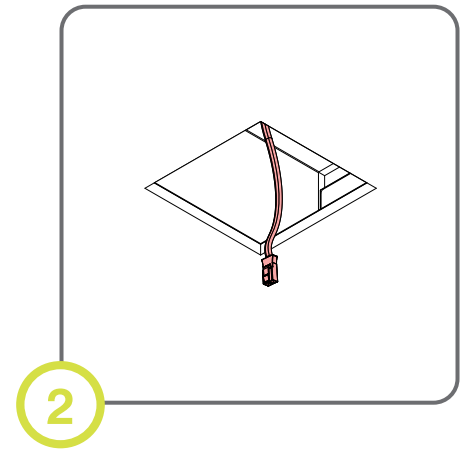
- Ce produit doit être installé conformément au code d'installation et autres normes applicables
- Garantie limitée de cinq (5) ans
- La garantie est non valide advenant une modification non autorisée ou un usage non approprié

Choose Installation Type

Housing Installation



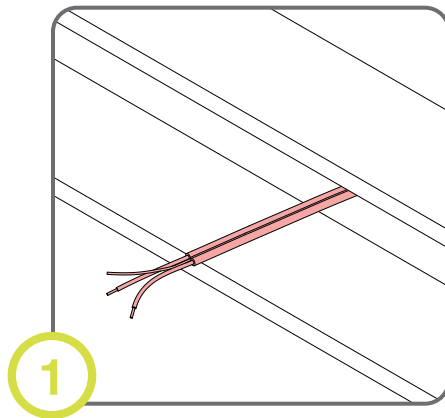
Install appropriate housing between ceiling joists. Connect the driver to the line voltage and ground to enclosure.



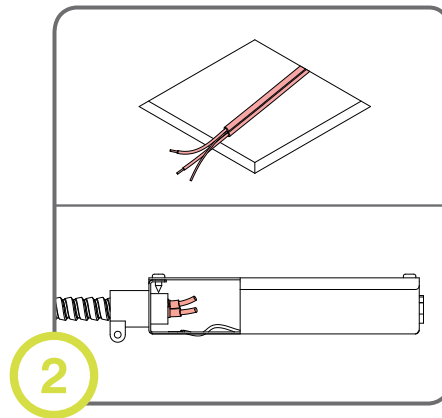
Finish ceiling installation. Make sure hole is cut to appropriate size and location.

or

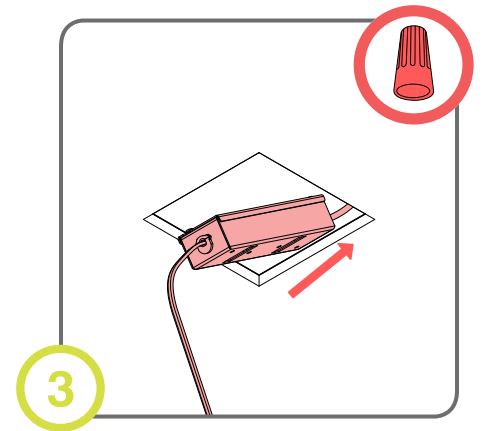
Retrofit & Non Fixed Driver Installation



Ensure wire reaches fixture location.

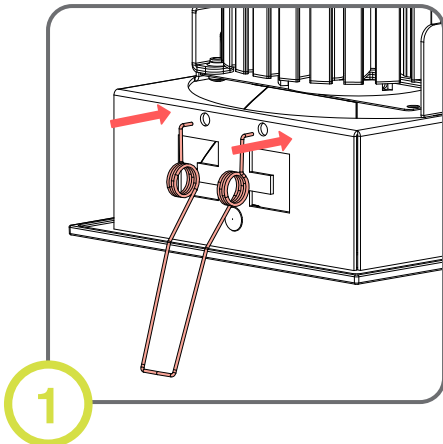


Finish ceiling installation. Make sure hole is cut to appropriate size and location.



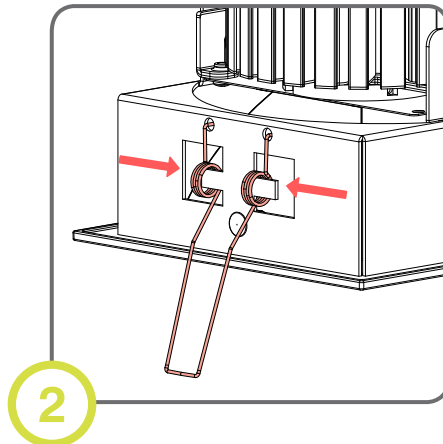
Connect the driver to the line voltage and ground to enclosure. Push driver into ceiling.

LETO 9



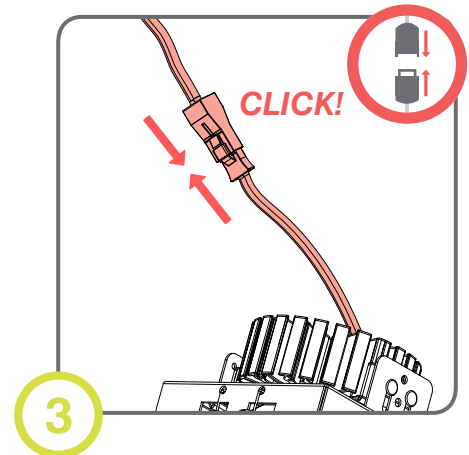
1

Insert the two ends of the springs into the two pre-drilled holes on each side of the Leto 9.



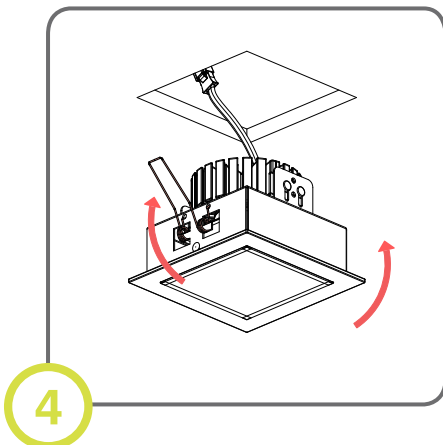
2

Once inserted, pull the coiled sections away from each other and place over the two tabs.



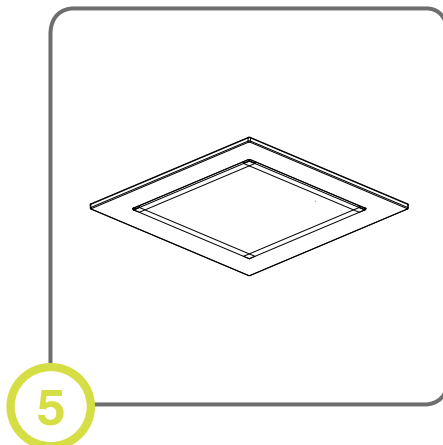
3

Ensure power is off. Lower quick connect wire from ceiling and connect to fixture until you hear a click.



4

Raise the 2 springs upward until they clear the hole in ceiling.



5



Do not scale this when printing this template.
Ne l'augmentez pas lorsque vous imprimez ce modèle.

