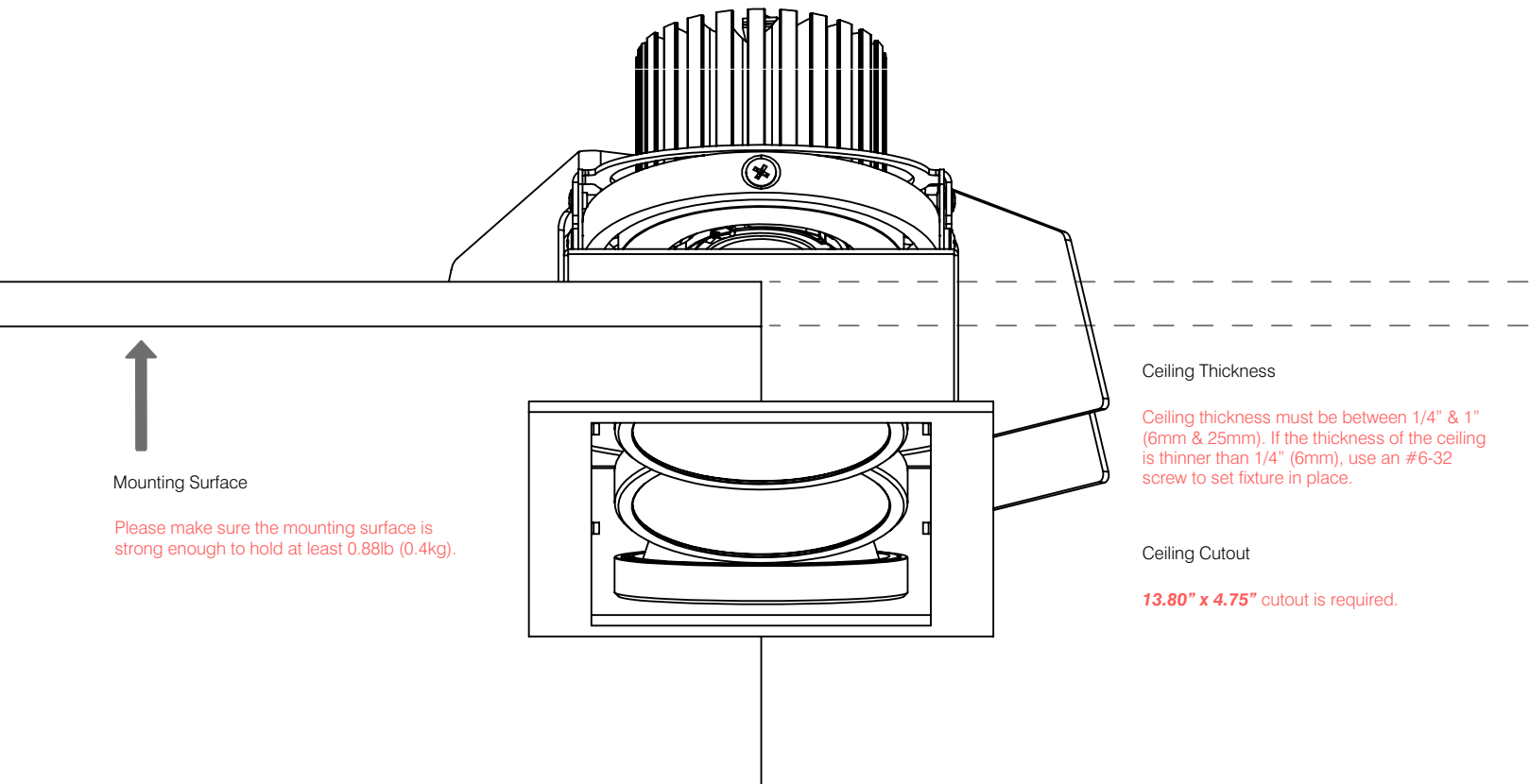


# LETO 1 Triple

## Overview



Please make sure the mounting surface is strong enough to hold at least 0.88lb (0.4kg).

Ceiling Thickness

Ceiling thickness must be between 1/4" & 1" (6mm & 25mm). If the thickness of the ceiling is thinner than 1/4" (6mm), use an #6-32 screw to set fixture in place.

Ceiling Cutout

13.80" x 4.75" cutout is required.



### Read and follow these instructions before installing or maintaining this product

- This product is suitable for **DRY INDOOR LOCATIONS ONLY**
- Make sure this product is **NOT** on the same circuit as inductive loads, (e.g. fluorescent bulbs, discharge bulbs, ventilation fans, etc...)
- Allow air to flow freely around the fixture
- Do not switch on line voltage until all wiring is complete
- Incorrect wiring will result in irreparable damage to LED and power supply
- This product should only be installed by a licensed electrician

### Veillez lire et suivre ces instructions avant l'installation ou l'entretien de ce produit

- Ce produit convient pour une installation **DANS UN ENDROIT SEC SEULEMENT**
- Assurer vous que des charges inductives ne se retrouvent pas sur le même circuit que ce produit, (i.e. fluorescent, ampoules à décharge, ventilateurs, etc...)
- Permettre à l'air de circuler librement autour du luminaire
- Compléter les branchements avant de mettre sous tension
- Un branchement incorrect créerait des dommages irréparables à l'alimentation et au DEL
- Ce produit devrait être uniquement installé par un électricien qualifié



### Warranty

- This product must be installed in accordance with all applicable installation codes and ordinance
- Limited five (5) years warranty
- Warranty is void in the eventuality of unauthorized modifications and/or improper use

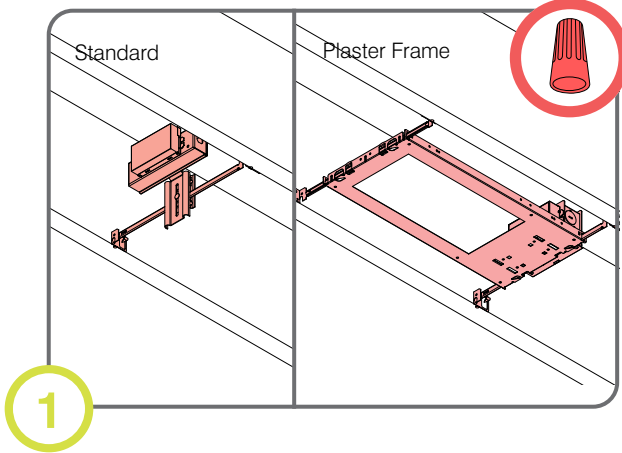
### Garantie

- Ce produit doit être installé conformément au code d'installation et autres normes applicables
- Garantie limitée de cinq (5) ans
- La garantie est non valide advenant une modification non autorisée ou un usage non approprié

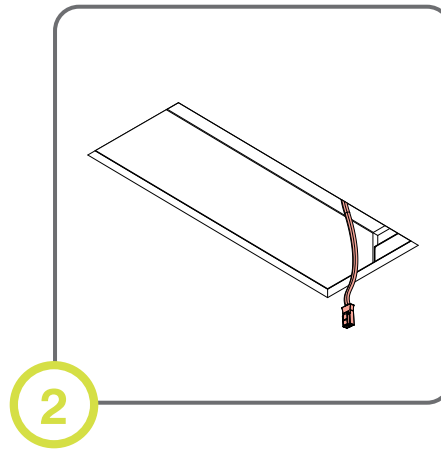
# LETO 1 Triple

## Choose Installation Type

### Housing Installation



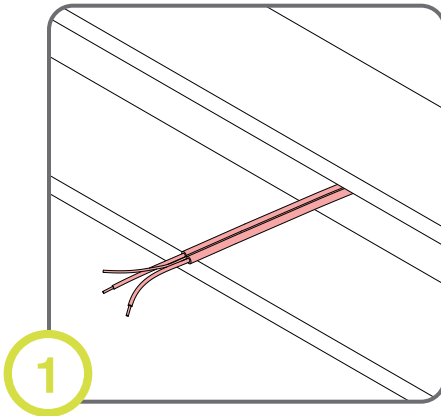
Install appropriate housing(s) between ceiling joists. Connect the driver(s) to the line voltage and ground to enclosure.



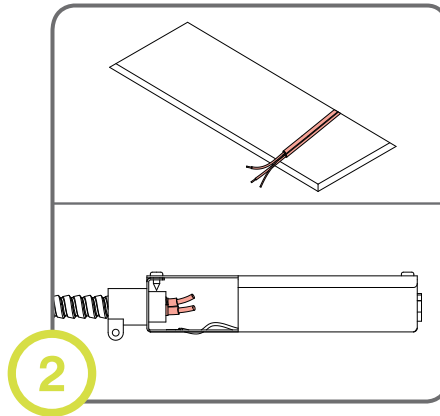
Finish ceiling installation. Make sure hole is cut to appropriate size and location.

or

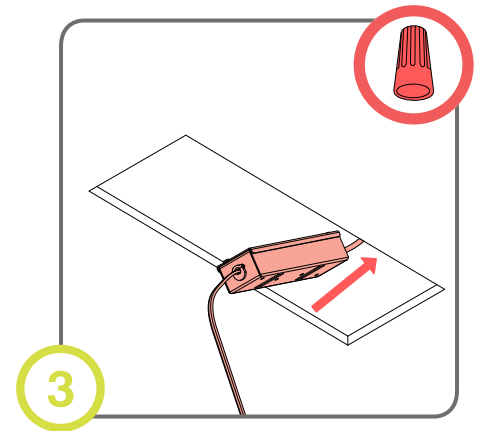
### Retrofit & Non Fixed Driver Installation



Ensure wire reaches fixture location.

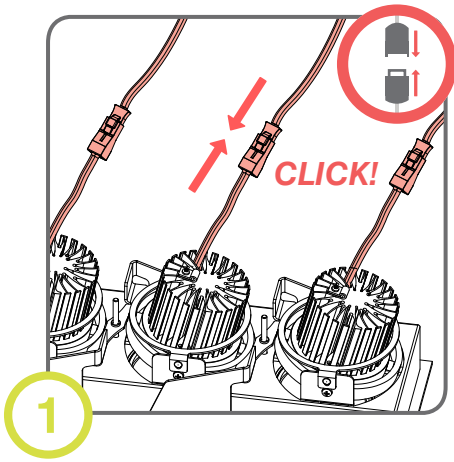


Finish ceiling installation. Make sure hole is cut to appropriate size and location.



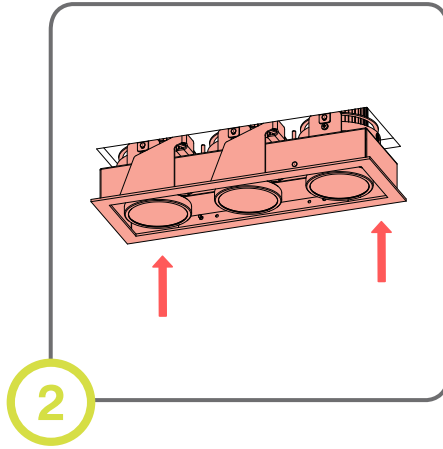
Connect the driver(s) to the line voltage and ground to enclosure. Push driver into ceiling.

# LETO 1 Triple



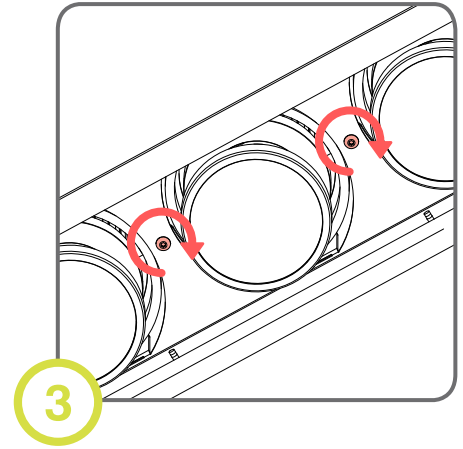
1

Ensure power is off. Lower quick connect wire from ceiling and connect to fixture until you hear a click.



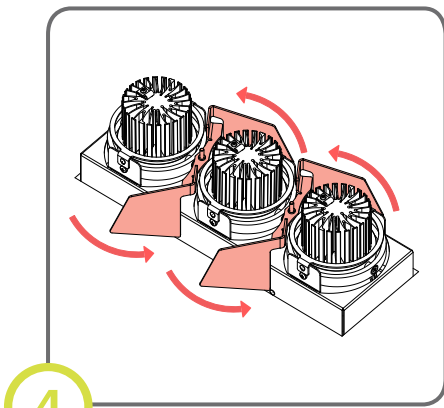
2

Push fixture into ceiling.



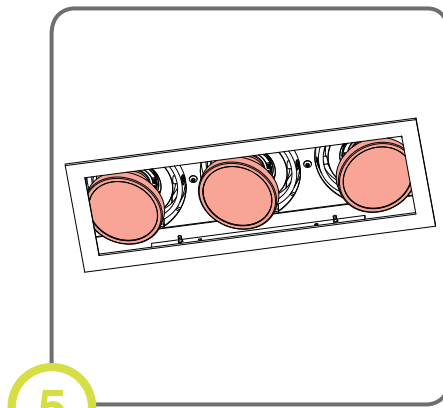
3

Tighten screw to secure fixture in place.



4

Retaining arms will extend outward.



5

Make adjustments to desired angle.