

Installation Instructions - Kurba

Models KBS-W-XX, KBM-W-XX, KBL-W-XX, KBX-W-XX, KBL-PL-XX, KBL-SN-XX

Please read all instructions prior to installation and keep for future reference!

1. PRODUCT TO BE INSTALLED BY A QUALIFIED ELECTRICIAN.
2. USE ONLY WITH CLASS 2 POWER UNIT
3. 24 VOLTS DC
4. SUITABLE FOR WET LOCATIONS, SAUNA, POOL RATED
5. POOL-RATED KURBA SHOULD BE INSTALLED WITH ARTICLE 680 OF NFPA 70, "NATIONAL ELECTRICAL CODE" (NEC)
6. NO ADHESIVE ALLOWED TO AFFIX THE PRODUCT



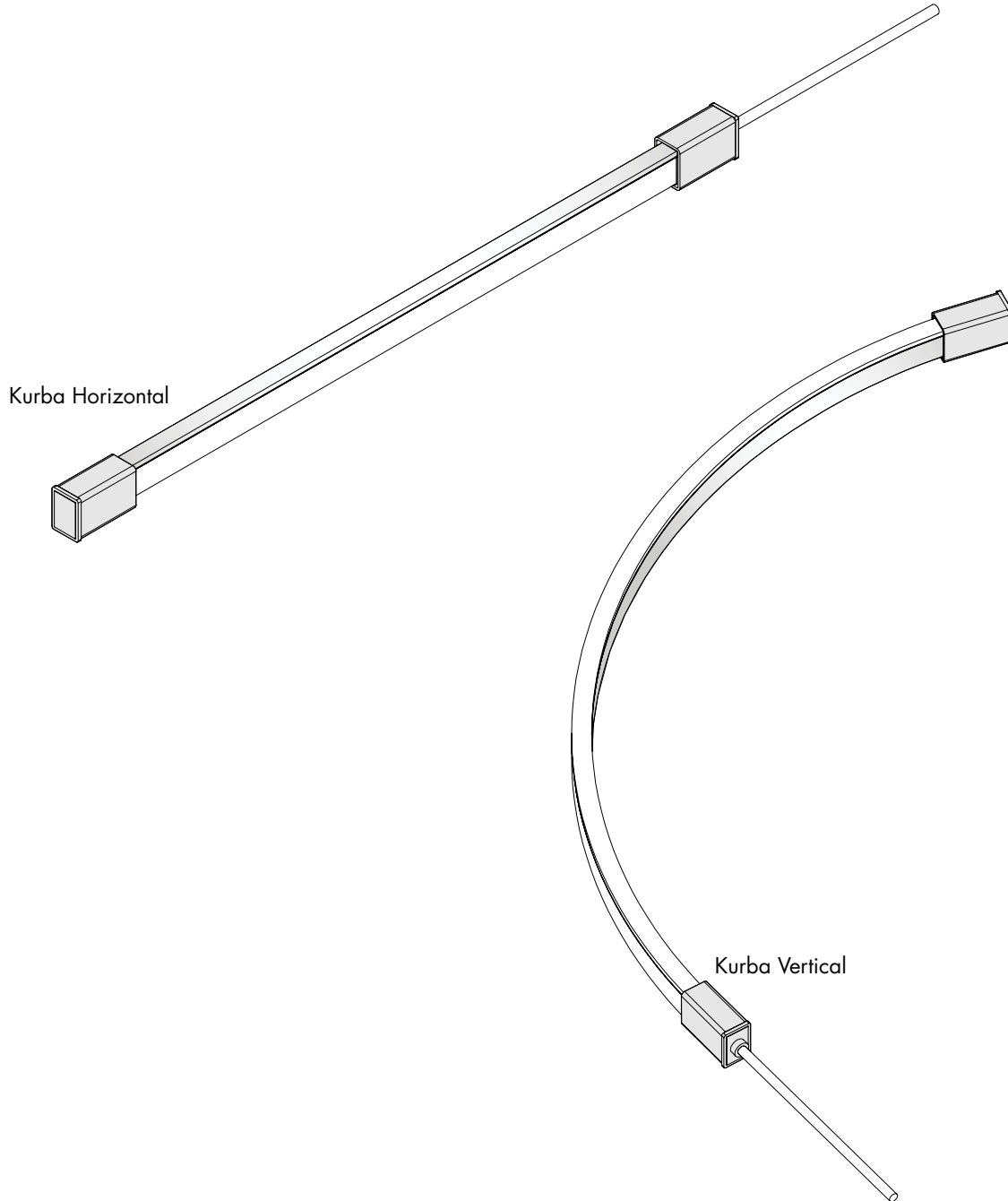
REV.0.5
12092024

1 / 10



7777 Merrimac Ave
Niles, IL 60714
T 224.333.6033
F 224.757.7557
info@luminii.com
www.luminii.com

Please read all instructions prior to installation and keep for future reference!



Installation Instructions - Kurba

Models KBS-W-XX, KBM-W-XX, KBL-W-XX, KBX-W-XX, KBL-PL-XX, KBL-SN-XX



7777 Merrimac Ave
Niles, IL 60714
T 224.333.6033
F 224.757.7557
info@luminii.com
www.luminii.com

Please read all instructions prior to installation and keep for future reference!

1. PRODUCT TO BE INSTALLED BY A QUALIFIED ELECTRICIAN.
2. USE ONLY WITH CLASS 2 POWER UNIT
3. 24 VOLTS DC
4. SUITABLE FOR WET LOCATIONS, SAUNA, POOL RATED
5. POOL-RATED KURBA SHOULD BE INSTALLED WITH ARTICLE 680 OF NFPA 70, "NATIONAL ELECTRICAL CODE" (NEC)
6. NO ADHESIVE ALLOWED TO AFFIX THE PRODUCT

REV0.5
12092024

2 / 10

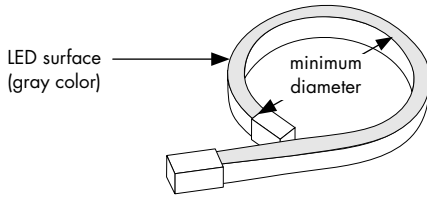
CAUTION: Reference to below before installing Kurba

When unpacking Kurba, carefully pull it out of the packaging box.
Note: Incorrect unpacking may cause PCB fracture or damage on electronic components, and lead to the failure of light. Gloves are recommended in third step.

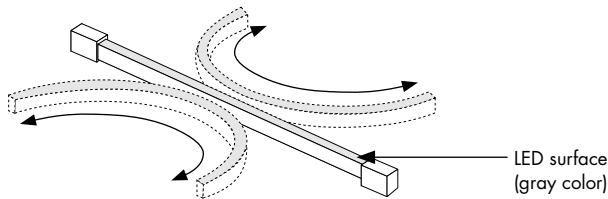
Do not pull the cable, otherwise it may disable the function of the connector and lead to water ingress. It's recommended to keep the first 2.5 inches of the cable straight and without tension.

Kurba Horizontal

CAN Bend LED in these positions to avoid damage

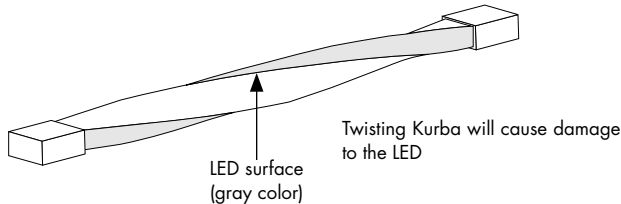


Bend in this direction only



Product Name	Minimum Diameter
Kurba Max	16.0in
Kurba Large	12.0in
Kurba Medium	5.0in
Kurba Small	4.0in

CANNOT Twisting or bending LED in these positions will cause damage to the LED

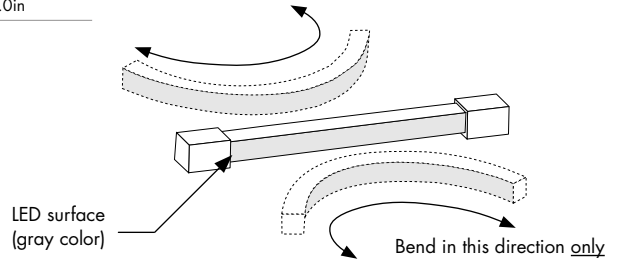
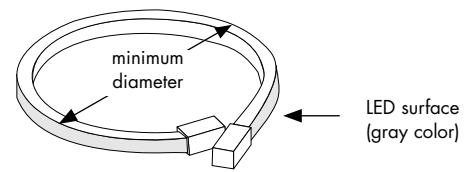


Do not make sharp bends near the endcap

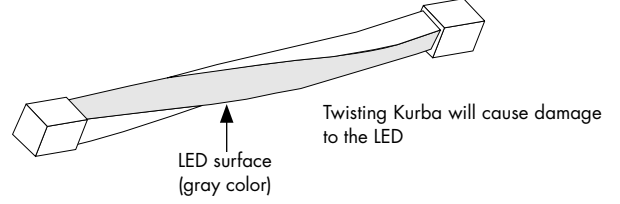
Bending in the same direction as the LED will cause damage to the LED

Kurba Vertical

CAN Bend LED in these positions to avoid damage



CANNOT Twisting or bending LED in these positions will cause damage to the LED



Do not make sharp bends near the endcap

Bending in the same direction as the LED will cause damage to the LED

Installation Instructions - Kurba

Models KBS-W-XX, KBM-W-XX, KBL-W-XX, KBX-W-XX, KBL-PL-XX, KBL-SN-XX



7777 Merrimac Ave
Niles, IL 60714
T 224.333.6033
F 224.757.7557
info@luminii.com
www.luminii.com

REV.0.5
12092024

3 / 10

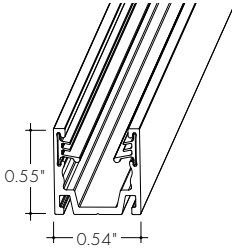
Please read all instructions prior to installation and keep for future reference!

1. PRODUCT TO BE INSTALLED BY A QUALIFIED ELECTRICIAN.
2. USE ONLY WITH CLASS 2 POWER UNIT
3. 24 VOLTS DC
4. SUITABLE FOR WET LOCATIONS, SAUNA, POOL RATED
5. POOL-RATED KURBA SHOULD BE INSTALLED WITH ARTICLE 680 OF NFPA 70, "NATIONAL ELECTRICAL CODE" (NEC)
6. NO ADHESIVE ALLOWED TO AFFIX THE PRODUCT

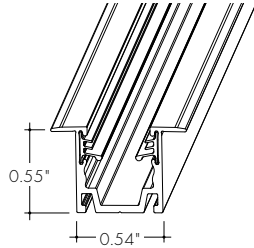
1

NOTE: All straight mounting channels listed below should refer to this step during the installation.

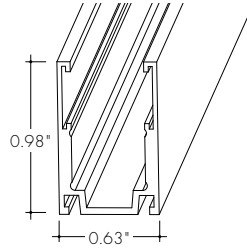
Straight mounting channels



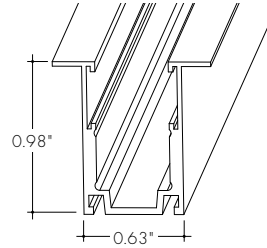
KBS Mounting Channel, Serrated Aluminum Profile



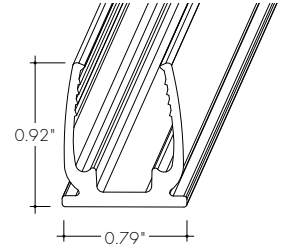
KBS Mounting Channel, Flanged Serrated Aluminum Profile



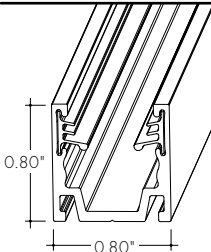
KBM Mounting Channel, Serrated Aluminum Profile



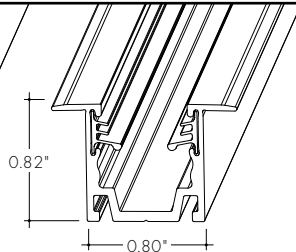
KBM Mounting Channel, Flanged Serrated Aluminum Profile



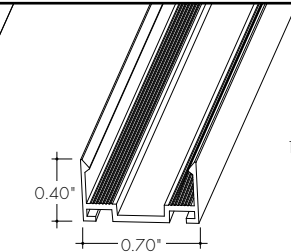
Thickened Plastic Mounting Channel



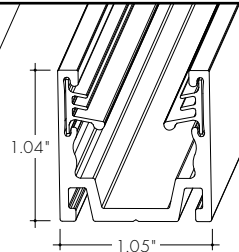
KBL Mounting Channel, Serrated Aluminum Profile



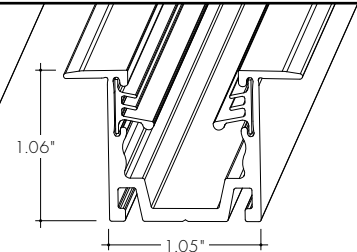
KBL Mounting Channel, Flanged Serrated Aluminum Profile



KBL 3-Side Emitting Mounting Channel, Serrated Aluminum Profile



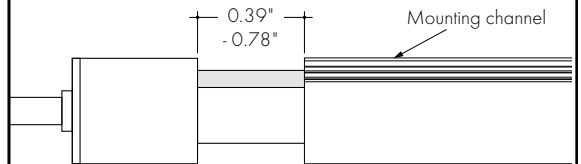
KBX Mounting Channel, Serrated Aluminum Profile



KBX Mounting Channel, Flanged Serrated Aluminum Profile

NOTE: Prior to installation all 24VDC wires must be present within 72" of the installation. Refer to the power supply installation instruction for additional information.

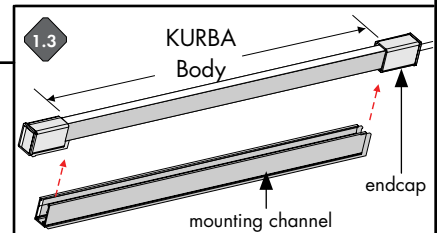
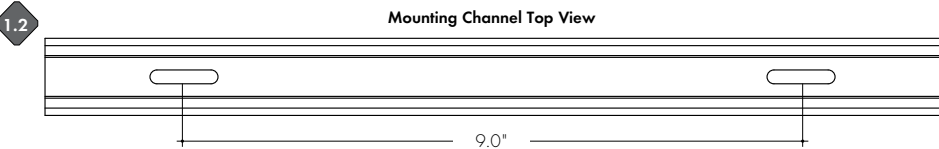
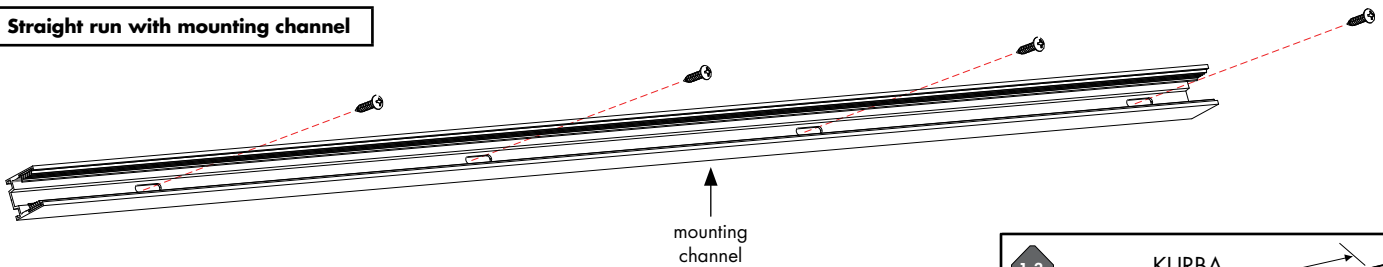
NOTE: More than one person is recommended for this installation.



NOTE: Keep a 0.39" - 0.79" spacing between the end of the fixture and the mounting channel

- 1.1 Once the location or pattern is determined for Kurba to be installed, start off by marking the area. Amount of brackets may vary dependant upon pattern. Reference diagrams below.

Straight run with mounting channel



- 1.2 Drill holes into the surface 9" apart from each other, followed by placing the mounting channel to the surface. Make sure its straight by using a level.
- 1.3 Secure channel to the surface by tightening all the provided screws. If mounting to something other than wood, we recommend using the proper hardware.

Installation Instructions - Kurba

Models KBS-W-XX, KBM-W-XX, KBL-W-XX, KBX-W-XX, KBL-PL-XX, KBL-SN-XX



7777 Merrimac Ave
Niles, IL 60714
T 224.333.6033
F 224.757.7557
info@luminii.com
www.luminii.com

REV.0.5
12092024

4 / 10

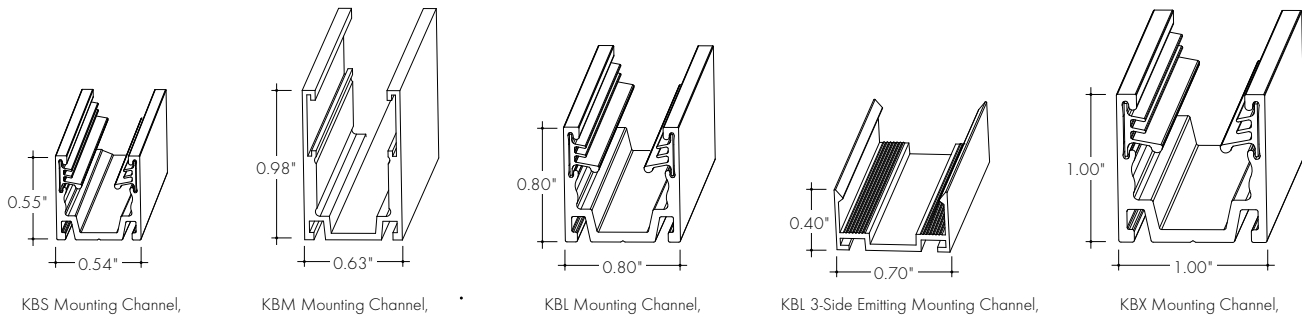
Please read all instructions prior to installation and keep for future reference!

1. PRODUCT TO BE INSTALLED BY A QUALIFIED ELECTRICIAN.
2. USE ONLY WITH CLASS 2 POWER UNIT
3. 24 VOLTS DC
4. SUITABLE FOR WET LOCATIONS, SAUNA, POOL RATED
5. POOL-RATED KURBA SHOULD BE INSTALLED WITH ARTICLE 680 OF NFPA 70, "NATIONAL ELECTRICAL CODE" (NEC)
6. NO ADHESIVE ALLOWED TO AFFIX THE PRODUCT

2

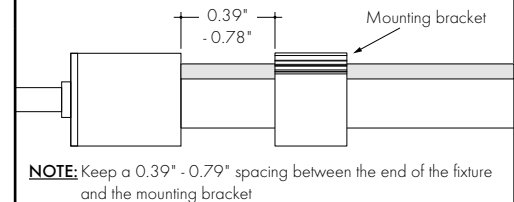
NOTE: All straight mounting channels listed below should refer to this step during the installation.

Mounting brackets



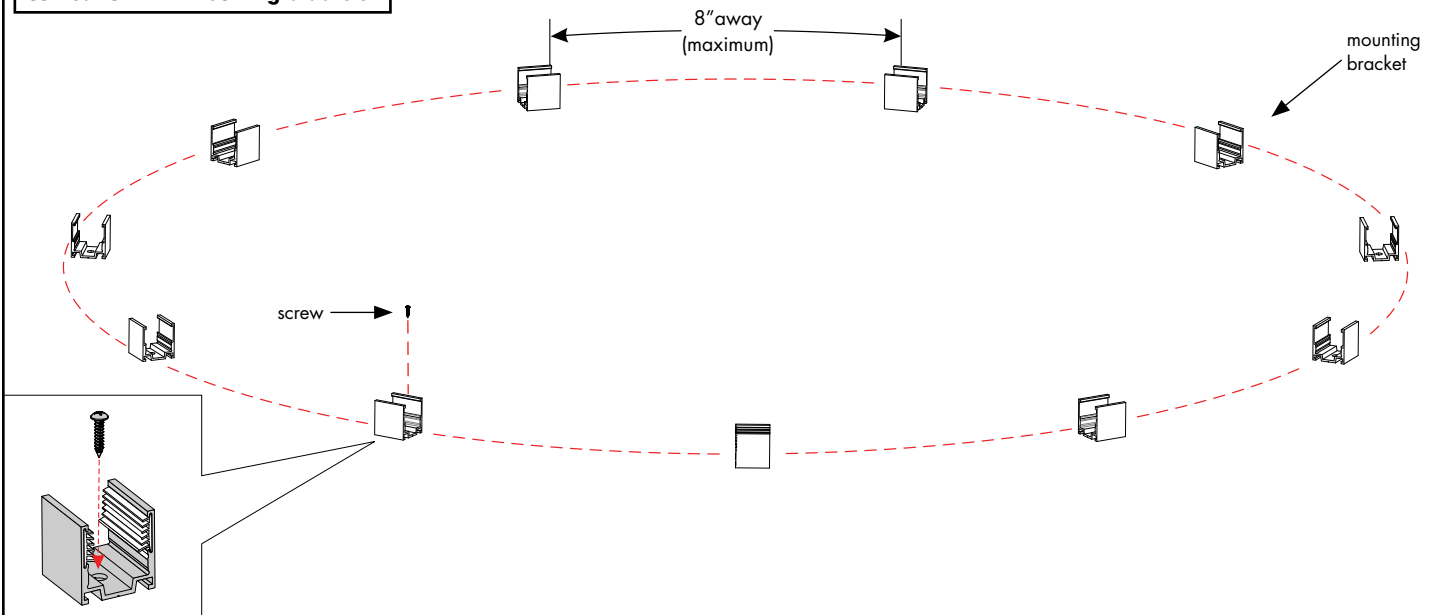
NOTE: Prior to installation all 24VDC wires must be present within 72" of the installation. Refer to the power supply installation instruction for additional information.

NOTE: More than one person is recommended for this installation.



2.1 Once the location or pattern is determined for Kurba to be installed, start off by marking the area. Amount of brackets may vary dependant upon pattern. Reference diagrams below.

Curved run with mounting brackets



2.2 Determine the shape of the Kurba layout, then mark the pattern onto the surface. Then, place a mounting bracket every 8" (minimum). The pattern may vary dependant upon the amount of curves.

2.3 Secure the mounting brackets to the surface by tightening the screw. If mounting to something other than wood, we recommend using the proper hardware.

Installation Instructions - Kurba

Models KBS-W-XX, KBM-W-XX, KBL-W-XX, KBX-W-XX, KBL-PL-XX, KBL-SN-XX



7777 Merrimac Ave
Niles, IL 60714
T 224.333.6033
F 224.757.7557
info@luminii.com
www.luminii.com

Please read all instructions prior to installation and keep for future reference!

1. PRODUCT TO BE INSTALLED BY A QUALIFIED ELECTRICIAN.
2. USE ONLY WITH CLASS 2 POWER UNIT
3. 24 VOLTS DC
4. SUITABLE FOR WET LOCATIONS, SAUNA, POOL RATED
5. POOL-RATED KURBA SHOULD BE INSTALLED WITH ARTICLE 680 OF NFPA 70, "NATIONAL ELECTRICAL CODE" (NEC)
6. NO ADHESIVE ALLOWED TO AFFIX THE PRODUCT

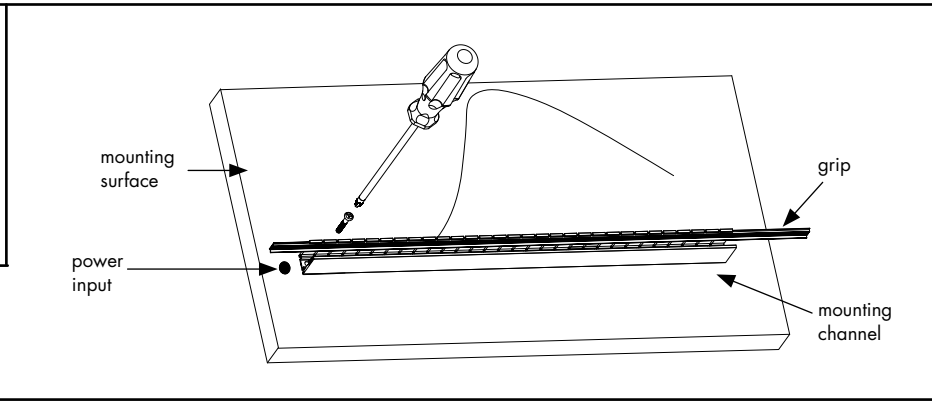
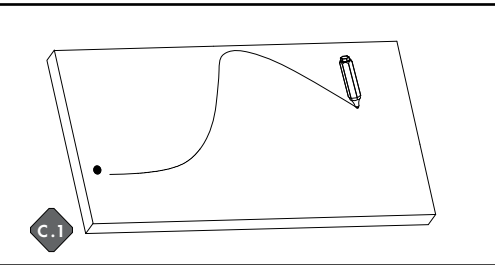
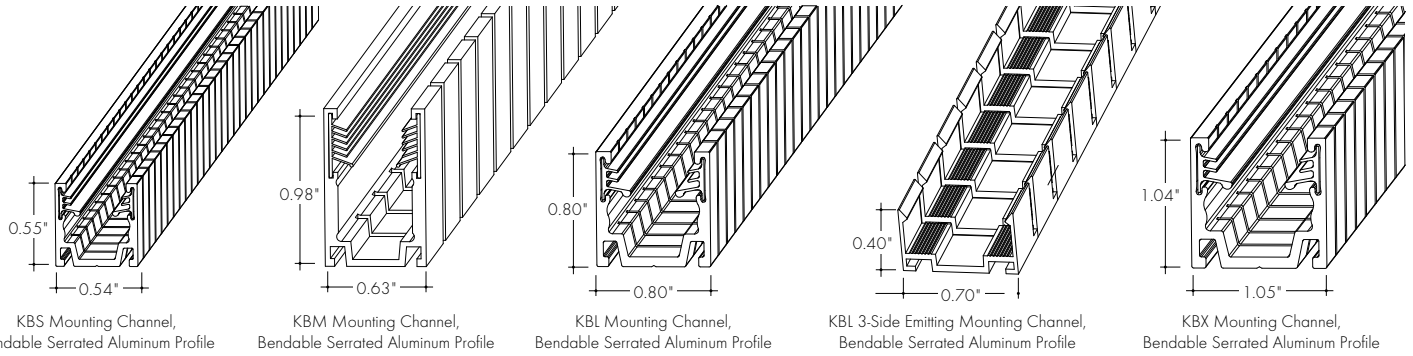
REV.0.5
12092024

5 / 10

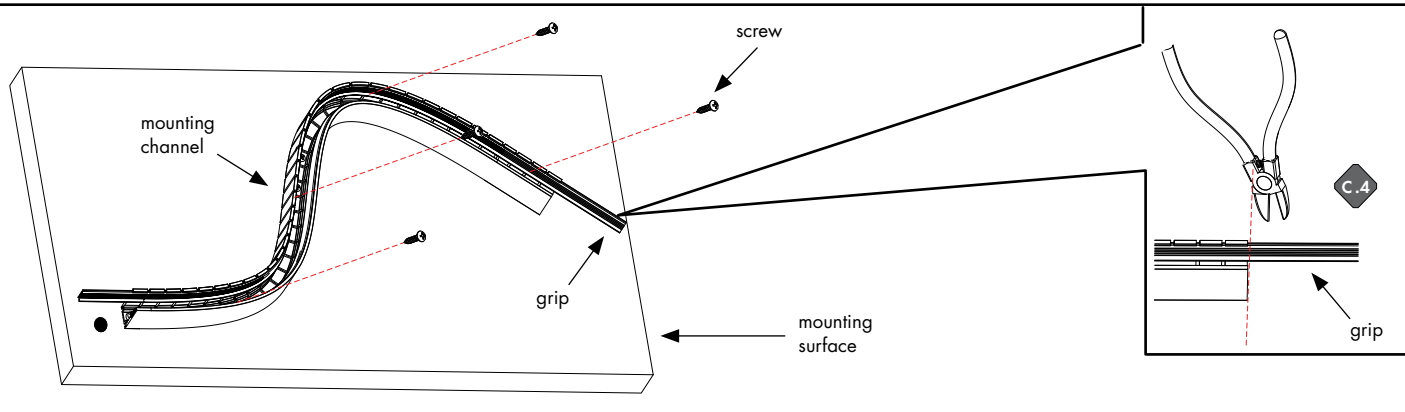
2

NOTE: All straight mounting channels listed below should refer to this step during the installation.

Bendable Mounting Channel with Grip



- C.1** Mark the required shape on the mounting surface.
- C.2** Fix the screw starting from the power input end. Keep some distance between the channel and power input.



- C.3** Fix the rest in sequence along with the marks.
- C.4** Adjust the serrate silicone tape and remove the extra lengths at both ends.

Installation Instructions - Kurba

Models KBS-W-XX, KBM-W-XX, KBL-W-XX, KBX-W-XX, KBL-PL-XX, KBL-SN-XX



7777 Merrimac Ave
Niles, IL 60714
T 224.333.6033
F 224.757.7557
info@luminii.com
www.luminii.com

Please read all instructions prior to installation and keep for future reference!

1. PRODUCT TO BE INSTALLED BY A QUALIFIED ELECTRICIAN.
2. USE ONLY WITH CLASS 2 POWER UNIT
3. 24 VOLTS DC
4. SUITABLE FOR WET LOCATIONS, SAUNA, POOL RATED
5. POOL-RATED KURBA SHOULD BE INSTALLED WITH ARTICLE 680 OF NFPA 70, "NATIONAL ELECTRICAL CODE" (NEC)
6. NO ADHESIVE ALLOWED TO AFFIX THE PRODUCT

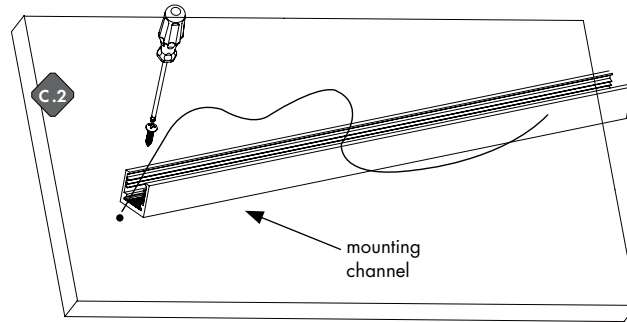
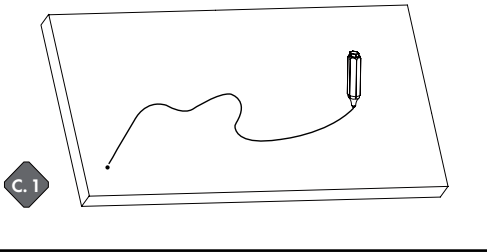
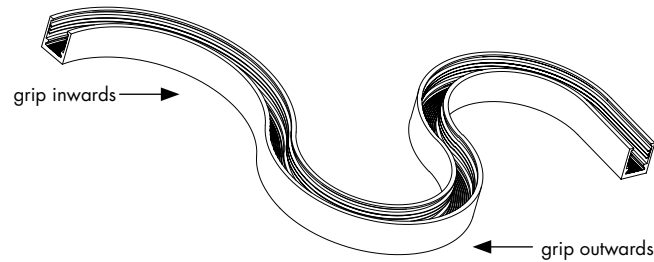
REV.0.5
12092024

6 / 10

2

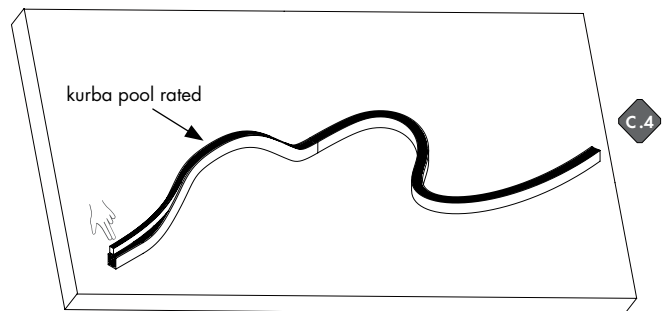
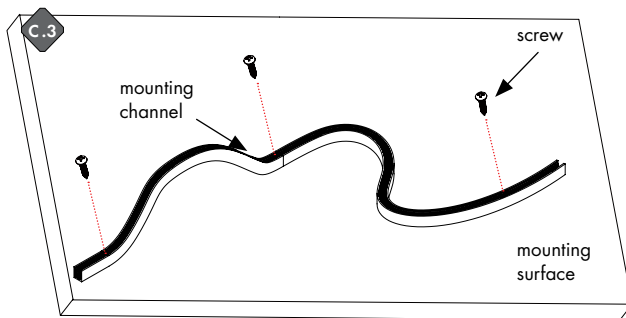
NOTE: All straight mounting channels listed below should refer to this step during the installation.

KBL Mounting Channel, Bendable Anole Profile



C.1 Mark the required shape on the mounting surface.

C.2 Fix the screw starting from the power input end. Keep some distance between the channel and power input.



C.3 Secure the channel with screws

C.4 Insert kurba to mounting channel.

Installation Instructions - Kurba

Models KBS-W-XX, KBM-W-XX, KBL-W-XX, KBX-W-XX, KBL-PL-XX, KBL-SN-XX



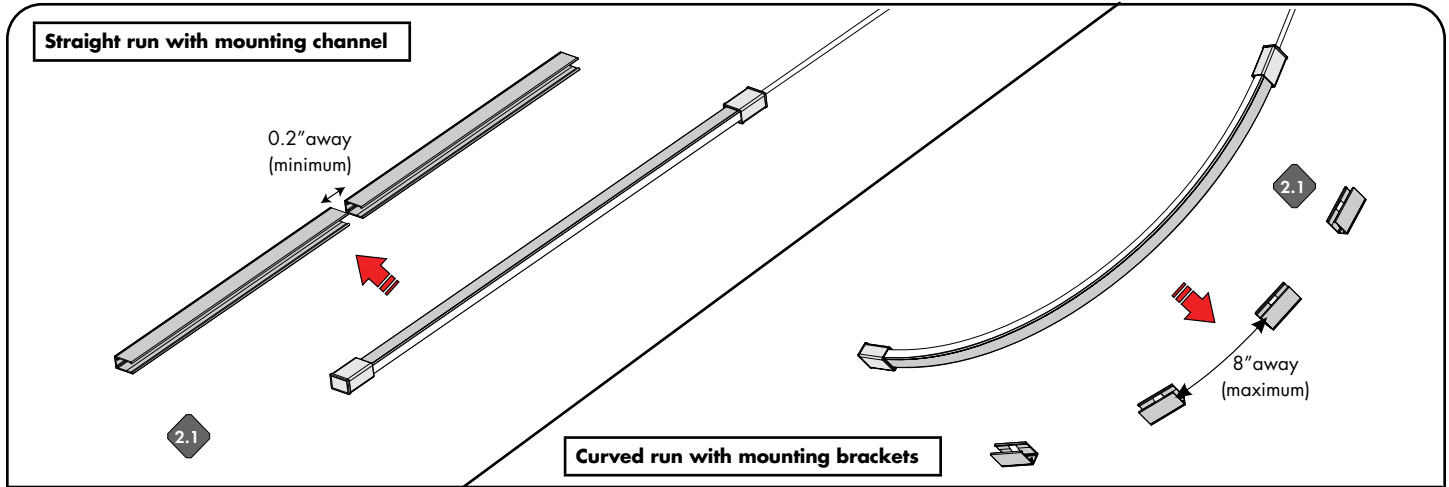
7777 Merrimac Ave
Niles, IL 60714
T 224.333.6033
F 224.757.7557
info@luminii.com
www.luminii.com

REV.0.5
12092024

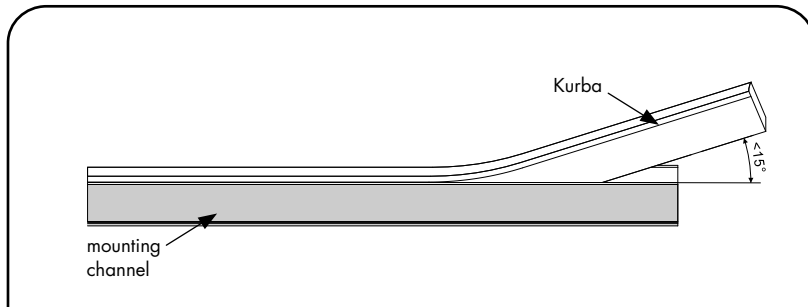
7 / 10

Please read all instructions prior to installation and keep for future reference!

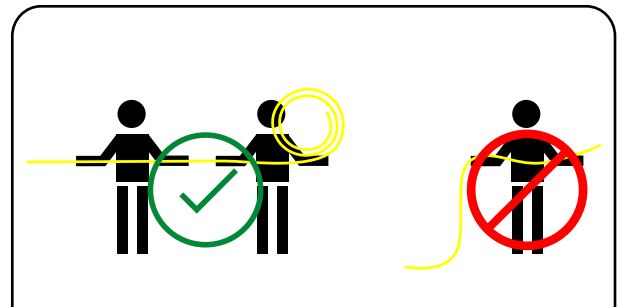
1. PRODUCT TO BE INSTALLED BY A QUALIFIED ELECTRICIAN.
2. USE ONLY WITH CLASS 2 POWER UNIT
3. 24 VOLTS DC
4. SUITABLE FOR WET LOCATIONS, SAUNA, POOL RATED
5. POOL-RATED KURBA SHOULD BE INSTALLED WITH ARTICLE 680 OF NFPA 70, "NATIONAL ELECTRICAL CODE" (NEC)
6. NO ADHESIVE ALLOWED TO AFFIX THE PRODUCT



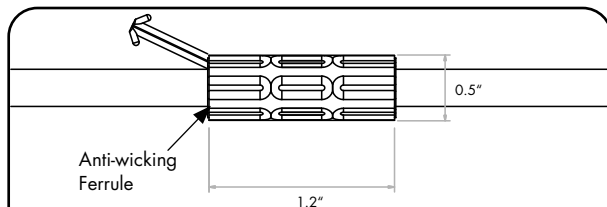
2.1 Carefully push the Kurba onto the channel or mounting brackets using your palms, then press in completely to secure in place.



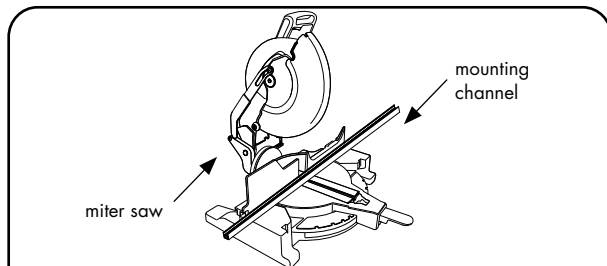
Make sure the angle between the light and profile is not bigger than 15°, otherwise Kurba might be damaged.



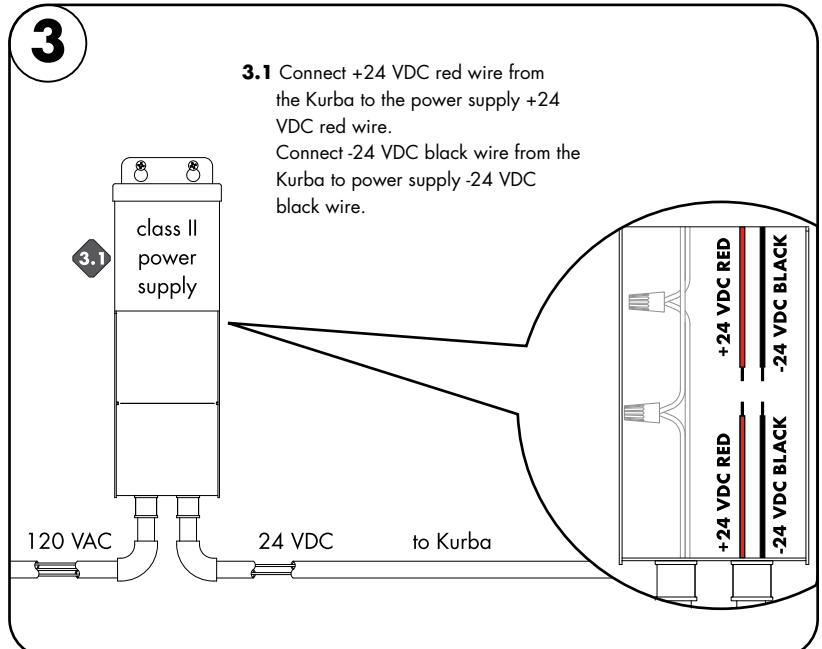
When light length longer than 6ft, make sure somebody helps to lift the light, in case the heavy weight of light itself generates too small bending angle or twisting, which may damage Kurba.



The removal of anti-wicking ferrule will increase the risk of water ingress and void the warranty out of it. For underwater application, do not immerse antiwicking ferrule in the water.



If needed, use miter saw to cut mounting channels into desired length



3.1 Connect +24 VDC red wire from the Kurba to the power supply +24 VDC red wire.
Connect -24 VDC black wire from the Kurba to power supply -24 VDC black wire.

Installation Instructions - Kurba

Models KBS-W-XX, KBM-W-XX, KBL-W-XX, KBX-W-XX, KBL-PL-XX, KBL-SN-XX



7777 Merrimac Ave
Niles, IL 60714
T 224.333.6033
F 224.757.7557
info@luminii.com
www.luminii.com

REVO.5
12092024

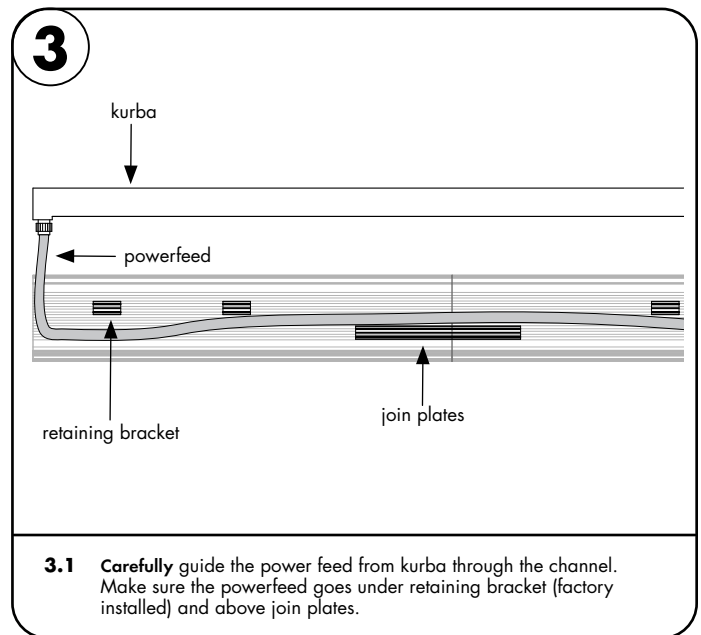
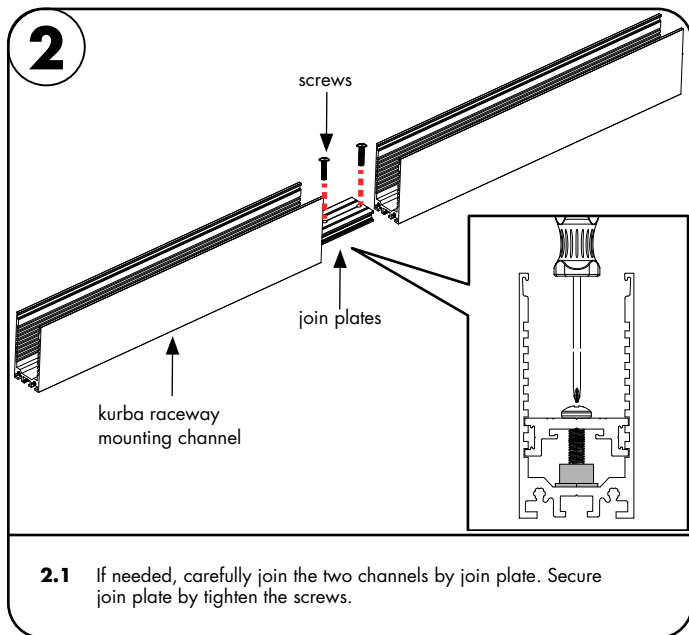
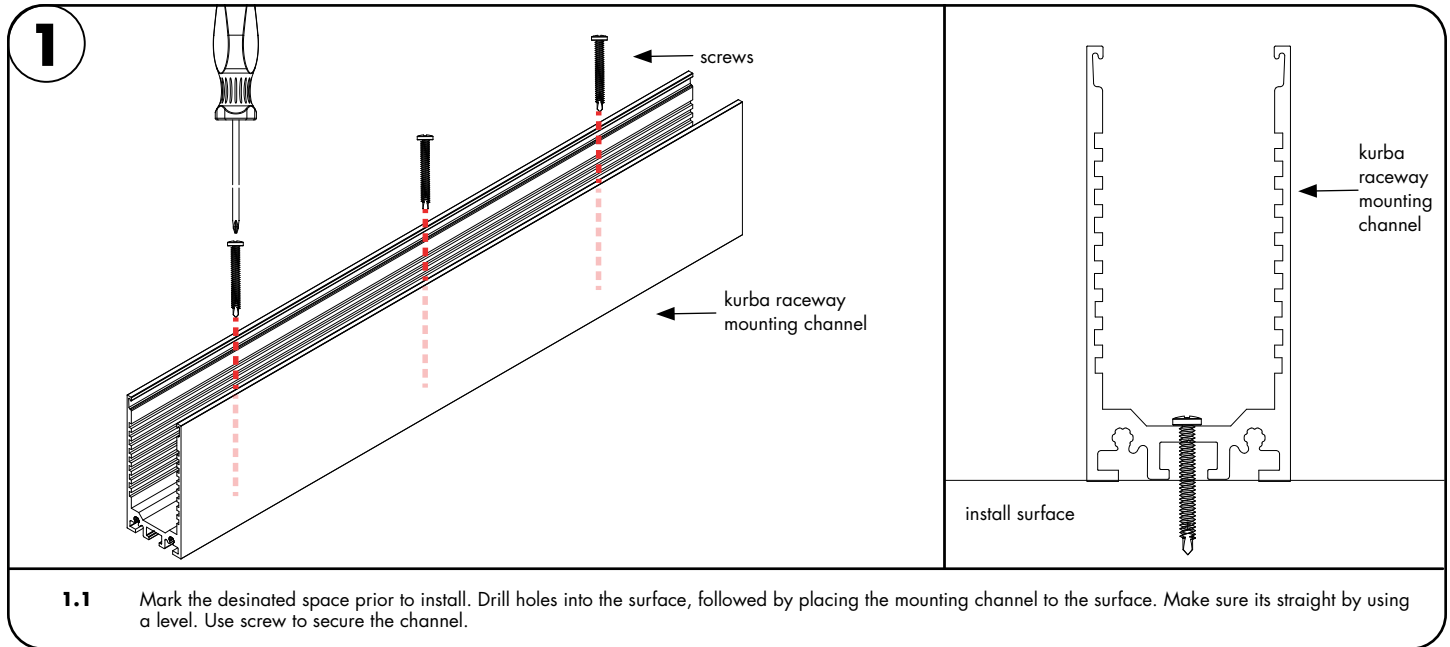
8 / 10

Please read all instructions prior to installation and keep for future reference!

1. PRODUCT TO BE INSTALLED BY A QUALIFIED ELECTRICIAN.
2. USE ONLY WITH CLASS 2 POWER UNIT
3. 24 VOLTS DC
4. SUITABLE FOR WET LOCATIONS, SAUNA, POOL RATED
5. POOL-RATED KURBA SHOULD BE INSTALLED WITH ARTICLE 680 OF NFPA 70, "NATIONAL ELECTRICAL CODE" (NEC)
6. NO ADHESIVE ALLOWED TO AFFIX THE PRODUCT

Kurba Raceway Mounting Channel

only applicable to KBM and KBL



Installation Instructions - Kurba

Models KBS-W-XX, KBM-W-XX, KBL-W-XX, KBX-W-XX, KBL-PL-XX, KBL-SN-XX



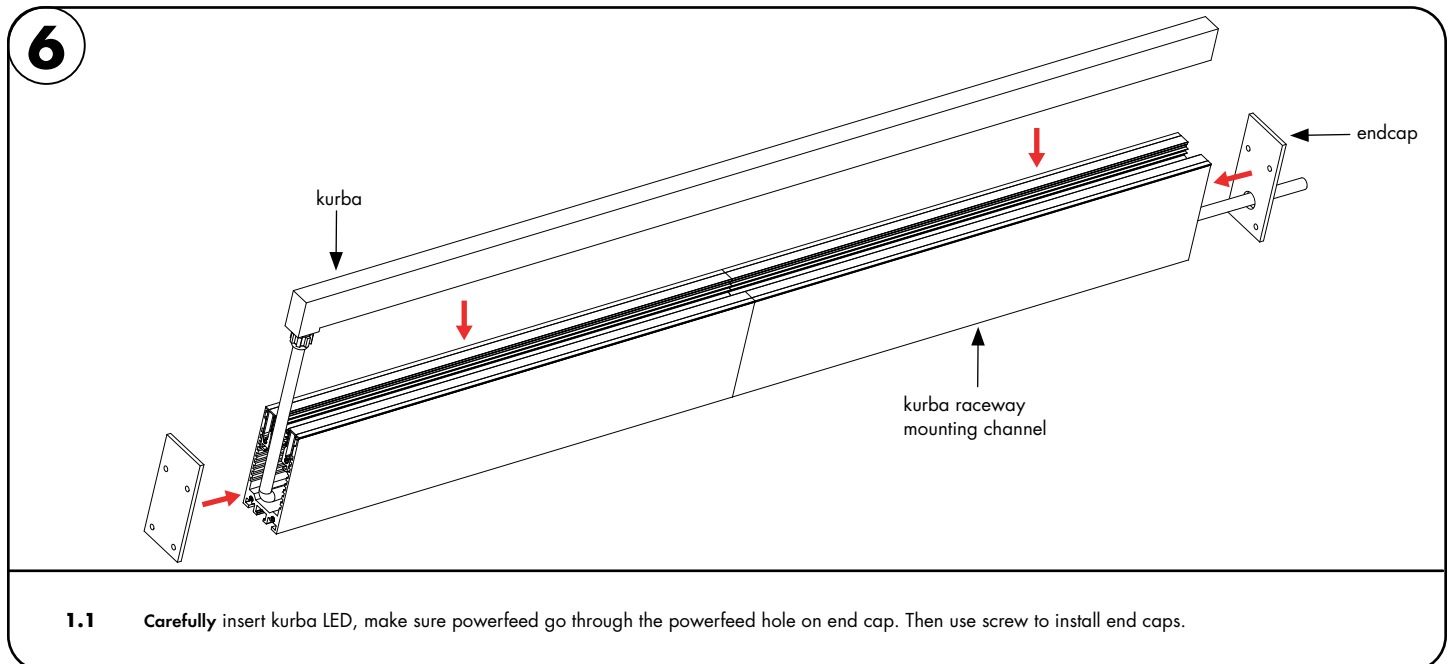
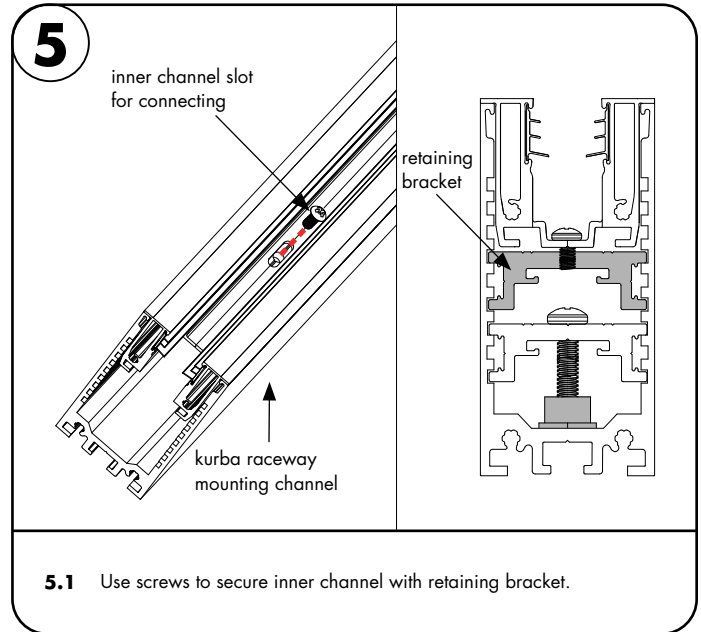
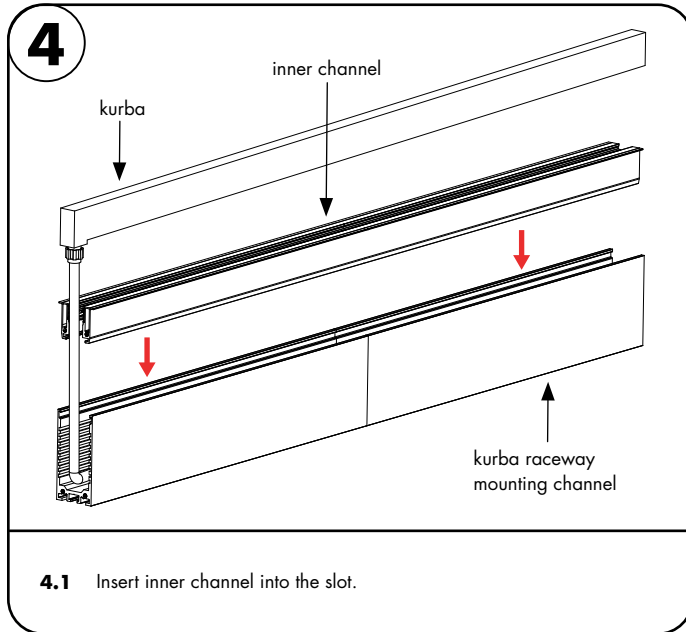
7777 Merrimac Ave
Niles, IL 60714
T 224.333.6033
F 224.757.7557
info@luminii.com
www.luminii.com

Please read all instructions prior to installation and keep for future reference!

1. PRODUCT TO BE INSTALLED BY A QUALIFIED ELECTRICIAN.
2. USE ONLY WITH CLASS 2 POWER UNIT
3. 24 VOLTS DC
4. SUITABLE FOR WET LOCATIONS, SAUNA, POOL RATED
5. POOL-RATED KURBA SHOULD BE INSTALLED WITH ARTICLE 680 OF NFPA 70, "NATIONAL ELECTRICAL CODE" (NEC)
6. NO ADHESIVE ALLOWED TO AFFIX THE PRODUCT

REV.0.5
12092024

9 / 10



Installation Instructions - Kurba

Models KBS-W-XX, KBM-W-XX, KBL-W-XX, KBX-W-XX, KBL-PL-XX, KBL-SN-XX



7777 Merrimac Ave
Niles, IL 60714
T 224.333.6033
F 224.757.7557
info@luminii.com
www.luminii.com

Please read all instructions prior to installation and keep for future reference!

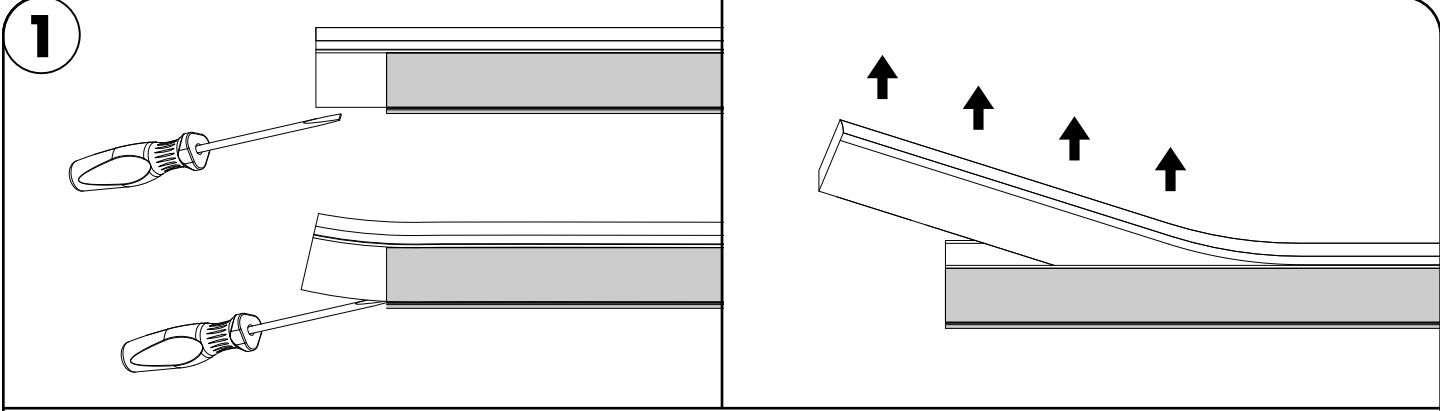
1. PRODUCT TO BE INSTALLED BY A QUALIFIED ELECTRICIAN.
2. USE ONLY WITH CLASS 2 POWER UNIT
3. 24 VOLTS DC
4. SUITABLE FOR WET LOCATIONS, SAUNA, POOL RATED
5. POOL-RATED KURBA SHOULD BE INSTALLED WITH ARTICLE 680 OF NFPA 70, "NATIONAL ELECTRICAL CODE" (NEC)
6. NO ADHESIVE ALLOWED TO AFFIX THE PRODUCT

REVO.5
12092024

10 / 10

Removing Kurba from Mounting Brackets

1



1.1 To remove Kurba fixture from mounting bracket, gently push a **FLAT** head screw driver between the **BOTTOM** of the fixture and the mounting bracket, carefully pry up the Kurba Fixture. Once Kurba fixture has started coming out of the bracket, stop using the screw driver and instead use your hands and fingers to pull the fixture out of the bracket making sure to keep it at a 15° angle.

Power Supply Wiring Diagram

Note: Prior to installation all 24VDC wires must be present near fixture. Refer to the power supply installation instructions for additional information.



Static White
Wiring Diagram PDF