

### Features

Kurba Grazer 3D™ is a wall grazing, energy efficient and flexible LED strip suitable for wet locations capable of vertical/top bends down to 8" radius and Horizontal/side bends up down 16" radius. The silicone material offers excellent heat, weather, UV, and solvent resistance and has a special coating to repel dust and dirt accumulation.

#### Applications

Outdoor wet location

#### Operating Voltage

24VDC

#### Operating Temperature

-40°F to 131°F (-40°C to 55°C)

#### Average Life (L70)

50,000 hours

#### Dimming

100% - 1% Dimming with compatible power supply

#### Approvals

Class 2 wet listed, IP67

#### Warranty

3 years

### Finish Options

White  Black



### Technical Information

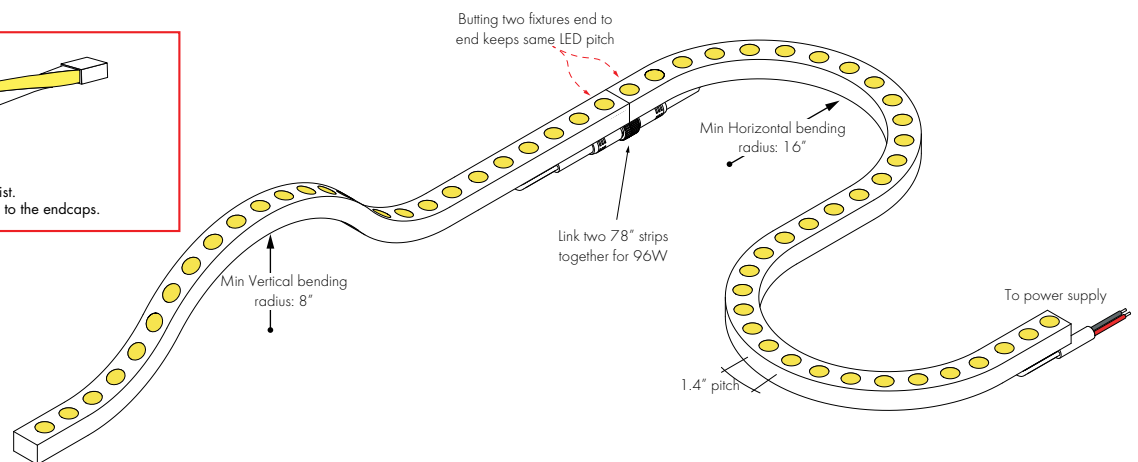
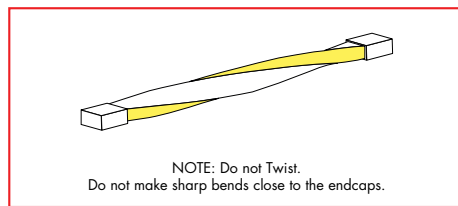
Finish Option	White	Black
Output	950	950
Light Output at 3000K	548 lm/ft	457 lm/ft
Average Power Consumption at 4'	7.32 W/ft	7.32 W/ft
Efficacy	75 lm/W	62 lm/W
Ordering Increment	9.84"	9.84"
Maximum Run Length (per strip)	78"	78"
Maximum Run Length (In Series)	156"	156"

### CCT INFO / LUMEN MULTIPLIER

Color Temperature	Multiplier (ref. -3000K)
2700K	0.94
3000K	1.00
4000K	1.05

CRI: 80

### Constraints



### Ordering Code

MODEL	RATING	BEND DIRECTION	LENGTH	OUTPUT <sup>1</sup>	CCT	LENS	MOUNTING	FINISH	FEED POSITION LEFT	FEED POSITION RIGHT
KBG - Kurba Grazer 3D™	W - Wet	3D - 3D Bending	SEE PCC CHART ON PAGE 4	950 - Standard	27K - 2700K 30K - 3000K 40K - 4000K	20X20 - Grazer (20°) 20X30 - Elliptical Beam (20°x30°) 20X50 - Elliptical Beam (20°x50°)	NA - See Page 3 for orderable mounting accessories	WH - White BK - Black	INJECTION MOLD <sup>2</sup> IMB - Back Wire Feed <sup>3</sup> NPF - No Power Feed <sup>4</sup>	INJECTION MOLD <sup>2</sup> IMB - Back Wire Feed <sup>3</sup> NPF - No Power Feed <sup>4</sup>
									QUICK CONNECT IMFB - Back Female QC <sup>5</sup> IMMB - Back Male QC <sup>5</sup> NPF - No Power Feed <sup>4</sup>	QUICK CONNECT IMFB - Back Female QC <sup>5</sup> IMMB - Back Male QC <sup>5</sup> NPF - No Power Feed <sup>4</sup>

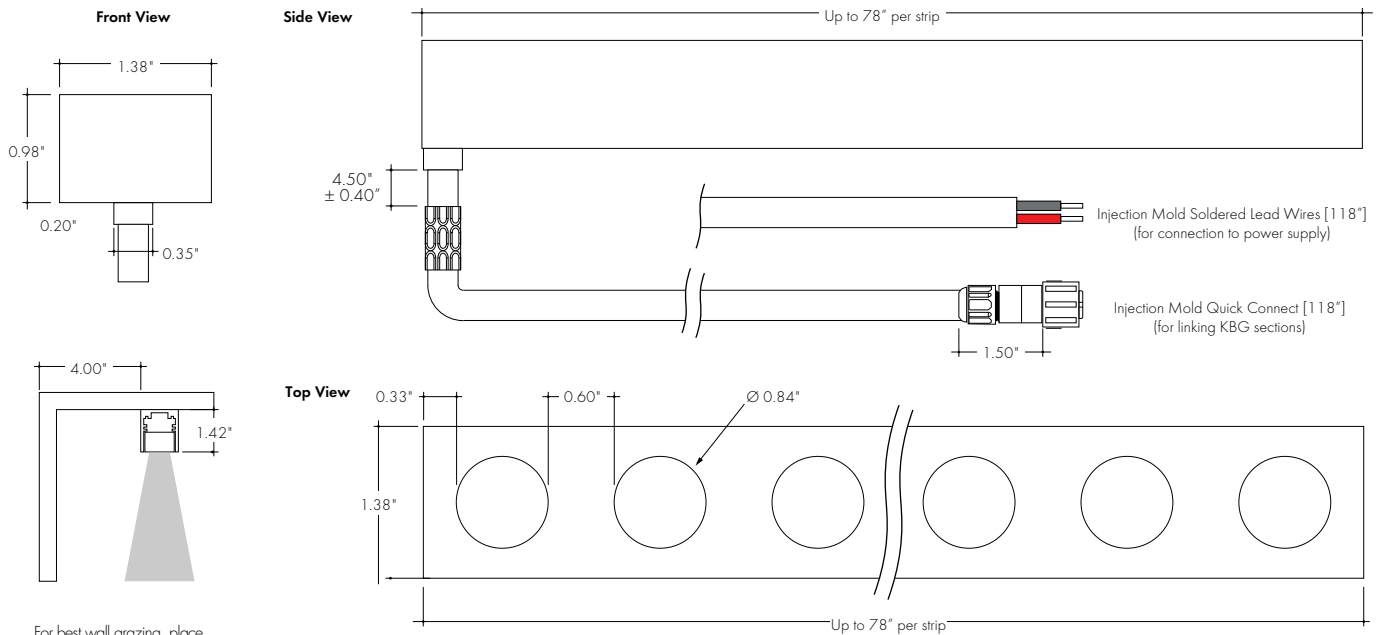
Feeds come with 118" wire leads

1 - Title 24 JA8 compliance achievable, contact factory for specific requests  
2 - Injection Mold Soldered Wire Feeds (IMB) come with 90° wire leads

3 - Order IMB (Injection Mold Soldered lead Wires) when connecting KBG to power supply.  
4 - NPF-NPF for Feed Position 1&2 is not a valid configuration option

5 - Order IMFB (Female Q/C) and IMMB (Male Q/C) when joining multiple KBG fixtures together.

**Product Dimensions**



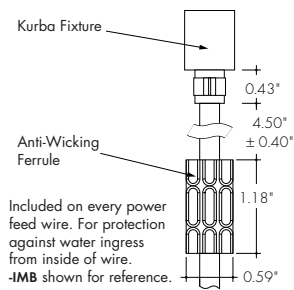
For best wall grazing, place fixture about 4" from wall.

**Note:** Each 78" Kurba Grazer 3D™ section is 48W. Two 78" Kurba Grazer 3D™ strips may be joined together in series up to 156" for a continuous run.

**Linking and Extension Cable Options**

**ANTI-WICKING FERRULE**

Included on every power feed wire

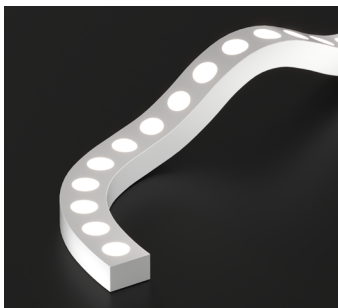


**Finish Options**

- A wide variety of finish options allowing complete customization of style and aesthetic.

**Basic Option**

**White**



Kurba's base finish is a crisp white which brings a timeless, clean aesthetic that brightens and enhances any space

**Premium Option**

**Black**

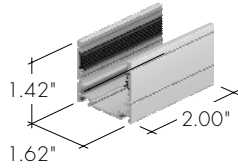


Black is a dark, pitch-black with a soft flat finish. This finish brings a bold, modern look, adding a touch of cosmic elegance to any space.

**Mounting Accessories and Optional Connectors**

**MC-KBG-SAP-SM-2-SA**

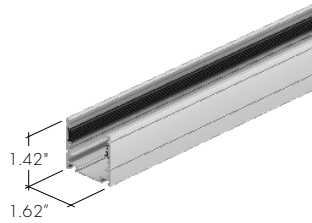
KBG Mounting Channel, Serrated Aluminum Profile, Surface Mount, 2in x 1.4in tall. Silver Anodized



Aluminum mounting channel providing grip. For use with light strip mounted to the ceiling.

**MC-KBG-SAP-SM-78-SA**

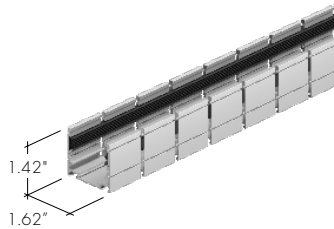
KBG Mounting Channel, Serrated Aluminum Profile, Surface Mount, 78in x 1.4in tall, Silver Anodized



Aluminum mounting channel providing grip. For use with light strip mounted to the ceiling.

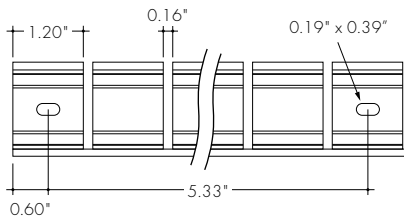
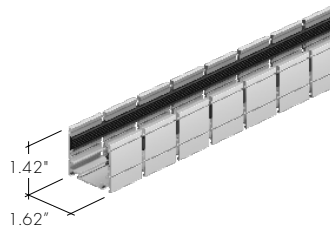
**MC-KBG-BSAP-HB-SM-38-SA**

KBG Mounting Channel, Bendable Serrated Aluminum Profile, Horizontal Bending, Surface Mount, 38in, Silver Anodized

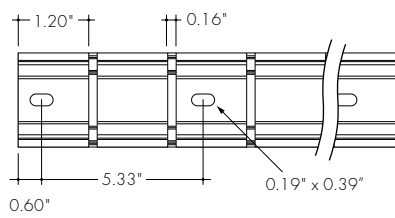


**MC-KBG-BSAP-VB-SM-38-SA**

KBG Mounting Channel, Bendable Serrated Aluminum Profile, Vertical Bending, Surface Mount, 38in, Silver Anodized



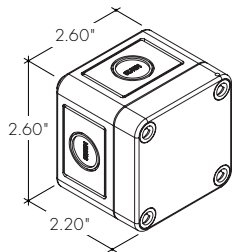
Aluminum mounting channel providing grip. For use with light strip mounted to the ceiling.  
**NOTE: HB - Horizontal Bending Only**



Aluminum mounting bracket providing grip. For use with light strip mounted to the ceiling.  
**NOTE: VB - Vertical Bending Only**

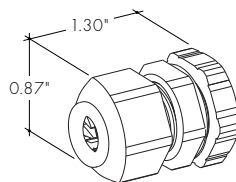
**LVSP-WET**

Splice box: wet rated, low voltage, gray



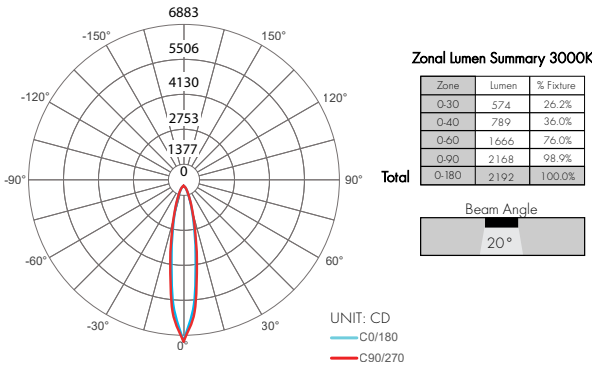
**LVSP-WET-CM**

Connector for splice box, low voltage for cable management, gray

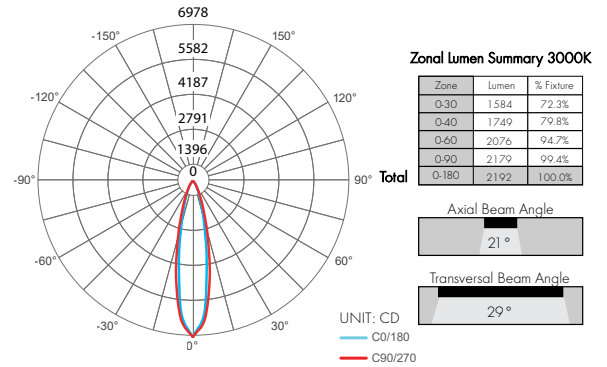


Photometry

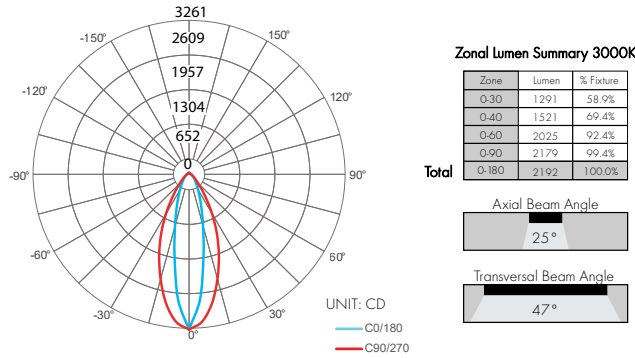
**KBG-W-3D-48-9SO-30K-20X20-NA-WH**  
Kurba Grazer 3D, 4ft, 3000K, 20° Grazer Lens



**KBG-W-3D-48-9SO-30K-20X30-NA-WH**  
Kurba Grazer 3D, 4ft, 3000K, 20°X30° Elliptical Lens



**KBG-W-3D-48-9SO-30K-20X50-NA-WH**  
Kurba Grazer 3D, 4ft, 3000K, 20°X50° Elliptical Lens



**9SO | Power Consumption Per Fixture Length**

Based on operation with PDCU series of power supplies. Use Acutal Length for Order Code Entry  
 Tolerance for Actual Lengths less than 6 ft is +/- 0.2", Actual Lengths between 6 ft and 16 ft is +/- 0.3", and Actual Lengths greater than 16 ft is +/- 0.6"

Nominal Length (in)	W	Actual Length (in)
10	6.1	<b>10.0</b>
20	12.1	<b>19.8</b>
30	18.1	<b>29.7</b>
40	24.1	<b>39.5</b>
50	30.1	<b>49.4</b>
60	36.1	<b>59.2</b>
69	42.1	<b>69.1</b>
78	48.1	<b>78.9</b>

## Power Supplies

See Power Supply instructions and spec sheet for wiring information. For a complete list of compatible dimmers, see Compatible Dimming Chart on the Resources page.

### For use with Static White

#### Ordering Code Universal Dimming Power Supplies 1% 120VAC - 277VAC

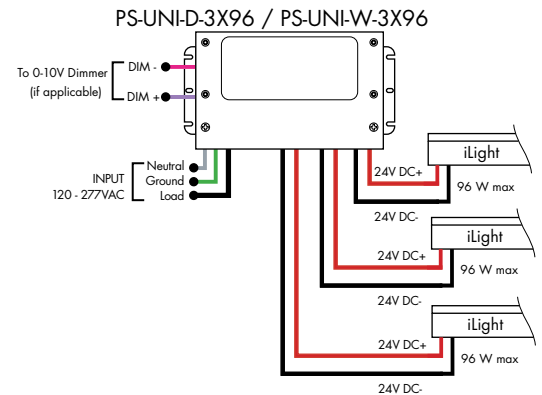
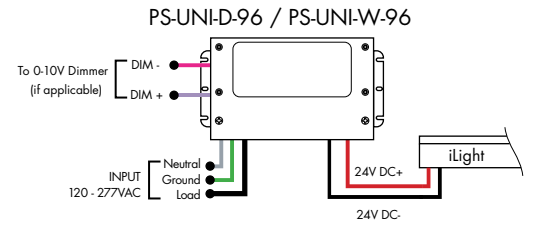
MODEL	INPUT CONTROL	ENVIRONMENT	WATTAGE	OUTPUT
PS-Power Supply, 120-277VAC	UNI-0-10V Dimming, Phase Dimming	D-Dry W-Wet	30-30 Watts 60-60 Watts 96-96 Watts 3x96-3x96 Watts	24-24 VDC

Compatibility: View a complete list of compatible dimmers on product page [\(Link\)](#)

0-10V - 1% dimming  
MLV/ELV/TRIAC - 1% dimming, consult dimming compatibility chart

MODELS	PS-UNI-W-30W	PS-UNI-W-60W	PS-UNI-W-96W	PS-UNI-W-3X96W
<b>Length</b>	6.50"	7.40"	8.66"	11.85"
<b>Width</b>	3.73"	3.73"	3.73"	4.32"
<b>Depth</b>	1.61"	1.61"	1.61"	1.81"

MODELS	PS-UNI-D-30W	PS-UNI-D-60W	PS-UNI-D-96W	PS-UNI-D-3X96W
<b>Length</b>	8.77"	8.77"	8.11"	9.94"
<b>Width</b>	4.27"	4.27"	5.60"	7.61"
<b>Depth</b>	1.83"	1.83"	1.83"	2.02"

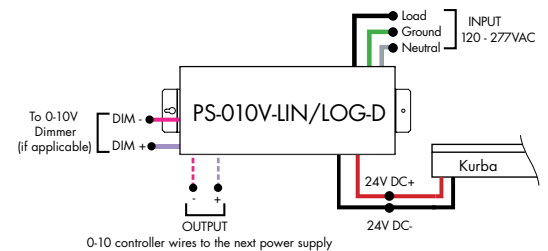
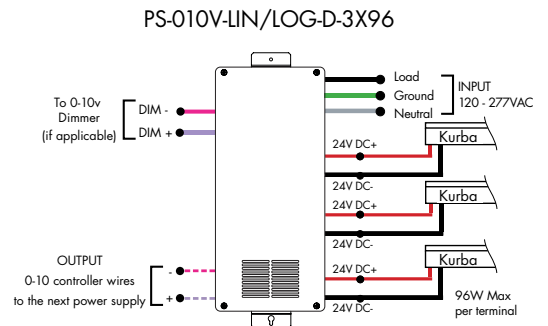


### For use with Static White

#### 0-10V Dimming Power Supplies 0.1% 120VAC - 277VAC

MODEL	POWER	OUTPUT	INPUT CONTROL	ENVIRONMENT
PS-Power Supply, 120-277VAC	96-96 Watts 3x96-3x96 Watts	24-24 VDC	010V-LIN-0-10V Dimming (0.1%), Linear 010V-LOG-0-10V Dimming (0.1%), Logarithmic	D-Dry

MODELS	96W	3X96
<b>Length</b>	14.40"	15.00"
<b>Width</b>	5.20"	6.62"
<b>Depth</b>	2.60"	4.45"



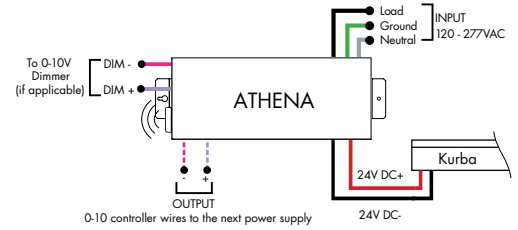
## Power Supplies

See Power Supply instructions and spec sheet for wiring information. For a complete list of compatible dimmers, see Compatible Dimming Chart on the Resources page.

### For use with Static White

#### Athena 0-10V LED Driver

MODEL	INPUT CONTROL	ENVIRONMENT	WATTAGE	OUTPUT	FEATURE
PS-Power Supply, 120-277VAC	010V-LIN-0-10V Dimming (0.1%), Linear 010V-LOG-0-10V Dimming (0.1%), Logarithmic	D-Dry	96-96 Watts	24-24 VDC	AWNDR-Athena

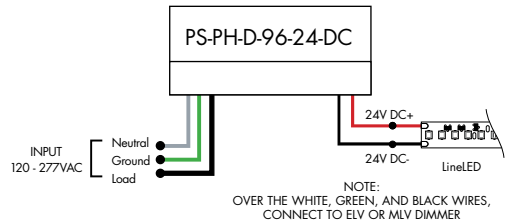


MODELS	96W
Length	14.40"
Width	5.20"
Depth	2.60"

### For use with Static White

#### Ordering Code Phase Dimming Power Supply 1% 120VAC - 277VAC

MODEL	INPUT CONTROL	ENVIRONMENT	WATTAGE	OUTPUT	OUTPUT CONTROL
PS-Power Supply, 120-277VAC	PH-Phase Dimming (Triac, ELV, MLV)	D-Dry	96-96 Watts	24-24 VDC	DC-Direct Current



MLV/ELV/TRIAC - 1% dimming, consult dimming compatibility chart ([link](#))

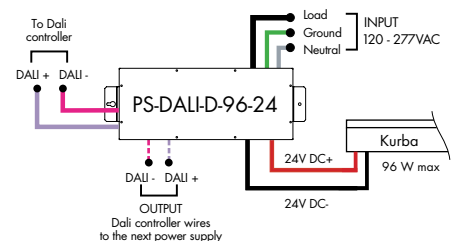
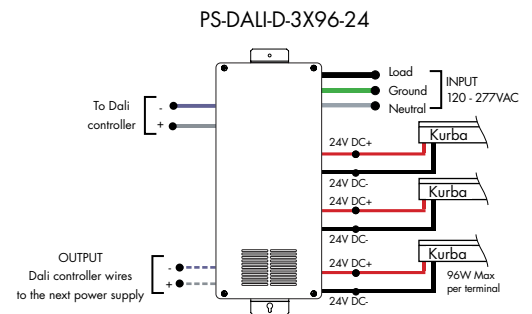
MODELS	96W
Length	8.25"
Width	4.10"
Depth	1.56"

### For use with Static White

#### DALI Dimming Power Supplies 0.1% 120VAC - 277VAC

MODEL	INPUT CONTROL	ENVIRONMENT	WATTAGE	OUTPUT
PS-Power Supply, 120-277VAC	DALI-DALI (0.1%)	D-Dry	96-96 Watts 3x96-3x96 Watts	24-24 VDC

Model	96W	3X96
Length	14.40"	15.00"
Width	5.20"	6.62"
Depth	2.60"	4.56"



## Power Supplies

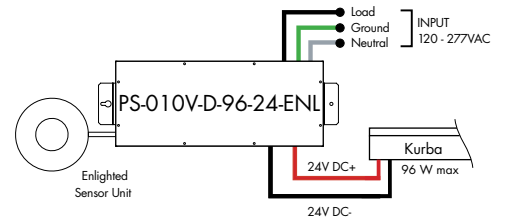
See Power Supply instructions and spec sheet for wiring information. For a complete list of compatible dimmers, see Compatible Dimming Chart on the Resources page.

### For use with Static White

#### Athena 0-10V LED Driver

MODEL	INPUT CONTROL	ENVIRONMENT	WATTAGE	OUTPUT	FEATURE
PS-Power Supply, 120-277VAC	010V-0-10V Dimming (1%)	D-Dry	96-96 Watts	24-24 VDC	ENL-0-10V Enlightened

<b>Model</b>	<b>96W</b>
<b>Length</b>	14.40"
<b>Width</b>	5.20"
<b>Depth</b>	2.60"



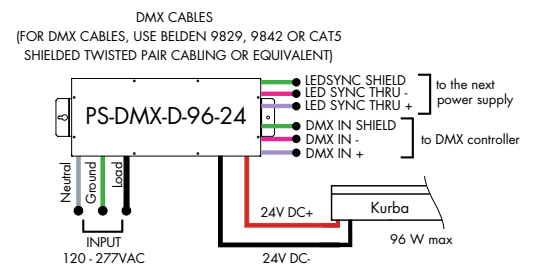
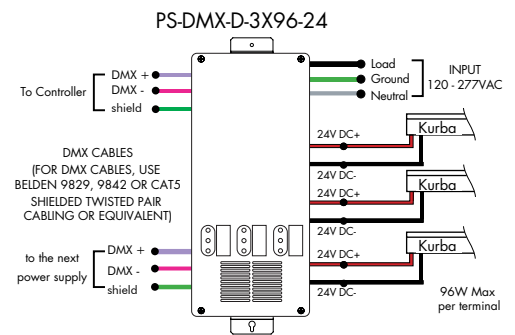
### For use with Static White

Requires Zonal Control

#### DMX Dimming Power Supplies 0.1% 120VAC - 277VAC

MODEL	INPUT CONTROL	ENVIRONMENT	WATTAGE	OUTPUT
PS-Power Supply, 120-277VAC	DMX-DMX (0.1%)	D-Dry	96-96 Watts 3x96-3x96 Watts	24-24 VDC

MODELS	96W	3X96
<b>Length</b>	14.40"	15.00"
<b>Width</b>	5.20"	6.62"
<b>Depth</b>	2.60"	4.56"

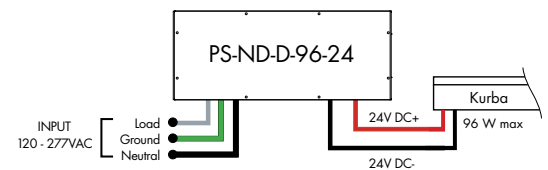


### For use with Static White

#### DMX Dimming Power Supplies 0.1% 120VAC - 277VAC

MODEL	INPUT CONTROL	ENVIRONMENT	WATTAGE	OUTPUT
PS-Power Supply, 120-277VAC	ND-Non Dimming	D-Dry	96-96 Watts	24-24 VDC

<b>MODELS</b>	<b>96W</b>
<b>Length</b>	14.40"
<b>Width</b>	5.20"
<b>Depth</b>	2.60"



## Power Supplies

See Power Supply instructions and spec sheet for wiring information. For a complete list of compatible dimmers, see Compatible Dimming Chart on the Resources page.

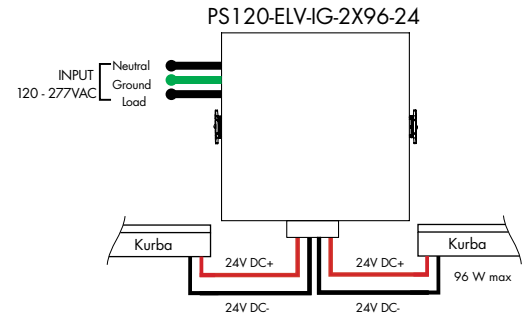
### For use with Static White

#### In-Ground Power Supplies

MODEL	INPUT CONTROL	ENVIRONMENT	WATTAGE	OUTPUT
PS120-Power Supply, 120VAC PS240-Power Supply, 240VAC PS277-Power Supply, 277VAC	ELV-ELV Dimming (1%)	IG-In Ground	2X96-2X96 Watts	24-24 VDC

#### MODELS 2X96W

<b>Length</b>	8.40"
<b>Width</b>	8.30"
<b>Depth</b>	8.10"



Luminii is a Lutron OEM Advantage Partner

#### Lutron Power Supplies 1%

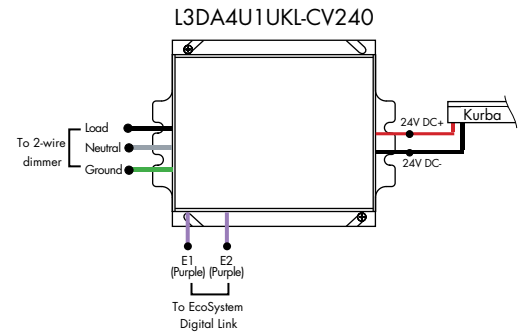
MODEL

**L3DA4U1UKL-CV240**

HiLume™ 1% EcoSystem Voltage LED driver  
40W max

#### MODELS L3DA4U1UKL-CV240

<b>Length</b>	4.98"
<b>Width</b>	4.00"
<b>Depth</b>	2.62"



Luminii is a Lutron OEM Advantage Partner

#### Lutron Power Supplies 0.1%

MODEL

**L3D0-96W24V-U**

HiLume™ 0.1% EcoSystem Voltage LED Driver with Soft-On, Fade-to-Black™  
96W max

#### MODELS L3D0

<b>Length</b>	10.50"
<b>Width</b>	5.50"
<b>Depth</b>	2.00"

