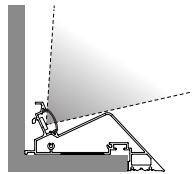
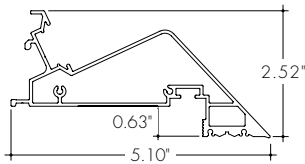




**Features**

- The Luminii Knife Edge system produces an elegant, seamless sharp-edged architectural feature with uniform lighting on adjacent surfaces.
- Accepts 5/8" thick drywall on its underside. architectural reveals, accent lighting and surface mount applications
- Create a soft diffused illumination, color tuning or an asymmetrical forward distribution by selecting the desired beam control offering.
- Integrated asymmetric light engine or soft perimeter glow
- Factory cut to length
- Factory built precision Inside and Outside Corners
- Painted Eggshell RAL 9010 with primer to accept field painting
- Average Life (L70): 50,000hrs
- 7 year warranty



**Technical Information**

TYPE	High Color Quality			High Efficacy				High Efficacy
	72SO	72HO	72VHO	HE48LO	HE48SO	HE48MO	HE48HO	HE64VHO
<b>OUTPUT OPTIONS</b>								
<b>Lumens Output (3000K)</b> (with Clear Lens)	150 lm/ft	243 lm/ft	296 lm/ft	146 lm/ft	202 lm/ft	270 lm/ft	433 lm/ft	548 lm/ft
<b>Average Power Consumption</b> (for a 4" section)	2.8 W/ft	4.8 W/ft	6 W/ft	1.9 W/ft	2.8 W/ft	3.5 W/ft	6.5 W/ft	7.5 W/ft
<b>Efficacy</b>	54 lm/W	51 lm/W	49 lm/W	77 lm/W	72 lm/W	77 lm/W	67 lm/W	73 lm/W
<b>Max Run Length</b> (in series)	40 ft	31 ft	22 ft	48 ft	42 ft	33 ft	21 ft	15 ft
<b>Ambient Operating Temperature Range*</b>	-5°F - 125°F (-20°C - 50°C)			-5°F - 125°F (-20°C - 50°C)				-5°F - 125°F (-20°C - 50°C)

\* Ambient Operating Temperature Range to maintain L70 of 50k+ hours in normal mounting conditions for the fixture. Exceeding Ambient Operating Temperature Range may result in decreased life/output. Consult Technical Support for specific inquiries.

**High Color Quality (72)**

CCT	Multiplier (reference - 3000K)	TM-30			
		CRI	R <sub>f</sub>	R <sub>g</sub>	R <sub>9</sub>
1900K	0.55	96	94	97	90
2200K	0.70	96	95	101	89
2400K	0.72	98	97	101	91
2700K	0.74	97	96	101	91
3000K	1.00	97	95	104	97
3500K	1.02	97	94	105	97
4100K	1.07	97	90	99	97

**High Efficacy (HE48/HE64)**

CCT	Multiplier (reference - 3000K)	TM-30			
		CRI	R <sub>f</sub>	R <sub>g</sub>	R <sub>9</sub>
2200K	0.73	92	91	97	42
2500K	0.81	93	96	96	62
2700K	0.94	92	90	99	58
3000K	1.00	92	89	99	57
3500K	1.02	92	89	99	60
4000K	1.02	92	86	94	71

**Ordering Code**

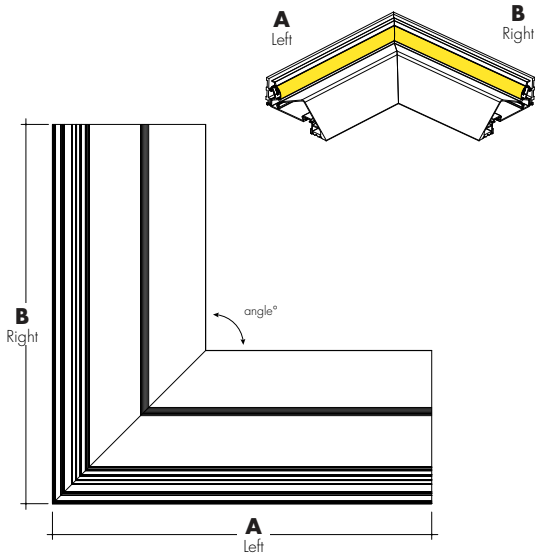
MODEL	LENGTH <sup>1</sup>	OUTPUT	CCT	LENS	LEFT END CAP	RIGHT END CAP	POWER FEED LEFT END <sup>3</sup>	POWER FEED RIGHT END <sup>3</sup>
KE - Knife Edge	12"-84" 1" increments	72SO - Standard 72HO - High 72VHO - Very High	19K - 1900K 22K - 2200K 24K - 2400K 27K - 2700K 30K - 3000K 35K - 3500K 41K - 4100K	F - Frosted Lens	LE - Endcap Left End LN - No Endcap Left End	RE - Endcap Right End RN - No Endcap Right End	LPB - Back Plenum Leads	RNPF - No Power Feed
	12"-84" 2" increments	HE48LO - Low HE48SO - Standard HE48MO - Medium HE48HO - High HE64VHO - Very High	22K - 2200K 25K - 2500K 27K - 2700K 30K - 3000K 35K - 3500K 40K - 4000K		LE - Endcap Left End LN - No Endcap Left End	RNJ - No Right Endcap, With Jumper Wires	LPB - Back Plenum Leads LNPF - No Power Feed	RNPF - No Power Feed
					LNJ - No Left Endcap, With Jumper Wires	RE - Endcap Right End RN - No Endcap Right End	LNPF - No Power Feed	RPB - Back Plenum Leads RNPF - No Power Feed
					LNJ - No Left Endcap, With Jumper Wires	RNJ - No Right Endcap, With Jumper Wires	LNPF - No Power Feed	RNPF - No Power Feed

1 - Custom lengths and increments are available, please consult Inside Sales with specific request.  
 2 - All High Efficacy options can be used to comply with Title 24 J88. High Color Quality options can be used to comply with Title 24 J88 depending on Output, CCT, and Lens selections. See multiplier charts to calculate specific efficacies.  
 3 - Plenum Rated Wire leads are 72" long.

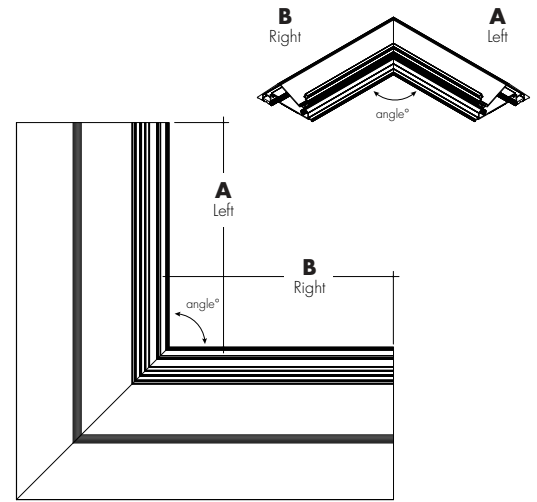
4 - NOTE: Cannot pair LNPF-RNPF without jumper connections - either LNJ or RNJ must be selected to allow for LNPF-RNPF to be chosen.  
 5 - NOTE: Cannot pair LPB-RPB together. Only one power feed per fixture/section on Knife Edge.  
 6 - NOTE: Cannot have a power feed on the same end as a jumper wire connection.

Knife Edge Corner Options

**KE-IC**  
Inner Corner



**KE-OC**  
Outside Corner



High Color Quality	Actual Length		Total Wattage		
	A	B	72SO	72HO	72VHO
Inner (KE-IC)	11 4/16	11 4/16	5.1	8.6	11.5
Outer (KE-OC)	12 12/16	12 12/16	5.1	8.6	11.5

High Efficacy	Actual Length		Total Wattage				Actual Length		Total Wattage	
	A	B	HE48LO	HE48SO	HE48MO	HE48HO	A	B	HE64SO	HE64HO
Inner (KE-IC)	12 12/16	12 12/16	3.4	4.9	6.4	13.2	13 2/16	13 2/16	14.5	18.3
Outer (KE-OC)	11 4/16	11 4/16	3.4	4.9	6.4	13.2	11 10/16	11 10/16	14.5	18.3

Ordering Code

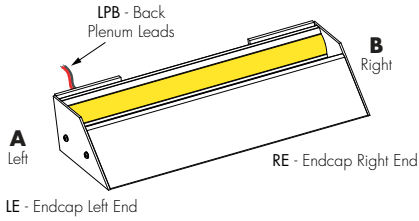
MODEL	LENGTH	ANGLE <sup>1</sup>	OUTPUT <sup>2</sup>	CCT	LENS	LEFT END CAP	RIGHT END CAP	POWER FEED LEFT END <sup>3</sup>	POWER FEED RIGHT END <sup>3</sup>
KE - Knife Edge	IC - Inner Corner OC - Outer Corner	90 - 90° Corner C - Custom Angle Corner	72SO - Standard 72HO - High 72VHO - Very High	19K - 1900K	F - Frosted Lens	LE - Endcap Left End LN - No Endcap Left End	RE - Endcap Right End RN - No Endcap Right End	LPB - Back Plenum Leads LNPF - No Power Feed	RNPF - No Power Feed
				22K - 2200K					
				24K - 2400K					
				27K - 2700K					
30K - 3000K	HE48LO - Low HE48SO - Standard HE48MO - Medium HE48HO - High HE64VHO - Very High	LNPF - No Power Feed RPF - Back Plenum Leads							
35K - 3500K									
41K - 4100K									
22K - 2200K			LNJ - No Left Endcap, With Jumper Wires	RNJ - No Right Endcap, With Jumper Wires	LPB - Back Plenum Leads LNPF - No Power Feed	RNPF - No Power Feed			
25K - 2500K									
27K - 2700K									
30K - 3000K									
35K - 3500K	LNJ - No Left Endcap, With Jumper Wires	RNJ - No Right Endcap, With Jumper Wires	LNPF - No Power Feed RPF - Back Plenum Leads RNPF - No Power Feed						
40K - 4000K									
35K - 3500K									
40K - 4000K									

1 - Custom Angle Corners are available, please consult Inside Sales with specific request.  
 2 - All High Efficacy options can be used to comply with Title 24 JA8. High Color Quality options can be used to comply with Title 24 JA8 depending on Output, CCT, and Lens selections. See multiplier charts to calculate specific efficacies.  
 3 - Plenum Rated Wire leads are 72" long.  
 4 - NOTE: Cannot pair LNPF-RNPF without jumper connections - either LNJ or RNJ must be selected to allow for LNPF-RNPF to be chosen.  
 5 - NOTE: Cannot pair LPB-RPB together. Only one power feed per fixture/section on Knife Edge.  
 6 - NOTE: Cannot have a power feed on the same end as a jumper wire connection.

**Powerfeed options for Continuous Run Straight Fixtures**

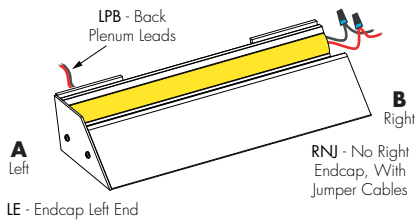
**KE-XX-LE-RE-XX-**

Single Fixture, both endcaps and power feed on one end



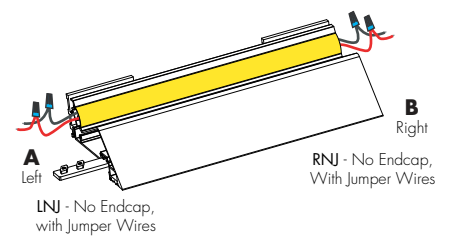
**KE-XX-LE-RN-XX- / KE-XX-LN-RE-XX-**

Start/End fixture, one end cap, power feed on one end, jumper cables on the other



**KE-XX-LN-RN-XX-**

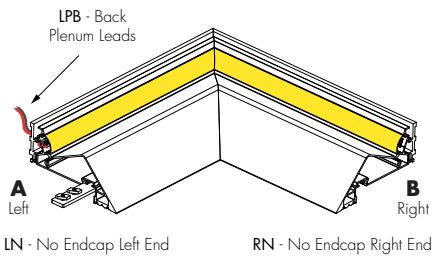
Middle fixture, no end caps, no power feed, jumper cables on both ends



**Powerfeed options for Corner Fixtures**

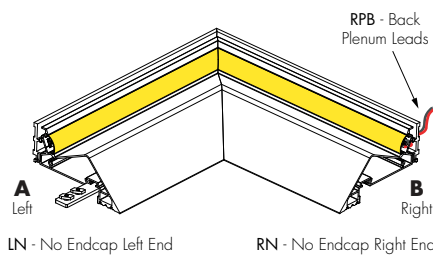
**KE-IC-90-XX-LN-RN-LPB-RNPF**

Inside Corner, left back power feed



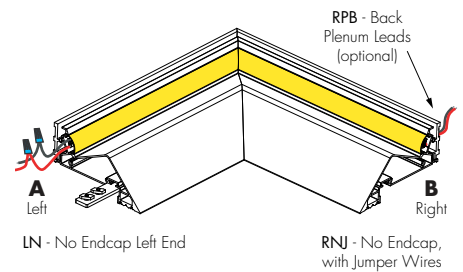
**KE-IC-90-XX-LN-RN-LNPF-RPB**

Inside Corner, right back power feed



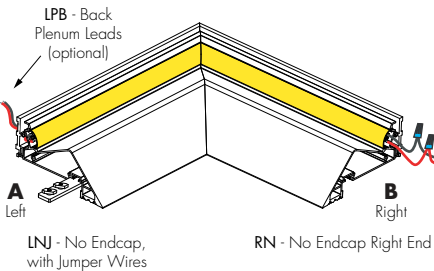
**KE-IC-90-XX-LNJ-RN-LNPF-RPB**

Inside Corner, jumper cables left, right back power feed



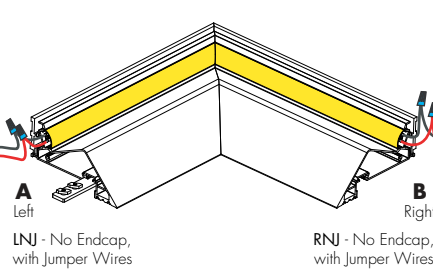
**KE-IC-90-XX-LN-RNJ-LPB-RNPF**

Inside Corner, left back power feed, jumper cables right



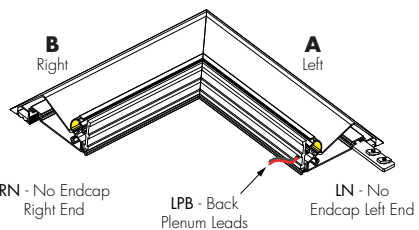
**KE-IC-90-XX-LNJ-RNJ-LNPF-RNPF**

Inside Corner, jumper cables left, jumper cables right



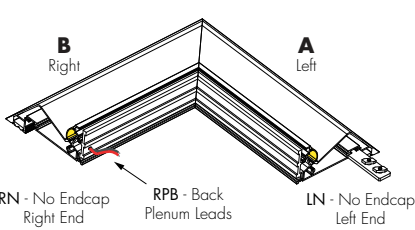
**KE-OC-90-XX-LN-RN-LPB-RNPF**

Outside Corner, left back power feed



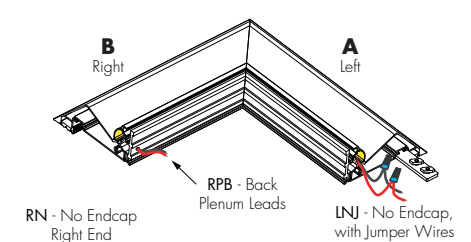
**KE-OC-90-XX-LN-RN-LNPF-RPB**

Outside Corner, right back power feed



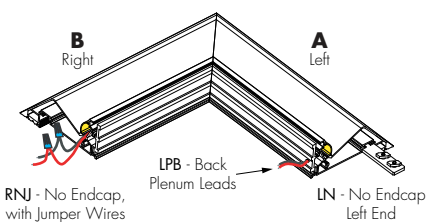
**KE-OC-90-XX-LNJ-RN-LNPF-RPB**

Outside Corner, jumper cables left, right back power feed



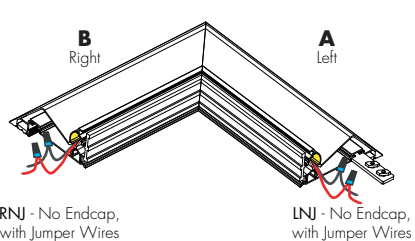
**KE-OC-90-XX-XX-LN-RNJ-LPB-RNPF**

Outside Corner, left back power feed, jumper cables right

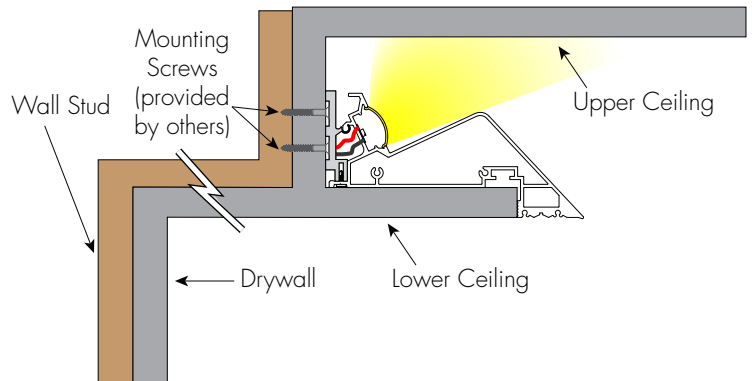
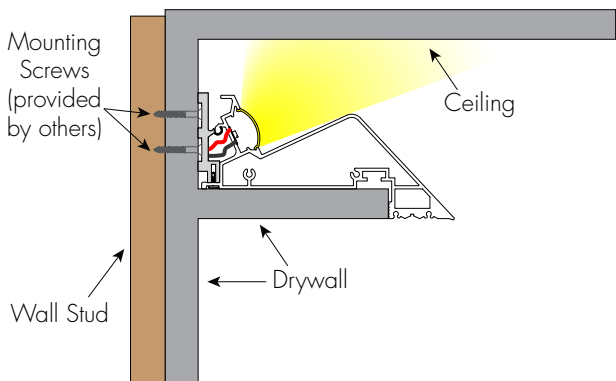
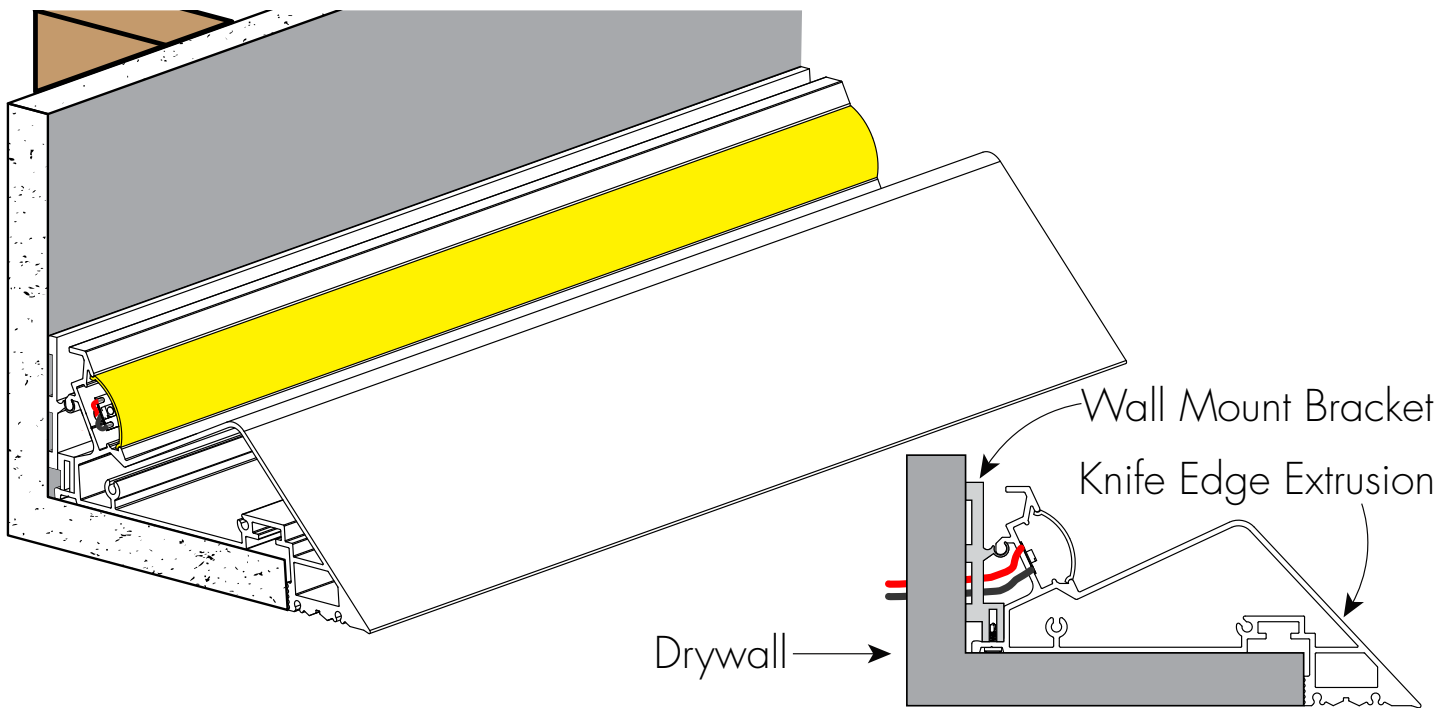
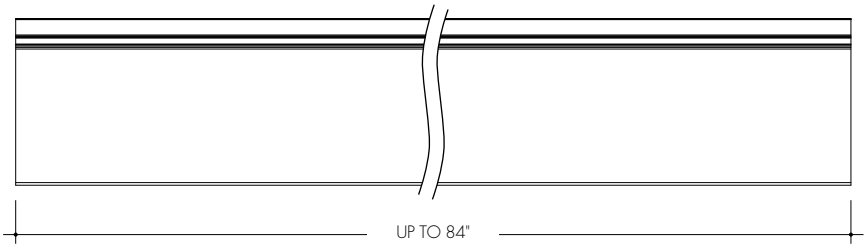
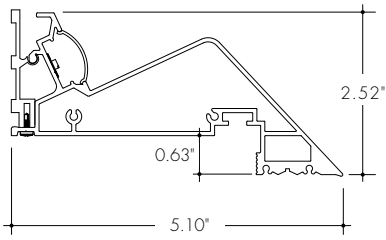


**KE-OC-90-XX-LNJ-RNJ-LNPF-RNPF**

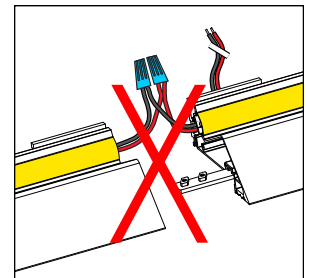
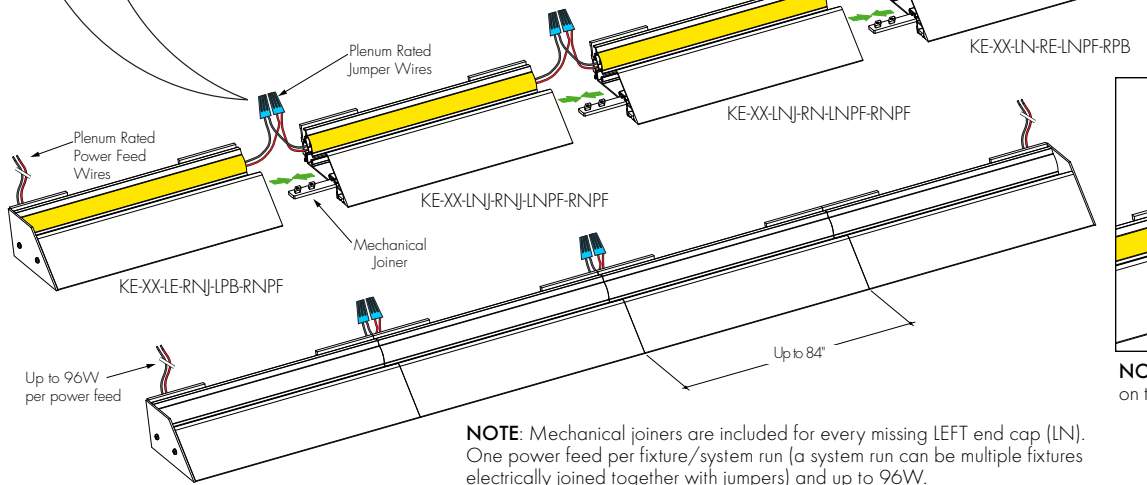
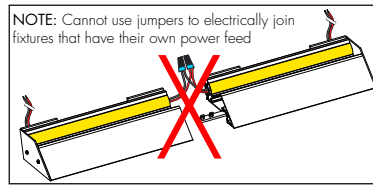
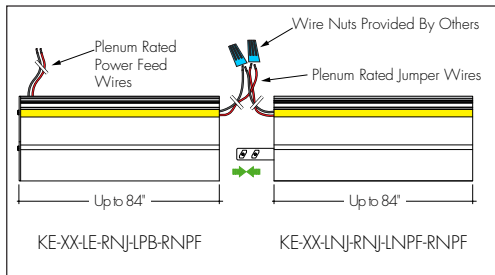
Outside Corner, jumper cables left, jumper cables right



Product Dimensions



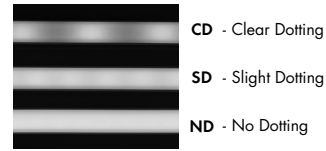
Sample Layout of Power Feed



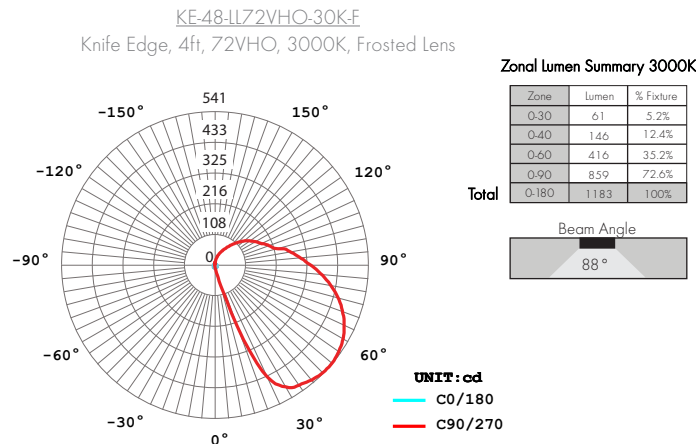
**NOTE:** Mechanical joiners are included for every missing LEFT end cap (LN). One power feed per fixture/system run (a system run can be multiple fixtures electrically joined together with jumpers) and up to 96W.

Light Transmission and Dotting

Output Options	Lens/Accessory			
	Frosted Lens			
Dimming Level	100%	50%	10%	1%
72SO	ND	ND	ND	ND
72HO	ND	ND	ND	ND
72VHO	ND	ND	ND	ND
HE48LO	ND	ND	ND	ND
HE48SO	ND	ND	ND	ND
HE48MO	ND	ND	ND	ND
HE48HO	ND	ND	ND	ND
HE64VHO	ND	ND	ND	ND
Transmission Percentage	100%			

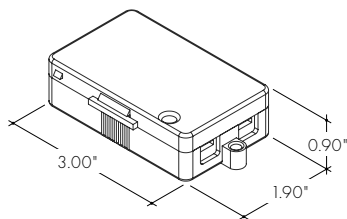


Photometry

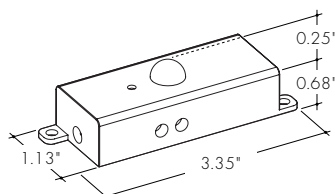


Accessory Options

**LVSP-4T-BK**  
Low Voltage, 4 Terminal Splice Box, Black

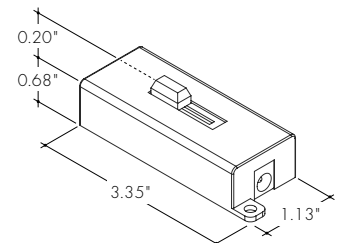


**OS-DC-F4-BK**  
Occupancy Sensor



Male Quick Connect, FMA, LMC, LYC, or IS-DC are required for input and output.

**DIM-DC-F4-BK**  
24VDC Low Voltage In-line Dimmer Module



Male Quick Connect, FMA, LMC, LYC, or IS-DC are required for input and output.

**Power Consumption**

Tested at Full Power with PS-UNI Series power supplies.

Standard Nominal Lengths offered provide minimal shadowing. For alternate lengths, please consult Inside Sales with specific request.

**High Color Quality (72)**

Nominal Length (in)	Actual Length	Watts			Nominal Length (in)	Actual Length	Watts			Nominal Length (in)	Actual Length	Watts		
		SO	HO	VHO			SO	HO	VHO			SO	HO	VHO
<b>12</b>	11 6/16	2.7	4.4	6.2	<b>47</b>	46 1/16	10.2	17.1	22.6	<b>82</b>	82	18.3	29.5	38.4
<b>13</b>	12 8/16	2.7	4.4	6.2	<b>48</b>	47 4/16	10.5	17.4	23.1	<b>83</b>	-	-	-	-
<b>14</b>	13 11/16	2.9	4.8	6.7	<b>49</b>	48 6/16	10.7	17.8	23.5	<b>84</b>	83 2/16	18.5	29.8	38.8
<b>15</b>	14 13/16	3.1	5.2	7.3	<b>50</b>	49 9/16	11.1	18.6	24.4					
<b>16</b>	16	3.4	5.6	7.8	<b>51</b>	50 11/16	11.4	18.9	24.9					
<b>17</b>	-	-	-	-	<b>52</b>	51 14/16	11.6	19.3	25.3					
<b>18</b>	17 2/16	3.6	6.0	8.3	<b>53</b>	-	-	-	-					
<b>19</b>	18 5/16	3.9	6.5	8.9	<b>54</b>	53 1/16	11.9	19.7	25.7					
<b>20</b>	19 7/16	4.4	7.3	9.9	<b>55</b>	54 3/16	12.1	20.1	26.1					
<b>21</b>	20 10/16	4.6	7.7	10.5	<b>56</b>	55 6/16	12.3	20.5	26.6					
<b>22</b>	21 12/16	4.8	8.1	11.0	<b>57</b>	56 8/16	12.8	21.3	27.4					
<b>23</b>	22 15/16	5.1	8.6	11.5	<b>58</b>	57 11/16	13.1	21.6	27.8					
<b>24</b>	-	-	-	-	<b>59</b>	58 13/16	13.3	22.0	28.3					
<b>25</b>	24 1/16	5.3	9.0	12.1	<b>60</b>	60	13.6	22.4	28.7					
<b>26</b>	25 4/16	5.6	9.4	12.6	<b>61</b>	-	-	-	-					
<b>27</b>	26 6/16	5.8	9.8	13.1	<b>62</b>	61 2/16	13.8	22.8	29.1					
<b>28</b>	27 9/16	6.2	10.5	14.1	<b>63</b>	62 5/16	14.0	23.1	29.6					
<b>29</b>	28 11/16	6.5	10.9	14.5	<b>64</b>	63 7/16	14.5	23.8	30.5					
<b>30</b>	29 14/16	6.7	11.2	15.0	<b>65</b>	64 10/16	14.7	24.1	31.0					
<b>31</b>	-	-	-	-	<b>66</b>	65 12/16	14.9	24.4	31.4					
<b>32</b>	31 1/16	6.9	11.6	15.5	<b>67</b>	66 15/16	15.1	24.7	31.9					
<b>33</b>	32 3/16	7.1	12.0	16.0	<b>68</b>	-	-	-	-					
<b>34</b>	33 6/16	7.3	12.3	16.5	<b>69</b>	68 1/16	15.3	25.0	32.4					
<b>35</b>	34 8/16	7.8	13.1	17.4	<b>70</b>	69 4/16	15.5	25.4	32.8					
<b>36</b>	35 11/16	8.0	13.4	17.9	<b>71</b>	70 6/16	15.8	25.7	33.3					
<b>37</b>	36 13/16	8.2	13.8	18.4	<b>72</b>	71 9/16	16.2	26.3	34.2					
<b>38</b>	38	8.4	14.2	18.9	<b>73</b>	72 11/16	16.4	26.6	34.7					
<b>39</b>	-	-	-	-	<b>74</b>	73 14/16	16.6	26.9	35.1					
<b>40</b>	39 2/16	8.7	14.5	19.3	<b>75</b>	-	-	-	-					
<b>41</b>	40 5/16	8.9	14.9	19.8	<b>76</b>	75 1/16	16.8	27.3	35.5					
<b>42</b>	41 7/16	9.3	15.6	20.7	<b>77</b>	76 3/16	17.1	27.6	35.9					
<b>43</b>	42 10/16	9.6	16.0	21.2	<b>78</b>	77 6/16	17.3	27.9	36.3					
<b>44</b>	43 12/16	9.8	16.4	21.7	<b>79</b>	78 8/16	17.7	28.5	37.2					
<b>45</b>	44 15/16	10.0	16.7	22.1	<b>80</b>	79 11/16	17.9	28.9	37.6					
<b>46</b>	-	-	-	-	<b>81</b>	80 13/16	18.1	29.2	38.0					

**Power Consumption**

Tested at Full Power with PS-UNI Series power supplies.

Standard Nominal Lengths offered provide minimal shadowing. For alternate lengths, please consult Inside Sales with specific request.

**High Efficacy (HE48)**

Nominal Length (in)	Actual Length	Watts				Nominal Length (in)	Actual Length	Watts				Nominal Length (in)	Actual Length	Watts			
		LO	SO	MO	HO			LO	SO	MO	HO			LO	SO	MO	HO
<b>12</b>	10 12/16	1.7	2.5	3.5	5.7	<b>47</b>	46 3/16	6.9	10.7	13.3	24.7	<b>82</b>	81 10/16	12.5	19.9	23.9	42.2
<b>13</b>	12 12/16	1.7	2.5	3.5	5.7	<b>48</b>	-	-	-	-	-	<b>83</b>	-	-	-	-	-
<b>14</b>	-	-	-	-	-	<b>49</b>	48 3/16	7.1	11.2	13.9	25.4	<b>84</b>	83 10/16	12.8	20.3	24.5	43.1
<b>15</b>	14 11/16	2.0	3.0	4.0	7.2	<b>50</b>	-	-	-	-	-						
<b>16</b>	-	-	-	-	-	<b>51</b>	50 2/16	7.4	11.7	14.5	26.3						
<b>17</b>	16 11/16	2.4	3.5	4.6	8.7	<b>52</b>	-	-	-	-	-						
<b>18</b>	-	-	-	-	-	<b>53</b>	52 2/16	7.7	12.3	15.1	27.4						
<b>19</b>	18 10/16	2.7	3.9	5.2	10.2	<b>54</b>	-	-	-	-	-						
<b>20</b>	-	-	-	-	-	<b>55</b>	54 1/16	8.0	12.9	15.7	28.5						
<b>21</b>	20 10/16	3.0	4.4	5.8	11.7	<b>56</b>	-	-	-	-	-						
<b>22</b>	-	-	-	-	-	<b>57</b>	56 1/16	8.4	13.5	16.4	29.5						
<b>23</b>	22 9/16	3.4	4.9	6.4	13.2	<b>58</b>	-	-	-	-	-						
<b>24</b>	-	-	-	-	-	<b>59</b>	58	8.7	14.0	17.0	30.6						
<b>25</b>	24 9/16	3.7	5.4	7.0	14.7	<b>60</b>	60	9.0	14.6	17.6	31.6						
<b>26</b>	-	-	-	-	-	<b>61</b>	-	-	-	-	-						
<b>27</b>	26 8/16	4.1	5.9	7.5	15.8	<b>62</b>	61 15/16	9.4	15.2	18.2	32.6						
<b>28</b>	-	-	-	-	-	<b>63</b>	-	-	-	-	-						
<b>29</b>	28 8/16	4.4	6.4	8.1	16.8	<b>64</b>	63 15/16	9.7	15.6	18.7	33.7						
<b>30</b>	-	-	-	-	-	<b>65</b>	-	-	-	-	-						
<b>31</b>	30 7/16	4.8	6.9	8.7	17.9	<b>66</b>	65 14/16	10.0	16.1	19.2	34.7						
<b>32</b>	-	-	-	-	-	<b>67</b>	-	-	-	-	-						
<b>33</b>	32 7/16	5.0	7.2	9.0	18.5	<b>68</b>	67 14/16	10.4	16.5	19.8	35.7						
<b>34</b>	-	-	-	-	-	<b>69</b>	-	-	-	-	-						
<b>35</b>	34 6/16	5.4	7.7	9.6	19.5	<b>70</b>	69 13/16	10.7	17.0	20.3	36.7						
<b>36</b>	-	-	-	-	-	<b>71</b>	-	-	-	-	-						
<b>37</b>	36 6/16	5.7	8.2	10.2	20.6	<b>72</b>	71 13/16	11.0	17.4	20.8	37.7						
<b>38</b>	-	-	-	-	-	<b>73</b>	-	-	-	-	-						
<b>39</b>	38 5/16	6.0	8.7	10.8	21.5	<b>74</b>	73 12/16	11.3	17.9	21.4	38.7						
<b>40</b>	-	-	-	-	-	<b>75</b>	-	-	-	-	-						
<b>41</b>	40 5/16	6.2	9.2	11.4	22.3	<b>76</b>	75 12/16	11.6	18.4	22.0	39.6						
<b>42</b>	-	-	-	-	-	<b>77</b>	-	-	-	-	-						
<b>43</b>	42 4/16	6.4	9.7	12.0	23.1	<b>78</b>	77 11/16	11.9	18.9	22.7	40.5						
<b>44</b>	-	-	-	-	-	<b>79</b>	-	-	-	-	-						
<b>45</b>	44 4/16	6.7	10.2	12.6	23.9	<b>80</b>	79 11/16	12.2	19.4	23.3	41.4						
<b>46</b>	-	-	-	-	-	<b>81</b>	-	-	-	-	-						



**Power Consumption**

Tested at Full Power with PS-UNI Series power supplies.

Standard Nominal Lengths offered provide minimal shadowing. For alternate lengths, please consult Inside Sales with specific request.

**High Efficacy (HE64)**

Nominal Length (in)	Actual Length	Watts	Nominal Length (in)	Actual Length	Watts	Nominal Length (in)	Actual Length	Watts
		VHO			VHO			VHO
<b>12</b>	11 8/16	7.6	<b>47</b>	46 6/16	28.2	<b>82</b>	81 3/16	50.4
<b>13</b>	–	–	<b>48</b>	47 14/16	29.5	<b>83</b>	82 11/16	51.7
<b>14</b>	13 1/16	7.6	<b>49</b>	–	–	<b>84</b>	–	–
<b>15</b>	14 9/16	8.9	<b>50</b>	49 6/16	30.1			
<b>16</b>	–	–	<b>51</b>	50 14/16	31.4			
<b>17</b>	16 1/16	9.5	<b>52</b>	–	–			
<b>18</b>	17 9/16	10.7	<b>53</b>	52 7/16	32.0			
<b>19</b>	–	–	<b>54</b>	53 15/16	33.3			
<b>20</b>	19 2/16	11.4	<b>55</b>	–	–			
<b>21</b>	20 10/16	12.6	<b>56</b>	55 7/16	34.0			
<b>22</b>	–	–	<b>57</b>	56 15/16	35.2			
<b>23</b>	22 2/16	13.2	<b>58</b>	–	–			
<b>24</b>	23 10/16	14.5	<b>59</b>	58 7/16	36.5			
<b>25</b>	–	–	<b>60</b>	60	37.2			
<b>26</b>	25 2/16	15.1	<b>61</b>	–	–			
<b>27</b>	26 11/16	16.4	<b>62</b>	61 8/16	38.4			
<b>28</b>	–	–	<b>63</b>	–	–			
<b>29</b>	28 3/16	17.0	<b>64</b>	63	39.1			
<b>30</b>	29 11/16	18.2	<b>65</b>	64 8/16	40.4			
<b>31</b>	–	–	<b>66</b>	–	–			
<b>32</b>	31 3/16	18.9	<b>67</b>	66 1/16	41.0			
<b>33</b>	32 12/16	20.1	<b>68</b>	67 9/16	42.3			
<b>34</b>	–	–	<b>69</b>	–	–			
<b>35</b>	34 4/16	20.7	<b>70</b>	69 1/16	42.9			
<b>36</b>	35 12/16	22.0	<b>71</b>	70 9/16	44.2			
<b>37</b>	–	–	<b>72</b>	–	–			
<b>38</b>	37 4/16	22.6	<b>73</b>	72 2/16	44.9			
<b>39</b>	38 12/16	23.9	<b>74</b>	73 10/16	46.1			
<b>40</b>	–	–	<b>75</b>	–	–			
<b>41</b>	40 5/16	24.5	<b>76</b>	75 2/16	46.7			
<b>42</b>	41 13/16	25.7	<b>77</b>	76 10/16	48.0			
<b>43</b>	–	–	<b>78</b>	–	–			
<b>44</b>	43 5/16	26.4	<b>79</b>	78 2/16	48.6			
<b>45</b>	44 13/16	27.6	<b>80</b>	79 11/16	49.8			
<b>46</b>	–	–	<b>81</b>	–	–			

**Voltage Drop Calculator**

The below chart assumes nominal voltage of 24 Volts and a Voltage Drop Allowance of 3% through the wire

Wattage [W]	Maximum Wire Length From Power Supply to Start of Run [ft]						
	12 AWG	14 AWG	16 AWG	18 AWG	20 AWG	22 AWG	24 AWG
<b>5</b>	1088.2	684.4	430.3	270.6	170.2	107.1	67.3
<b>10</b>	544.1	342.2	215.1	135.3	85.1	53.5	33.7
<b>15</b>	362.7	228.1	143.4	90.2	56.7	35.7	22.4
<b>20</b>	272.0	171.1	107.6	67.7	42.6	26.8	16.8
<b>25</b>	217.6	136.9	86.1	54.1	34.0	21.4	13.5
<b>30</b>	181.4	114.1	71.7	45.1	28.4	17.8	11.2
<b>35</b>	155.5	97.8	61.5	38.7	24.3	15.3	9.6
<b>40</b>	136.0	85.5	53.8	33.8	21.3	13.4	8.4
<b>45</b>	120.9	76.0	47.8	30.1	18.9	11.9	7.5
<b>50</b>	108.8	68.4	43.0	27.1	17.0	10.7	6.7
<b>55</b>	98.9	62.2	39.1	24.6	15.5	9.7	6.1
<b>60</b>	90.7	57.0	35.9	22.6	14.2	8.9	5.6
<b>65</b>	83.7	52.6	33.1	20.8	13.1	8.2	5.2
<b>70</b>	77.7	48.9	30.7	19.3	12.2	7.6	4.8
<b>75</b>	72.5	45.6	28.7	18.0	11.3	7.1	4.5
<b>80</b>	68.0	42.8	26.9	16.9	10.6	6.7	4.2
<b>85</b>	64.0	40.3	25.3	15.9	10.0	6.3	4.0
<b>90</b>	60.5	38.0	23.9	15.0	9.5	5.9	3.7
<b>96</b>	56.7	35.6	22.4	14.1	8.9	5.6	3.5

**Power Supplies**

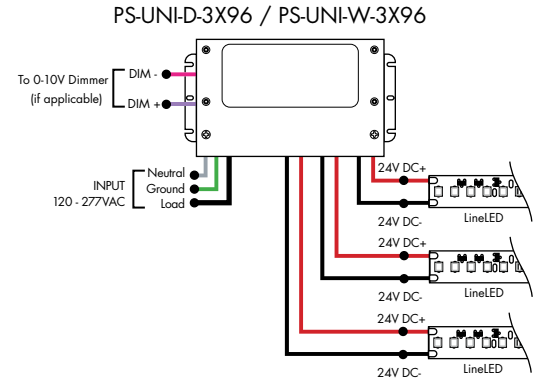
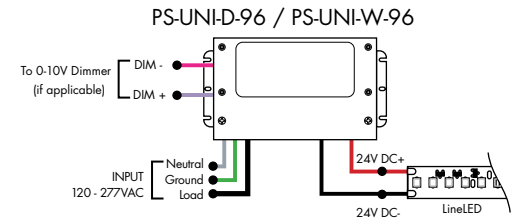
See Power Supply instructions and spec sheet for wiring information. For a complete list of compatible dimmers, see Compatible Dimming Chart on the Resources page.

**Ordering Code Universal Dimming Power Supplies 1% 120VAC - 277VAC**

MODEL	INPUT CONTROL	ENVIRONMENT	WATTAGE	OUTPUT
PS-Power Supply, 120-277VAC	UNI-0-10V Dimming, Phase Dimming	D-Dry W-Wet	30-30 Watts 60-60 Watts 96-96 Watts 3x96-3x96 Watts	24-24 VDC

Compatibility: View a complete list of compatible dimmers on product page [\(Link\)](#)

0-10V - 1% dimming  
MLV/ELV/TRIAC - 1% dimming, consult dimming compatibility chart



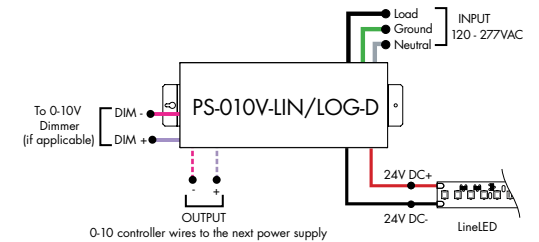
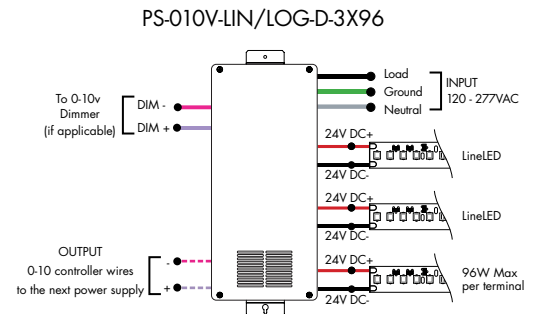
MODELS	PS-UNI-W-30W	PS-UNI-W-60W	PS-UNI-W-96W	PS-UNI-W-3X96W
<b>Length</b>	6.50"	7.40"	8.66"	11.85"
<b>Width</b>	3.73"	3.73"	3.73"	4.32"
<b>Depth</b>	1.61"	1.61"	1.61"	1.81"

MODELS	PS-UNI-D-30W	PS-UNI-D-60W	PS-UNI-D-96W	PS-UNI-D-3X96W
<b>Length</b>	8.77"	8.77"	8.11"	9.94"
<b>Width</b>	4.27"	4.27"	5.60"	7.61"
<b>Depth</b>	1.83"	1.83"	1.83"	2.02"

**Ordering Code 0-10V Dimming Power Supplies 0.1% 120VAC - 277VAC**

MODEL	INPUT CONTROL	ENVIRONMENT	WATTAGE	OUTPUT
PS-Power Supply, 120-277VAC	010V-LIN-0-10V Dimming (0.1%), Linear 010V-LOG-0-10V Dimming (0.1%), Logarithmic	D-Dry	96-96 Watts 3X96-3x96 Watts	24-24 VDC

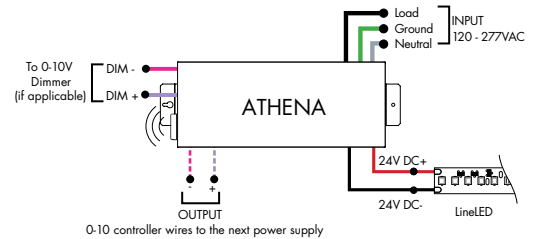
MODELS	96W	3X96
<b>Length</b>	14.40"	15.00"
<b>Width</b>	5.20"	6.62"
<b>Depth</b>	2.60"	4.45"



**Athena 0-10V LED Driver**

MODEL	INPUT CONTROL	ENVIRONMENT	WATTAGE	OUTPUT	FEATURE
PS-Power Supply, 120-277VAC	010V-LIN-0-10V Dimming, Linear 010V-LOG-0-10V Dimming, Logarithmic	D-Dry	96-96 W	24-24 VDC	AWNR-Athena

MODELS	96W
<b>Length</b>	14.40"
<b>Width</b>	5.20"
<b>Depth</b>	2.60"



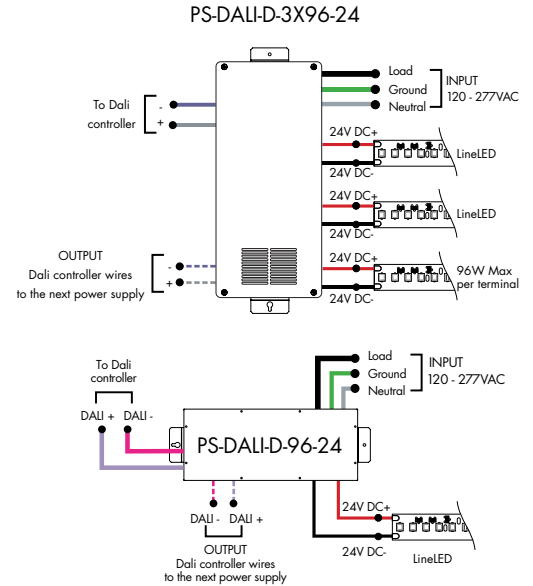
**Power Supplies**

See Power Supply instructions and spec sheet for wiring information. For a complete list of compatible dimmers, see Compatible Dimming Chart on the Resources page.

**Ordering Code DALI Dimming Power Supplies 0.1% 120VAC - 277VAC**

MODEL	INPUT CONTROL	ENVIRONMENT	WATTAGE	OUTPUT
PS-Power Supply, 120-277VAC	DALI-DALI (0.1%)	D-Dry	96-96 Watts 3X96-3X96 Watts	24-24 VDC

Model	96W	3X96
Length	14.40"	15.00"
Width	5.20"	6.62"
Depth	2.60"	4.56"

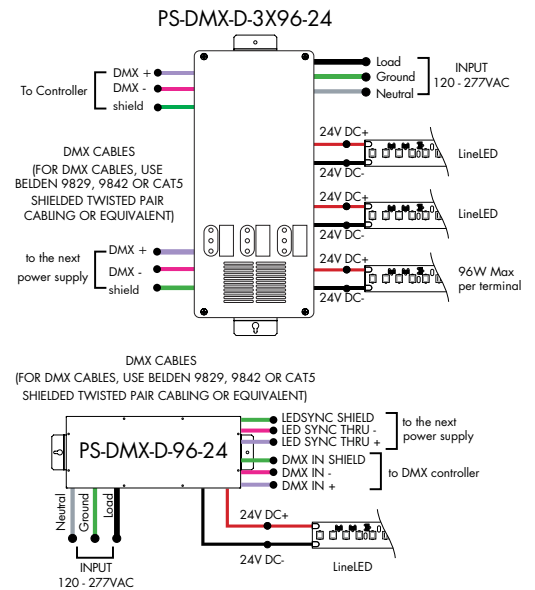


**Ordering Code DMX Dimming Power Supplies 0.1% 120VAC - 277VAC** Requires Zonal Control

MODEL	INPUT CONTROL	ENVIRONMENT	WATTAGE	OUTPUT
PS-Power Supply, 120-277VAC	DMX-DMX (0.1%)	D-Dry	96-96 Watts 3X96-3X96 Watts	24-24 VDC

\*Zonal control power supplies. Control multiple tapes/zones using DMX channels.

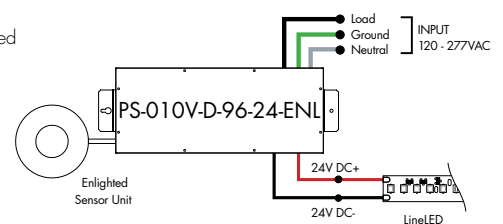
MODELS	96W	3X96
Length	14.40"	15.00"
Width	5.20"	6.62"
Depth	2.60"	4.56"



**Ordering Code Enlightened Enabled Dimming Power Supplies 1% 120VAC - 277VAC**

MODEL	INPUT CONTROL	ENVIRONMENT	WATTAGE	OUTPUT	FEATURE
PS-Power Supply, 120-277VAC	010V-0-10V Dimming (1%)	D-Dry	96-96 Watts	24-24 VDC	ENL-0-10V Enlightened

Model	96W
Length	14.40"
Width	5.20"
Depth	2.60"

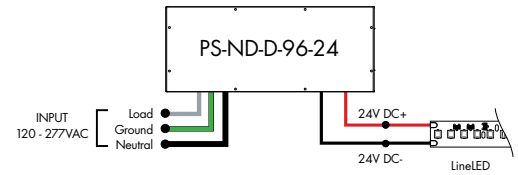


### Power Supplies

See Power Supply instructions and spec sheet for wiring information. For a complete list of compatible dimmers, see Compatible Dimming Chart on the Resources page.

#### Ordering Code Non-Dimming Power Supply 120VAC - 277VAC

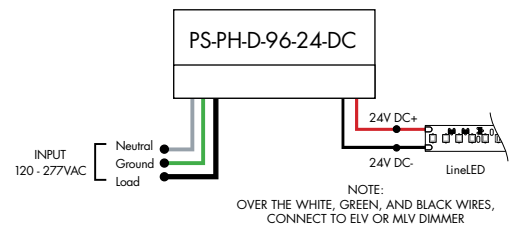
MODEL	INPUT CONTROL	ENVIRONMENT	WATTAGE	OUTPUT
PS-Power Supply, 120-277VAC	ND-Non Dimming	D-Dry	96-96 Watts	24-24 VDC



MODELS	96W
Length	14.40"
Width	5.20"
Depth	2.60"

#### Ordering Code Phase Dimming Power Supply 1% 120VAC - 277VAC

MODEL	INPUT CONTROL	ENVIRONMENT	WATTAGE	OUTPUT	OUTPUT CONTROL
PS-Power Supply, 120-277VAC	PH-Phase Dimming (Triac, ELV, MLV)	D-Dry	96-96 Watts	24-24 VDC	DC-Direct Current

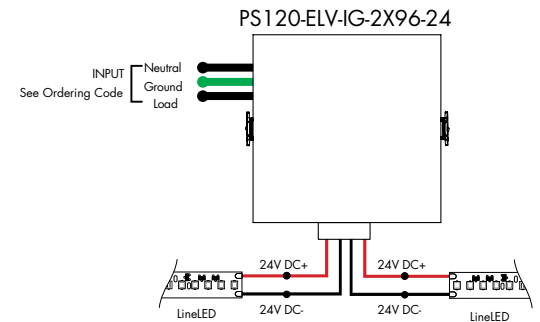


MLV/ELV/TRIAC - 1% dimming, consult dimming compatibility chart ([Link](#))

MODELS	96W
Length	8.25"
Width	4.10"
Depth	1.56"

#### Ordering Code In-Ground Power Supplies

MODEL	INPUT CONTROL	ENVIRONMENT	WATTAGE	OUTPUT
PS120-Power Supply, 120VAC PS240-Power Supply, 240VAC PS277-Power Supply, 277VAC	ELV-ELV Dimming (1%)	IG-In Ground	2X96-2X96 Watts	24-24 VDC



MODELS	2X96W
Length	8.40"
Width	8.30"
Depth	8.10"

**Power Supplies**

See Power Supply instructions and spec sheet for wiring information. For a complete list of compatible dimmers, see Compatible Dimming Chart on the Resources page.



Luminii is a Lutron OEM Advantage Partner

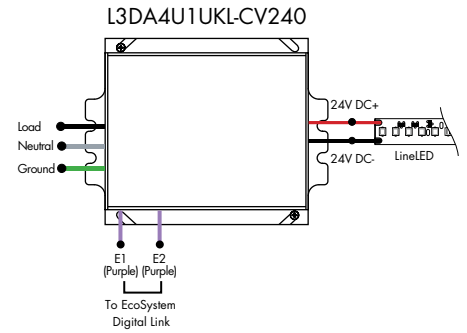
**Lutron Power Supplies 1%**

MODEL

**L3DA4U1UKL-CV240**

HiLume™ 1% EcoSystem Voltage LED driver  
40W max

MODELS	L3DA4U1UKL-CV240
<b>Length</b>	4.98"
<b>Width</b>	4.00"
<b>Depth</b>	2.62"



Luminii is a Lutron OEM Advantage Partner

**Lutron Power Supplies 0.1%**

MODEL

**L3D0-96W24V-U**

HiLume™ 0.1% EcoSystem Voltage LED Driver with Soft-On, Fade-to-Black™  
96W max

MODELS	L3D0
<b>Length</b>	10.50"
<b>Width</b>	5.50"
<b>Depth</b>	2.00"

