

# Knife Edge - Installation Instructions

Models KE-XX

**Please read all instructions prior to installation and keep for future reference!**

1. PRODUCT TO BE INSTALLED BY A QUALIFIED ELECTRICIAN.
2. USE ONLY WITH CLASS 2 POWER UNIT.
3. 24 VOLTS DC.
4. SURFACE MOUNT ONLY
5. INHERENTLY PROTECTED
6. FIXTURE SHOULD BE INSTALLED BY TWO PEOPLE.

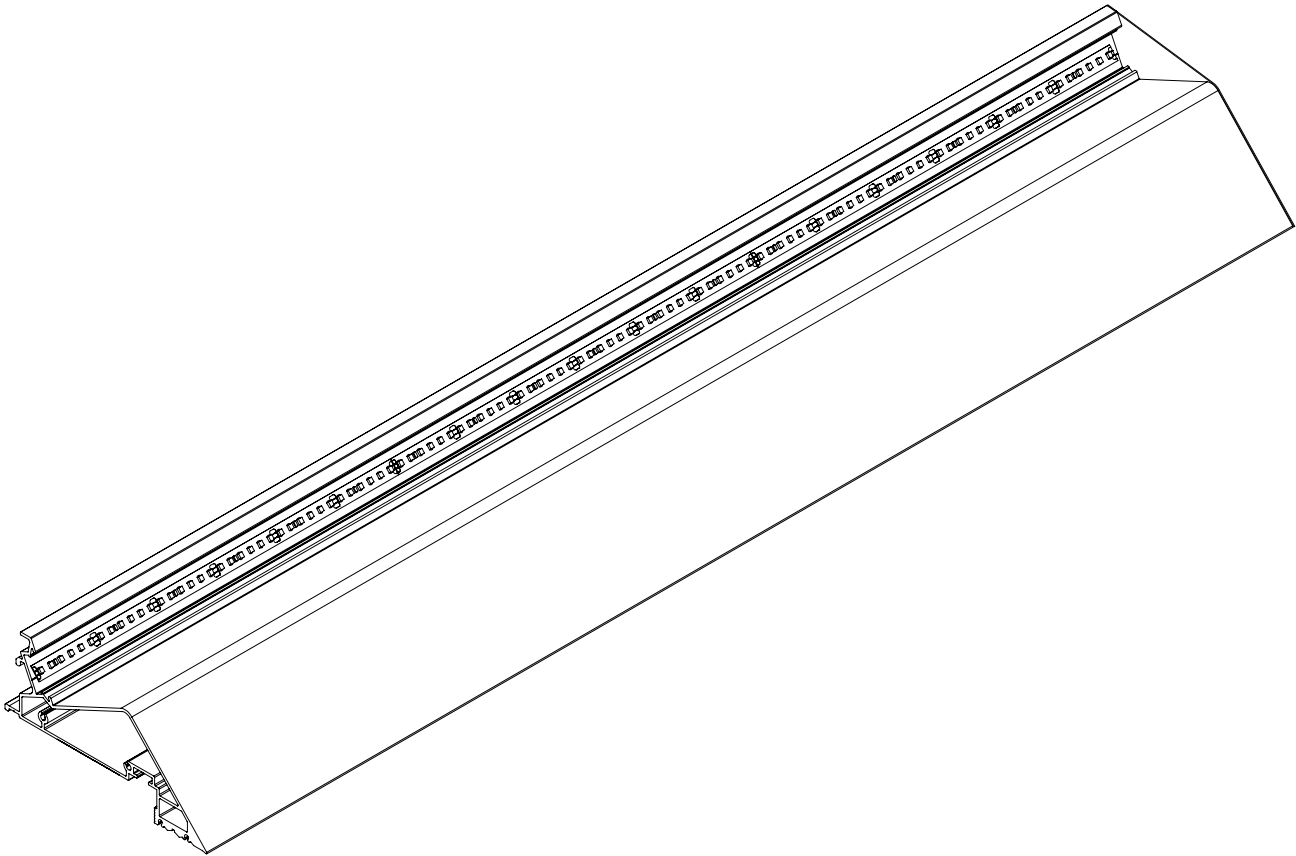


REVO.2  
102762024

1 / 8



7777 Merrimac Ave  
Niles, IL 60714  
T 224.333.6033  
F 224.757.7557  
info@luminii.com  
www.luminii.com



## Instruction page index:

Wall Preparation	2
Profile Installation	3
Ceiling Finishing	5
Light Engine Installation	8

# Knife Edge - Installation Instructions

Models KE-XX

Please read all instructions prior to installation and keep for future reference!

1. PRODUCT TO BE INSTALLED BY A QUALIFIED ELECTRICIAN.
2. USE ONLY WITH CLASS 2 POWER UNIT.
3. 24 VOLTS DC.
4. SURFACE MOUNT ONLY
5. INHERENTLY PROTECTED
6. FIXTURE SHOULD BE INSTALLED BY TWO PEOPLE.



REVO.2  
102762024

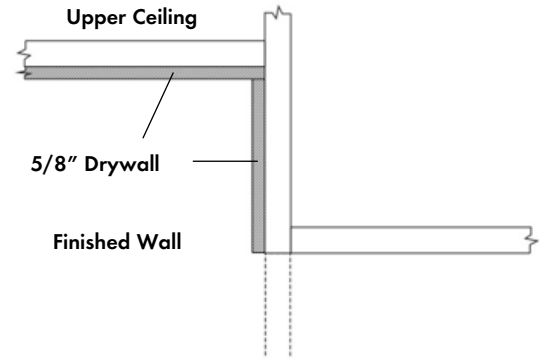
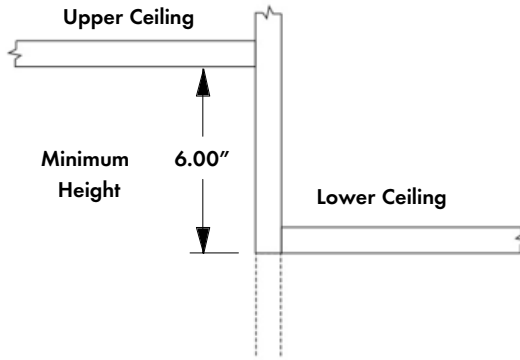
2 / 8



7777 Merrimac Ave  
Niles, IL 60714  
T 224.333.6033  
F 224.757.7557  
info@luminii.com  
www.luminii.com

## Wall Preparation

1



- 1.1 Begin installation by providing rough-in wall and ceiling structure for each 'System' location.
- 1.2 Install 5/8" drywall onto upper ceiling and cove wall.
- 1.3 Tape and mud joints. Sand to smooth finish and apply paint primer and paint color.

# Knife Edge - Installation Instructions

Models KE-XX



7777 Merrimac Ave  
Niles, IL 60714  
T 224.333.6033  
F 224.757.7557  
info@luminii.com  
www.luminii.com

Please read all instructions prior to installation and keep for future reference!

1. PRODUCT TO BE INSTALLED BY A QUALIFIED ELECTRICIAN.
2. USE ONLY WITH CLASS 2 POWER UNIT.
3. 24 VOLTS DC.
4. SURFACE MOUNT ONLY
5. INHERENTLY PROTECTED
6. FIXTURE SHOULD BE INSTALLED BY TWO PEOPLE.

REV.0.2  
102762024

3 / 8

## Profile Installation

**1**

**1.1** Plan out power feed location for F.O.T.™ light engine using shop drawing and drill  $19/64$ " hole to fit grommet. If Inner Corners are used, Light Engines must be spaced 3" away from corner on both sides.

**1.2** If corner pieces were provided install corners first using (1) Wall Bracket on one wall. Wall Bracket can be field cut to accommodate length of each corner and must be mounted 3-4" away from the corner mounting surface using #6-20 X  $1/2$ " Drilling Screw.

**2**

**2.1** Secure Wall Brackets onto mounting surface by drilling #6-20 X  $1/2$ " Drilling Screws onto studs. Two screws required to mount each Wall Bracket. Wall Bracket can be field cut to accommodate length of Blade Body.

# Knife Edge - Installation Instructions

Models KE-XX

Please read all instructions prior to installation and keep for future reference!

1. PRODUCT TO BE INSTALLED BY A QUALIFIED ELECTRICIAN.
2. USE ONLY WITH CLASS 2 POWER UNIT.
3. 24 VOLTS DC.
4. SURFACE MOUNT ONLY
5. INHERENTLY PROTECTED
6. FIXTURE SHOULD BE INSTALLED BY TWO PEOPLE.



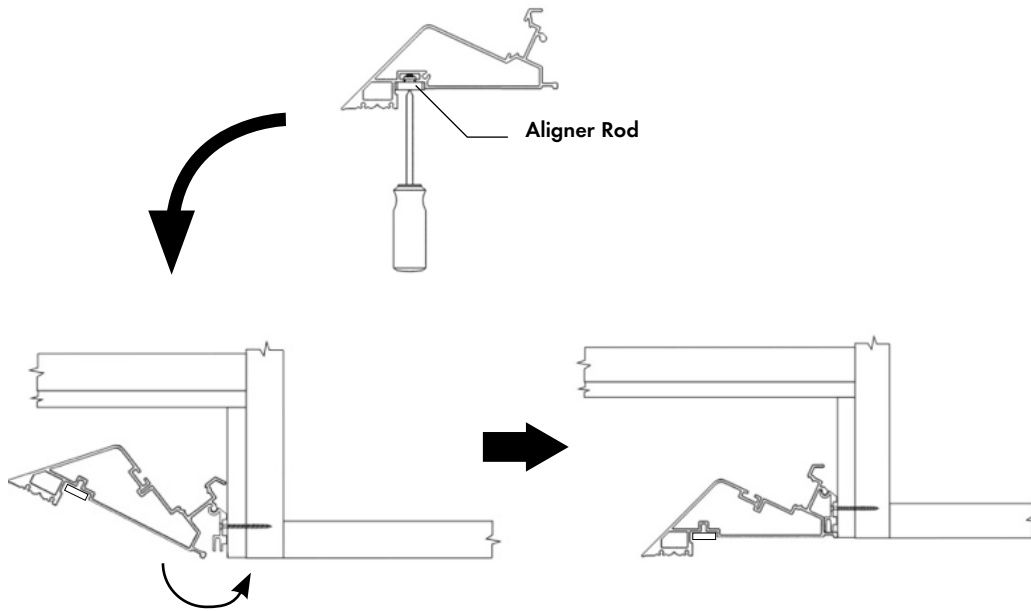
REVO.2  
102762024

4 / 8



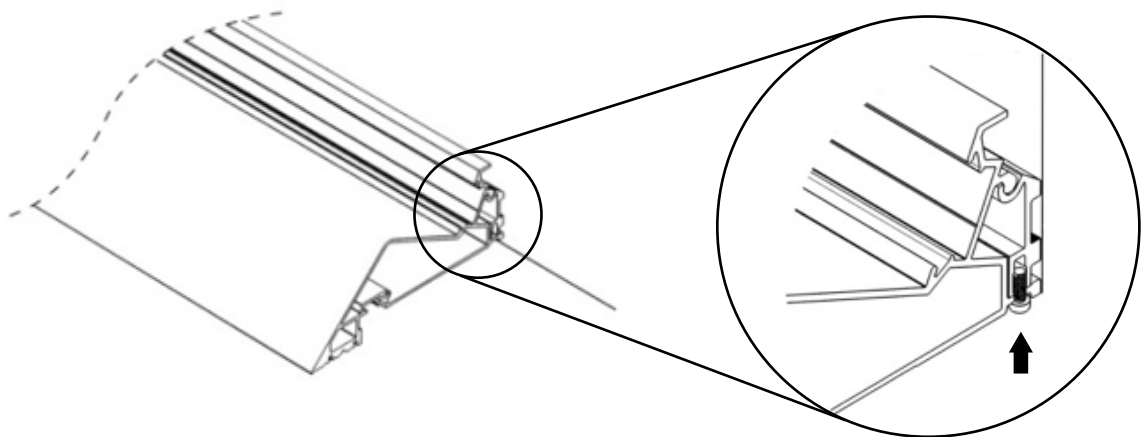
7777 Merrimac Ave  
Niles, IL 60714  
T 224.333.6033  
F 224.757.7557  
info@luminii.com  
www.luminii.com

3



- 3.1 Insert Aligner Rods into Aligner Rod slot at the bottom of the Blade Body to be used later to join multiple runs/corners together.
- 3.2 Apply and fix Blade Body to wall by aligning Blade Body with Wall Bracket at an angle and then rotating downward.

4



- 4.1 Lock the Blade Body to the Mounting Bracket using Locking Screw.

# Knife Edge - Installation Instructions

Models KE-XX



7777 Merrimac Ave  
Niles, IL 60714  
T 224.333.6033  
F 224.757.7557  
info@luminii.com  
www.luminii.com

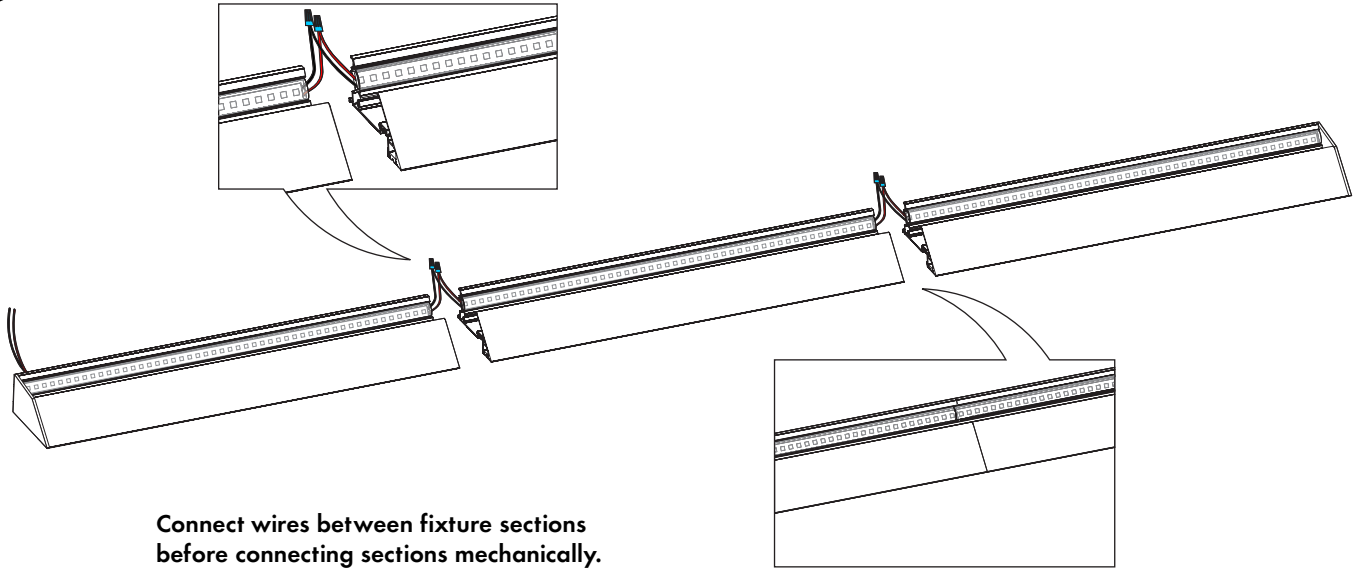
**Please read all instructions prior to installation and keep for future reference!**

1. PRODUCT TO BE INSTALLED BY A QUALIFIED ELECTRICIAN.
2. USE ONLY WITH CLASS 2 POWER UNIT.
3. 24 VOLTS DC.
4. SURFACE MOUNT ONLY
5. INHERENTLY PROTECTED
6. FIXTURE SHOULD BE INSTALLED BY TWO PEOPLE.

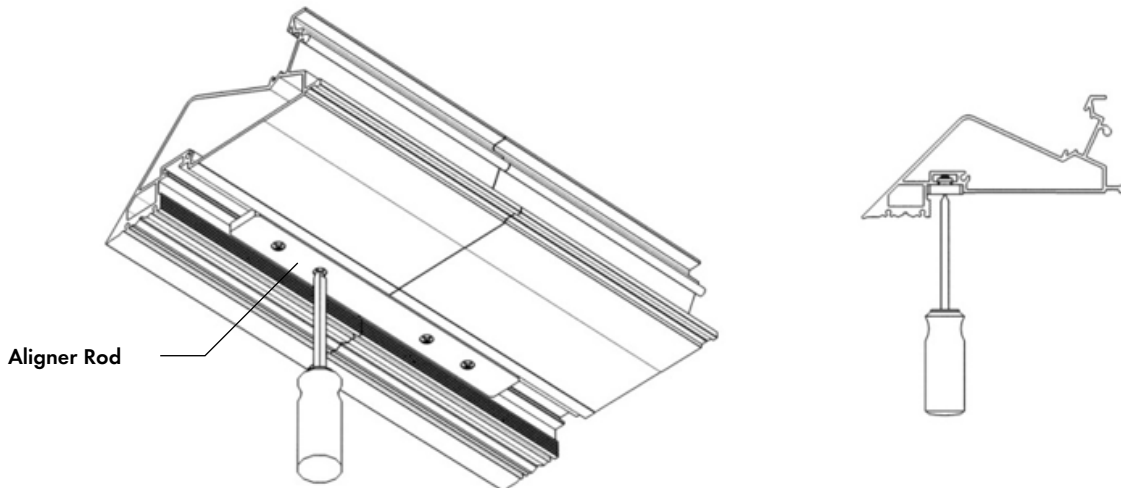
REVO.2  
102762024

5 / 8

**5**



**6**



Fix two connecting pieces together using Aligner Rod.

# Knife Edge - Installation Instructions

Models KE-XX

Please read all instructions prior to installation and keep for future reference!

1. PRODUCT TO BE INSTALLED BY A QUALIFIED ELECTRICIAN.
2. USE ONLY WITH CLASS 2 POWER UNIT.
3. 24 VOLTS DC.
4. SURFACE MOUNT ONLY
5. INHERENTLY PROTECTED
6. FIXTURE SHOULD BE INSTALLED BY TWO PEOPLE.



REVO.2  
102762024

6 / 8

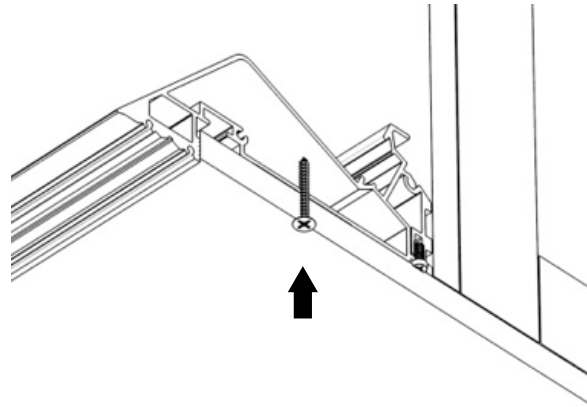


7777 Merrimac Ave  
Niles, IL 60714  
T 224.333.6033  
F 224.757.7557  
info@luminii.com  
www.luminii.com

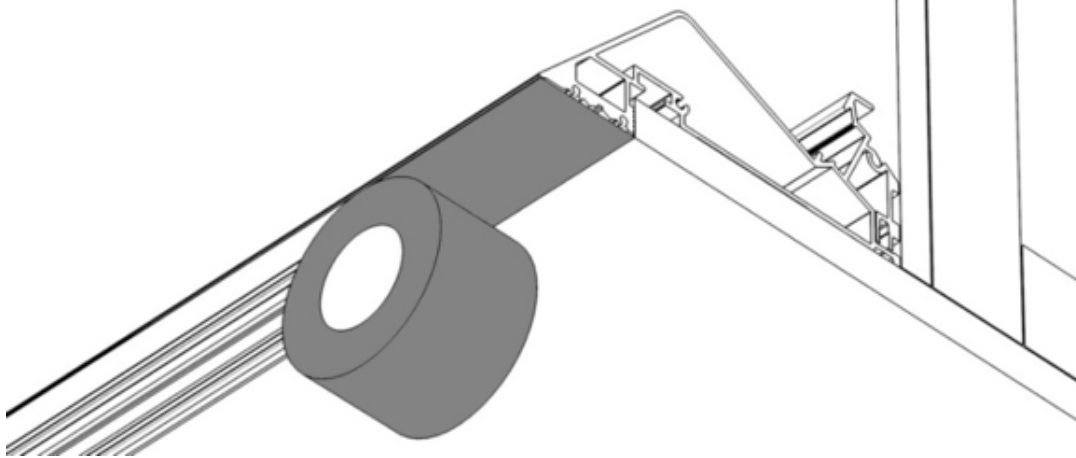
## Ceiling Finishing

1

Install 5/8" drywall to the underside of the housing. Apply joint compound to the fluted surface to improve adherence. Drill screws into the Knife Edge.



2



2.1 Apply drywall tape.

# Knife Edge - Installation Instructions

Models KE-XX

**Please read all instructions prior to installation and keep for future reference!**

1. PRODUCT TO BE INSTALLED BY A QUALIFIED ELECTRICIAN.
2. USE ONLY WITH CLASS 2 POWER UNIT.
3. 24 VOLTS DC.
4. SURFACE MOUNT ONLY
5. INHERENTLY PROTECTED
6. FIXTURE SHOULD BE INSTALLED BY TWO PEOPLE.

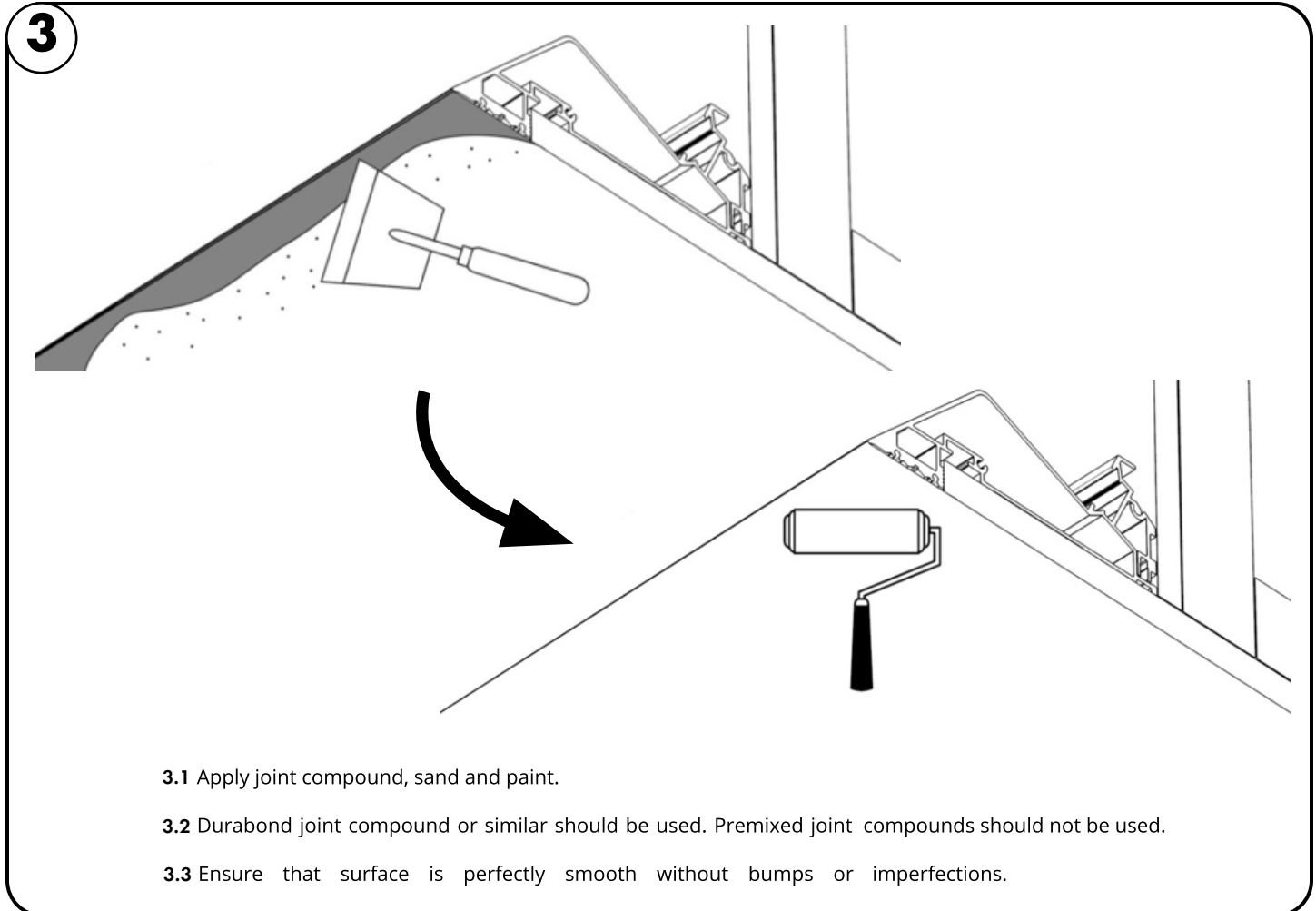


REVO.2  
102762024

7 / 8



7777 Merrimac Ave  
Niles, IL 60714  
T 224.333.6033  
F 224.757.7557  
info@luminii.com  
www.luminii.com



**3.1** Apply joint compound, sand and paint.

**3.2** Durabond joint compound or similar should be used. Premixed joint compounds should not be used.

**3.3** Ensure that surface is perfectly smooth without bumps or imperfections.

# Knife Edge - Installation Instructions

Models KE-XX

Please read all instructions prior to installation and keep for future reference!

1. PRODUCT TO BE INSTALLED BY A QUALIFIED ELECTRICIAN.
2. USE ONLY WITH CLASS 2 POWER UNIT.
3. 24 VOLTS DC.
4. SURFACE MOUNT ONLY
5. INHERENTLY PROTECTED
6. FIXTURE SHOULD BE INSTALLED BY TWO PEOPLE.



REVO.2  
102762024

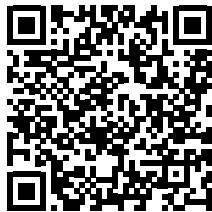
8 / 8



7777 Merrimac Ave  
Niles, IL 60714  
T 224.333.6033  
F 224.757.7557  
info@luminii.com  
www.luminii.com

## Power Supply Wiring Diagram

**Note:** Prior to installation all 24VDC wires must be present near fixture. Refer to the power supply installation instructions for additional information.



Warm Dim  
Wiring Diagram PDF



Static White  
Wiring Diagram PDF