

Kilo System - Installation Instructions

Model KS

Please read all instructions prior to installation and keep for future reference!

1. PRODUCT TO BE INSTALLED BY A QUALIFIED ELECTRICIAN.
2. PRIOR TO INSTALLATION ENSURE POWER IS OFF AT FUSE BOX TO PREVENT ELECTRICAL SHOCK.
3. USE ONLY WITH CLASS 2 LED DRIVER.
4. SUITABLE FOR DAMP LOCATION INSTALLATIONS.
5. FIXTURE SHOULD BE INSTALLED BY TWO PEOPLE.

PLENUM FOR
SUCH USE IN
ACCORDANCE
WITH UL2043

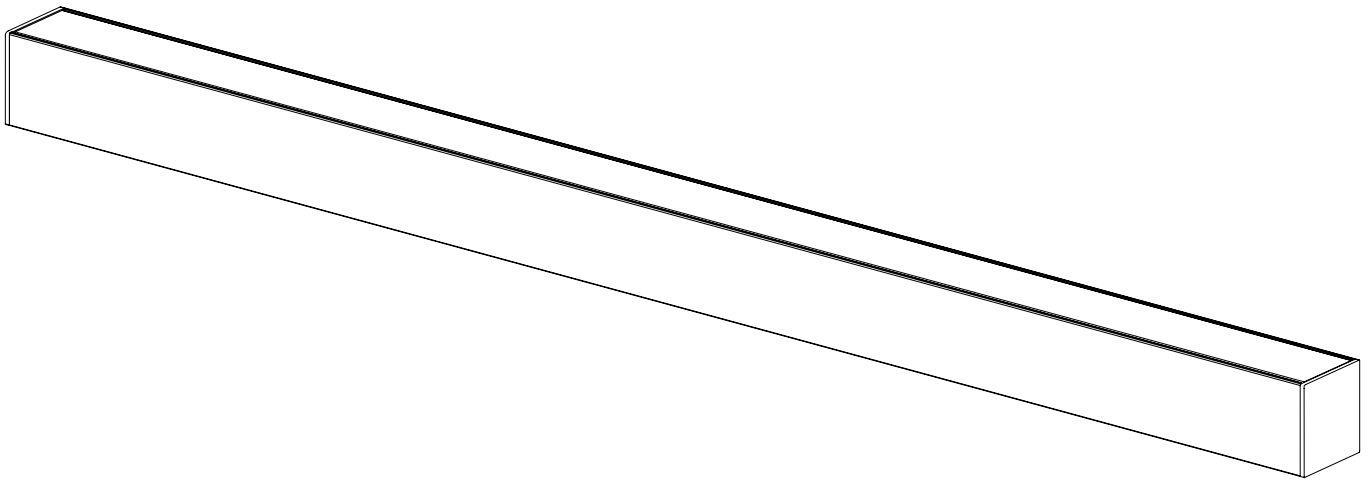


REVO.2
10022024

1 / 5



7777 Merrimac Ave
Niles, IL 60714
T 224.333.6033
F 224.757.7557
info@luminii.com
www.luminii.com



Kilo concealed clip mount

Kilo System - Installation Instructions

Model KS



7777 Merrimac Ave
Niles, IL 60714
T 224.333.6033
F 224.757.7557
info@luminii.com
www.luminii.com

Please read all instructions prior to installation and keep for future reference!

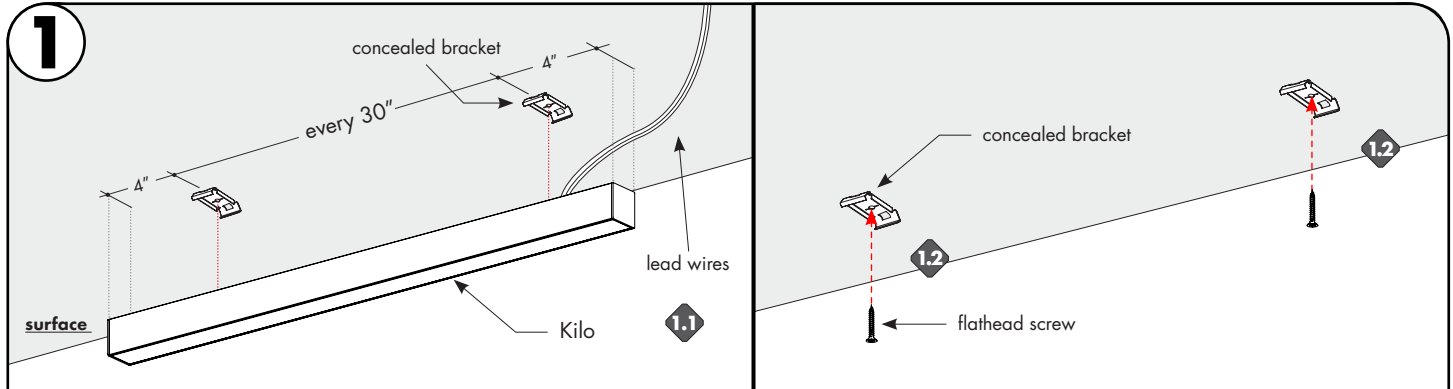
1. PRODUCT TO BE INSTALLED BY A QUALIFIED ELECTRICIAN.
2. PRIOR TO INSTALLATION ENSURE POWER IS OFF AT FUSE BOX TO PREVENT ELECTRICAL SHOCK.
3. USE ONLY WITH CLASS 2 LED DRIVER.
4. SUITABLE FOR DAMP LOCATION INSTALLATIONS.
5. FIXTURE SHOULD BE INSTALLED BY TWO PEOPLE.

PLENUM FOR SUCH USE IN ACCORDANCE WITH UL2043

REVO.2
10022024

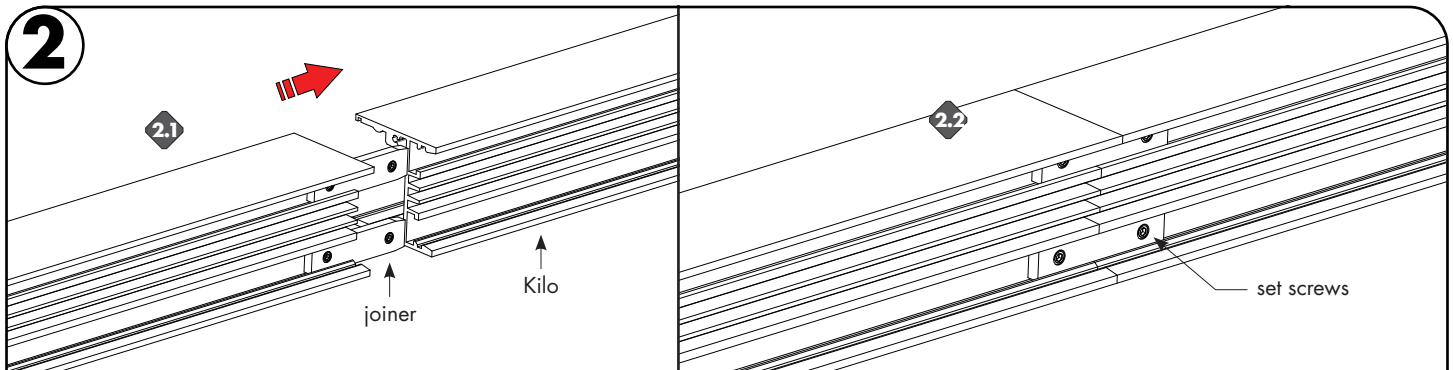
2 / 5

Concealed bracket installation



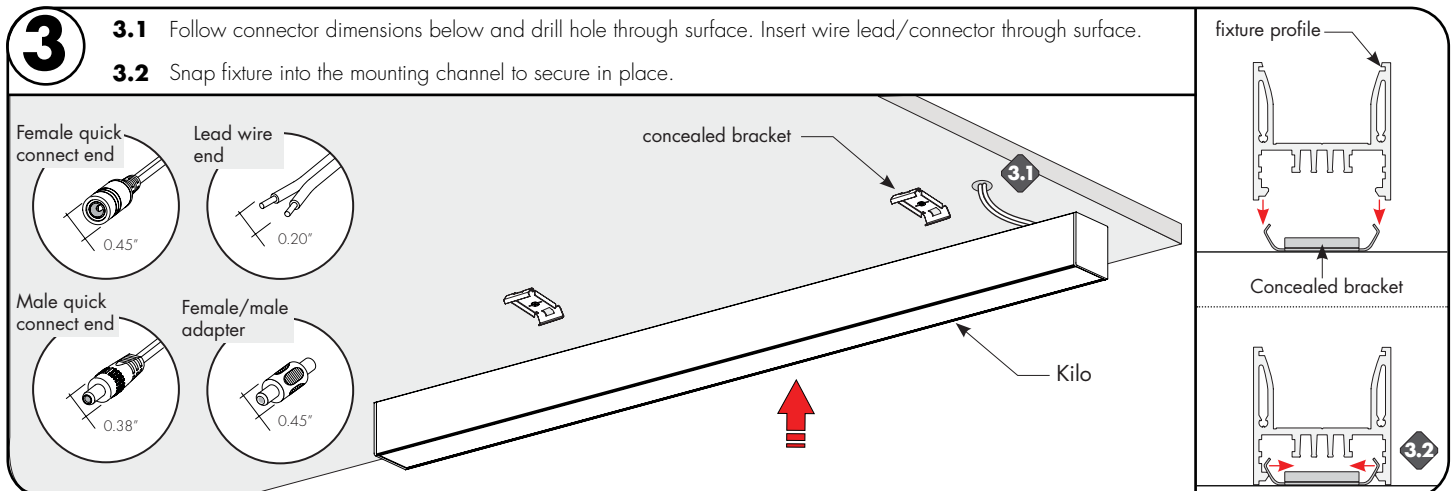
1.1 Determine the location of where the fixture(s) will be installed. Lay the fixture(s) on the surface, and make any necessary reference marks for the concealed bracket. Make marks 4" from each end of the fixture(s) and also every 30" in between.

1.2 Lay the concealed bracket onto the reference mark points and secure using the provided hardware.



2.1 If joining sections together as a system align the joiners to the corresponding section end.

2.2 Insert then tighten the set screws to secure.



3.1 Follow connector dimensions below and drill hole through surface. Insert wire lead/connector through surface.

3.2 Snap fixture into the mounting channel to secure in place.

Kilo System - Installation Instructions

Model KS



7777 Merrimac Ave
Niles, IL 60714
T 224.333.6033
F 224.757.7557
info@luminii.com
www.luminii.com

Please read all instructions prior to installation and keep for future reference!

1. PRODUCT TO BE INSTALLED BY A QUALIFIED ELECTRICIAN.
2. PRIOR TO INSTALLATION ENSURE POWER IS OFF AT FUSE BOX TO PREVENT ELECTRICAL SHOCK.
3. USE ONLY WITH CLASS 2 LED DRIVER.
4. SUITABLE FOR DAMP LOCATION INSTALLATIONS.
5. FIXTURE SHOULD BE INSTALLED BY TWO PEOPLE.

PLENUM FOR SUCH USE IN ACCORDANCE WITH UL2043

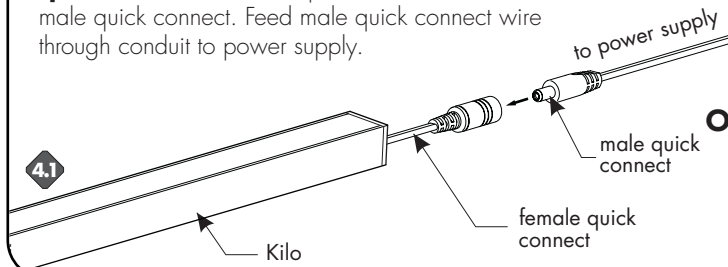
REVO.2
10022024

3 / 5

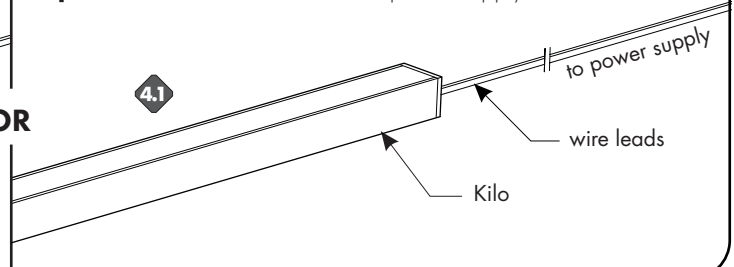
4

4.1 Follow one of the two options to connect the Kilo to the power supply.

Option 1 - Secure female quick connect to male quick connect. Feed male quick connect wire through conduit to power supply.



Option 2 - Feed wire leads to the power supply.



Kilo System - Installation Instructions

Model KS



7777 Merrimac Ave
Niles, IL 60714
T 224.333.6033
F 224.757.7557
info@luminii.com
www.luminii.com

Please read all instructions prior to installation and keep for future reference!

1. PRODUCT TO BE INSTALLED BY A QUALIFIED ELECTRICIAN.
2. PRIOR TO INSTALLATION ENSURE POWER IS OFF AT FUSE BOX TO PREVENT ELECTRICAL SHOCK.
3. USE ONLY WITH CLASS 2 LED DRIVER.
4. SUITABLE FOR DAMP LOCATION INSTALLATIONS.
5. FIXTURE SHOULD BE INSTALLED BY TWO PEOPLE.

PLENUM FOR SUCH USE IN ACCORDANCE WITH UL2043

REVO.2
10022024

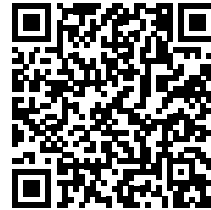
4 / 5

Power Supply Wiring Diagram

Note: Prior to installation all 24VDC wires must be present near fixture. Refer to the power supply installation instructions for additional information.



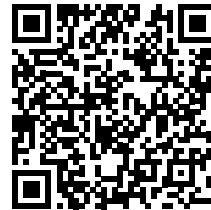
Static White
Wiring Diagram PDF



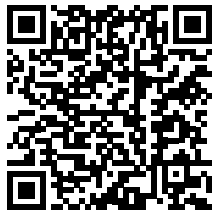
RGB/RGBW
Wiring Diagram PDF



Warm Dim
Wiring Diagram PDF



Pixel
Wiring Diagram PDF



Tunable White
Wiring Diagram PDF

Kilo System - Installation Instructions

Model KS



7777 Merrimac Ave
Niles, IL 60714
T 224.333.6033
F 224.757.7557
info@luminii.com
www.luminii.com

Please read all instructions prior to installation and keep for future reference!

1. PRODUCT TO BE INSTALLED BY A QUALIFIED ELECTRICIAN.
2. PRIOR TO INSTALLATION ENSURE POWER IS OFF AT FUSE BOX TO PREVENT ELECTRICAL SHOCK.
3. USE ONLY WITH CLASS 2 LED DRIVER.
4. SUITABLE FOR DAMP LOCATION INSTALLATIONS.
5. FIXTURE SHOULD BE INSTALLED BY TWO PEOPLE.

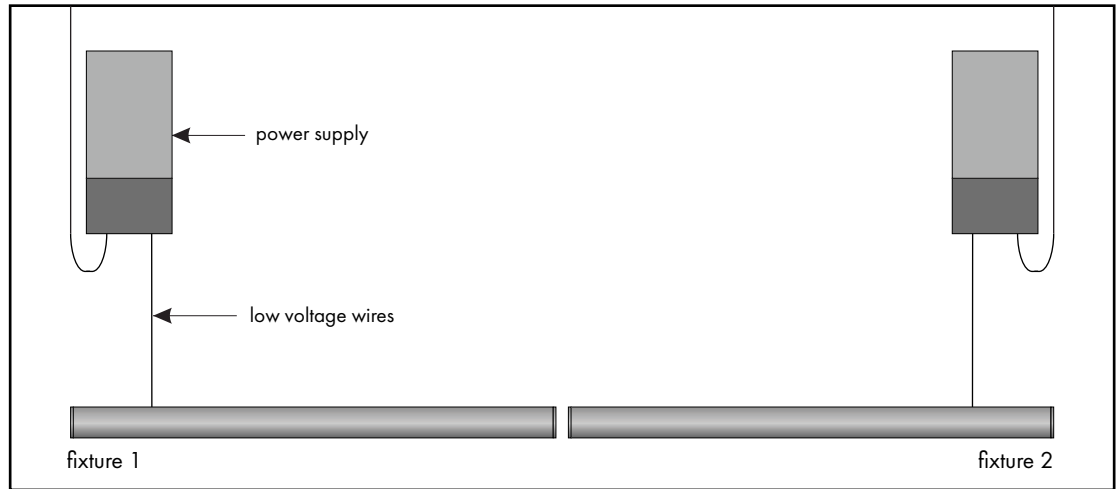
PLENUM FOR SUCH USE IN ACCORDANCE WITH UL2043

REVO.2
10022024

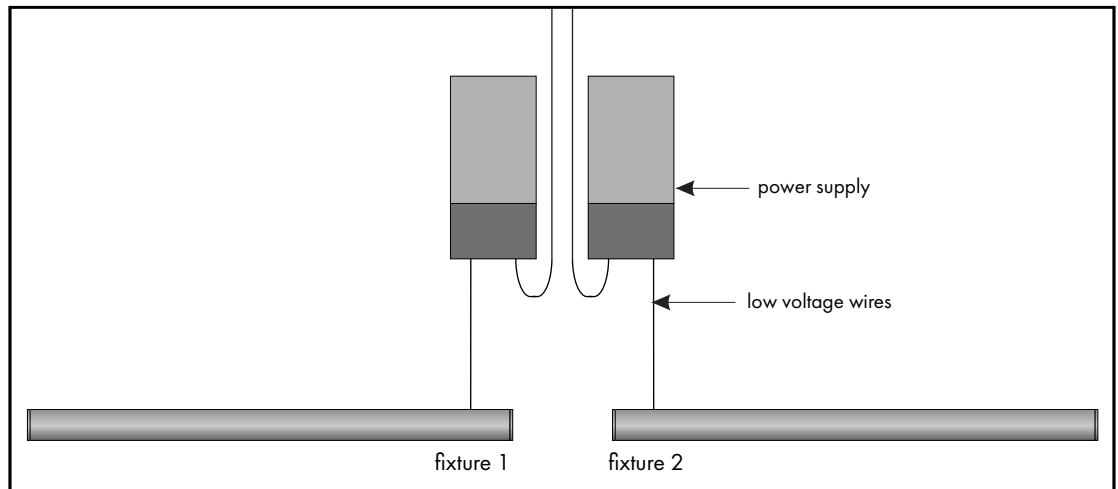
5 / 5

Multiple powerfeed layouts

power supplies at the end of the run



power supplies in the middle of the run



consecutive layout, NOT RECOMMENDED

