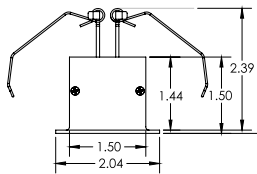


Features

- 24VDC Class 2 fixtures made to order up to 144". Fixtures can be linked up to 24' depending on output
- Available with plenum rated wire leads or with integral junction box for splice connection
- Continuous Lens may be ordered separately for multi-fixture runs to create an even, seamless appearance
- Mounting hardware is included with the fixture
- Average Life (L70): 50,000hrs
- Proprietary strong bond solder method handles up to 50 lbs of pull force on wire leads and connectors
- Dot free even illumination with frosted lens
- High Color Quality options offer premium quality and vibrant colors with R9 values up to 97
- High Efficacy options offer best in class output and efficacy with over 1490 lm/ft and up to 105 lm/W
- 7 year warranty



Finish Options (see page 3 for additional information)

- Base Silver Anodized
- Powder Coat Black Bronze White
- Premium Matte Black Warm Nickel Aged Brass Polished Gold Chrome



Technical Information

MODEL	High Color Quality			High Efficacy				High Efficacy
OUTPUT OPTIONS	2x 72SO	2x 72HO	2x 72VHO	2x HE48LO	2x HE48SO	2x HE48MO	2x HE48HO	2x HE64VHO
Lumens Output (3000K) (with a Frosted Lens)	408 lm/ft	663 lm/ft	806 lm/ft	397 lm/ft	550 lm/ft	735 lm/ft	1179 lm/ft	1492 lm/ft
Average Power Consumption (for a 4' section)	5.6 W/ft	9.6 W/ft	12 W/ft	3.8 W/ft	5.6 W/ft	7 W/ft	13 W/ft	15 W/ft
Efficacy	73 lm/W	69 lm/W	67 lm/W	104 lm/W	98 lm/W	105 lm/W	91 lm/W	99 lm/W
Max Run Length (in series)	20 ft	16 ft	11 ft	24 ft	21 ft	17 ft	12 ft	8 ft
Ambient Operating Temperature Range*	-5°F - 125°F (-20°C - 50°C)	-5°F - 115°F (-20°C - 45°C)	-5°F - 105°F (-20°C - 40°C)	-5°F - 125°F (-20°C - 50°C)	-5°F - 125°F (-20°C - 50°C)	-5°F - 115°F (-20°C - 45°C)	-5°F - 105°F (-20°C - 40°C)	-5°F - 95°F (-20°C - 35°C)

*Ambient Operating Temperature Range to maintain L70 of 50k+ hours in normal mounting conditions for the fixture. Exceeding Ambient Operating Temperature Range may result in decreased life/output. Consult Technical Support for specific inquiries.

High Color Quality (72)

CCT	Multiplier (reference - 3000K)	TM-30			
		CRI	R _f	R _g	R ₉
1900K	0.55	96	94	97	90
2200K	0.70	96	95	101	89
2400K	0.72	98	97	101	91
2700K	0.74	97	96	101	91
3000K	1.00	97	95	104	97
3500K	1.02	97	94	105	97
4100K	1.07	97	90	99	97

High Efficacy (HE48/HE64)

CCT	Multiplier (reference - 3000K)	TM-30			
		CRI	R _f	R _g	R ₉
2200K	0.73	92	91	97	42
2500K	0.81	93	96	96	62
2700K	0.94	92	90	99	58
3000K	1.00	92	89	99	57
3500K	1.02	92	89	99	60
4000K	1.02	92	86	94	71

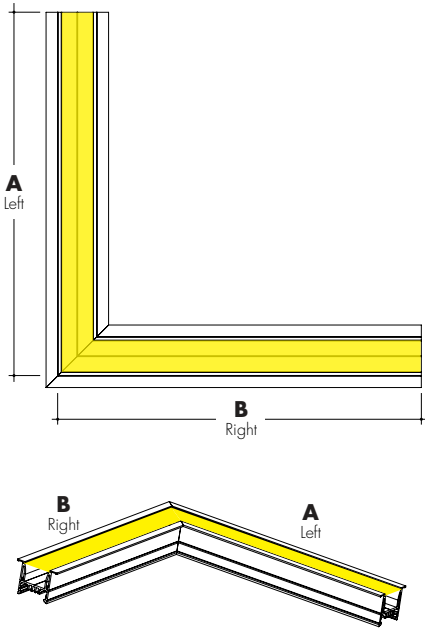
Ordering Code

MODEL	LENGTH ¹	OUTPUT ²	CCT	LENS ³	FINISH ⁴	LEFT END CAP (A)	RIGHT END CAP (B)	POWER FEED LEFT END ⁶	POWER FEED RIGHT END ⁶
KR - Kilo Recessed	12"-144" 1" increments	72SO - Standard 72HO - High 72VHO - Very High	19K - 1900K 22K - 2200K 24K - 2400K 27K - 2700K 30K - 3000K 35K - 3500K 41K - 4100K	F - Frosted C - Clear N - No Lens	BASE SA - Silver Anodized POWDER COAT BK - Black BZ - Bronze WH - White PREMIUM MBK - Matte Black WN - Warm Nickel AB - Aged Brass PG - Polished Gold ⁵ CH - Chrome ⁵	LE - Endcap Left End LN - No Endcap Left End	RE - Endcap Right End RN - No Endcap Right End	PLENUM WIRE LEADS LPB - Back Wire Leads LNPF - No Power Feed	PLENUM WIRE LEADS RNPF - No Power Feed RPB - Back Wire Leads
	12"-144" 2" increments	HE48LO - Low HE48SO - Standard HE48MO - Medium HE48HO - High HE64VHO - Very High	27K - 2700K 30K - 3000K 35K - 3500K 40K - 4000K					JUNCTION BOX LJB - Junction Box Left LNPF - No Power Feed	JUNCTION BOX RNPF - No Power Feed RJB - Junction Box Right

1 - Custom lengths and increments are available, please consult Inside Sales with specific request.
 2 - All High Efficacy options can be used to comply with Title 24 JAB. High Color Quality options can be used to comply with Title 24 JAB depending on Output, CCT, and Lens selections. See multiplier charts to calculate specific efficacies.
 3 - Continuous Lens may be ordered separately for multi-fixture runs to create an even, seamless appearance.
 4 - Non Base finishes may have extended lead times. Custom RALs are available, please consult Inside Sales with specific request.
 5 - Polished Gold finishes and Chrome finishes have a maximum fixture length of 96".
 6 - Wire leads are plenum rated and 72" long. Junction Box comes with 24" non-plenum rated wire.
 7 - NOTE: Each Kilo Recesses fixture/section requires it's own home run to a power supply. They cannot be electrically connected together

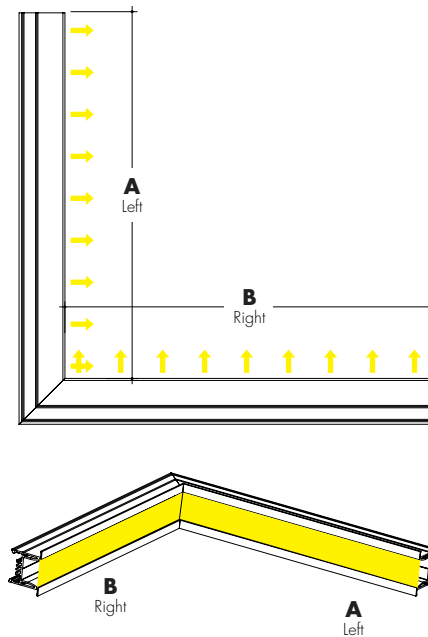
Kilo Recessed Corner Options

K-FC
Flat Corner



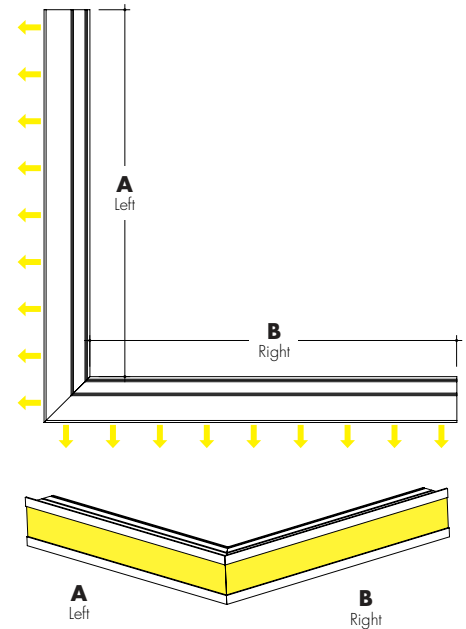
Dimensions measured for the length of recessed needed

K-IC
Inner Corner



Dimensions measured for the length of the outer (longer) length of the recessed needed

K-OC
Outside Corner



Dimensions measured for the length of recessed needed

High Color Quality	Actual Length		Total Wattage		
	A	B	72SO	72HO	72VHO
Corner Type					
Flat (KR-FC)	13 4/16	12 3/16	10.2	17.1	22.6
Outer (KR-OC)	12 9/16	12 9/16	10.2	17.1	22.6
Inner (KR-IC)	10 13/16	10 13/16	10.2	17.1	22.6

High Efficacy	Actual Length		Total Wattage				Actual Length		Total Wattage	
	A	B	HE48LO	HE48SO	HE48MO	HE48HO	A	B	HE64SO	HE64HO
Corner Type										
Flat (KR-FC)	13 8/16	13 8/16	6.7	10.2	12.6	23.9	13 13/16	12 12/16	29.5	37.6
Outer (KR-OC)	12 13/16	12 13/16	6.7	10.2	12.6	23.9	13 2/16	13 2/16	29.5	37.6
Inner (KR-IC)	11 1/16	11 1/16	6.7	10.2	12.6	23.9	11 6/16	11 6/16	29.5	37.6

Ordering Code

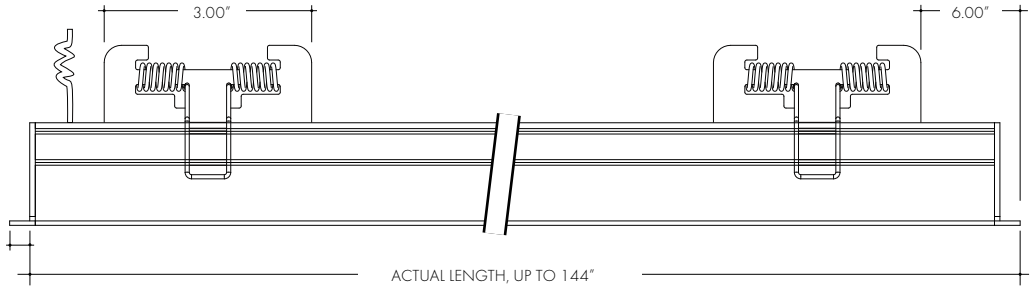
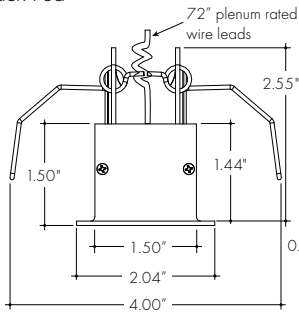
MODEL	CORNER	ANGLE	OUTPUT ²	CCT	LENS ³	FINISH ⁴	LEFT END CAP (A)	RIGHT END CAP (B)	POWER FEED LEFT END ⁶	POWER FEED RIGHT END ⁶
KR-Kilo Recessed	IC-Inside Corner OC-Outside Corner FC-Flat Corner	90-90° C-Custom Angle Corner ¹	72SO-Standard 72HO-High 72VHO-Very High	19K-1900K 22K-2200K 24K-2400K 27K-2700K 30K-3000K 35K-3500K 41K-4100K	F-Frosted C-Clear N-None	BASE SA-Silver Anodized POWDER COAT BK-Black BZ-Bronze WH-White PREMIUM MBK-Matte Black WVN-Warm Nickel AB-Aged Brass PG-Polished Gold ⁵ CH-Chrome ⁵	LE-Endcap Left End LN-No Endcap Left End	RE-Endcap Right End RN-No Endcap Right End	PLENUM WIRE LEADS LPB-Back Wire Leads LNPF-No Power Feed	PLENUM WIRE LEADS RNPf-No Power Feed RPB-Back Wire Leads
			HE48LO-Low HE48SO-Standard HE48MO-Medium HE48HO-High HE64VHO-Very High	22K-2200K 25K-2500K 27K-2700K 30K-3000K 35K-3500K 40K-4000K					JUNCTION BOX LJB-Junction Box Left LNPF-No Power Feed	JUNCTION BOX RNPf-No Power Feed RJB-Junction Box Right

1 - Custom lengths and increments are available, please consult Inside Sales with specific request.
 2 - All High Efficacy options can be used to comply with Title 24 JA8. High Color Quality options can be used to comply with Title 24 JA8 depending on Output, CCT, and Lens selections. See multiplier charts to calculate specific efficacies.
 3 - Continuous Lens may be ordered separately for multi-fixture runs to create an even, seamless appearance.
 4 - Non Base finishes may have extended lead times. Custom RALs are available, please consult Inside Sales with specific request.
 5 - Polished Gold finishes and Chrome finishes have a maximum fixture length of 96".
 6 - Wire leads are plenum rated and 72" long. Junction Box comes with 24" non-plenum rated wire.
 7 - NOTE: Each Kilo Recesses fixture/section requires it's own home run to a power supply. They cannot be electrically connected together

Product Dimensions

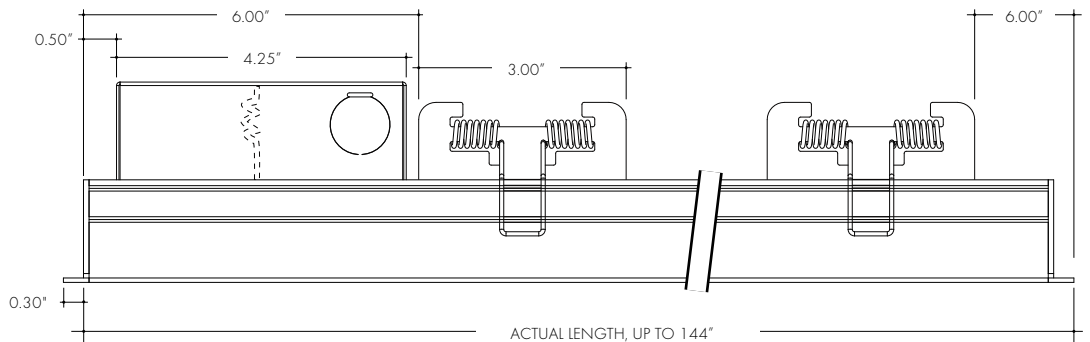
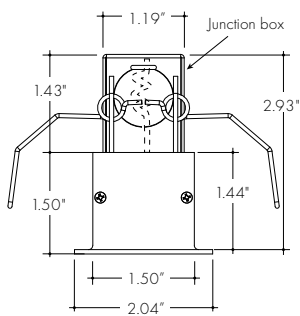
KR-XX-B

Kilo Back Fed



KR-XX-JB

Kilo Junction Box



Finish Options

- Finish options are available in a wide variety, allowing for complete customization of style and aesthetic.
- Non Base finishes may have extended lead times and price adder.
- Polished Gold and Chrome finishes have a maximum fixture length of 96".
- Custom RALs are available, please consult Inside Sales with specific request.

Silver Anodized Base



Silver Anodized is a soft silver with a clear finish.

Black Powder Coat



Black is a true deep black with a glossy finish.

Bronze Powder Coat



Bronze is a rich, dark brown with a satin finish.

White Powder Coat



White is a polar bright white and field paintable.

Matte Black Premium



Matte Black is a dark, pitch-black with a soft flat finish.

Warm Nickel Premium



Warm Nickel is a soft, silvery smoke with warm tones and a satin finish.

Aged Brass Premium



Aged Brass is a deep brown shade with slightly golden undertones.

Polished Gold Premium



Polished Gold is bright and radiant for a brilliant finish.

Chrome Premium



Chrome is a highly reflective silver polish.

Powerfeed options for Straight Fixtures

KR-XX-LPB-RNPF

Wire leads, plenum rated CL3R cable on left end of Straight Fixture



KR-XX-LNPF-RPB

Wire leads, plenum rated CL3R cable on right end of Straight Fixture



KR-XX-LJB-RNPF

One integrated junction box on left end of Straight fixture



KR-XX-LNPF-RJB

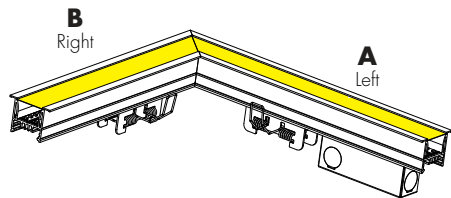
One integrated junction box on right end of Straight fixture



Powerfeed options for Corner Fixtures

KR-FC-90-XX-LJB-RNPF

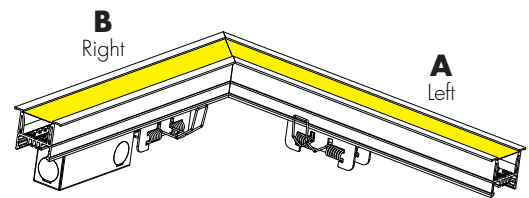
One integrated junction box on left end of Flat Corner fixture



Note: Plenum wires are not shown, but they would be on the same end as the junction box

KR-FC-90-XX-RNPF-RJB

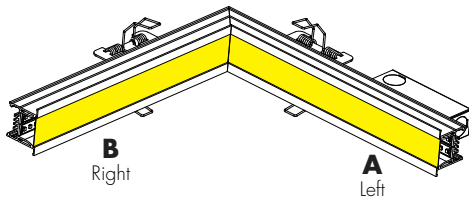
One integrated junction box on right end of Flat Corner fixture



Note: Plenum wires are not shown, but they would be on the same end as the junction box

KR-IC-90-XX-LJB-RNPF

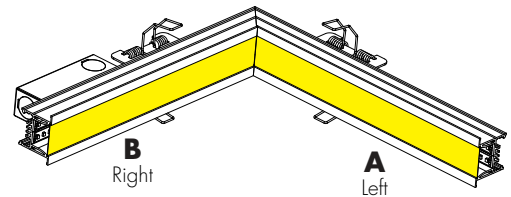
One integrated junction box on left end of Inside Corner fixture



Note: Plenum wires are not shown, but they would be on the same end as the junction box

KR-IC-90-XX-RNPF-RJB

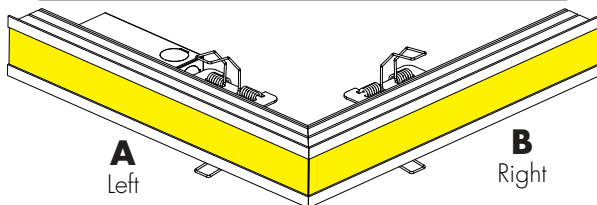
One integrated junction box on right end of Inside Corner fixture



Note: Plenum wires are not shown, but they would be on the same end as the junction box

KR-OC-90-XX-LJB-RNPF

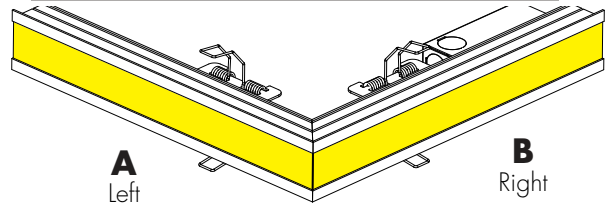
One integrated junction box on left end of Outside Corner fixture



Note: Plenum wires are not shown, but they would be on the same end as the junction box

KR-OC-90-XX-RNPF-RJB

One integrated junction box on right end of Outside Corner fixture

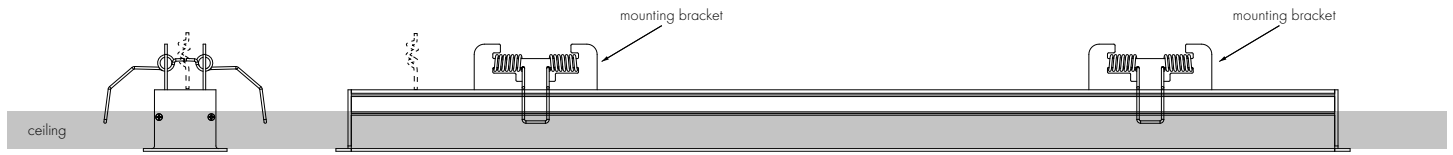


Note: Plenum wires are not shown, but they would be on the same end as the junction box

Sample Layout of Power Feed

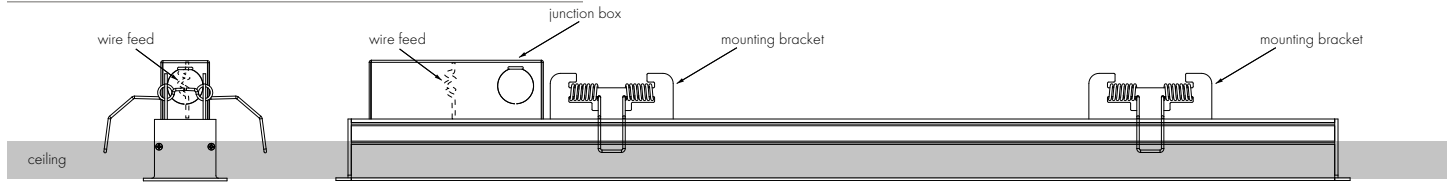
KR-XX-LE-RE-LPB-RNPF

Kilo Recessed with back feed



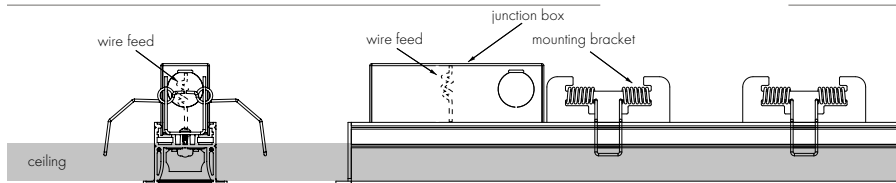
KR-XX-LE-RE-LJB-RNPF

Kilo Recessed with left endcap, with right endcap, with Junction Box



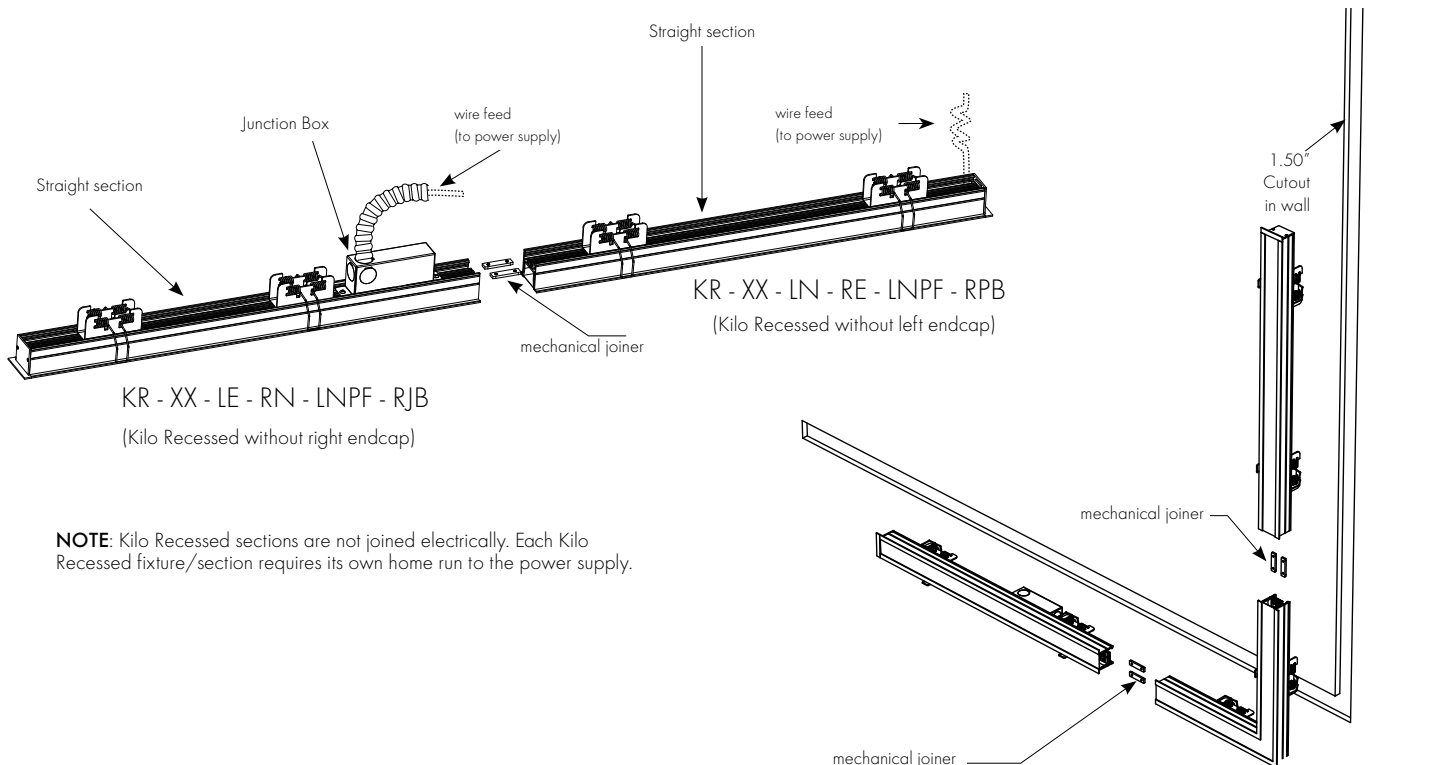
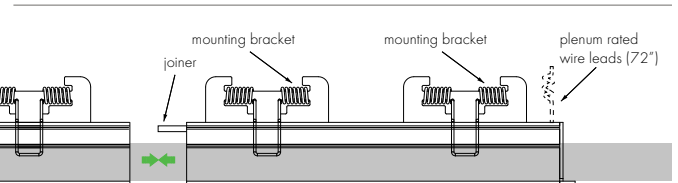
KR-XX-LE-RN-LJB-RNPF

Kilo Recessed with left endcap, without right endcap, with Junction Box on left



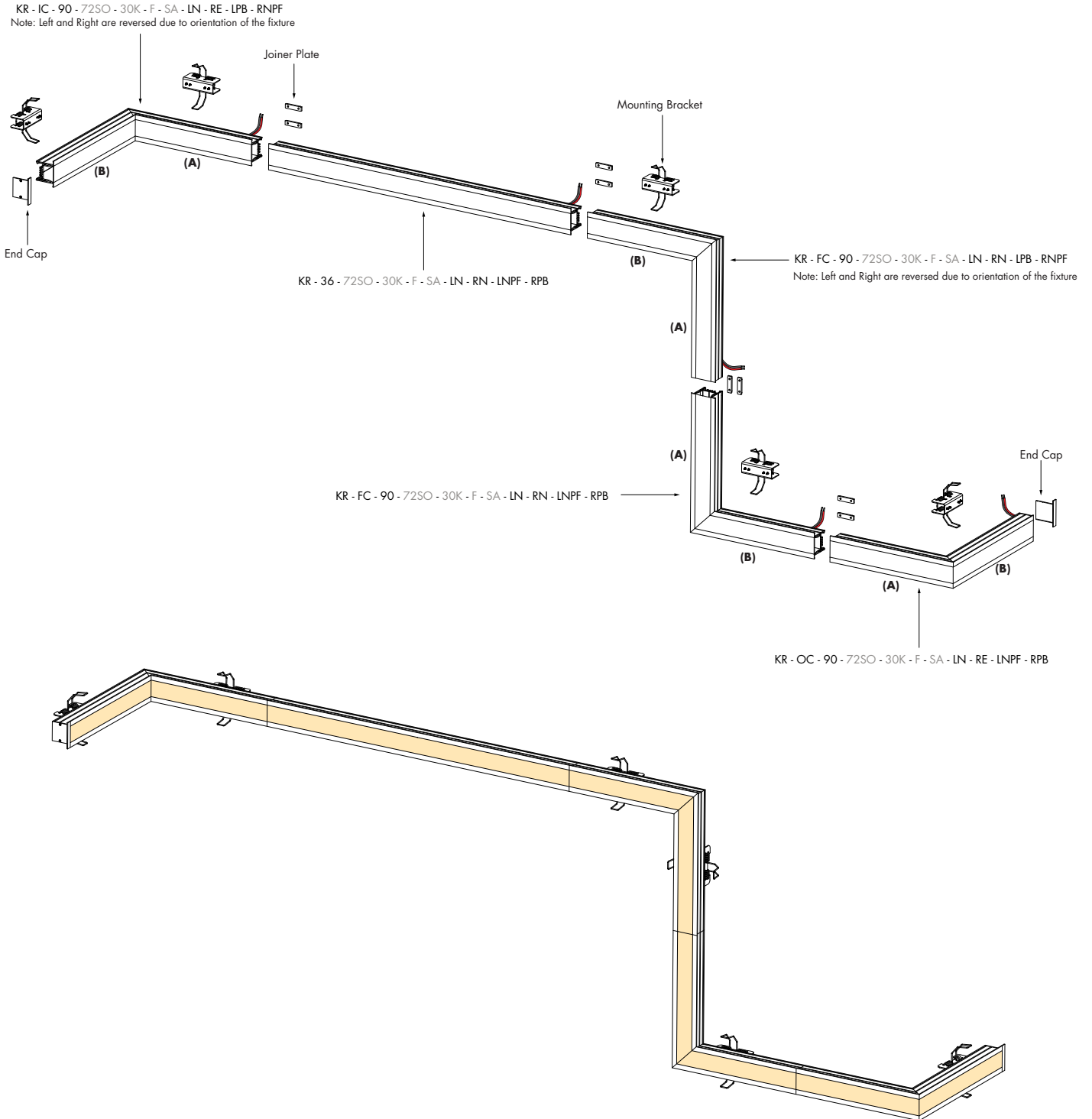
KR-XX-LN-RE-LNPF-RPB

Kilo Recessed without left endcap, with right endcap, with plenum wire leads on right



NOTE: Kilo Recessed sections are not joined electrically. Each Kilo Recessed fixture/section requires its own home run to the power supply.

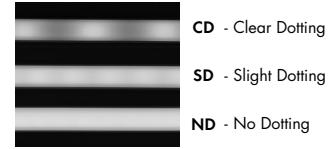
Layout Example



NOTE: Kilo Recessed sections are not joined electrically. Each Kilo Recessed section requires its own home run to the power supply.

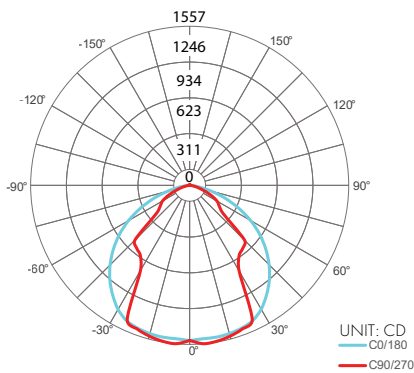
Light Transmission and Dotting

Output Options	Lens/Accessory							
	Clear Lens				Frosted Lens			
	100%	50%	10%	1%	100%	50%	10%	1%
72SO	CD	CD	CD	CD	ND	ND	ND	ND
72HO	CD	CD	CD	CD	ND	ND	ND	ND
72VHO	CD	CD	CD	CD	ND	ND	ND	ND
HE48LO	CD	CD	CD	CD	ND	ND	ND	ND
HE48SO	CD	CD	CD	CD	ND	ND	ND	ND
HE48MO	CD	CD	CD	CD	ND	ND	ND	ND
HE48HO	CD	CD	CD	CD	ND	ND	ND	ND
HE64VHO	CD	CD	CD	CD	ND	ND	ND	ND
Transmission Percentage	114%				100%			

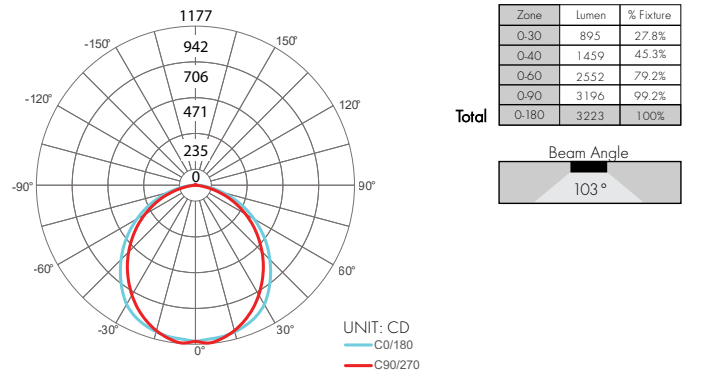


Photometry

KR-48-72VHO-30K-C
Kilo Recessed, 4ft, VHO, 3000K, Clear Lens

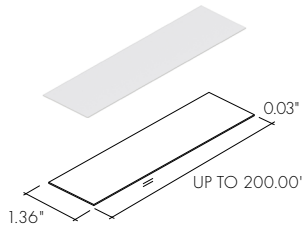


KR-48-72VHO-30K-F
Kilo Recessed, 4ft, VHO, 3000K, Frosted Lens



Accessories

Continuous Lens (Field Cuttable)



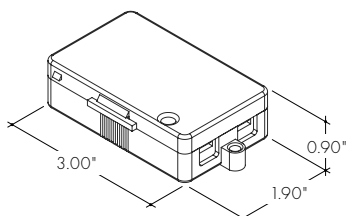
KILOC-FF - Kilo Channel Continuous Frosted Lens
KILOC-CC - Kilo Channel Continuous Clear Lens

XX - Order in 10' increments up to 200'

Note: Order the continuous (field cuttable) lens up to 200'. Recommended to avoid seams between multiple fixtures joining together.

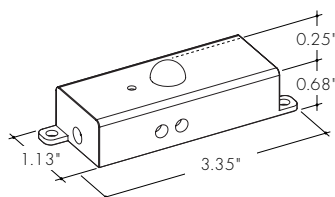
LVSP-4T-BK

Low Voltage, 4 Terminal Splice Box, Black



OS-DC-F4-BK

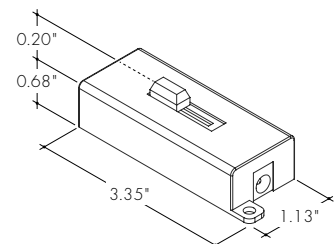
Occupancy Sensor



Male Quick Connect, FMA, LMC, LYC, or IS-DC are required for input and output.

DIM-DC-F4-BK

24VDC Low Voltage In-line Dimmer Module



Male Quick Connect, FMA, LMC, LYC, or IS-DC are required for input and output.

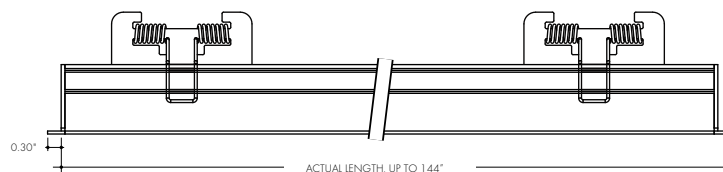
Power Consumption

Tested at Full Power with PS-UNI Series power supplies.

Standard Nominal Lengths offered provide minimal shadowing. For alternate lengths, please consult Inside Sales with specific request.

High Color Quality (2x 72)

Nominal Length (in)	Actual Length	Watts			Nominal Length (in)	Actual Length	Watts			Nominal Length (in)	Actual Length	Watts			Nominal Length (in)	Actual Length	Watts		
		SO	HO	VHO			SO	HO	VHO			SO	HO	VHO			SO	HO	VHO
12	11 5/16	5.1	8.6	11.5	47	46 1/16	20.6	32.9	42.3	82	81 15/16	34.7	53.6	68.8	117	116 11/16	47.3	70.1	88.4
13	12 7/16	5.6	9.4	12.6	48	47 3/16	21.3	33.9	43.4	83	-	-	-	-	118	117 13/16	47.7	70.6	88.8
14	13 10/16	6.2	10.5	14.1	49	48 6/16	21.8	34.6	44.2	84	83 1/16	35.2	54.4	70.7	119	119	48.0	71.0	89.3
15	14 12/16	6.7	11.2	15.0	50	49 8/16	22.2	35.2	45.0	85	84 4/16	35.5	54.9	72.0	120	-	-	-	-
16	15 15/16	7.1	12.0	16.0	51	50 11/16	22.7	36.2	46.3	86	85 6/16	35.9	55.4	72.4	121	120 2/16	48.5	71.7	90.0
17	-	-	-	-	52	51 13/16	23.1	36.8	47.1	87	86 9/16	36.5	56.1	73.1	122	121 5/16	48.7	72.2	90.4
18	17 1/16	7.8	13.1	17.4	53	53	23.5	37.4	48.0	88	87 12/16	36.9	56.6	73.5	123	122 7/16	48.9	72.6	90.8
19	18 4/16	8.2	13.8	18.4	54	-	-	-	-	89	88 14/16	37.3	57.1	74.0	124	123 10/16	49.3	73.3	91.5
20	19 6/16	8.7	14.5	19.3	55	54 2/16	24.1	38.4	49.2	90	-	-	-	-	125	124 12/16	49.5	73.8	91.9
21	20 9/16	9.3	15.6	20.7	56	55 5/16	24.5	39.0	50.0	91	90 1/16	37.7	57.6	74.4	126	125 15/16	49.7	74.3	92.3
22	21 11/16	9.8	16.4	21.7	57	56 7/16	25.0	39.6	50.8	92	91 3/16	38.3	58.4	75.3	127	-	-	-	-
23	22 14/16	10.2	17.1	22.6	58	57 10/16	25.6	40.5	52.0	93	92 6/16	38.7	59.0	76.0	128	127 1/16	50.1	74.8	93.0
24	-	-	-	-	59	58 12/16	26.1	41.1	52.8	94	93 8/16	39.1	59.7	76.7	129	128 4/16	50.4	75.1	93.5
25	24 1/16	10.7	17.8	23.5	60	59 15/16	26.5	41.7	53.6	95	94 11/16	39.8	60.6	77.7	130	129 7/16	50.7	75.4	94.1
26	25 3/16	11.4	18.9	24.9	61	-	-	-	-	96	95 13/16	40.2	61.2	78.4	131	130 9/16	51.1	75.8	94.8
27	26 6/16	11.9	19.7	25.7	62	61 1/16	27.1	42.6	54.7	97	97	40.6	61.7	78.8	132	131 12/16	51.4	76.1	95.3
28	27 8/16	12.3	20.5	26.6	63	62 4/16	27.5	43.1	55.4	98	-	-	-	-	133	132 14/16	51.6	76.4	95.8
29	28 11/16	13.1	21.6	27.8	64	63 6/16	27.9	43.7	56.1	99	98 2/16	41.1	62.3	79.2	134	-	-	-	-
30	29 13/16	13.6	22.4	28.7	65	64 9/16	28.5	44.5	57.1	100	99 5/16	41.4	62.7	79.4	135	134 1/16	51.8	76.7	96.2
31	31	14.0	23.1	29.6	66	65 12/16	28.9	45.0	57.8	101	100 7/16	41.7	63.0	79.6	136	135 3/16	52.1	77.1	96.9
32	-	-	-	-	67	66 14/16	29.3	45.5	58.4	102	101 10/16	42.2	63.6	80.0	137	136 6/16	52.2	77.4	97.3
33	32 2/16	14.7	24.1	31.0	68	-	-	-	-	103	102 12/16	42.6	64.0	80.4	138	137 8/16	52.4	77.7	97.7
34	33 5/16	15.1	24.7	31.9	69	68 1/16	29.6	45.9	59.1	104	103 15/16	43.0	64.5	81.0	139	138 11/16	52.8	78.2	-
35	34 7/16	15.5	25.4	32.8	70	69 3/16	30.2	46.5	60.0	105	-	-	-	-	140	139 13/16	53.3	78.7	-
36	35 10/16	16.2	26.3	34.2	71	70 6/16	30.5	47.0	60.6	106	105 1/16	43.6	65.3	81.9	141	141	53.8	79.1	-
37	36 12/16	16.6	26.9	35.1	72	71 8/16	30.8	47.4	61.3	107	106 4/16	44.0	65.7	82.5	142	-	-	-	-
38	37 15/16	17.1	27.6	35.9	73	72 11/16	31.4	48.1	62.1	108	107 6/16	44.4	66.2	83.1	143	142 2/16	54.5	79.7	-
39	-	-	-	-	74	73 13/16	31.8	48.8	62.5	109	108 9/16	44.9	66.9	84.0	144	143 5/16	54.9	80.2	-
40	39 1/16	17.7	28.5	37.2	75	75	32.1	49.4	62.9	110	109 12/16	45.2	67.3	84.6					
41	40 4/16	18.1	29.2	38.0	76	-	-	-	-	111	110 14/16	45.5	67.7	85.2					
42	41 6/16	18.5	29.8	38.8	77	76 2/16	32.7	50.4	63.5	112	-	-	-	-					
43	42 9/16	19.2	30.8	40.0	78	77 5/16	33.1	51.1	63.9	113	112 1/16	45.8	68.0	85.7					
44	43 12/16	19.6	31.5	40.8	79	78 7/16	33.5	51.7	64.3	114	113 3/16	46.2	68.6	86.6					
45	44 14/16	20.1	32.2	41.5	80	79 10/16	34.0	52.5	66.2	115	114 6/16	46.5	69.0	87.2					
46	-	-	-	-	81	80 12/16	34.3	53.1	67.5	116	115 8/16	46.8	69.5	87.7					



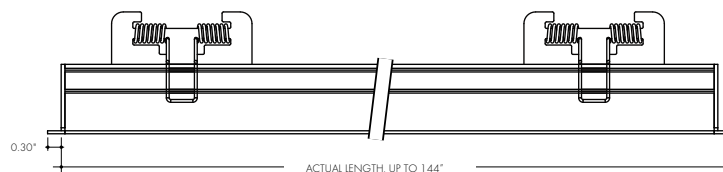
Power Consumption

Tested at Full Power with PS-UNI Series power supplies.

Standard Nominal Lengths offered provide minimal shadowing. For alternate lengths, please consult Inside Sales with specific request.

High Efficacy (2x HE48)

Nominal Length (in)	Actual Length	Watts				Nominal Length (in)	Actual Length	Watts				Nominal Length (in)	Actual Length	Watts				Nominal Length (in)	Actual Length	Watts			
		LO	SO	MO	HO			LO	SO	MO	HO			LO	SO	MO	HO			LO	SO	MO	HO
12	10 11/16	3.0	4.4	5.8	11.7	47	46 2/16	14.0	22.1	26.9	47.0	82	81 9/16	22.4	37.9	47.1	78.1	117	-	-	-	-	
13	12 11/16	3.7	5.4	7.0	14.7	48	-	-	-	-	83	-	-	-	-	-	118	117	34.3	54.2	66.8	90.6	
14	-	-	-	-	-	49	48 2/16	14.4	22.8	27.8	48.4	84	83 9/16	22.7	38.8	48.2	79.0	119	119	35.1	55.1	67.9	91.1
15	14 10/16	4.4	6.4	8.1	16.8	50	-	-	-	-	85	-	-	-	-	-	120	-	-	-	-	-	
16	-	-	-	-	-	51	50 1/16	15.0	23.7	29.0	50.4	86	85 8/16	23.0	39.7	49.3	79.9	121	120 15/16	35.8	56.0	69.0	91.5
17	16 10/16	5.0	7.2	9.0	18.5	52	-	-	-	-	87	-	-	-	-	-	122	-	-	-	-	-	
18	-	-	-	-	-	53	52 1/16	15.6	24.6	30.2	52.3	88	87 8/16	23.2	40.6	50.5	80.8	123	122 15/16	36.4	57.2	69.8	92.1
19	18 9/16	5.7	8.2	10.2	20.6	54	-	-	-	-	89	-	-	-	-	-	124	-	-	-	-	-	
20	-	-	-	-	-	55	54	16.1	25.5	31.3	54.2	90	89 7/16	23.4	41.5	51.6	81.6	125	124 14/16	37.0	58.3	70.6	92.6
21	20 9/16	6.2	9.2	11.4	22.3	56	56	16.7	26.4	32.5	56.1	91	-	-	-	-	-	126	-	-	-	-	-
22	-	-	-	-	-	57	-	-	-	-	92	91 7/16	23.7	42.4	52.8	82.4	127	126 14/16	37.7	59.4	71.4	93.1	
23	22 8/16	6.7	10.2	12.6	23.9	58	57 15/16	17.3	27.3	33.7	57.9	93	-	-	-	-	-	128	-	-	-	-	-
24	-	-	-	-	-	59	-	-	-	-	94	93 6/16	24.3	43.3	54.0	83.0	129	128 13/16	38.3	60.0	72.1	93.2	
25	24 8/16	7.1	11.2	13.9	25.4	60	59 15/16	17.8	28.1	34.9	59.6	95	-	-	-	-	-	130	-	-	-	-	-
26	-	-	-	-	-	61	-	-	-	-	96	95 6/16	24.9	44.3	55.3	83.6	131	130 13/16	38.9	60.7	72.8	93.3	
27	26 7/16	7.7	12.3	15.1	27.4	62	61 14/16	18.3	29.0	36.0	62.1	97	-	-	-	-	-	132	-	-	-	-	-
28	-	-	-	-	-	63	-	-	-	-	98	97 5/16	25.6	45.3	56.5	84.3	133	132 12/16	39.5	61.3	73.5	93.5	
29	28 7/16	8.4	13.5	16.4	29.5	64	63 14/16	18.6	29.9	37.2	65.4	99	-	-	-	-	-	134	-	-	-	-	-
30	-	-	-	-	-	65	-	-	-	-	100	99 5/16	26.6	46.2	57.5	84.9	135	134 12/16	40.1	62.4	74.2	93.8	
31	30 6/16	9.0	14.6	17.6	31.6	66	65 13/16	18.9	30.8	38.3	68.6	101	-	-	-	-	-	136	-	-	-	-	-
32	-	-	-	-	-	67	-	-	-	-	102	101 4/16	27.6	47.2	58.4	85.5	137	136 11/16	40.8	63.4	74.8	94.2	
33	32 6/16	9.7	15.6	18.7	33.7	68	67 13/16	19.3	31.8	39.4	70.7	103	-	-	-	-	-	138	-	-	-	-	-
34	-	-	-	-	-	69	-	-	-	-	104	103 4/16	28.5	48.1	59.4	86.2	139	138 11/16	41.4	64.4	75.4	94.5	
35	34 5/16	10.4	16.5	19.8	35.7	70	69 12/16	19.8	32.8	40.6	71.8	105	-	-	-	-	-	140	-	-	-	-	-
36	-	-	-	-	-	71	-	-	-	-	106	105 3/16	29.1	49.1	60.5	86.8	141	140 10/16	42.0	65.0	76.1	94.1	
37	36 5/16	11.0	17.4	20.8	37.7	72	71 12/16	20.2	33.9	41.7	72.8	107	-	-	-	-	-	142	-	-	-	-	-
38	-	-	-	-	-	73	-	-	-	-	108	107 3/16	29.7	50.1	61.7	87.4	143	142 10/16	42.5	65.4	76.5	93.7	
39	38 4/16	11.6	18.4	22.0	39.6	74	73 11/16	20.7	34.8	42.8	74.0	109	-	-	-	-	-	144	-	-	-	-	-
40	-	-	-	-	-	75	-	-	-	-	110	109 2/16	30.4	51.0	62.8	88.1							
41	40 4/16	12.2	19.4	23.3	41.4	76	75 11/16	21.3	35.6	44.0	75.1	111	-	-	-	-	-						
42	-	-	-	-	-	77	-	-	-	-	112	111 2/16	31.3	51.6	63.6	88.6							
43	42 3/16	12.8	20.3	24.5	43.1	78	77 10/16	21.8	36.4	45.1	76.3	113	-	-	-	-	-						
44	-	-	-	-	-	79	-	-	-	-	114	113 1/16	32.4	52.5	64.7	89.4							
45	44 3/16	13.4	21.3	25.7	45.0	80	79 10/16	22.2	37.1	46.0	77.1	115	-	-	-	-	-						
46	-	-	-	-	-	81	-	-	-	-	116	115 1/16	33.6	53.3	65.8	90.2							



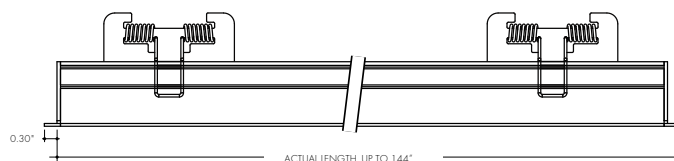
Power Consumption

Tested at Full Power with PS-UNI Series power supplies.

Standard Nominal Lengths offered provide minimal shadowing. For alternate lengths, please consult Inside Sales with specific request.

High Efficacy (2x HE64)

Nominal Length (in)	Actual Length	Watts	Nominal Length (in)	Actual Length	Watts	Nominal Length (in)	Actual Length	Watts
		VHO			VHO			VHO
12	11 8/16	14.5	47	46 5/16	58.2	82	81 2/16	91.5
13	13	16.4	48	47 13/16	60.1	83	82 10/16	92.1
14	–	–	49	–	–	84	–	–
15	14 8/16	18.2	50	49 5/16	62.0	85	84 3/16	92.7
16	–	–	51	50 14/16	63.8	86	85 11/16	93.3
17	16	20.1	52	–	–	87	–	–
18	17 9/16	22.0	53	52 6/16	65.6	88	87 3/16	94.0
19	–	–	54	53 14/16	67.4	89	88 11/16	94.6
20	19 1/16	23.9	55	–	–	90	–	–
21	20 9/16	25.7	56	55 6/16	69.6	91	90 3/16	95.2
22	–	–	57	56 14/16	71.2	92	91 12/16	95.8
23	22 1/16	27.6	58	–	–			
24	23 9/16	29.5	59	58 7/16	72.8			
25	–	–	60	59 15/16	74.4			
26	25 2/16	31.4	61	–	–			
27	26 10/16	33.3	62	61 7/16	75.6			
28	–	–	63	62 15/16	76.8			
29	28 2/16	35.2	64	–	–			
30	29 10/16	37.2	65	64 8/16	78.0			
31	–	–	66	66	79.2			
32	31 3/16	39.1	67	–	–			
33	32 11/16	41.0	68	67 8/16	80.3			
34	–	–	69	–	–			
35	34 3/16	42.9	70	69	81.3			
36	35 11/16	44.9	71	70 8/16	82.4			
37	–	–	72	–	–			
38	37 3/16	46.7	73	72 1/16	83.4			
39	38 12/16	48.6	74	73 9/16	85.1			
40	–	–	75	–	–			
41	40 4/16	50.4	76	75 1/16	86.8			
42	41 12/16	52.3	77	76 9/16	88.5			
43	–	–	78	–	–			
44	43 4/16	54.2	79	78 2/16	90.2			
45	44 13/16	56.2	80	79 10/16	90.8			
46	–	–	81	–	–			



Power Supplies

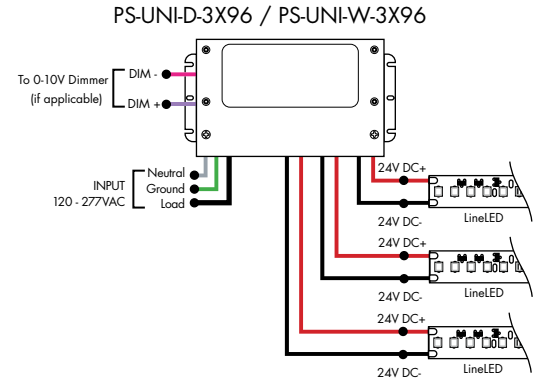
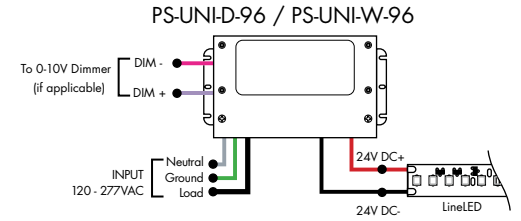
See Power Supply instructions and spec sheet for wiring information. For a complete list of compatible dimmers, see Compatible Dimming Chart on the Resources page.

Ordering Code Universal Dimming Power Supplies 1% 120VAC - 277VAC

MODEL	INPUT CONTROL	ENVIRONMENT	WATTAGE	OUTPUT
PS-Power Supply, 120-277VAC	UNI-0-10V Dimming, Phase Dimming	D-Dry W-Wet	30-30 Watts 60-60 Watts 96-96 Watts 3x96-3x96 Watts	24-24 VDC

Compatibility: View a complete list of compatible dimmers on product page [\(Link\)](#)

0-10V - 1% dimming
MLV/ELV/TRIAC - 1% dimming, consult dimming compatibility chart



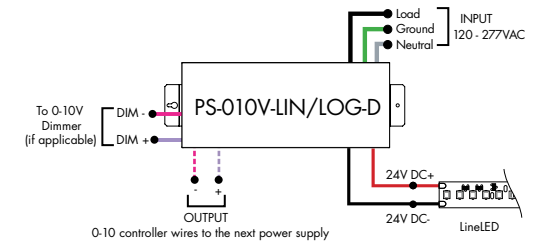
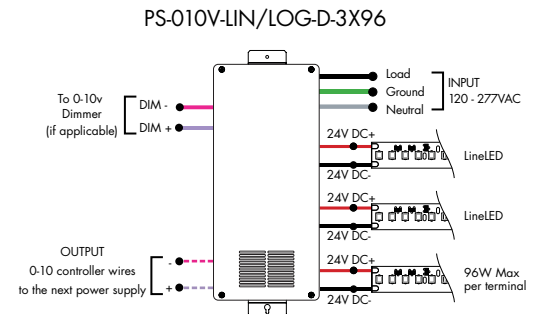
MODELS	PS-UNI-W-30W	PS-UNI-W-60W	PS-UNI-W-96W	PS-UNI-W-3X96W
Length	6.50"	7.40"	8.66"	11.85"
Width	3.73"	3.73"	3.73"	4.32"
Depth	1.61"	1.61"	1.61"	1.81"

MODELS	PS-UNI-D-30W	PS-UNI-D-60W	PS-UNI-D-96W	PS-UNI-D-3X96W
Length	8.77"	8.77"	8.11"	9.94"
Width	4.27"	4.27"	5.60"	7.61"
Depth	1.83"	1.83"	1.83"	2.02"

Ordering Code 0-10V Dimming Power Supplies 0.1% 120VAC - 277VAC

MODEL	INPUT CONTROL	ENVIRONMENT	WATTAGE	OUTPUT
PS-Power Supply, 120-277VAC	010V-LIN-0-10V Dimming (0.1%), Linear 010V-LOG-0-10V Dimming (0.1%), Logarithmic	D-Dry	96-96 Watts 3X96-3x96 Watts	24-24 VDC

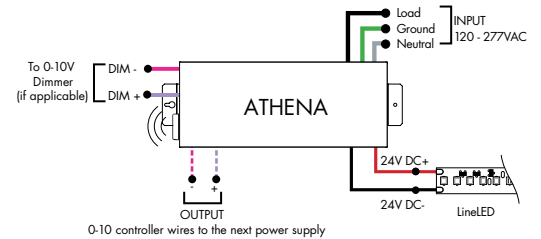
MODELS	96W	3X96
Length	14.40"	15.00"
Width	5.20"	6.62"
Depth	2.60"	4.45"



Athena 0-10V LED Driver

MODEL	INPUT CONTROL	ENVIRONMENT	WATTAGE	OUTPUT	FEATURE
PS-Power Supply, 120-277VAC	010V-LIN-0-10V Dimming, Linear 010V-LOG-0-10V Dimming, Logarithmic	D-Dry	96-96 W	24-24 VDC	AWNR-Athena

MODELS	96W
Length	14.40"
Width	5.20"
Depth	2.60"



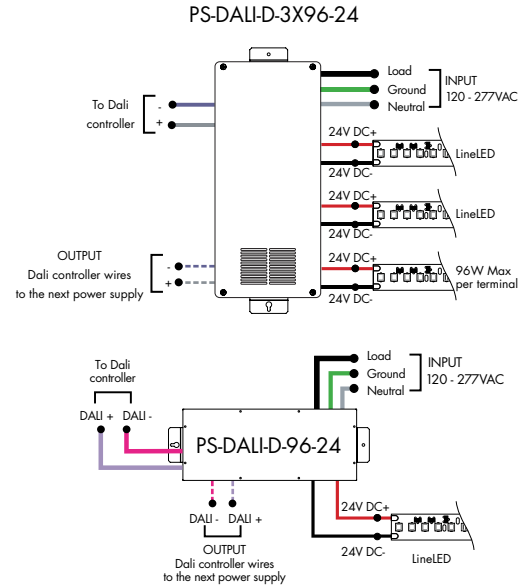
Power Supplies

See Power Supply instructions and spec sheet for wiring information. For a complete list of compatible dimmers, see Compatible Dimming Chart on the Resources page.

Ordering Code DALI Dimming Power Supplies 0.1% 120VAC - 277VAC

MODEL	INPUT CONTROL	ENVIRONMENT	WATTAGE	OUTPUT
PS-Power Supply, 120-277VAC	DALI-DALI (0.1%)	D-Dry	96-96 Watts 3X96-3X96 Watts	24-24 VDC

Model	96W	3X96
Length	14.40"	15.00"
Width	5.20"	6.62"
Depth	2.60"	4.56"

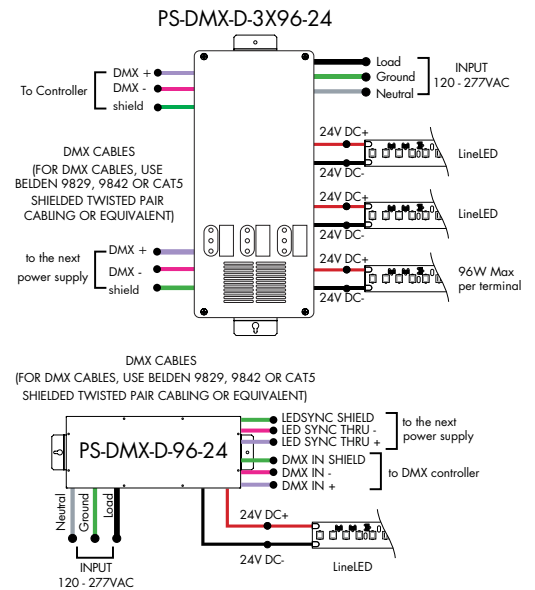


Ordering Code DMX Dimming Power Supplies 0.1% 120VAC - 277VAC Requires Zonal Control

MODEL	INPUT CONTROL	ENVIRONMENT	WATTAGE	OUTPUT
PS-Power Supply, 120-277VAC	DMX-DMX (0.1%)	D-Dry	96-96 Watts 3X96-3X96 Watts	24-24 VDC

*Zonal control power supplies. Control multiple tapes/zones using DMX channels.

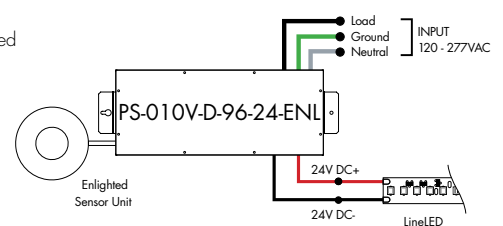
MODELS	96W	3X96
Length	14.40"	15.00"
Width	5.20"	6.62"
Depth	2.60"	4.56"



Ordering Code Enlightened Enabled Dimming Power Supplies 1% 120VAC - 277VAC

MODEL	INPUT CONTROL	ENVIRONMENT	WATTAGE	OUTPUT	FEATURE
PS-Power Supply, 120-277VAC	010V-0-10V Dimming (1%)	D-Dry	96-96 Watts	24-24 VDC	ENL-0-10V Enlightened

Model	96W
Length	14.40"
Width	5.20"
Depth	2.60"

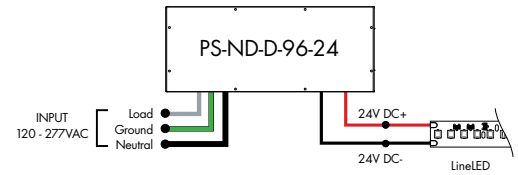


Power Supplies

See Power Supply instructions and spec sheet for wiring information. For a complete list of compatible dimmers, see Compatible Dimming Chart on the Resources page.

Ordering Code Non-Dimming Power Supply 120VAC - 277VAC

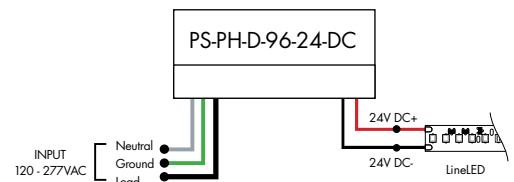
MODEL	INPUT CONTROL	ENVIRONMENT	WATTAGE	OUTPUT
PS - Power Supply, 120-277VAC	ND - Non Dimming	D - Dry	96-96 Watts	24 - 24 VDC



MODELS	96W
Length	14.40"
Width	5.20"
Depth	2.60"

Ordering Code Phase Dimming Power Supply 1% 120VAC - 277VAC

MODEL	INPUT CONTROL	ENVIRONMENT	WATTAGE	OUTPUT	OUTPUT CONTROL
PS - Power Supply, 120-277VAC	PH - Phase Dimming (Triac, ELV, MLV)	D - Dry	96 - 96 Watts	24 - 24 VDC	DC - Direct Current



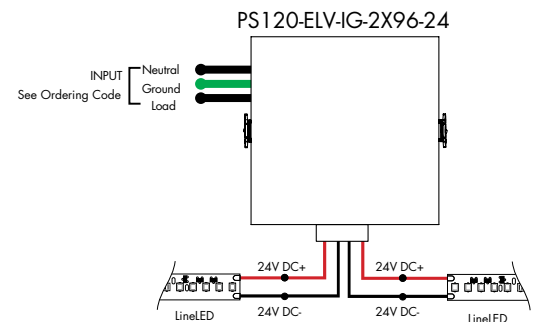
MLV/ELV/TRIAC - 1% dimming, consult dimming compatibility chart ([Link](#))

NOTE:
OVER THE WHITE, GREEN, AND BLACK WIRES,
CONNECT TO ELV OR MLV DIMMER

MODELS	96W
Length	8.25"
Width	4.10"
Depth	1.56"

Ordering Code In-Ground Power Supplies

MODEL	INPUT CONTROL	ENVIRONMENT	WATTAGE	OUTPUT
PS120 - Power Supply, 120VAC PS240 - Power Supply, 240VAC PS277 - Power Supply, 277VAC	ELV - ELV Dimming (1%)	IG - In Ground	2X96 - 2X96 Watts	24 - 24 VDC



MODELS	2X96W
Length	8.40"
Width	8.30"
Depth	8.10"

Power Supplies

See Power Supply instructions and spec sheet for wiring information. For a complete list of compatible dimmers, see Compatible Dimming Chart on the Resources page.



Luminii is a Lutron OEM Advantage Partner

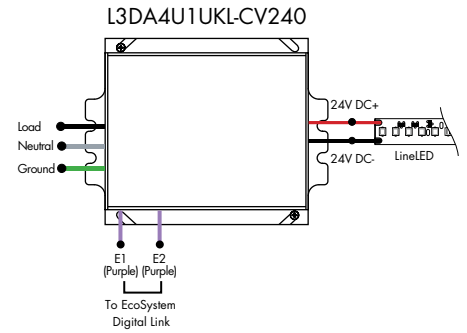
Lutron Power Supplies 1%

MODEL

L3DA4U1UKL-CV240

HiLume™ 1% EcoSystem Voltage LED driver
40W max

MODELS	L3DA4U1UKL-CV240
Length	4.98"
Width	4.00"
Depth	2.62"



Luminii is a Lutron OEM Advantage Partner

Lutron Power Supplies 0.1%

MODEL

L3D0-96W24V-U

HiLume™ 0.1% EcoSystem Voltage LED Driver with Soft-On, Fade-to-Black™
96W max

MODELS	L3D0
Length	10.50"
Width	5.50"
Depth	2.00"

