

Kilo Recessed & Kilo Recessed Corners - Installation Instructions

Models KR-, & KRC



7777 Merrimac Ave
Niles, IL 60714
T 224.333.6033
F 224.757.7557
info@luminii.com
www.luminii.com

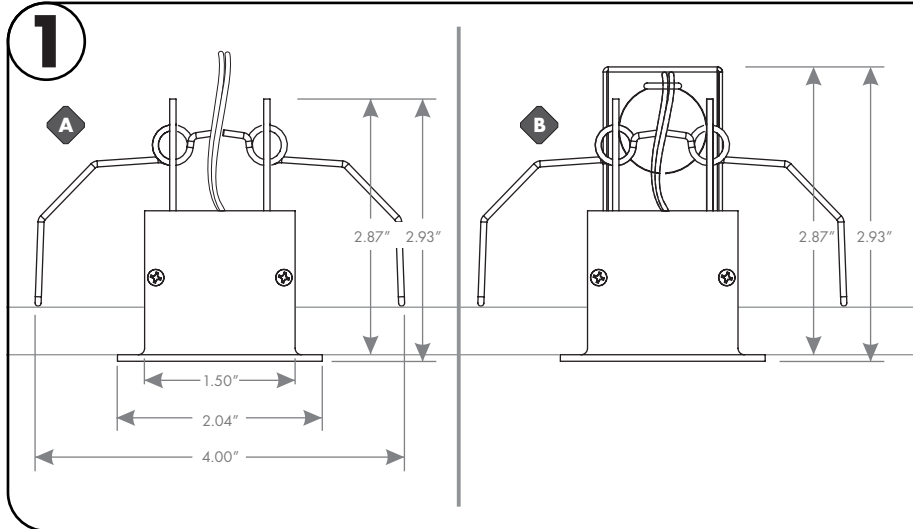
Please read all instructions prior to installation and keep for future reference!

1. PRODUCT TO BE INSTALLED BY A QUALIFIED ELECTRICIAN.
2. USE WITH COMPATIBLE CLASS 2 OR CLASS P POWER UNIT
3. 24 VOLTS DC
4. SUITABLE FOR DAMP LOCATIONS
5. SUITABLE FOR INSTALLATION WITHIN THE CLOSET STORAGE SPACE.
6. ACCESS ABOVE CEILING REQUIRED
7. TYPE IC (CEILING & WALL)
8. INHERENTLY PROTECTED
9. FIXTURE SHOULD BE INSTALLED BY TWO PEOPLE.

PLENUM FOR SUCH USE IN ACCORDANCE WITH UL2043

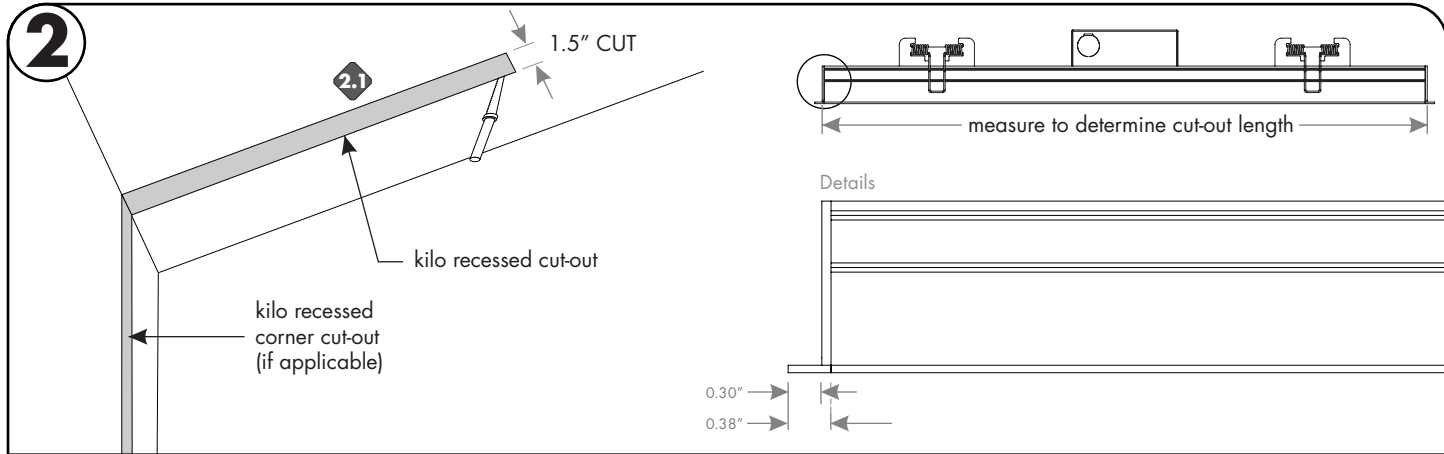
REVO.7
10082024

1 / 5

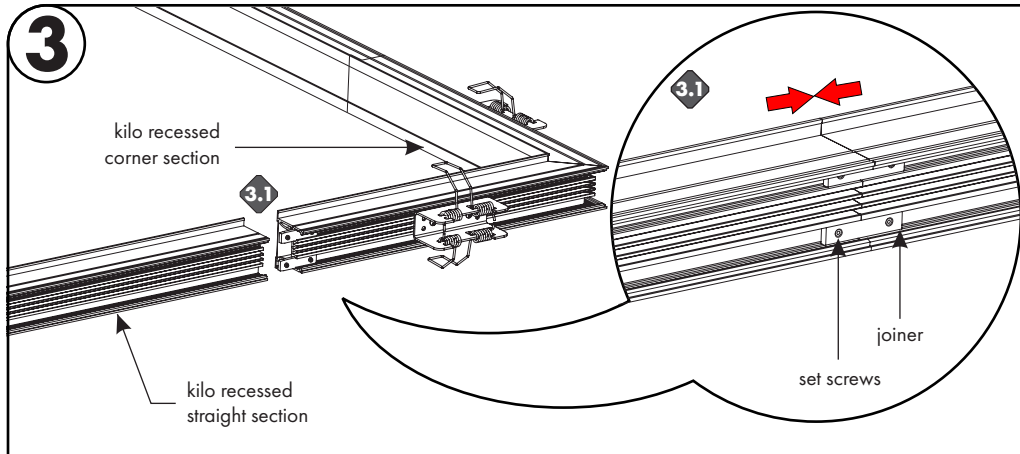


Option A: If the Kilo Recessed LED lead wires will be connected to 24VDC power wires in a remote junction box.

Option B: If the Kilo Recessed LED lead wires will be connected to 24VDC power wires inside provided junction box on top of Kilo Recessed.



2.1 Determine the location of the installation. Measure the fixture(s) length (excluding the flanges on the ends of the endcap), and then cut a 1.5" wide cut-out all along the desired location. Mounting brackets should be 4" from each end of the fixture(s) and also every 24" in between.



3.1 If joining sections together as a system align the joiners to the corresponding section end. Followed by inserting then tightening the setscrews to secure.

3.2 Determine the location of the installation. Measure the fixture(s) length (excluding the flanges on the ends of fixtures), and then cut a 1.5" wide cut-out all along the desired location.

Kilo Recessed & Kilo Recessed Corners - Installation Instructions

Models KR-, & KRC



7777 Merrimac Ave
Niles, IL 60714
T 224.333.6033
F 224.757.7557
info@luminii.com
www.luminii.com

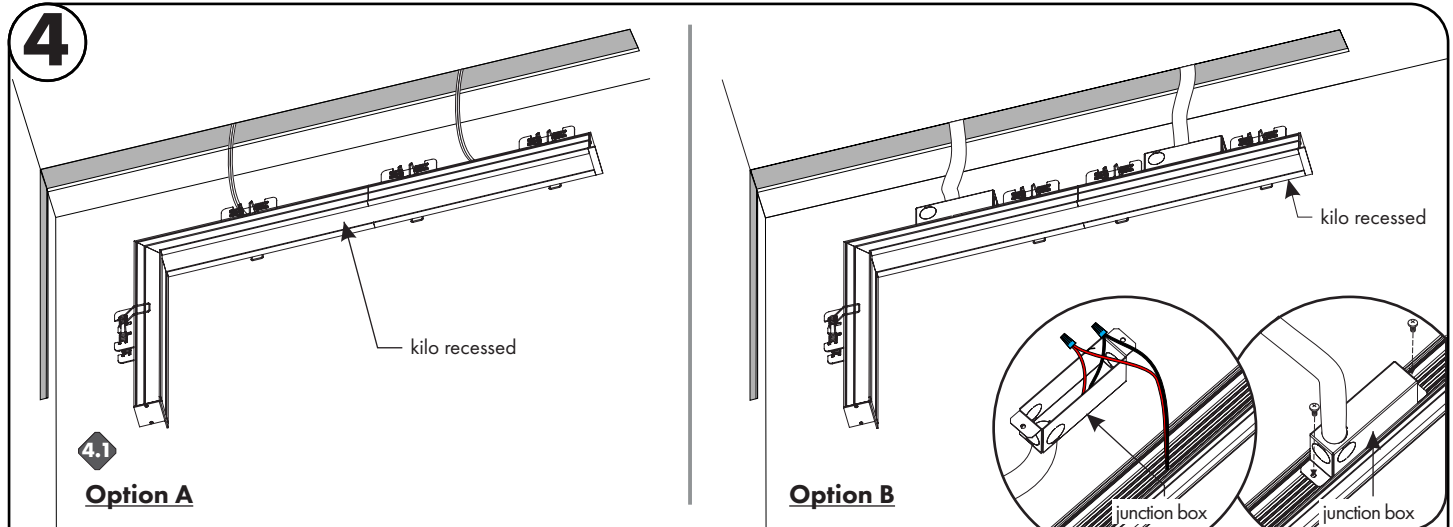
Please read all instructions prior to installation and keep for future reference!

1. PRODUCT TO BE INSTALLED BY A QUALIFIED ELECTRICIAN.
2. USE WITH COMPATIBLE CLASS 2 OR CLASS P POWER UNIT
3. 24 VOLTS DC
4. SUITABLE FOR DAMP LOCATIONS
5. SUITABLE FOR INSTALLATION WITHIN THE CLOSET STORAGE SPACE.
6. ACCESS ABOVE CEILING REQUIRED
7. TYPE IC (CEILING & WALL)
8. INHERENTLY PROTECTED
9. FIXTURE SHOULD BE INSTALLED BY TWO PEOPLE.

PLENUM FOR SUCH USE IN ACCORDANCE WITH UL2043

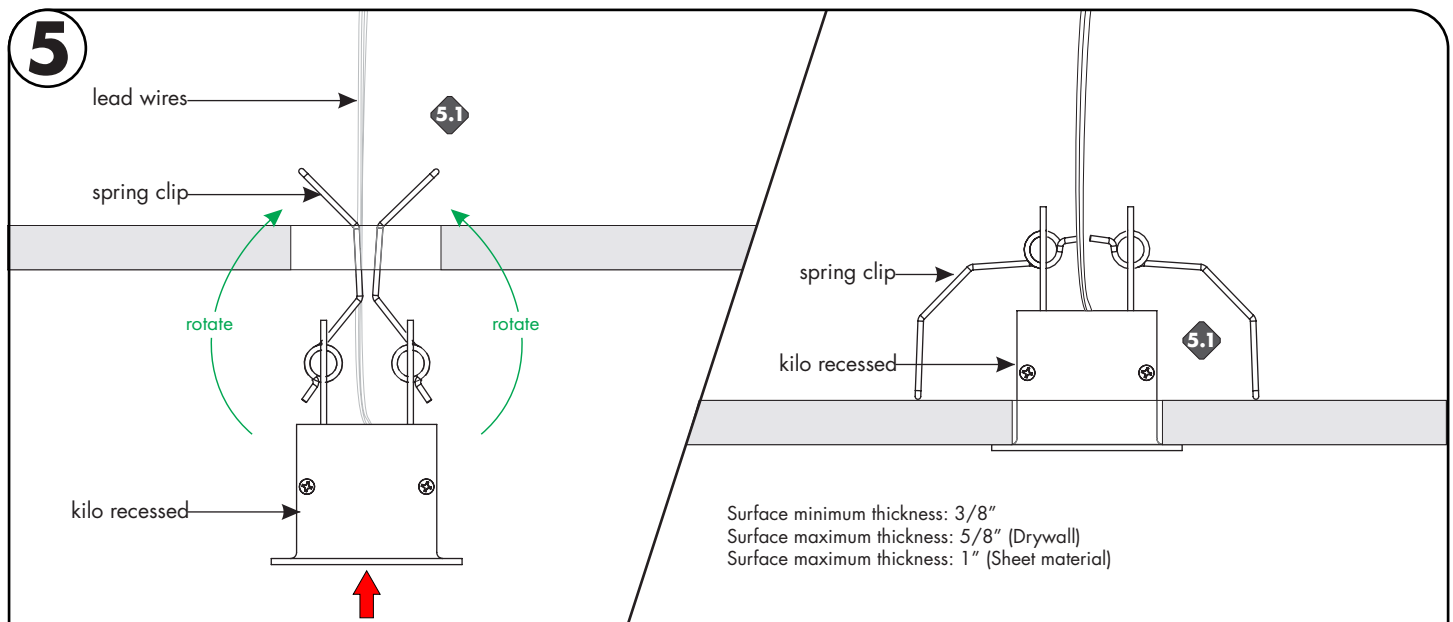
REVO.7
10082024

2 / 5



Option A: Run the fixture(s) lead wire to the remote power supply. Refer to page 3 for wiring.

Option B: Connect the 24VDC power wires to the Kilo Recessed LED wires inside the nearest junction box Refer to step 7 for wiring. Once wires are secure, attach the junction box to the back of Kilo Recessed with the provided screws, make sure all wires & connection are inside junction box.



Surface minimum thickness: 3/8"
Surface maximum thickness: 5/8" (Drywall)
Surface maximum thickness: 1" (Sheet material)

5.1 Rotate the fixture spring clips into the top position, to allow fixture to slide through the cutout slot. Followed by carefully releasing spring clips and push the fixture completely into the slot. *If necessary make any surface or paint imperfection prior to installation.*

Kilo Recessed & Kilo Recessed Corners - Installation Instructions

Models KR-, & KRC



7777 Merrimac Ave
Niles, IL 60714
T 224.333.6033
F 224.757.7557
info@luminii.com
www.luminii.com

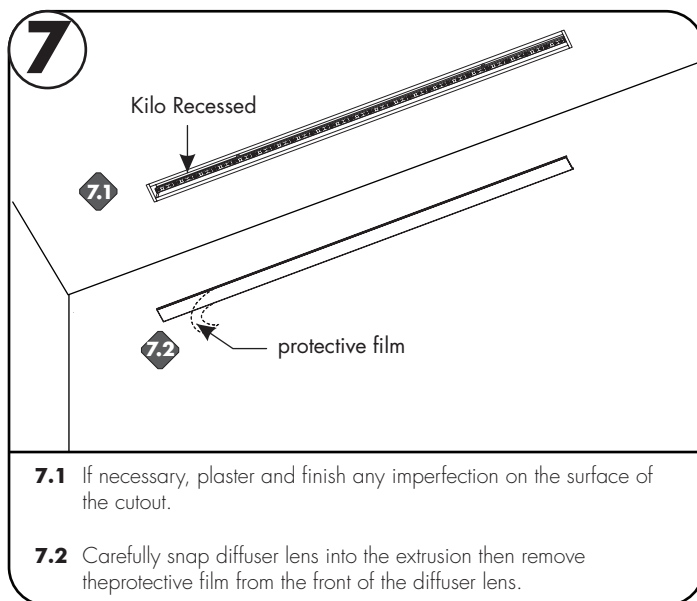
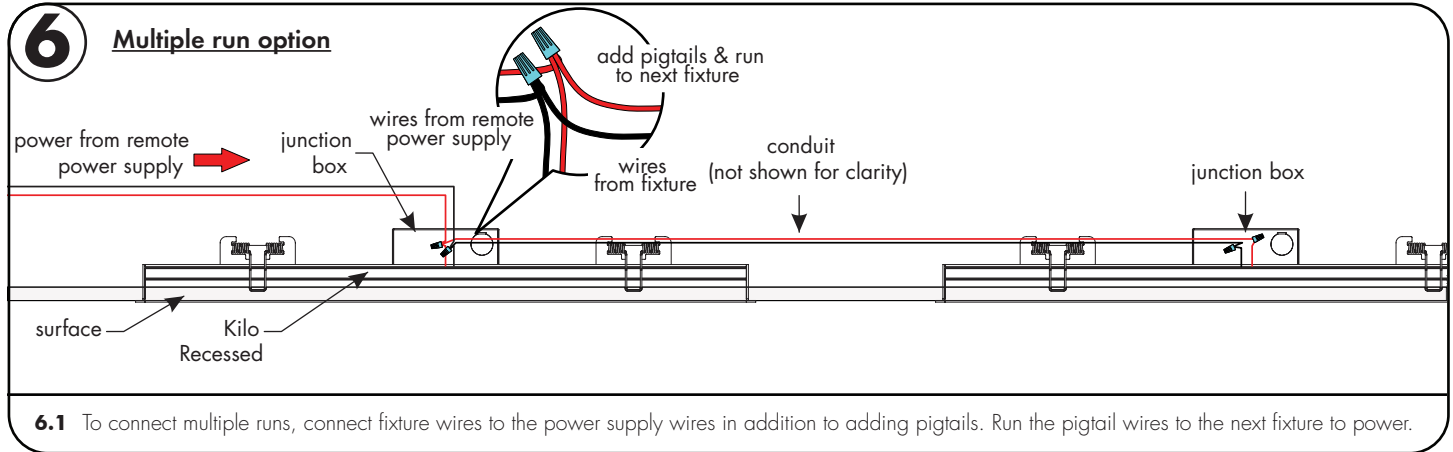
Please read all instructions prior to installation and keep for future reference!

1. PRODUCT TO BE INSTALLED BY A QUALIFIED ELECTRICIAN.
2. USE WITH COMPATIBLE CLASS 2 OR CLASS P POWER UNIT
3. 24 VOLTS DC
4. SUITABLE FOR DAMP LOCATIONS
5. SUITABLE FOR INSTALLATION WITHIN THE CLOSET STORAGE SPACE.
6. ACCESS ABOVE CEILING REQUIRED
7. TYPE IC (CEILING & WALL)
8. INHERENTLY PROTECTED
9. FIXTURE SHOULD BE INSTALLED BY TWO PEOPLE.

PLENUM FOR SUCH USE IN ACCORDANCE WITH UL2043

REV.0.7
10082024

3 / 5



Kilo Recessed & Kilo Recessed Corners - Installation Instructions

Models KR-, & KRC



7777 Merrimac Ave
Niles, IL 60714
T 224.333.6033
F 224.757.7557
info@luminii.com
www.luminii.com

Please read all instructions prior to installation and keep for future reference!

1. PRODUCT TO BE INSTALLED BY A QUALIFIED ELECTRICIAN.
2. USE WITH COMPATIBLE CLASS 2 OR CLASS P POWER UNIT
3. 24 VOLTS DC
4. SUITABLE FOR DAMP LOCATIONS
5. SUITABLE FOR INSTALLATION WITHIN THE CLOSET STORAGE SPACE.
6. ACCESS ABOVE CEILING REQUIRED
7. TYPE IC (CEILING & WALL)
8. INHERENTLY PROTECTED
9. FIXTURE SHOULD BE INSTALLED BY TWO PEOPLE.

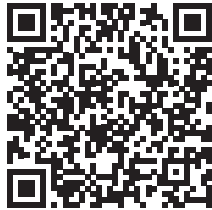
PLENUM FOR SUCH USE IN ACCORDANCE WITH UL2043

REVO.7
10082024

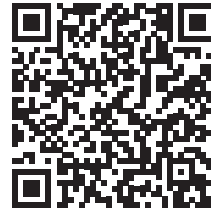
4 / 5

Power Supply Wiring Diagram

Note: Prior to installation all 24VDC wires must be present near fixture. Refer to the power supply installation instructions for additional information.



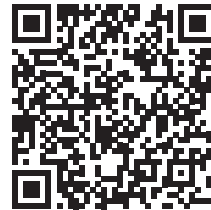
Static White
Wiring Diagram PDF



RGB/RGBW
Wiring Diagram PDF



Warm Dim
Wiring Diagram PDF



Pixel
Wiring Diagram PDF



Tunable White
Wiring Diagram PDF

Kilo Recessed & Kilo Recessed Corners - Installation Instructions

Models KR-, & KRC



7777 Merrimac Ave
Niles, IL 60714
T 224.333.6033
F 224.757.7557
info@luminii.com
www.luminii.com

Please read all instructions prior to installation and keep for future reference!

1. PRODUCT TO BE INSTALLED BY A QUALIFIED ELECTRICIAN.
2. USE WITH COMPATIBLE CLASS 2 OR CLASS P POWER UNIT
3. 24 VOLTS DC
4. SUITABLE FOR DAMP LOCATIONS
5. SUITABLE FOR INSTALLATION WITHIN THE CLOSET STORAGE SPACE.
6. ACCESS ABOVE CEILING REQUIRED
7. TYPE IC (CEILING & WALL)
8. INHERENTLY PROTECTED
9. FIXTURE SHOULD BE INSTALLED BY TWO PEOPLE.

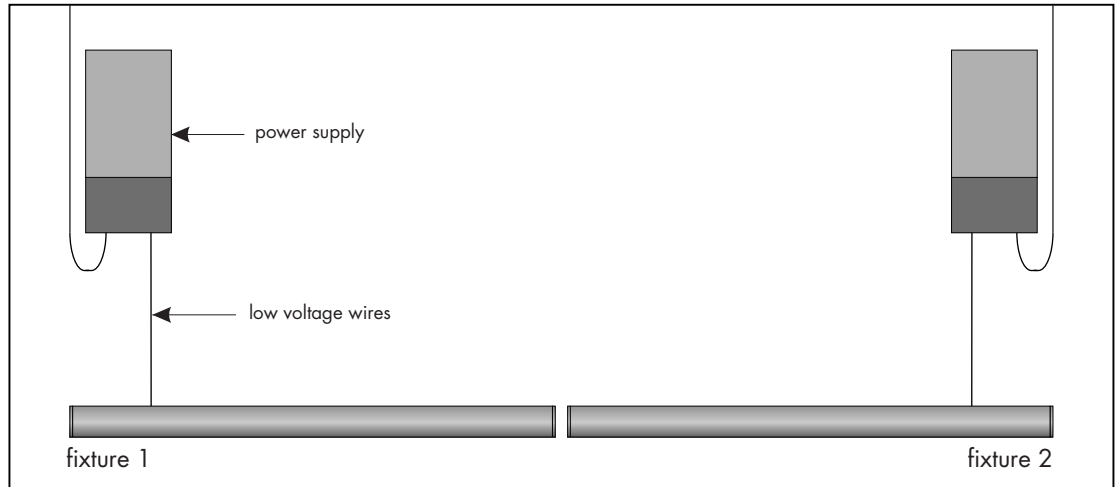
PLENUM FOR SUCH USE IN ACCORDANCE WITH UL2043

REV0.7
10082024

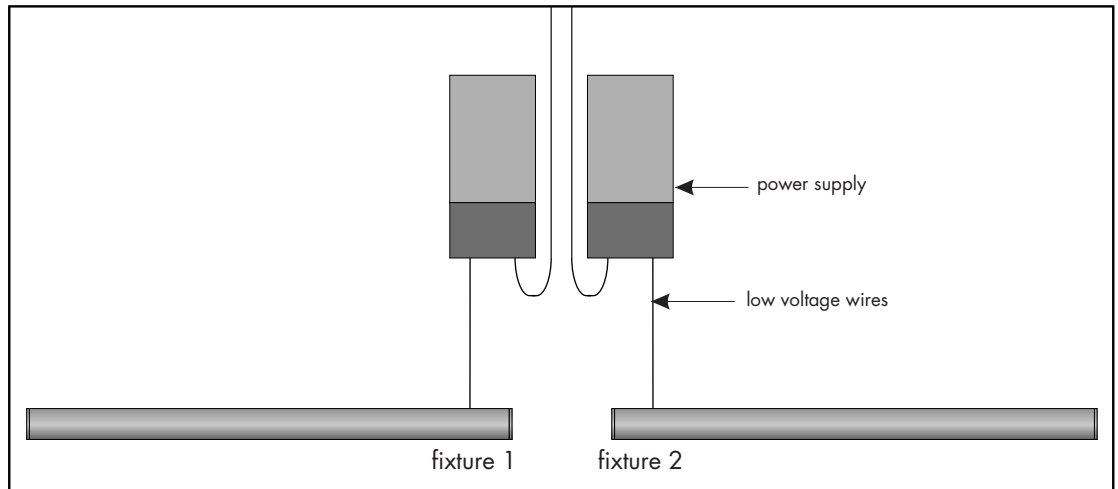
5 / 5

Multiple powerfeed layouts

power supplies at the end of the run



power supplies in the middle of the run



consecutive layout, NOT RECOMMENDED

