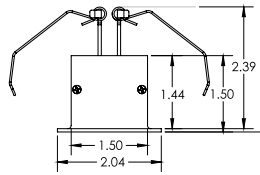
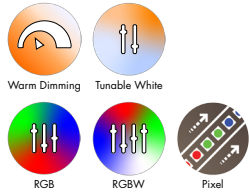


**Features**

- 24VDC Class 2 fixtures made to order up to 144". Fixtures can be linked up to 16' depending on output
- Available with plenum rated wire leads or with integral junction box for splice connection.
- Separate lens orderable up to 200' for continuous run options.
- Dot free even illumination with frosted lens
- Class two listed for damp locations
- Proprietary strong bond solder method handles up to 50 lbs of pull force on wire leads and connectors
- Tunable White allows individual control of CCT and output, can be paired with Vintage Dim power supply for warm dim effect
- Warm Dim follows the incandescent dimming curve and is compatible with MLV, ELV, and Incandescent dimmers.
- RGB offers balanced output across the color gamut and a true white with RGBW
- Smart Pixel allows for infinite color combinations with cascading and chasing effects
- Average Life (L70): 50,000hrs
- 7 year warranty



**Finish Options** (see page 3 for additional information)

Base	<input type="checkbox"/> Silver Anodized
Powder Coat	<input type="checkbox"/> Black <input type="checkbox"/> Bronze <input type="checkbox"/> White
Premium	<input type="checkbox"/> Matte Black <input type="checkbox"/> Warm Nickel <input type="checkbox"/> Aged Brass <input type="checkbox"/> Polished Gold <input type="checkbox"/> Chrome



**Technical Information**

TYPE	Warm Dim	Tunable White		RGBW		RGB		Pixel	
OUTPUT OPTIONS	2x WD68SO (19K-27K)	2x TW68SO (27K-65K)	2x TW68HO (27K-65K)	2x RGBW36SO	2x RGBW36HO	2x RGB42SO	2x RGB42HO	2x RGBWX18SO	2x RGBX18SO
Lumens Output (all channels full on) (with a Frosted Lens)	522 lm/ft	633 lm/ft	760 lm/ft	318 lm/ft	526 lm/ft	315 lm/ft	463 lm/ft	384 lm/ft	253 lm/ft
Average Power Consumption (for a 4' section)	10.8 W/ft	9.2 W/ft	11.2 W/ft	8 W/ft	15.2 W/ft	9 W/ft	16.6 W/ft	11.4 W/ft	9 W/ft
Efficacy	48 lm/W	69 lm/W	68 lm/W	40 lm/W	35 lm/W	35 lm/W	28 lm/W	34 lm/W	28 lm/W
Max Run Length (in series)	10 ft	16 ft	16 ft	13 ft	6.5 ft	14 ft	7 ft	10 ft	15 ft
Ambient Operating Temperature Range*	-5°F - 105°F (-20°C - 40°C)	-5°F - 115°F (-20°C - 45°C)	-5°F - 105°F (-20°C - 40°C)	-5°F - 105°F (-20°C - 40°C)	-5°F - 95°F (-20°C - 35°C)	-5°F - 105°F (-20°C - 40°C)	-5°F - 90°F (-20°C - 30°C)	-5°F - 125°F (-20°C - 50°C)	
Control/Dimming Protocol	MLV, ELV, Inc.	0-10V, DMX		DMX				SPI Protocol UCS 2904	SPI Protocol UCS 2903

\*Ambient Operating Temperature Range to maintain L70 of 50k+ hours in normal mounting conditions for the fixture. Exceeding Ambient Operating Temperature Range may result in decreased life/output. Consult Technical Support for specific inquiries.

Warm Dim (WD68)					Tunable White (TW68)					RGBW (3000K)				Dominant Wavelength			
CCT	TM-30				CCT	TM-30				Tape	TM-30			Color	RGB42/RGBW36		RGBX18/RGBWX18
	CRI	R <sub>f</sub>	R <sub>g</sub>	R <sub>9</sub>		CRI	R <sub>f</sub>	R <sub>g</sub>	R <sub>9</sub>		CRI	R <sub>f</sub>	R <sub>g</sub>		R <sub>9</sub>	Red	Green
1900K	96	92	96	94	1900K	97	94	98	95	RGBW36	95	93	106	84	620nm	621nm	
2700K	96	93	106	95	2700K	98	96	101	91	RGBWX18	93	91	99	64	525nm	519nm	
					2900K	98	96	102	94	TW68							
					3500K	97	94	105	97	CCT	Multiplier						
					4400K	97	91	101	97	27K - 65K	1.00						
					6500K	92	88	97	64	19K - 35K	0.78						

**Ordering Code**

MODEL	LENGTH <sup>1</sup>	OUTPUT <sup>2</sup>	CCT	LENS <sup>3</sup>	FINISH <sup>4</sup>	LEFT END CAP (A)	RIGHT END CAP (B)	POWER FEED LEFT END <sup>5</sup>	POWER FEED RIGHT END <sup>5</sup>
KR - Kilo Recessed	12"-144" 3" increments	WD68SO - Standard	19K27K - 1900K- 2700K	F - Frosted C - Clear N - No Lens	BASE SA - Silver Anodized	LE - Endcap Left End LN - No Endcap Left End	RE - Endcap Right End RN - No Endcap Right End	PLENUM WIRE LEADS LPB - Back Wire Leads	PLENUM WIRE LEADS RNPF - No Power Feed
	12"-144" 3" increments	TW68SO - Standard TW68HO - High	19K35K - 1900K- 3500K 27K65K - 2700K- 6500K		POWDER COAT BK - Black BZ - Bronze WH - White			LNPF - No Power Feed	RPB - Back Wire Leads
	12"-144" 2" increments	RGBW36SO - Standard RGBW36HO - High RGB42SO - Standard RGB42HO - High	CLR - Color		PREMIUM MBK - Matte Black WN - Warm Nickel AB - Aged Brass PG - Polished Gold <sup>5</sup> CH - Chrome <sup>5</sup>			JUNCTION BOX LJB - Junction Box Left	JUNCTION BOX RNPF - No Power Feed
	12"-144" 4" increments	RGBWX18SO - Standard RGBX18SO - Standard	PXSPI - Smart Pixel Control					LNPF - No Power Feed	RJB - Junction Box Right

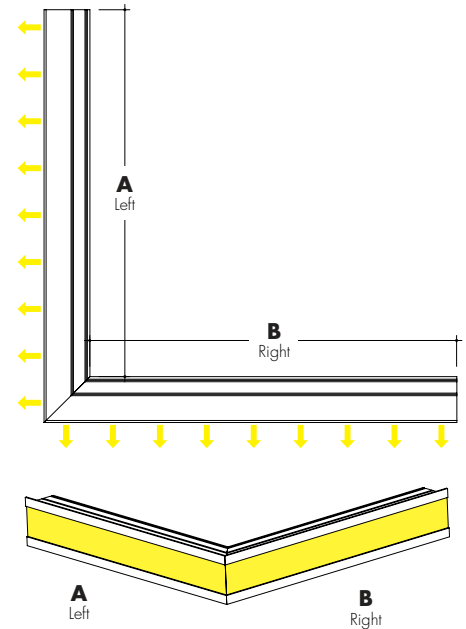
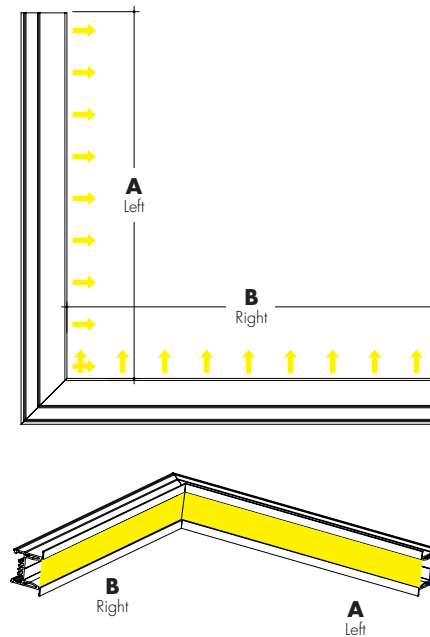
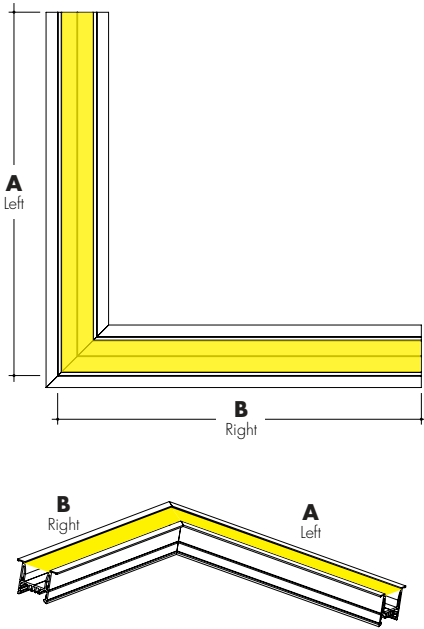
1 - Custom lengths and increments are available, please consult Inside Sales with specific request.  
 2 - Warm Dim and Tunable White options can be used to comply with Title 24 JAB at max brightness depending on lens selection, see multiplier charts to calculate specific efficacy.  
 3 - Continuous Lens may be ordered separately for multi-fixture runs to create an even, seamless appearance.  
 4 - Non Base finishes may have extended lead times. Custom RALs are available, please consult Inside Sales with specific request.  
 5 - Polished Gold finishes and Chrome finishes have a maximum fixture length of 96".  
 6 - Wire leads are plenum rated and 72" long. Junction Box comes with 24" non-plenum rated wire.  
 7 - NOTE: Each Kilo Recesses fixture/section requires it's own home run to a power supply. They cannot be electrically connected together

**Kilo Recessed Corner Options**

**K-FC**  
Flat Corner

**K-IC**  
Inner Corner

**K-OC**  
Outside Corner



Dimensions measured for the length of recessed needed

Dimensions measured for the length of the outer (longer) length of the recessed needed

Dimensions measured for the length of recessed needed

Tunable White	Actual Length		Total Wattage	
	A	B	TW68SO	TW68HO
<b>Corner Type</b>				
Flat (KR-FC)	11 8/16	10 5/16	17.2	21.7
Outer (KR-OC)	10 14/16	10 14/16	17.2	21.7
Inner (KR-IC)	9 1/16	9 1/16	17.2	21.7

Warm Dimming	Actual Length		Total Wattage
	A	B	WD68SO
<b>Corner Type</b>			
Flat (KR-FC)	11 8/16	10 5/16	20.3
Outer (KR-OC)	10 14/16	10 14/16	20.3
Inner (KR-IC)	9 1/16	9 1/16	20.3

RGB/RGBW/PIXEL	Actual Length				Total Wattage					
	A	B	RGBW36SO	RGBW36HO	RGB42SO	RGB42HO	A	B	RGBX18SO	RGBWX18SO
<b>Corner Type</b>										
Flat (KR-FC)	13 8/16	12 7/16	13.8	26.3	16.0	29.9	13 8/16	12 7/16	18.3	14.6
Outer (KR-OC)	12 13/16	12 13/16	13.8	26.3	16.0	29.9	12 13/16	12 13/16	18.3	14.6
Inner (KR-IC)	11 1/16	11 1/16	13.8	26.3	16.0	29.9	11 1/16	11 1/16	18.3	14.6

**Ordering Code**

MODEL	CORNER	ANGLE	OUTPUT <sup>2</sup>	CCT	LENS <sup>3</sup>	FINISH <sup>4</sup>	LEFT END CAP (A)	RIGHT END CAP (B)	POWER FEED LEFT END <sup>5</sup>	POWER FEED RIGHT END <sup>5</sup>
KR - Kilo Recessed	IC - Inner Corner OC - Outer Corner FC - Flat Corner	90° - 90° Corner C - Custom Angle Corner <sup>1</sup>	WD68SO - Standard TW68SO - Standard TW68HO - High RGBW36SO - Standard RGBW36HO - High RGB42SO - Standard RGB42HO - High RGBWX18SO - Standard RGBX18SO - Standard	19K27K - 1900K-2700K 19K35K - 1900K-3500K 27K65K - 2700K-6500K CLR - Color PXSP1 - Smart Pixel Control	F - Frosted C - Clear N - No Lens	BASE SA - Silver Anodized POWDER COAT BK - Black BZ - Bronze WH - White PREMIUM MBK - Matte Black WN - Warm Nickel AB - Aged Brass PG - Polished Gold CH - Chrome	LE - Endcap Left End LN - No Endcap Left End	RE - Endcap Right End RN - No Endcap Right End	PLENUM WIRE LEADS LPB - Back Wire Leads LNPF - No Power Feed	PLENUM WIRE LEADS RNPF - No Power Feed RPB - Back Wire Leads JUNCTION BOX LJB - Junction Box Left RNPF - No Power Feed RJB - Junction Box Right

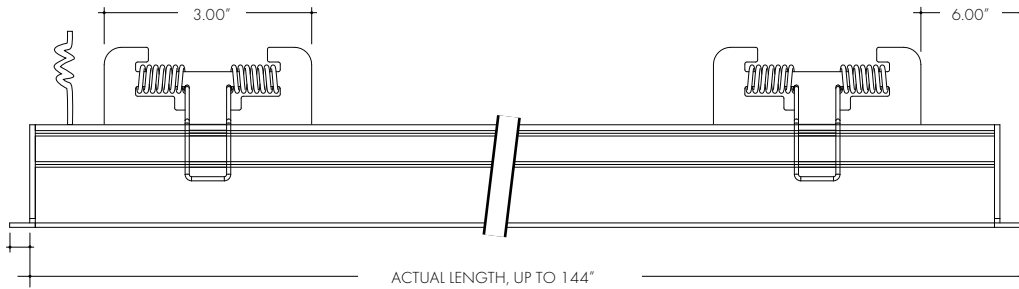
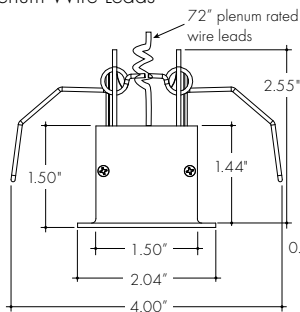
1 - Custom lengths and increments are available, please consult Inside Sales with specific request.  
2 - Warm Dim and Tunable White options can be used to comply with Title 24 JAB at max brightness depending on lens selection, see multiplier charts to calculate specific efficacy.  
3 - Continuous Lens may be ordered separately for multifixture runs to create an even, seamless appearance.

4 - Non Base finishes may have extended lead times. Custom RALs are available, please consult Inside Sales with specific request.  
5 - Wire leads are plenum rated and 72" long. Junction Box comes with 24" non-plenum rated wire.  
6 - NOTE: Each Kilo Recesses fixture/section requires it's own home run to a power supply. They cannot be electrically connected together

**Product Dimensions**

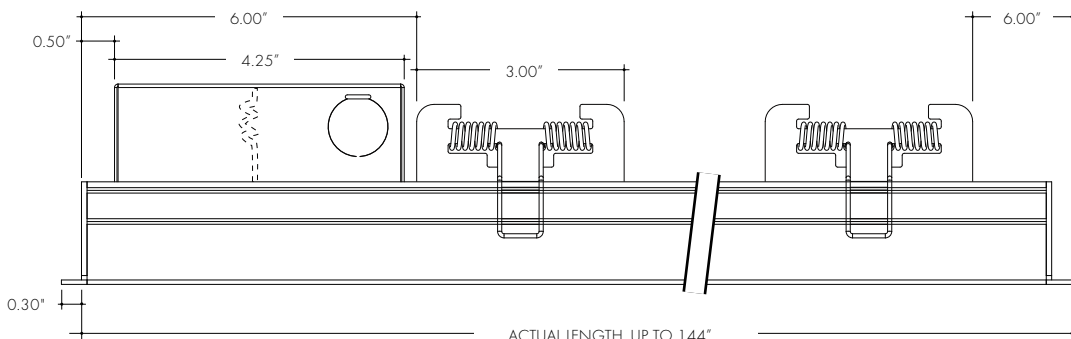
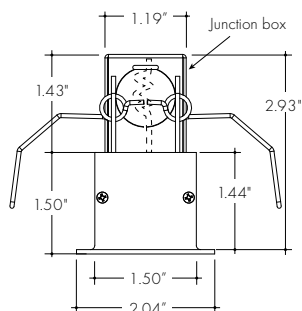
**KR-XX-LPB**

Kilo Plenum Wire Leads



**KR-XX-LJB**

Kilo Junction Box



**Finish Options**

- Finish options are available in a wide variety, allowing for complete customization of style and aesthetic.
- Non Base finishes may have extended lead times and price adder.
- Polished Gold and Chrome finishes have a maximum fixture length of 96".
- Custom RALs are available, please consult Inside Sales with specific request.

**Silver Anodized Base**



Silver Anodized is a soft silver with a clear finish.

**Black Powder Coat**



Black is a true deep black with a glossy finish.

**Bronze Powder Coat**



Bronze is a rich, dark brown with a satin finish.

**White Powder Coat**



White is a polar bright white and field paintable.

**Matte Black Premium**



Matte Black is a dark, pitch-black with a soft flat finish.

**Warm Nickel Premium**



Warm Nickel is a soft, silvery smoke with warm tones and a satin finish.

**Aged Brass Premium**



Aged Brass is a deep brown shade with slightly golden undertones.

**Polished Gold Premium**



Polished Gold is bright and radiant for a brilliant finish.

**Chrome Premium**



Chrome is a highly reflective silver polish.

**Powerfeed options for Straight Fixtures**

**KR-XX-LPB-RNPF**

Wire leads, plenum rated CL3R cable on left end of Straight Fixture



**KR-XX-LNPF-RPB**

Wire leads, plenum rated CL3R cable on right end of Straight Fixture



**KR-XX-LJB-RNPF**

One integrated junction box on left end of Straight fixture



**KR-XX-LNPF-RJB**

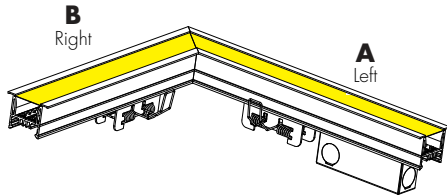
One integrated junction box on right end of Straight fixture



**Powerfeed options for Corner Fixtures**

**KR-FC-90-XX-LJB-RNPF**

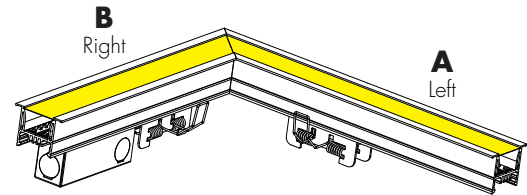
One integrated junction box on left end of Flat Corner fixture



Note: Plenum wires are not shown, but they would be on the same end as the junction box

**KR-FC-90-XX-LNPF-RJB**

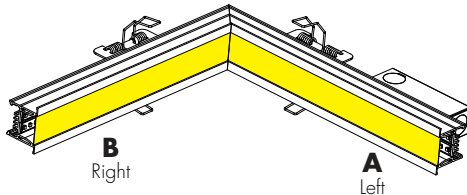
One integrated junction box on right end of Flat Corner fixture



Note: Plenum wires are not shown, but they would be on the same end as the junction box

**KR-IC-90-XX-LJB-RNPF**

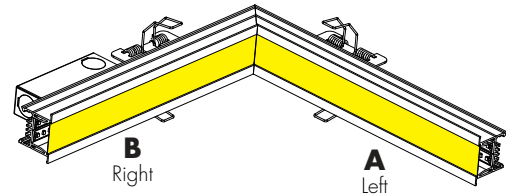
One integrated junction box on left end of Inside Corner fixture



Note: Plenum wires are not shown, but they would be on the same end as the junction box

**KR-IC-90-XX-LNPF-RJB**

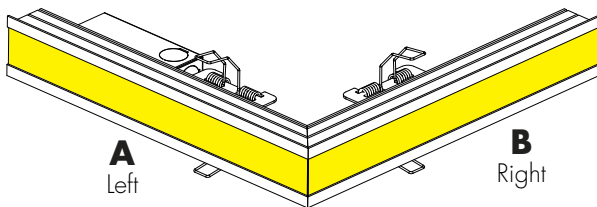
One integrated junction box on right end of Inside Corner fixture



Note: Plenum wires are not shown, but they would be on the same end as the junction box

**KR-OC-90-XX-LJB-RNPF**

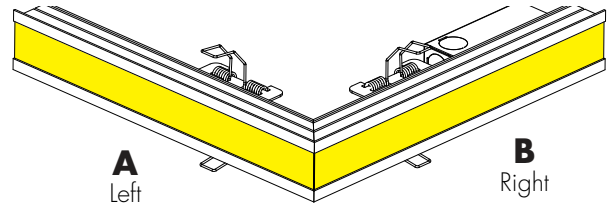
One integrated junction box on left end of Outside Corner fixture



Note: Plenum wires are not shown, but they would be on the same end as the junction box

**KR-OC-90-XX-LNPF-RJB**

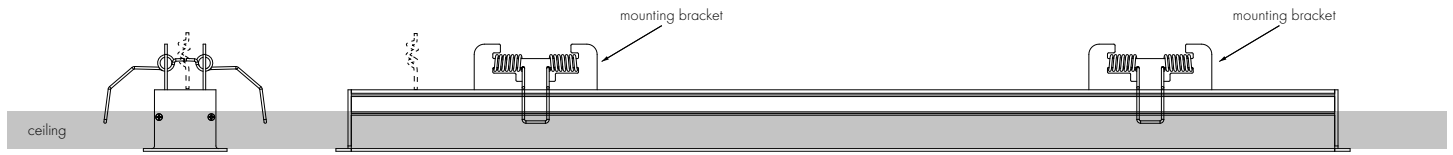
One integrated junction box on right end of Outside Corner fixture



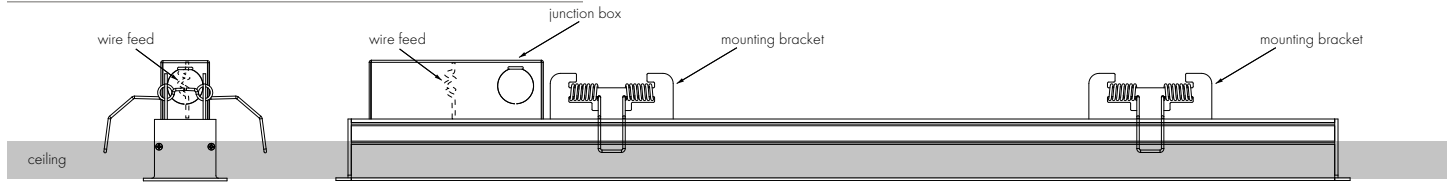
Note: Plenum wires are not shown, but they would be on the same end as the junction box

Sample Layout of Power Feed

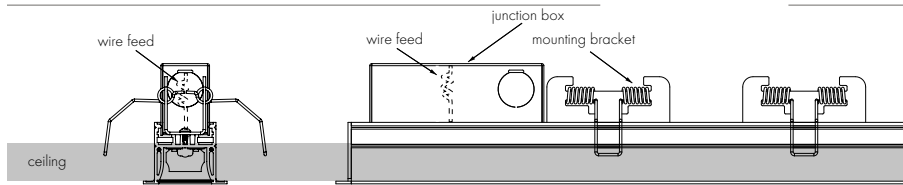
**KR-XX-LE-RE-LPB-RNPF**  
Kilo Recessed with back feed



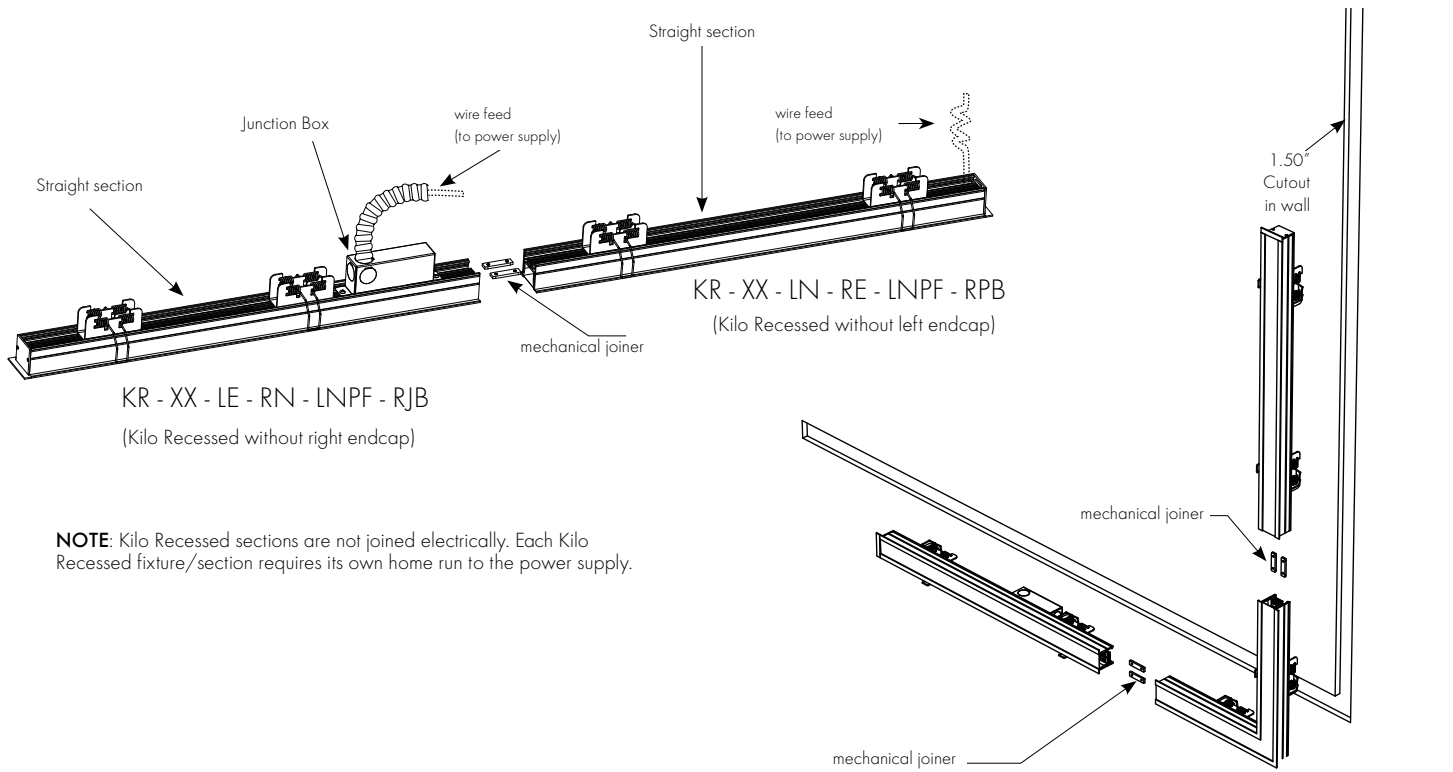
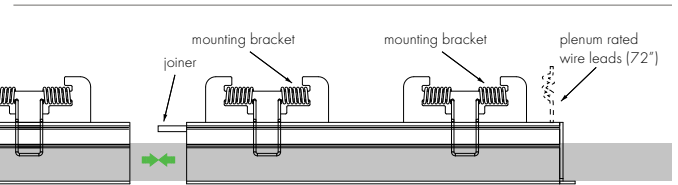
**KR-XX-LE-RE-LJB-RNPF**  
Kilo Recessed with left endcap, with right endcap, with Junction Box



**KR-XX-LE-RN-LJB-RNPF**  
Kilo Recessed with left endcap, without right endcap, with Junction Box on left

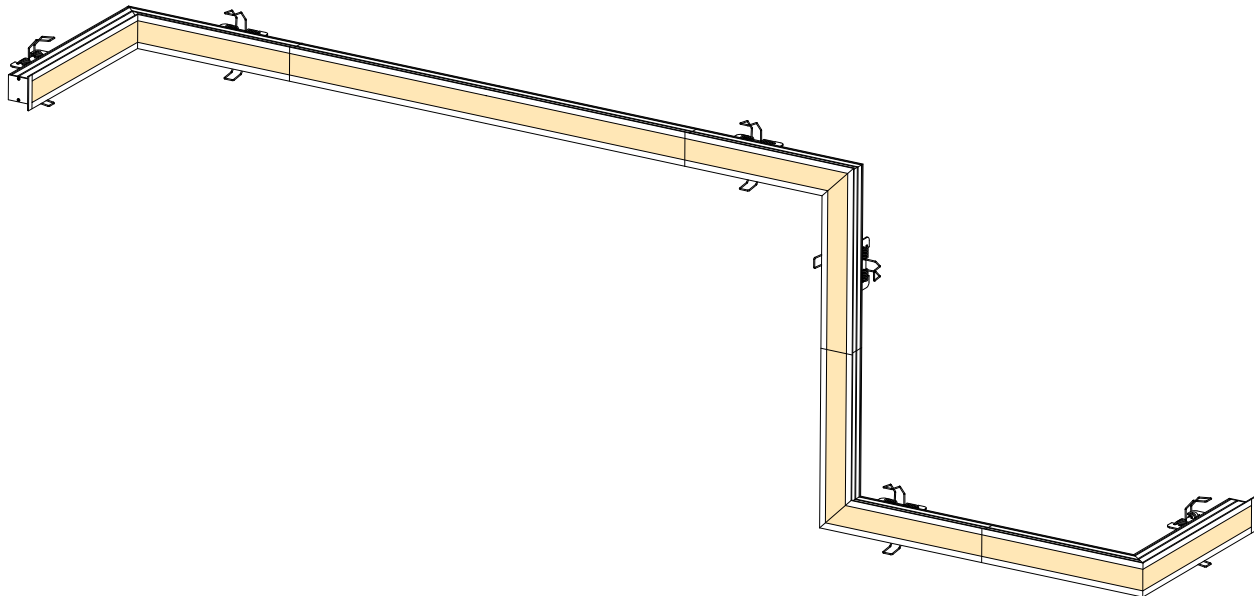
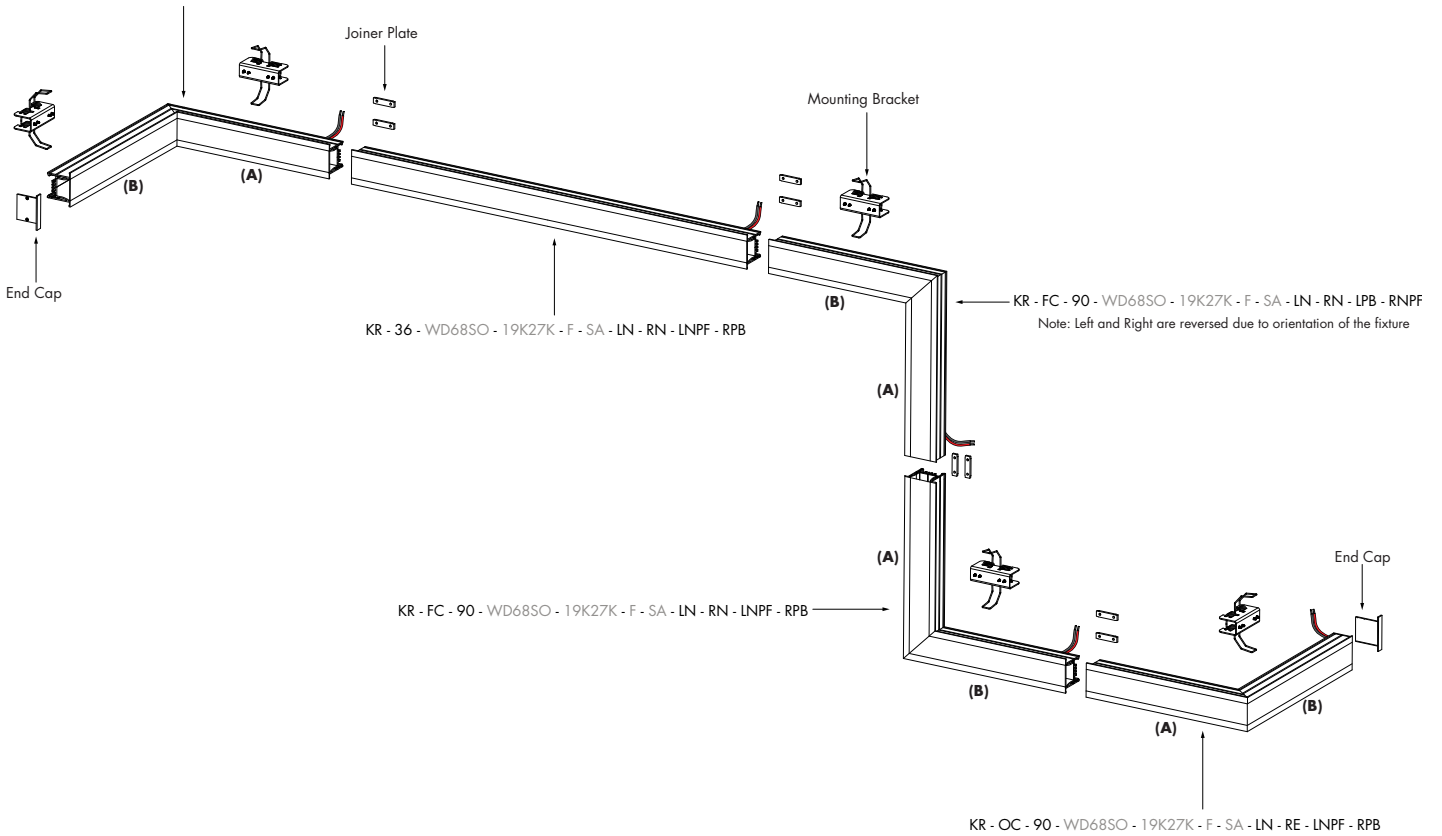


**KR-XX-LN-RE-LNPF-RPB**  
Kilo Recessed without left endcap, with right endcap, with plenum wire leads on right



Layout Example

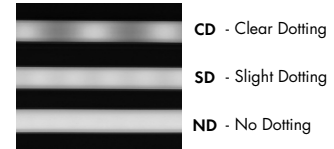
KR - IC - 90 - WD68SO - 19K27K - F - SA - LN - RE - LPB - RNPF  
 Note: Left and Right are reversed due to orientation of the fixture



**NOTE:** Kilo Recessed sections are not joined electrically. Each Kilo Recessed section requires its own home run to the power supply.

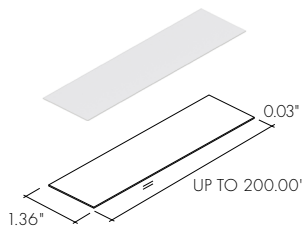
Light Transmission and Dotting

Output Options	Lens/Accessory							
	Clear Lens				Frosted Lens			
Dimming Level	100%	50%	10%	1%	100%	50%	10%	1%
WD68SO	CD	CD	CD	CD	ND	ND	ND	ND
TW68SO (All On)	CD	CD	CD	CD	ND	ND	ND	ND
TW68SO (1-Channel)	CD	CD	CD	CD	ND	ND	ND	ND
TW68HO (All On)	CD	CD	CD	CD	ND	ND	ND	ND
TW68HO (1-Channel)	CD	CD	CD	CD	ND	ND	ND	ND
RGBW36SO	CD	CD	CD	CD	ND	ND	ND	ND
RGBW36HO	CD	CD	CD	CD	ND	ND	ND	ND
RGB42SO	CD	CD	CD	CD	ND	ND	ND	ND
RGB42HO	CD	CD	CD	CD	ND	ND	ND	ND
RGBX18SO	CD	CD	CD	CD	ND	ND	ND	ND
RGBWX18SO	CD	CD	CD	CD	ND	ND	ND	ND
<b>Transmission Percentage</b>	114%				100%			



Accessories

Continuous Lens (Field Cuttable)



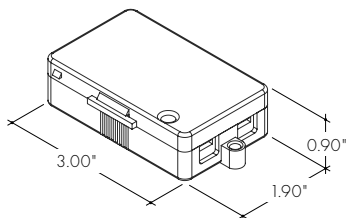
**KILOC-FF** - Kilo Channel Continuous Frosted Lens  
**KILOC-CC** - Kilo Channel Continuous Clear Lens

**XX** - Order in 10' increments up to 200'

**Note:** Order the continuous (field cuttable) lens up to 200'. Recommended to avoid seams between multiple fixtures joining together.

**LVSP-4T-BK**

Low Voltage, 4 Terminal Splice Box, Black



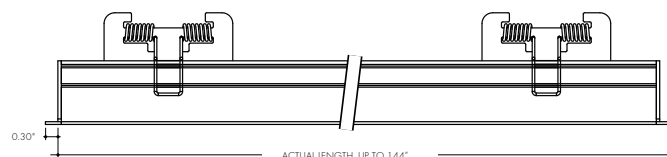
**Power Consumption**

Tested at Full Power with PS-UNI Series power supplies.

Standard Nominal Lengths offered provide minimal shadowing. For alternate lengths, please consult Inside Sales with specific request.

**Warm Dim (2x WD68)**

Nominal Length (in)	Actual Length	Watts	Nominal Length (in)	Actual Length	Watts	Nominal Length (in)	Actual Length	Watts	Nominal Length (in)	Actual Length	Watts
		SO			SO			SO			SO
12	10 11/16	9.2	47	--	--	82	--	--	117	116 8/16	95.0
13	--	--	48	47 10/16	42.1	83	82 1/16	69.5	118	--	--
14	13 3/16	11.6	49	--	--	84	--	--	119	119	--
15	--	--	50	--	--	85	84 9/16	71.4	120	--	--
16	15 10/16	13.8	51	50 1/16	44.0	86	--	--	121	--	--
17	--	--	52	--	--	87	87	73.4	122	121 7/16	--
18	--	--	53	52 9/16	45.9	88	--	--	123	--	--
19	18 2/16	16.0	54	--	--	89	--	--	124	123 15/16	--
20	--	--	55	--	--	90	89 7/16	75.3	125	--	--
21	20 9/16	18.2	56	55	48.1	91	--	--	126	--	--
22	--	--	57	--	--	92	91 15/16	77.2	127	126 6/16	--
23	--	--	58	57 8/16	50.3	93	--	--	128	--	--
24	23	20.3	59	--	--	94	--	--	129	128 13/16	--
25	--	--	60	59 15/16	52.2	95	94 6/16	79.1	130	--	--
26	25 8/16	22.5	61	--	--	96	--	--	131	--	--
27	--	--	62	--	--	97	96 13/16	81.0	132	131 5/16	--
28	27 15/16	24.7	63	62 6/16	54.1	98	--	--	133	--	--
29	--	--	64	--	--	99	--	--	134	133 12/16	--
30	--	--	65	64 14/16	56.1	100	99 5/16	82.7	135	--	--
31	30 6/16	26.9	66	--	--	101	--	--	136	--	--
32	--	--	67	--	--	102	101 12/16	84.4	137	136 3/16	--
33	32 14/16	29.0	68	67 5/16	58.0	103	--	--	138	--	--
34	--	--	69	--	--	104	--	--	139	138 11/16	--
35	--	--	70	69 12/16	59.9	105	104 4/16	86.1	140	--	--
36	35 5/16	31.2	71	--	--	106	--	--	141	--	--
37	--	--	72	--	--	107	106 11/16	87.8	142	141 2/16	--
38	37 13/16	33.4	73	72 4/16	61.8	108	--	--	143	--	--
39	--	--	74	--	--	109	--	--	144	143 9/16	--
40	--	--	75	74 11/16	64.0	110	109 2/16	89.7			
41	40 4/16	35.6	76	--	--	111	--	--			
42	--	--	77	--	--	112	111 10/16	91.6			
43	42 11/16	37.7	78	77 2/16	66.1	113	--	--			
44	--	--	79	--	--	114	--	--			
45	--	--	80	79 10/16	67.8	115	114 1/16	93.3			
46	45 3/16	39.9	81	--	--	116	--	--			





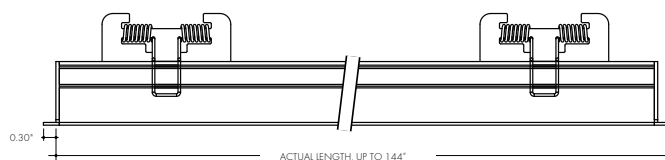
**Power Consumption**

Tested at Full Power with PS-UNI Series power supplies.

Standard Nominal Lengths offered provide minimal shadowing. For alternate lengths, please consult Inside Sales with specific request.

**Tunable White (2x TW68)**

Nominal Length (in)	Actual Length	Watts		Nominal Length (in)	Actual Length	Watts		Nominal Length (in)	Actual Length	Watts		Nominal Length (in)	Actual Length	Watts	
		SO	HO			SO	HO			SO	HO			SO	HO
<b>12</b>	10 11/16	7.9	9.8	<b>47</b>	--	--	--	<b>82</b>	--	--	--	<b>117</b>	116 8/16	68.0	73.9
<b>13</b>	--	--	--	<b>48</b>	47 10/16	34.9	43.3	<b>83</b>	82 1/16	53.5	62.9	<b>118</b>	--	--	--
<b>14</b>	13 3/16	9.8	12.3	<b>49</b>	--	--	--	<b>84</b>	--	--	--	<b>119</b>	119	68.8	74.3
<b>15</b>	--	--	--	<b>50</b>	--	--	--	<b>85</b>	84 9/16	55.4	64.0	<b>120</b>	--	--	--
<b>16</b>	15 10/16	11.8	14.8	<b>51</b>	50 1/16	36.4	44.8	<b>86</b>	--	--	--	<b>121</b>	--	--	--
<b>17</b>	--	--	--	<b>52</b>	--	--	--	<b>87</b>	87	57.0	65.4	<b>122</b>	121 7/16	69.6	74.7
<b>18</b>	--	--	--	<b>53</b>	52 9/16	38.0	46.3	<b>88</b>	--	--	--	<b>123</b>	--	--	--
<b>19</b>	18 2/16	13.4	16.8	<b>54</b>	--	--	--	<b>89</b>	--	--	--	<b>124</b>	123 14/16	70.4	75.1
<b>20</b>	--	--	--	<b>55</b>	--	--	--	<b>90</b>	89 7/16	58.5	66.9	<b>125</b>	--	--	--
<b>21</b>	20 9/16	15.3	19.3	<b>56</b>	55	39.7	47.8	<b>91</b>	--	--	--	<b>126</b>	--	--	--
<b>22</b>	--	--	--	<b>57</b>	--	--	--	<b>92</b>	91 15/16	59.8	68.3	<b>127</b>	126 6/16	71.2	75.5
<b>23</b>	--	--	--	<b>58</b>	57 8/16	40.8	49.7	<b>93</b>	--	--	--	<b>128</b>	--	--	--
<b>24</b>	23	17.2	21.7	<b>59</b>	--	--	--	<b>94</b>	--	--	--	<b>129</b>	128 13/16	71.7	75.9
<b>25</b>	--	--	--	<b>60</b>	59 15/16	41.9	51.5	<b>95</b>	94 6/16	60.6	69.3	<b>130</b>	--	--	--
<b>26</b>	25 8/16	19.0	24.0	<b>61</b>	--	--	--	<b>96</b>	--	--	--	<b>131</b>	--	--	--
<b>27</b>	--	--	--	<b>62</b>	--	--	--	<b>97</b>	96 13/16	61.4	70.4	<b>132</b>	131 5/16	72.2	76.3
<b>28</b>	27 15/16	20.7	26.3	<b>63</b>	62 6/16	43.3	53.0	<b>98</b>	--	--	--	<b>133</b>	--	--	--
<b>29</b>	--	--	--	<b>64</b>	--	--	--	<b>99</b>	--	--	--	<b>134</b>	133 12/16	72.7	76.7
<b>30</b>	--	--	--	<b>65</b>	64 14/16	45.0	54.3	<b>100</b>	99 5/16	62.3	71.3	<b>135</b>	--	--	--
<b>31</b>	30 6/16	22.5	28.6	<b>66</b>	--	--	--	<b>101</b>	--	--	--	<b>136</b>	--	--	--
<b>32</b>	--	--	--	<b>67</b>	--	--	--	<b>102</b>	101 12/16	63.1	72.2	<b>137</b>	136 3/16	73.2	77.1
<b>33</b>	32 14/16	24.6	30.6	<b>68</b>	67 5/16	46.5	55.7	<b>103</b>	--	--	--	<b>138</b>	--	--	--
<b>34</b>	--	--	--	<b>69</b>	--	--	--	<b>104</b>	--	--	--	<b>139</b>	138 11/16	73.7	77.5
<b>35</b>	--	--	--	<b>70</b>	69 12/16	47.3	57.4	<b>105</b>	104 4/16	64.0	72.8	<b>140</b>	--	--	--
<b>36</b>	35 5/16	26.7	32.4	<b>71</b>	--	--	--	<b>106</b>	--	--	--	<b>141</b>	--	--	--
<b>37</b>	--	--	--	<b>72</b>	--	--	--	<b>107</b>	106 11/16	64.8	73.2	<b>142</b>	141 2/16	74.1	77.9
<b>38</b>	37 13/16	28.4	34.3	<b>73</b>	72 4/16	48.1	59.1	<b>108</b>	--	--	--	<b>143</b>	--	--	--
<b>39</b>	--	--	--	<b>74</b>	--	--	--	<b>109</b>	--	--	--	<b>144</b>	143 9/16	74.5	78.3
<b>40</b>	--	--	--	<b>75</b>	74 11/16	49.3	60.1	<b>110</b>	109 2/16	65.6	73.5				
<b>41</b>	40 4/16	29.5	36.4	<b>76</b>	--	--	--	<b>111</b>	--	--	--				
<b>42</b>	--	--	--	<b>77</b>	--	--	--	<b>112</b>	111 10/16	66.3	73.5				
<b>43</b>	42 11/16	30.5	38.5	<b>78</b>	77 2/16	50.6	61.0	<b>113</b>	--	--	--				
<b>44</b>	--	--	--	<b>79</b>	--	--	--	<b>114</b>	--	--	--				
<b>45</b>	--	--	--	<b>80</b>	79 10/16	51.7	61.7	<b>115</b>	114 1/16	67.1	73.6				
<b>46</b>	45 3/16	32.7	40.9	<b>81</b>	--	--	--	<b>116</b>	--	--	--				



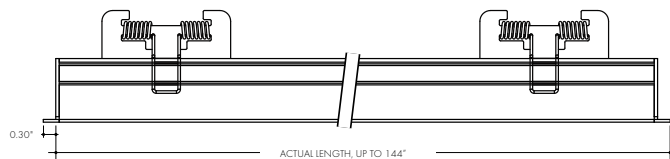
**Power Consumption**

Tested at Full Power with PS-UNI Series power supplies.

Standard Nominal Lengths offered provide minimal shadowing. For alternate lengths, please consult Inside Sales with specific request.

**RGB & RGBW (2x RGB42 & 2xRGB36)**

Nominal Length (in)	Actual Length	Watts				Nominal Length (in)	Actual Length	Watts				Nominal Length (in)	Actual Length	Watts				Nominal Length (in)	Actual Length	Watts			
		RGBW36		RGB42				RGBW36		RGB42				RGBW36		RGB42							
		SO	HO	SO	HO			SO	HO	SO	HO			SO	HO	SO	HO			SO	HO	SO	HO
12	10 11/16	6.2	12.1	7.4	13.9	47	46 2/16	29.2	54.8	32.9	59.5	82	81 9/16	50.1	-	55.0	85.4	117	-	-	-	-	
13	12 11/16	7.3	14.5	8.9	16.6	48	-	-	-	-	-	83	-	-	-	-	-	118	117	66.5	-	72.1	-
14	-	-	-	-	-	49	48 2/16	30.2	56.3	34.0	61.1	84	83 9/16	51.2	-	56.1	86.4	119	119	67.4	-	72.9	-
15	14 10/16	8.6	17.0	10.4	19.4	50	-	-	-	-	-	85	-	-	-	-	-	120	-	-	-	-	-
16	-	-	-	-	-	51	50 1/16	31.3	57.9	35.4	63.4	86	85 8/16	52.3	-	57.1	-	121	120 15/16	68.2	-	73.6	-
17	16 10/16	9.7	18.8	11.5	21.4	52	-	-	-	-	-	87	-	-	-	-	-	122	-	-	-	-	-
18	-	-	-	-	-	53	52 1/16	32.4	59.3	36.7	65.9	88	87 8/16	53.2	-	58.2	-	123	122 15/16	69.3	-	73.6	-
19	18 9/16	11.0	21.3	13.0	24.2	54	-	-	-	-	-	89	-	-	-	-	-	124	-	-	-	-	-
20	-	-	-	-	-	55	54	33.5	60.7	38.0	68.4	90	89 7/16	54.1	-	59.2	-	125	124 14/16	70.3	-	73.6	-
21	20 9/16	12.4	23.8	14.5	27.0	56	56	34.8	62.6	39.3	70.5	91	-	-	-	-	-	126	-	-	-	-	-
22	-	-	-	-	-	57	-	-	-	-	-	92	91 7/16	55.1	-	60.2	-	127	126 14/16	71.4	-	73.5	-
23	22 8/16	13.8	26.3	16.0	29.9	58	57 15/16	36.3	65.0	40.6	72.3	93	-	-	-	-	-	128	-	-	-	-	-
24	-	-	-	-	-	59	-	-	-	-	-	94	93 6/16	56.1	-	61.4	-	129	128 13/16	71.9	-	74.3	-
25	24 8/16	15.1	28.8	17.5	32.7	60	59 15/16	37.8	67.5	41.9	74.0	95	-	-	-	-	-	130	-	-	-	-	-
26	-	-	-	-	-	61	-	-	-	-	-	96	95 6/16	57.2	-	62.5	-	131	130 13/16	72.5	-	75.1	-
27	26 7/16	16.4	31.2	18.9	35.1	62	61 14/16	39.2	69.7	43.2	75.3	97	-	-	-	-	-	132	-	-	-	-	-
28	-	-	-	-	-	63	-	-	-	-	-	98	97 5/16	58.1	-	63.6	-	133	132 12/16	73.1	-	75.9	-
29	28 7/16	17.6	33.5	20.3	37.5	64	63 14/16	40.3	71.7	44.4	76.1	99	-	-	-	-	-	134	-	-	-	-	-
30	-	-	-	-	-	65	-	-	-	-	-	100	99 5/16	58.8	-	64.7	-	135	134 12/16	73.4	-	76.2	-
31	30 6/16	18.9	35.9	21.7	39.8	66	65 13/16	41.4	73.8	45.6	77.0	101	-	-	-	-	-	136	-	-	-	-	-
32	-	-	-	-	-	67	-	-	-	-	-	102	101 4/16	59.5	-	65.9	-	137	136 11/16	73.6	-	76.5	-
33	32 6/16	20.2	38.4	23.2	42.4	68	67 13/16	42.5	75.5	46.8	78.1	103	-	-	-	-	-	138	-	-	-	-	-
34	-	-	-	-	-	69	-	-	-	-	-	104	103 4/16	60.3	-	66.9	-	139	138 11/16	73.9	-	76.8	-
35	34 5/16	21.5	41.0	24.7	45.1	70	69 12/16	43.7	77.0	47.8	79.6	105	-	-	-	-	-	140	-	-	-	-	-
36	-	-	-	-	-	71	-	-	-	-	-	106	105 3/16	61.4	-	67.8	-	141	140 10/16	74.4	-	77.2	-
37	36 5/16	22.8	43.5	26.3	47.8	72	71 12/16	44.9	78.5	48.8	81.0	107	-	-	-	-	-	142	-	-	-	-	-
38	-	-	-	-	-	73	-	-	-	-	-	108	107 3/16	62.5	-	68.6	-	143	142 10/16	74.7	-	77.5	-
39	38 4/16	24.1	46.0	27.6	50.2	74	73 11/16	46.1	79.8	50.0	82.1	109	-	-	-	-	-	144	-	-	-	-	-
40	-	-	-	-	-	75	-	-	-	-	-	110	109 2/16	63.6	-	69.5	-	-	-	-	-	-	-
41	40 4/16	25.4	48.4	28.8	52.6	76	75 11/16	47.1	81.1	51.5	83.0	111	-	-	-	-	-	-	-	-	-	-	-
42	-	-	-	-	-	77	-	-	-	-	-	112	111 2/16	64.1	-	70.0	-	-	-	-	-	-	-
43	42 3/16	26.8	50.8	30.0	55.0	78	77 10/16	48.1	82.4	52.9	83.8	113	-	-	-	-	-	-	-	-	-	-	-
44	-	-	-	-	-	79	-	-	-	-	-	114	113 1/16	64.9	-	70.7	-	-	-	-	-	-	-
45	44 3/16	28.0	52.9	31.4	57.3	80	79 10/16	48.9	-	53.9	84.5	115	-	-	-	-	-	-	-	-	-	-	-
46	-	-	-	-	-	81	-	-	-	-	-	116	115 1/16	65.7	-	71.4	-	-	-	-	-	-	-



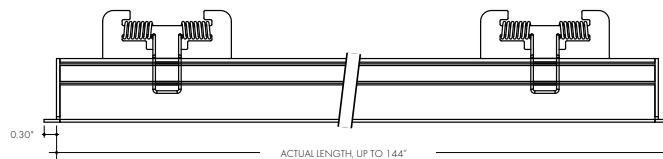
**Power Consumption**

Tested at Full Power with PS-UNI Series power supplies.

Standard Nominal Lengths offered provide minimal shadowing. For alternate lengths, please consult Inside Sales with specific request.

**PIXEL (2x RGBX18 & 2x RGBWX18)**

Nominal Length (in)	Actual Length	Watts		Nominal Length (in)	Actual Length	Watts		Nominal Length (in)	Actual Length	Watts		Nominal Length (in)	Actual Length	Watts	
		RGBX18	RGBWX18			RGBX18	RGBWX18			RGBX18	RGBWX18			RGBX18	RGBWX18
		SO	SO			SO	SO			SO	SO			SO	SO
12	8 12/16	9.2	11.3	47	-	-	-	82	-	-	-	117	-	-	-
13	12 11/16	9.2	11.3	48	-	-	-	83	-	-	-	118	-	-	-
14	-	-	-	49	48 2/16	34.9	43.9	84	83 9/16	59.5	74.1	119	119	81.8	-
15	-	-	-	50	-	-	-	85	-	-	-	120	-	-	-
16	-	-	-	51	-	-	-	86	-	-	-	121	-	-	-
17	16 10/16	12.2	15.1	52	-	-	-	87	-	-	-	122	-	-	-
18	-	-	-	53	52 1/16	37.7	47.4	88	87 8/16	62.2	77.4	123	122 15/16	84.2	-
19	-	-	-	54	-	-	-	89	-	-	-	124	-	-	-
20	-	-	-	55	-	-	-	90	-	-	-	125	-	-	-
21	20 9/16	15.2	18.8	56	56	40.5	50.8	91	-	-	-	126	-	-	-
22	-	-	-	57	-	-	-	92	91 7/16	64.8	80.7	127	126 14/16	86.6	-
23	-	-	-	58	-	-	-	93	-	-	-	128	-	-	-
24	-	-	-	59	-	-	-	94	-	-	-	129	-	-	-
25	24 8/16	18.2	22.6	60	59 15/16	43.3	54.2	95	-	-	-	130	-	-	-
26	-	-	-	61	-	-	-	96	95 6/16	66.7	83.2	131	130 13/16	89.0	-
27	-	-	-	62	-	-	-	97	-	-	-	132	-	-	-
28	-	-	-	63	-	-	-	98	-	-	-	133	-	-	-
29	28 7/16	21.1	26.4	64	63 14/16	46.1	57.6	99	-	-	-	134	-	-	-
30	-	-	-	65	-	-	-	100	99 5/16	69.3	86.4	135	134 12/16	91.4	-
31	-	-	-	66	-	-	-	101	-	-	-	136	-	-	-
32	-	-	-	67	-	-	-	102	-	-	-	137	-	-	-
33	32 6/16	23.3	29.2	68	67 13/16	48.8	61.1	103	-	-	-	138	-	-	-
34	-	-	-	69	-	-	-	104	103 4/16	71.8	89.7	139	138 11/16	93.7	-
35	-	-	-	70	-	-	-	105	-	-	-	140	-	-	-
36	-	-	-	71	-	-	-	106	-	-	-	141	-	-	-
37	36 5/16	26.3	33.0	72	71 12/16	51.5	64.5	107	-	-	-	142	-	-	-
38	-	-	-	73	-	-	-	108	107 3/16	74.3	92.9	143	142 10/16	-	-
39	-	-	-	74	-	-	-	109	-	-	-	144	-	-	-
40	-	-	-	75	-	-	-	110	-	-	-	-	-	-	-
41	40 4/16	29.2	36.6	76	75 11/16	54.2	67.8	111	-	-	-	-	-	-	-
42	-	-	-	77	-	-	-	112	111 2/16	76.8	-	-	-	-	-
43	-	-	-	78	-	-	-	113	-	-	-	-	-	-	-
44	-	-	-	79	-	-	-	114	-	-	-	-	-	-	-
45	44 3/16	32.0	40.3	80	79 10/16	56.9	70.9	115	-	-	-	-	-	-	-
46	-	-	-	81	-	-	-	116	115 1/16	79.3	-	-	-	-	-



## Power Supplies

See fixture and power supply instructions & spec sheet for wiring information. Dimming possible in select models - view Luminii website for list of compatible dimmers.

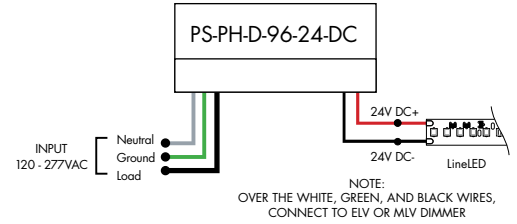
### For use with Warm Dim, WD68

#### Ordering Code Phase Dimming Power Supply 1% 120VAC - 277VAC

MODEL	INPUT CONTROL	ENVIRONMENT	WATTAGE	OUTPUT	OUTPUT CONTROL
PS- Power Supply, 120-277VAC	PH-Phase Dimming (Triac, ELV, MLV)	D-Dry	96-96 Watts	24-24 VDC	DC-Direct Current

MLV/ELV/TRIAC - 1% dimming, consult dimming compatibility chart [\(Link\)](#)

MODELS	96W
Length	8.25"
Width	4.10"
Depth	1.56"

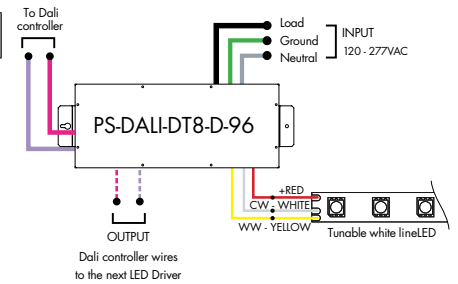


### For use with Tunable White, TW68

#### Ordering Code DALI2 Dimming Power Supplies 0.1% 120VAC - 277VAC

MODEL	INPUT CONTROL	ENVIRONMENT	WATTAGE	OUTPUT	OUTPUT CONTROL
PS- Power Supply, 120-277VAC	DALI-DT8-DALI DT8 Tunable White (0.1%)	D-Dry	96-96 Watts	24-24 VDC	PWM-Pulse Width Modulation

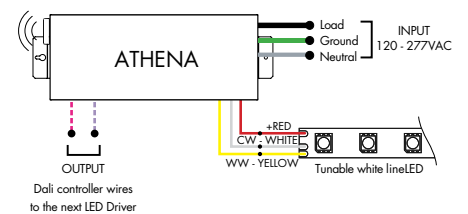
MODELS	96W
Length	14.40"
Width	5.20"
Depth	2.60"



### Athena DALI2-DT8 LED Driver

MODEL	INPUT CONTROL	ENVIRONMENT	WATTAGE	OUTPUT	FEATURE
PS- Power Supply, 120-277VAC	DALI-DT8-DALI DT8 Tunable White	D-Dry	96-96 W	24-24 VDC	AWNDR-Athena

MODELS	96W
Length	14.40"
Width	5.20"
Depth	2.60"



## Power Supplies

See fixture and power supply instructions & spec sheet for wiring information. Dimming possible in select models - view Luminii website for list of compatible dimmers.

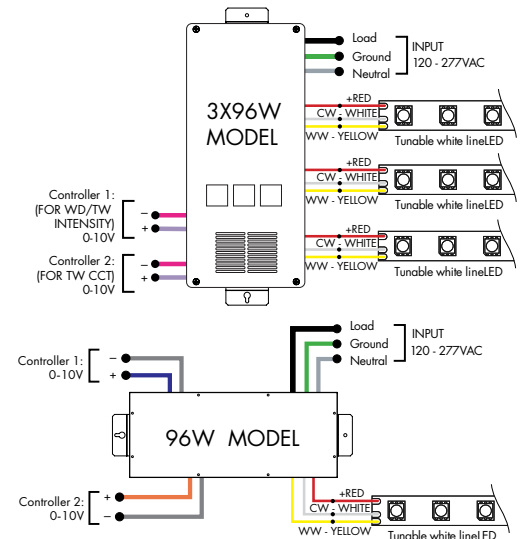
### For use with Tunable White, TW68

## Ordering Code VintageDim® 0 - 10V Dimming Power Supplies 120VAC - 277VAC

MODEL	INPUT CONTROL	ENVIRONMENT	WATTAGE	OUTPUT
PS - Power Supply, 120-277VAC	010V-WD - 0-10V Dimming, Standard Warm Dim Curve (with Tunable White LED) 010V-TW - 0-10V Dimming, Two Channel Control, Brightness and CCT1-CCT2 Ratio 010V-2CH - 0-10V Dimming, Two Channel Control, LED1 Brightness and LED2 Brightness 010V-WDX - 0-10V Dimming, Customizable Warm Dim Curve (with Tunable White LED) 010V-2CHX - 0-10V Dimming, Two Channel Control, Customizable Brightness and CCT1-CCT2 Ratio	D-Dry	96 - 96 Watts 3X96 - 3x96 Watts <sup>1</sup>	24 - 24 VDC

1 - 3x96 is only available with input control options 010V-WD and 010V-TW  
 2 - Athena only available on 96 watts option

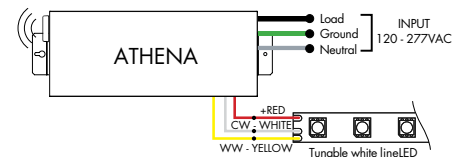
MODELS	96W	3X96
Length	14.40"	15.00"
Width	5.20"	6.62"
Depth	2.60"	4.56"



### Athena 0-10V Warm Dim LED Driver

MODEL	INPUT CONTROL	ENVIRONMENT	WATTAGE	OUTPUT	FEATURE
PS - Power Supply, 120-277VAC	010V-WD - 0-10V Dimming, Standard Warm Dim Curve (with Dynamic White LED)	D-Dry	96-96 W	24-24 VDC	AWNDR-Athena

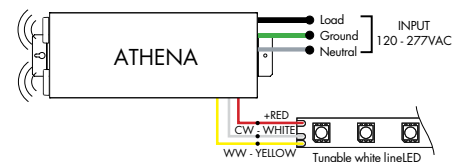
MODELS	96W
Length	14.40"
Width	5.20"
Depth	2.60"



### Athena 0-10V Two Channel LED Driver

MODEL	INPUT CONTROL	ENVIRONMENT	WATTAGE	OUTPUT	FEATURE
PS - Power Supply, 120-277VAC	010V-2CH - 0-10V Dimming Two Channel Control, LED1 Brightness and LED2 Brightness	D-Dry	96-96 W	24-24 VDC	AWNDR-Athena

MODELS	96W
Length	14.40"
Width	5.20"
Depth	2.60"



### Power Supplies

See fixture and power supply instructions & spec sheet for wiring information. Dimming possible in select models - view Luminii website for list of compatible dimmers.

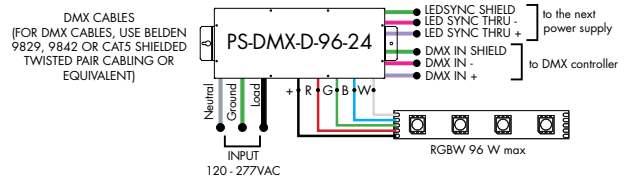
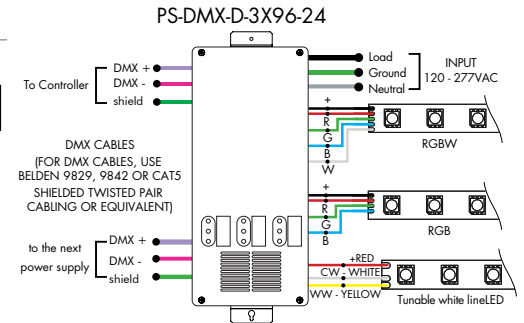
**For use with RGB/RGBW, RGB42/RGBW36 or with Tunable White, TW68**

Requires Controller

#### Ordering Code DMX Dimming Power Supplies 0.1% 120VAC - 277VAC

MODEL	INPUT CONTROL	ENVIRONMENT	WATTAGE	OUTPUT
PS-Power Supply, 120-277VAC	DMX-DMX (0.1%)	D-Dry	96-96 Watts 3X96-3X96 Watts	24-24 VDC

MODELS	96W	3X96
Length	14.40"	15.00"
Width	5.20"	6.62"
Depth	2.60"	4.56"



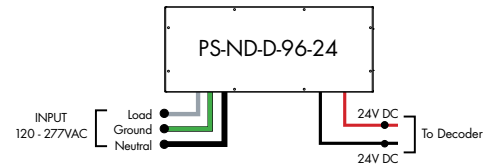
**For use with RGB/RGBW/Pixel, RGB42/RGBW36/RGBX18/RGBWX18**

Requires Controller and Decoder

#### Ordering Code Non-Dimming Power Supply 120VAC - 277VAC

MODEL	INPUT CONTROL	ENVIRONMENT	WATTAGE	OUTPUT
PS-Power Supply, 120-277VAC	ND-Non Dimming	D-Dry	96-96 Watts	24-24 VDC

MODELS	96W
Length	14.40"
Width	5.20"
Depth	2.60"



**For use with RGB/RGBW/Pixel, RGB42/RGBW36/RGBX18/RGBWX18**

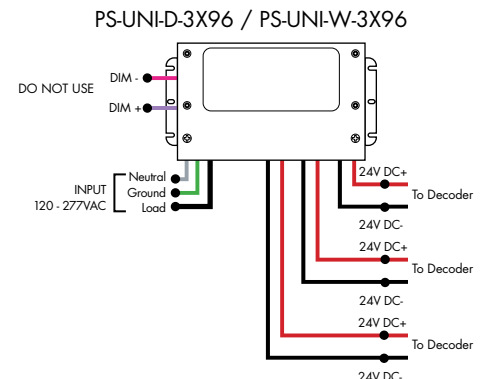
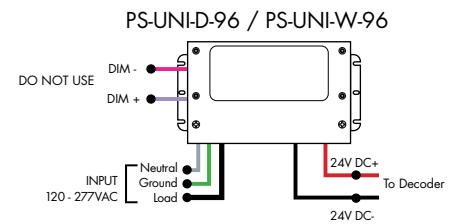
Requires Controller and Decoder

#### Ordering Code Universal Dimming Power Supplies 1% 120VAC - 277VAC

MODEL	INPUT CONTROL	ENVIRONMENT	WATTAGE	OUTPUT
PS-Power Supply, 120-277VAC	UNI-0-10V Dimming, Phase Dimming	D-Dry W-Wet	30-30 Watts 60-60 Watts 96-96 Watts 3x96-3x96 Watts	24-24 VDC

Compatibility: View a complete list of compatible dimmers on product page [\(Link\)](#)

0-10V - 1% dimming  
MLV/ELV/TRIAC - 1% dimming, consult dimming compatibility chart



MODELS	PS-UNI-W-30W	PS-UNI-W-60W	PS-UNI-W-96W	PS-UNI-W-3X96W
Length	6.50"	7.40"	8.66"	11.85"
Width	3.73"	3.73"	3.73"	4.32"
Depth	1.61"	1.61"	1.61"	1.81"

MODELS	PS-UNI-D-30W	PS-UNI-D-60W	PS-UNI-D-96W	PS-UNI-D-3X96W
Length	8.77"	8.77"	8.11"	9.94"
Width	4.27"	4.27"	5.60"	7.61"
Depth	1.83"	1.83"	1.83"	2.02"

## Controllers and Decoders

### For use with Tunable White Power Supplies



MODEL

**DTW-MC**

DTW-MC - Tunable White controller

Tunable White wall-mount controller controls lighting fixtures, wireless control of TW lighting fixture. Fits in any standard US switch box. Includes all the outputs in the back of the controller.

#### Features

- Switch & dimming control function, control range > 20M.
- Smooth transition between light levels.
- Separately operate dimming and color temperature functions.
- Able to control 1 zone with endless receivers. Each receiver can maximally be controlled by 8 remotes.
- Power, temperature color and dimming functions operated by push button after receivers are connected.

#### Operating Voltage

3V DC battery

#### Color Parameters

- Brightness
- Saturation
- Fading



MODEL

**TW-DMX**

TW-DMX - DMX controller

Tunable White DMX wall-mount controller is a fully touch sensitive controller designed in accordance with standard protocol DMX512. Offers fast and accurate color temperature adjustment and brightness dimming of natural white, warm white and cold white. Designed with a touch color wheel, the DMX512 controller can adjust color temperature and brightness for all white LEDs smoothly and accurately. The DMX controller can control 1 zone with endless decoders.

#### Features

- 1 zone
- 6 color scenes
- DMX Control
- Touch Sensitive Glass Surface
- Dimming and Speed Control
- Memory Function
- Easily Fits Standard US Switch Boxes

#### Operating Voltage

12 - 24V DC

#### Color Parameters

- Brightness
- Saturation
- Primary colors
- Fading
- Color changing speed



MODEL

**SLD-DIMTW**

SLD-DIMTW - Tunable white LED dimming module

The SLD DimTW is a constant voltage warm dimming LED dimming module. The unique dimming module accepts 0-10V control and mimics a smooth, incandescent dimming curve.

#### Features

- Flicker free 0-100% dimming
- High efficiency up to 97%
- High precision dimming ratio:>1:1000
- Fully isolated plastic housing
- Comply with EN55015 and FCC part 15 without additional input filter and capacitors
- compact size, high reliability
- 3 years warranty

#### Operating Voltage

8-48 VDC

## Controllers and Decoders

### For use with Tunable White, RGB/RGBW Power Supplies



MODEL

**RGBW-RC-R**

RGBW-RC-R - RGBW receiver

The RGBW receiver is easily paired with controller by the click of a button. Receiver can be reset to factory settings at any time.

Each receiver can store one static RGB color, one color sequence, and one brightness setting for the white LED strip. Receivers assigned to the same scene within the same zone will have the same LED static color and color sequence.

**Operating Voltage**  
12-36 VDC

**Power Capacity**  
up to 96W at 24V

**Operating Temperature Range**  
from -4°F to +122°F in case



MODEL

**RGBW-SR**

RGBW-SR - RGBW signal repeater

Extends identical signal when connected in series to an RGBW LED control system. The RGBW signal repeater works with Luminii RGB and RGBW controllers, receivers, and decoders.

RGBW signal can be extended indefinitely when adequate power supply (not included) is connected to the system.

**Operating Voltage**  
12-36 VDC

**Power Capacity**  
up to 96W at 24V

**Operating Temperature Range**  
from -4°F to +122°F in case



MODEL

**DDMX-RGBW**

DDMX-RGBW - DMX decoder

Translates controller DMX512 programs for RGB and white LED strips.

Unique DMX address for the decoder can be set easily and displayed by the numeric display on the case. Changing and resetting the DMX address requires manual input.

Use power repeater to expand output.

**Operating Voltage**  
12-36 VDC

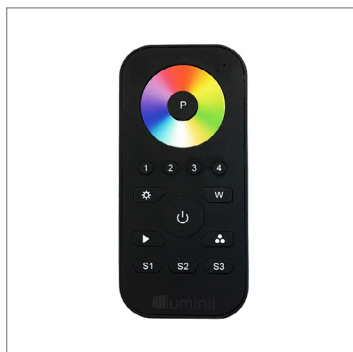
**Power Capacity**  
up to 96W at 24V

**Operating Temperature Range**  
from -4°F to +122°F in case



## Controllers and Decoders

### For use with RGB/RGBW Power Supplies



MODEL

**RGBW-MC3**

RGBW-MC3 - 4-zone RGBW controller

Easy to operate wireless interface suitable for static or color changing scenes. Control 4 different color zones separately or at the same time. RGBW receiver (RGBW-RC-R) required for operation. Assign multiple receivers per zone to cover a large area.

Color wheel enables highly stable and sensitive color control functionality. Create your own color changing sequences with ease and flexibility.

#### Power

qty 3 AAA batteries

#### Scenes

up to 4 unique zones

#### Signal

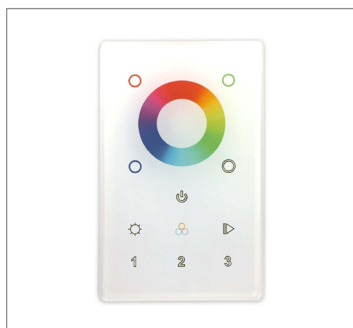
Wireless (RF)

#### Energy Saving

Deactivates after 10 seconds of inactivity

#### Color Parameters

- Brightness
- Saturation
- Primary colors
- Speed of color changing sequence
- Fading



MODEL

ZONES

COLOR

DMX - DMX  
Controller

3Z - Three Zone  
1Z - One Zone

RGBW - Red,  
Green,  
Blue, &  
White

DMX /Wireless RGB-W wall-mount controller controls DMX lighting fixtures, wireless control of RGB-W lighting fixture or use both simultaneously. Fits in any standard US switch box. Includes all the outputs in the back of the controller.

Control brightness levels with a single touch, personalize and memorize 3 different scenes, and even create 3 variations of white.

#### Features

- 2 in 1 in-Wall Controller: DMX Control or Wireless RGB-W
- 65,000 Color Options, Dimming and Speed Control
- Memory Function
- 50 Foot Wireless Range
- Easily Fits Standard US Switch Boxes
- Touch Sensitive Glass Surface
- Includes 10 Built in Programs, or Create and Play Your Own

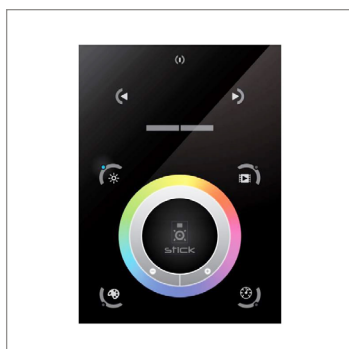
#### Operating Voltage

12 - 24V DC

#### Color Parameters

- Brightness
- Saturation
- Primary colors
- Fading
- Color changing speed

### For use with Tunable White, RGB/RGBW, Pixel Power Supplies



MODEL

**TSDMX-E**

TSDMX-E - Touchscreen DMX controller

Programmable advanced DMX512 lighting controller featuring a touch-screen interface. Operates as stand alone controller or integrated with most architectural lighting control systems. Can controller endless DMX512 enabled devices.

Mounts to standard single or dual gang wall box with the included power supply inside the junction box. Terminal block design for power and data connections.

#### Features

- Sleek glass design which sits 0.43" from the wall
- Graphical color display to show selected environment
- Color/dimmer/speed palette
- Color temperature mixing
- Touch sensitive buttons. No mechanical parts
- Touch sensitive wheel allows for accurate color selection
- Multi-zone microSD memory
- Multi-room control with 500 scenes, 10 zones
- 1024 DMX channels. Control 340 RGB fixtures
- USB & Ethernet connectivity for programming and control

#### Power Supply

7 VDC (included)

#### Programmability

PC, Mac, Tablet, Smartphone

#### Output Signal

DMX512 (1024 channels)

#### Color Parameters

- Brightness
- Saturation
- Speed of color changing sequence
- Fading / dimming / brightness

## Controllers and Decoders

### For use with Pixel Power Supplies



MODEL

**SR-DMX-SPI**

SR-DMX-SPI - Smart Pixel Decoder

The SR-DMX-SPI is a smart LED pixel decoder that controls RGB/RGBW pixel LED strips with SPI signal. Designed with an OLED backlit panel, the pixel controller allows for easy configuration of most settings. Four push buttons are available for control of the LED functions.  
\*For pixel only.

#### Features

- 2 in 1 in-Wall Controller: DMX Control or Wireless RGB-W
- SPI signal output for RGB/RGBW pixel light control
- DMX512 controllable and RF/WIFI remote controllable
- Capable of addressing up to 1020 RGB pixels & 765 RGBW pixels
- OLED panel allows for easy configuration

#### Operating Voltage

12 - 36V DC

#### Power capacity

up to 96W at 24V

#### Operating temperature range

from -4°F to +122°F in case

### For use with Tunable White, RGB/RGBW Power Supplies



MODEL

**DDMX-5CH-RDM-PRO**

DDMX-5CH-RDM-PRO-DMX512 Decoder

DMX512 decoder with RDM functionality features 5 PWM output channels with common anode. High PWM output frequency range allows the product to be used in HD video conferencing spaces. All DMX products to be installed per DMX512 Standard.

#### Power

96 Watt

#### Inputs

RJ45, XLR-5Pin, Terminal Block

#### DMX Channels

1 to 5 settable

#### PWM Output Resolution Ratio

8 or 16 bit

#### PWM Output Frequency

500Hz - 30KHz

#### Output Dimming Curve Gamma Value

0.1 ~ 9.9



MODEL

**RGBW-WI-R**

RGBW-WI-R - WIFI generator

RGBW-WI-R creates a local network that enables any electronic device (phone, tablet, etc.) to control the RGB/W strip connected to a RGBW-RC-R receiver.

The control functions are achieved through a free application download for Android and iOS devices called REALCOLOR.

#### Operating Voltage

12-36 VDC

#### Power Supply

PI-130-24 (included)

#### Operating Temperature Range

from -4°F to +122°F in case