

**Features**

- 24VDC Class 2 fixtures made to order up to 116". Fixtures can be linked up to 48' depending on output
- Suitable for wall wash applications
- Approved for closet/storage space installation per NEC 410.16(A) (3) and 410.16(C)(5) on outputs 5.7 W/ft or less
- Class 2 listed for damp locations
- Dot free even illumination with wash lens
- Average Life (L70): 50,000hrs
- High Color Quality options offer premium quality and vibrant colors with R9 values up to 97
- High Efficacy options offer best in class output and efficacy with over 486 lm/ft and up to 68 lm/W
- Proprietary strong bond solder method handles up to 50 lbs of pull force on wire leads and connectors
- 7 year warranty

**Finish Options** (see page 3 for additional information)

- Base  Silver Anodized
- Powder Coat  Black  Bronze  White



**Technical Information**

TYPE	High Color Quality			High Efficacy				High Efficacy
	72SO	72HO	72VHO	HE48LO	HE48SO	HE48MO	HE48HO	HE64VHO
<b>OUTPUT OPTIONS</b>								
<b>Lumens Output (3000K)</b>	115 lm/ft	187 lm/ft	227 lm/ft	112 lm/ft	155 lm/ft	207 lm/ft	332 lm/ft	420 lm/ft
<b>Average Power Consumption (for a 4' section)</b>	2.8 W/ft	4.8 W/ft	6 W/ft	1.9 W/ft	2.8 W/ft	3.5 W/ft	6.5 W/ft	7.5 W/ft
<b>Efficacy</b>	41 lm/W	39 lm/W	38 lm/W	59 lm/W	55 lm/W	59 lm/W	51 lm/W	56 lm/W
<b>Max Run Length (in series)</b>	40 ft	31 ft	22 ft	48 ft	42 ft	33 ft	21 ft	15 ft
<b>Ambient Operating Temperature Range*</b>	-5°F - 125°F (-20°C - 50°C)			-5°F - 125°F (-20°C - 50°C)				-5°F - 125°F (-20°C - 50°C)

\*Ambient Operating Temperature Range to maintain L70 of 50k+ hours in normal mounting conditions for the fixture. Exceeding Ambient Operating Temperature Range may result in decreased life/output. Consult Technical Support for specific inquiries.

**High Color Quality (72)**

CCT	Multiplier (reference - 3000K)	TM-30			
		CRI	R <sub>f</sub>	R <sub>g</sub>	R <sub>9</sub>
1900K	0.55	96	94	97	90
2200K	0.70	96	95	101	89
2400K	0.72	98	97	101	91
2700K	0.74	97	96	101	91
3000K	1.00	97	95	104	97
3500K	1.02	97	94	105	97
4100K	1.07	97	90	99	97

**High Efficacy (HE48/HE64)**

CCT	Multiplier (reference - 3000K)	TM-30			
		CRI	R <sub>f</sub>	R <sub>g</sub>	R <sub>9</sub>
2200K	0.73	92	91	97	42
2500K	0.81	93	96	96	62
2700K	0.94	92	90	99	58
3000K	1.00	92	89	99	57
3500K	1.02	92	89	99	60
4000K	1.02	92	86	94	71

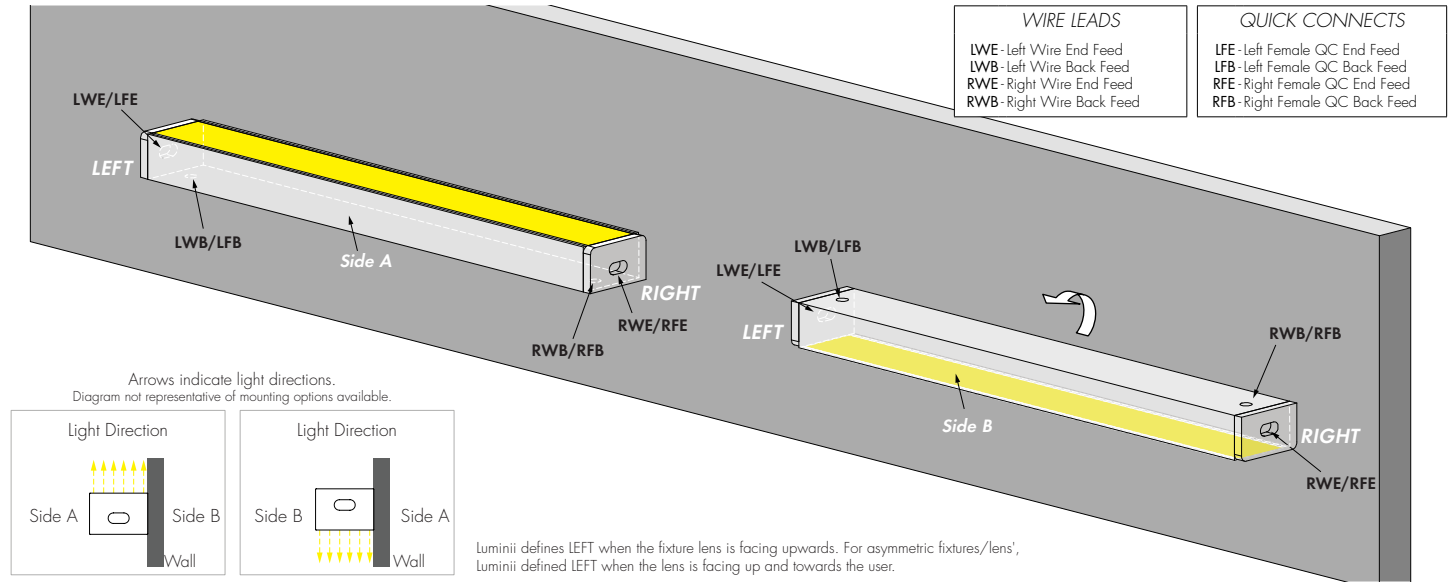
**Ordering Code**

MODEL	LENGTH <sup>1</sup>	OUTPUT <sup>2</sup>	CCT	LENS	MOUNTING <sup>3</sup>	FINISH <sup>4</sup>	FEED POSITION LEFT <sup>5</sup>	FEED POSITION RIGHT <sup>5</sup>
KGW - Kilo GW	12" - 116" 1" increments	72SO - Standard 72HO - High 72VHO - Very High	19K - 1900K 22K - 2200K 24K - 2400K 27K - 2700K 30K - 3000K 35K - 3500K 41K - 4100K	W - Wash	FC - Fixed Clip <sup>3</sup> A - Adjustable Hinge Mounting, up to 90° SMLF - Side-Mount Adjustable Bracket with Left Feed SMRF - Side-Mount Adjustable Bracket with Right Feed	BASE SA - Silver Anodized  POWDER COAT BK - Black BZ - Bronze WH - White	WIRE LEADS (72") LWE - Wire End Feed LWB - Wire Back Feed LNPF - No Power Feed	WIRE LEADS (72") RWE - Wire End Feed RWB - Wire Back Feed RNPF - No Power Feed
	12" - 116" 2" increments	HE48LO - Low HE48SO - Standard HE48MO - Medium HE48HO - High HE64VHO - Very High	27K - 2700K 30K - 3000K 35K - 3500K 40K - 4000K				QUICK CONNECTS (4") LFE - Female Q/C, End Feed LFB - Female Q/C, Back Feed LNPF - No Power Feed	QUICK CONNECTS (4") RFE - Female Q/C, End Feed RFB - Female Q/C, Back Feed RNPF - No Power Feed

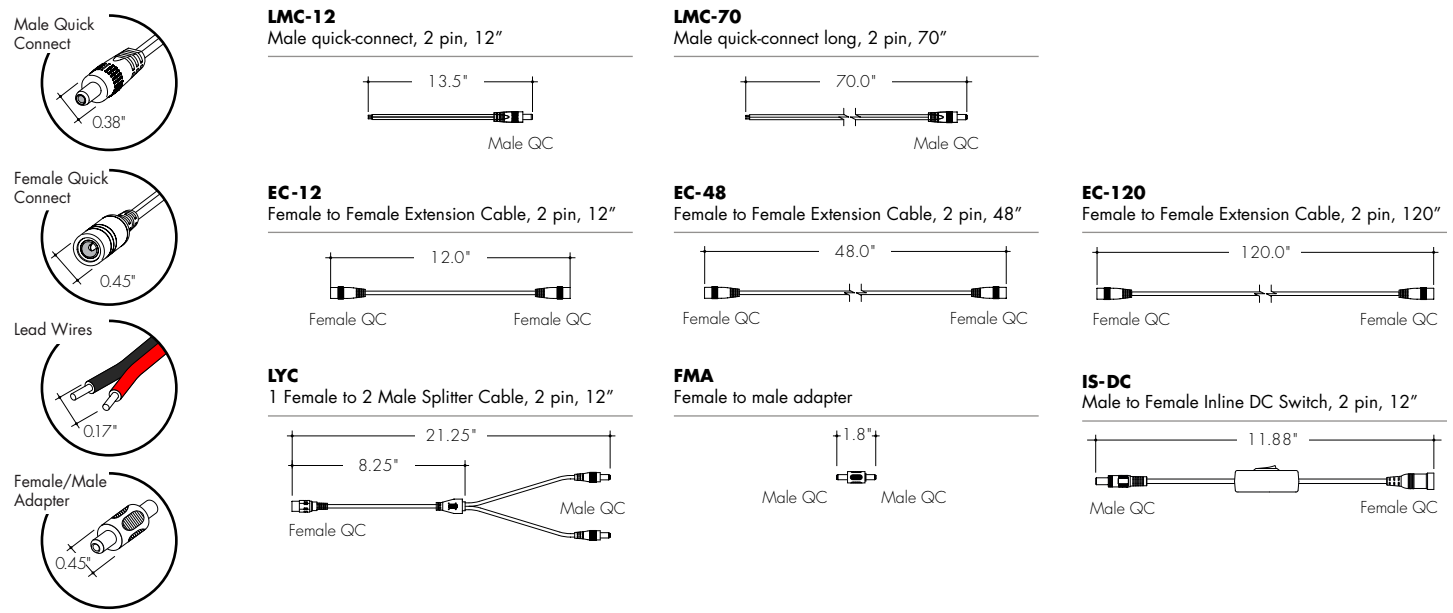
1 - Custom lengths and increments are available, please consult Inside Sales with specific request.  
 2 - All High Efficacy options can be used to comply with Title 24 JA8. High Color Quality options can be used to comply with Title 24 JA8 depending on Output, CCT, and lens selections. See multiplier charts to calculate specific efficacies.  
 3 - Fixed mounted systems have a maximum length of 76".  
 4 - Non Base finishes may have extended lead times. Custom RALs are available, please consult Inside Sales with specific request.  
 5 - LNPF - RNPF is not a valid configuration option

**Powerfeeds and Connectors**

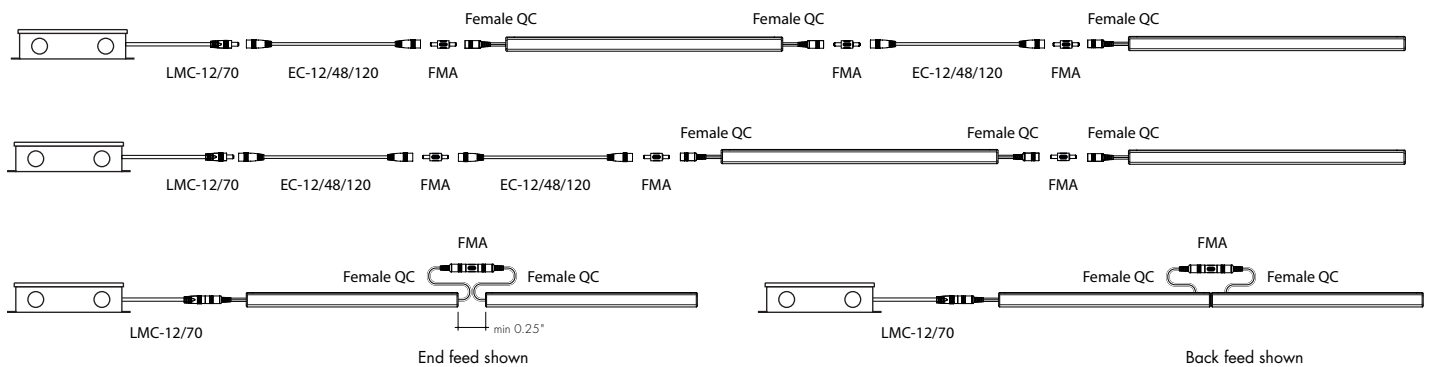
**Power Feed Position Options and Orientation**



**Linking and Extension Cable Options**

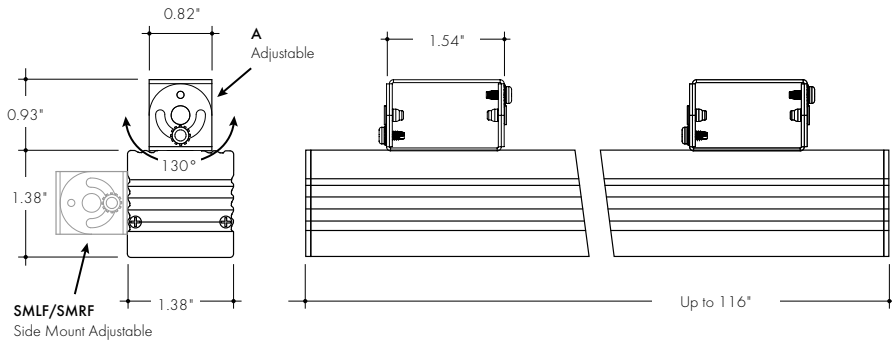


**Sample Layout**

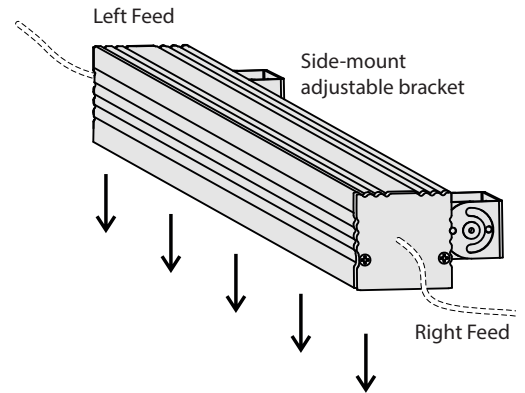
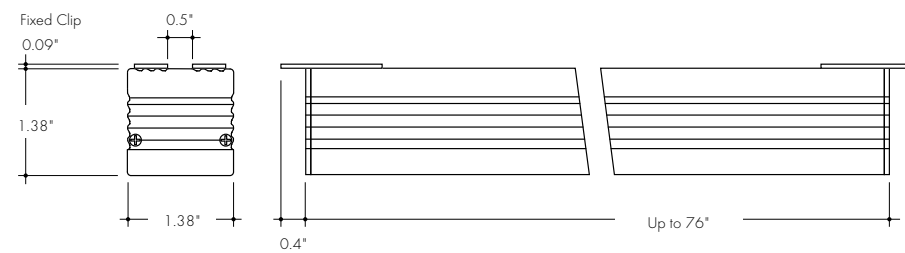


**Product Dimensions**

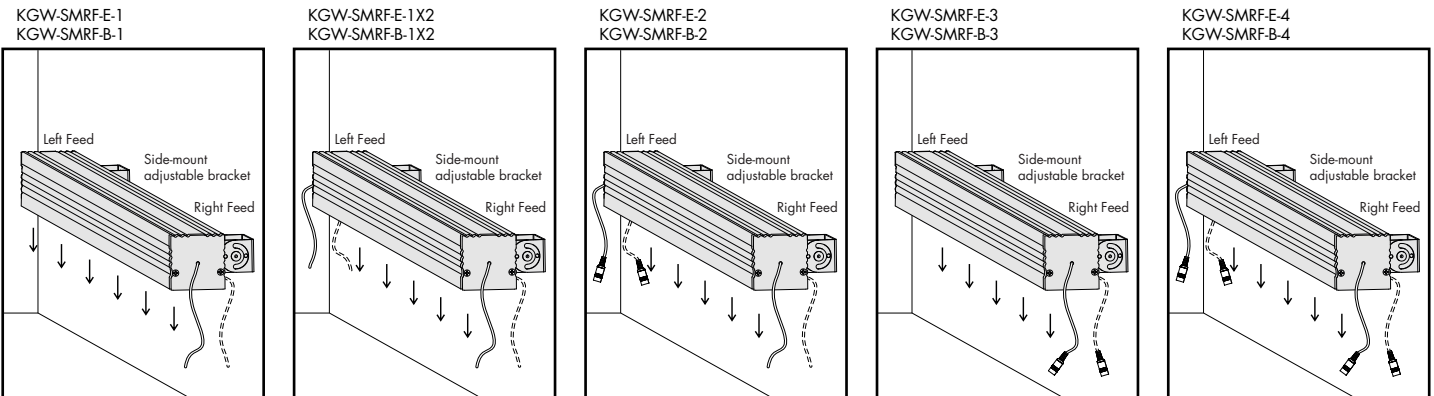
**Adjustable and Side Mount Adjustable Mounting**



**Fixed Clip Mounting**



**Mounting and Powerfeed options.**

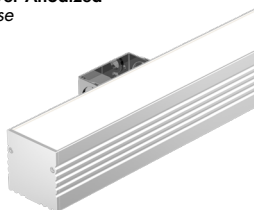


Top view. End Feed is Solid Line. Back Feed is Dashed Line. For SMLF Mounting flip the outputs in the figures above.

**Finish Options**

- Finish options are available in a wide variety, allowing for complete customization of style and aesthetic.
- Powder Coat finishes may have extended lead times.
- Custom RALs are available, please consult Inside Sales with specific request.

**Silver Anodized Base**



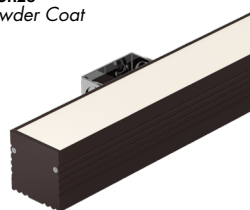
Silver Anodized is a soft silver with a clear finish.

**Black Powder Coat**



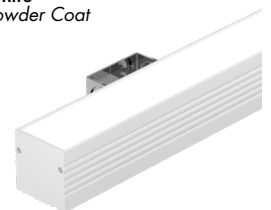
Black is a true deep black with a glossy finish.

**Bronze Powder Coat**



Bronze is a rich, dark brown with a satin finish.

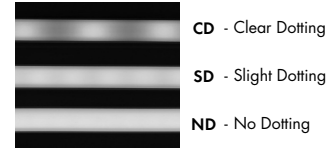
**White Powder Coat**



White is a polar bright white and field paintable.

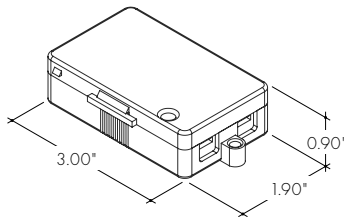
Light Transmission and Dotting

Output Options	Lens/Accessory			
	Dimming Level	100%	50%	10%
72SO	CD	CD	CD	CD
72HO	CD	CD	CD	CD
72VHO	CD	CD	CD	CD
HE48LO	CD	CD	CD	CD
HE48SO	CD	CD	CD	CD
HE48MO	CD	CD	CD	CD
HE48HO	CD	CD	CD	CD
HE64VHO	CD	CD	CD	CD

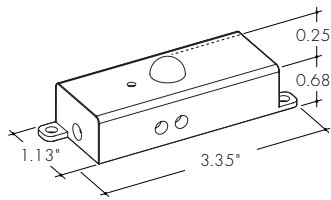


Accessory Options

**LVSP-4T-BK**  
Low Voltage, 4 Terminal Splice Box, Black

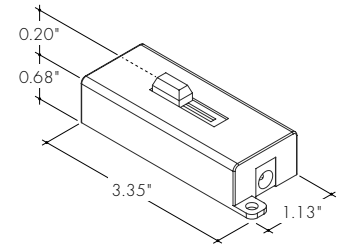


**OS-DC-F4-BK**  
Occupancy Sensor



Male Quick Connect, FMA, LMC, LYC, or IS-DC are required for input and output.

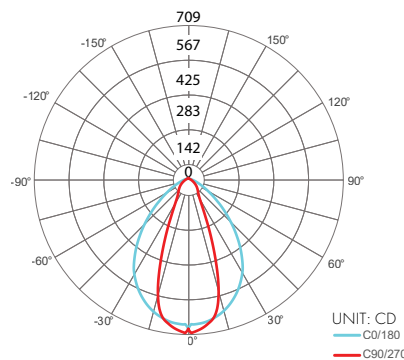
**DIM-DC-F4-BK**  
24VDC Low Voltage In-line Dimmer Module



Male Quick Connect, FMA, LMC, LYC, or IS-DC are required for input and output.

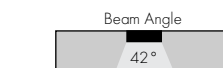
Photometry

KGW-48-72VHO-30K-W  
Kilo GW, 4ft, 3000K, VHO, Wash Lens



Zonal Lumen Summary 3000K

Zone	Lumen	% Fixture
0-30	441	48.5%
0-40	609	67.0%
0-60	830	91.4%
0-90	904	99.6%
0-180	908	100.0%



**Power Consumption**

Tested at Full Power with PS-UNI Series power supplies.

\*For Back Feed add 4/16" (1/4") to Actual Length. Standard Nominal Lengths offered provide minimal shadowing. For alternate lengths, please consult Inside Sales with specific request.

**High Color Quality (72)**

Nominal Length (in)	End Feed Actual Length*	Watts			Nominal Length (in)	End Feed Actual Length*	Watts			Nominal Length (in)	End Feed Actual Length*	Watts		
		SO	HO	VHO			SO	HO	VHO			SO	HO	VHO
<b>12</b>	11 1/16	2.7	4.4	6.2	<b>47</b>	47	10.5	17.4	23.1	<b>82</b>	81 12/16	18.3	29.5	38.4
<b>13</b>	12 4/16	2.7	4.4	6.2	<b>48</b>	-	-	-	-	<b>83</b>	82 14/16	18.5	29.8	38.8
<b>14</b>	13 7/16	2.9	4.8	6.7	<b>49</b>	48 2/16	10.7	17.8	23.5	<b>84</b>	-	-	-	-
<b>15</b>	14 9/16	3.1	5.2	7.3	<b>50</b>	49 5/16	11.1	18.6	24.4	<b>85</b>	84 1/16	18.7	30.1	39.2
<b>16</b>	15 12/16	3.4	5.6	7.8	<b>51</b>	50 7/16	11.4	18.9	24.9	<b>86</b>	85 3/16	19.2	30.8	40.0
<b>17</b>	16 14/16	3.6	6.0	8.3	<b>52</b>	51 10/16	11.6	19.3	25.3	<b>87</b>	86 6/16	19.4	31.1	40.4
<b>18</b>	-	-	-	-	<b>53</b>	52 12/16	11.9	19.7	25.7	<b>88</b>	87 8/16	19.6	31.5	40.8
<b>19</b>	18 1/16	3.9	6.5	8.9	<b>54</b>	53 15/16	12.1	20.1	26.1	<b>89</b>	88 11/16	19.9	31.8	41.1
<b>20</b>	19 3/16	4.4	7.3	9.9	<b>55</b>	-	-	-	-	<b>90</b>	89 13/16	20.1	32.2	41.5
<b>21</b>	20 6/16	4.6	7.7	10.5	<b>56</b>	55 1/16	12.3	20.5	26.6	<b>91</b>	91	20.4	32.5	41.9
<b>22</b>	21 8/16	4.8	8.1	11.0	<b>57</b>	56 4/16	12.8	21.3	27.4	<b>92</b>	-	-	-	-
<b>23</b>	22 11/16	5.1	8.6	11.5	<b>58</b>	57 7/16	13.1	21.6	27.8	<b>93</b>	92 2/16	20.6	32.9	42.3
<b>24</b>	23 13/16	5.3	9.0	12.1	<b>59</b>	58 9/16	13.3	22.0	28.3	<b>94</b>	93 5/16	21.1	33.6	43.1
<b>25</b>	25	5.6	9.4	12.6	<b>60</b>	59 12/16	13.6	22.4	28.7	<b>95</b>	94 7/16	21.3	33.9	43.4
<b>26</b>	-	-	-	-	<b>61</b>	60 14/16	13.8	22.8	29.1	<b>96</b>	95 10/16	21.5	34.2	43.8
<b>27</b>	26 2/16	5.8	9.8	13.1	<b>62</b>	-	-	-	-	<b>97</b>	96 12/16	21.8	34.6	44.2
<b>28</b>	27 5/16	6.2	10.5	14.1	<b>63</b>	62 1/16	14.0	23.1	29.6	<b>98</b>	97 15/16	22.0	34.9	44.6
<b>29</b>	28 7/16	6.5	10.9	14.5	<b>64</b>	63 3/16	14.5	23.8	30.5	<b>99</b>	-	-	-	-
<b>30</b>	29 10/16	6.7	11.2	15.0	<b>65</b>	64 6/16	14.7	24.1	31.0	<b>100</b>	99 2/16	22.2	35.2	45.0
<b>31</b>	30 12/16	6.9	11.6	15.5	<b>66</b>	65 8/16	14.9	24.4	31.4	<b>101</b>	100 4/16	22.5	35.9	45.9
<b>32</b>	31 15/16	7.1	12.0	16.0	<b>67</b>	66 11/16	15.1	24.7	31.9	<b>102</b>	101 7/16	22.7	36.2	46.3
<b>33</b>	-	-	-	-	<b>68</b>	67 13/16	15.3	25.0	32.4	<b>103</b>	102 9/16	22.9	36.5	46.7
<b>34</b>	33 1/16	7.3	12.3	16.5	<b>69</b>	69	15.5	25.4	32.8	<b>104</b>	103 12/16	23.1	36.8	47.1
<b>35</b>	34 4/16	7.8	13.1	17.4	<b>70</b>	-	-	-	-	<b>105</b>	104 14/16	23.3	37.1	47.5
<b>36</b>	35 7/16	8.0	13.4	17.9	<b>71</b>	70 2/16	15.8	25.7	33.3	<b>106</b>	-	-	-	-
<b>37</b>	36 9/16	8.2	13.8	18.4	<b>72</b>	71 5/16	16.2	26.3	34.2	<b>107</b>	106 1/16	23.5	37.4	48.0
<b>38</b>	37 12/16	8.4	14.2	18.9	<b>73</b>	72 7/16	16.4	26.6	34.7	<b>108</b>	107 3/16	23.9	38.1	48.8
<b>39</b>	38 14/16	8.7	14.5	19.3	<b>74</b>	73 10/16	16.6	26.9	35.1	<b>109</b>	108 6/16	24.1	38.4	49.2
<b>40</b>	-	-	-	-	<b>75</b>	74 12/16	16.8	27.3	35.5	<b>110</b>	109 8/16	24.3	38.7	49.6
<b>41</b>	40 1/16	8.9	14.9	19.8	<b>76</b>	75 15/16	17.1	27.6	35.9	<b>111</b>	110 11/16	24.5	39.0	50.0
<b>42</b>	41 3/16	9.3	15.6	20.7	<b>77</b>	-	-	-	-	<b>112</b>	111 13/16	24.8	39.3	50.4
<b>43</b>	42 6/16	9.6	16.0	21.2	<b>78</b>	77 2/16	17.3	27.9	36.3	<b>113</b>	113	25.0	39.6	50.8
<b>44</b>	43 8/16	9.8	16.4	21.7	<b>79</b>	78 4/16	17.7	28.5	37.2	<b>114</b>	-	-	-	-
<b>45</b>	44 11/16	10.0	16.7	22.1	<b>80</b>	79 7/16	17.9	28.9	37.6	<b>115</b>	114 2/16	25.2	39.9	51.2
<b>46</b>	45 13/16	10.2	17.1	22.6	<b>81</b>	80 9/16	18.1	29.2	38.0	<b>116</b>	115 5/16	25.6	40.5	52.0

**Power Consumption**

Tested at Full Power with PS-UNI Series power supplies.

\*For Back Feed add 4/16" (1/4") to Actual Length. Standard Nominal Lengths offered provide minimal shadowing. For alternate lengths, please consult Inside Sales with specific request.

**High Efficacy (HE48)**

Nominal Length (in)	End Feed Actual Length*	Watts				Nominal Length (in)	End Feed Actual Length*	Watts				Nominal Length (in)	End Feed Actual Length*	Watts			
		LO	SO	MO	HO			LO	SO	MO	HO			LO	SO	MO	HO
12	10 8/16	1.7	2.5	3.5	5.7	47	-	-	-	-	82	81 6/16	12.5	19.9	23.9	42.2	
13	12 8/16	1.7	2.5	3.5	5.7	48	47 15/16	7.1	11.2	13.9	25.4	83	-	-	-	-	
14	-	-	-	-	-	49	-	-	-	-	84	83 6/16	12.8	20.3	24.5	43.1	
15	14 7/16	2.0	3.0	4.0	7.2	50	49 14/16	7.4	11.7	14.5	26.3	85	-	-	-	-	
16	-	-	-	-	-	51	-	-	-	-	86	85 5/16	13.1	20.8	25.1	44.1	
17	16 7/16	2.4	3.5	4.6	8.7	52	51 14/16	7.7	12.3	15.1	27.4	87	-	-	-	-	
18	-	-	-	-	-	53	-	-	-	-	88	87 5/16	13.4	21.3	25.7	45.0	
19	18 6/16	2.7	3.9	5.2	10.2	54	53 13/16	8.0	12.9	15.7	28.5	89	-	-	-	-	
20	-	-	-	-	-	55	-	-	-	-	90	89 4/16	13.7	21.7	26.3	46.0	
21	20 6/16	3.0	4.4	5.8	11.7	56	55 13/16	8.4	13.5	16.4	29.5	91	-	-	-	-	
22	-	-	-	-	-	57	-	-	-	-	92	91 4/16	14.0	22.1	26.9	47.0	
23	22 5/16	3.4	4.9	6.4	13.2	58	57 12/16	8.7	14.0	17.0	30.6	93	-	-	-	-	
24	-	-	-	-	-	59	-	-	-	-	94	93 3/16	14.3	22.6	27.5	47.9	
25	24 5/16	3.7	5.4	7.0	14.7	60	59 12/16	9.0	14.6	17.6	31.6	95	-	-	-	-	
26	-	-	-	-	-	61	-	-	-	-	96	95 3/16	14.4	22.8	27.8	48.4	
27	26 4/16	4.1	5.9	7.5	15.8	62	61 11/16	9.4	15.2	18.2	32.6	97	-	-	-	-	
28	-	-	-	-	-	63	-	-	-	-	98	97 2/16	14.7	23.3	28.5	49.4	
29	28 4/16	4.4	6.4	8.1	16.8	64	63 11/16	9.7	15.6	18.7	33.7	99	-	-	-	-	
30	-	-	-	-	-	65	-	-	-	-	100	99 2/16	15.0	23.7	29.0	50.4	
31	30 3/16	4.8	6.9	8.7	17.9	66	65 10/16	10.0	16.1	19.2	34.7	101	-	-	-	-	
32	-	-	-	-	-	67	-	-	-	-	102	101 1/16	15.3	24.1	29.6	51.3	
33	32 3/16	5.0	7.2	9.0	18.5	68	67 10/16	10.4	16.5	19.8	35.7	103	-	-	-	-	
34	-	-	-	-	-	69	-	-	-	-	104	103 1/16	15.6	24.6	30.2	52.3	
35	34 2/16	5.4	7.7	9.6	19.5	70	69 9/16	10.7	17.0	20.3	36.7	105	-	-	-	-	
36	-	-	-	-	-	71	-	-	-	-	106	105	15.8	25.0	30.7	53.2	
37	36 2/16	5.7	8.2	10.2	20.6	72	71 9/16	11.0	17.4	20.8	37.7	107	107	16.1	25.5	31.3	54.2
38	-	-	-	-	-	73	-	-	-	-	108	-	-	-	-	-	
39	38 1/16	6.0	8.7	10.8	21.5	74	73 8/16	11.3	17.9	21.4	38.7	109	108 15/16	16.4	25.9	31.9	55.2
40	-	-	-	-	-	75	-	-	-	-	110	-	-	-	-	-	
41	40 1/16	6.2	9.2	11.4	22.3	76	75 8/16	11.6	18.4	22.0	39.6	111	110 14/16	16.7	26.4	32.5	56.1
42	-	-	-	-	-	77	-	-	-	-	112	-	-	-	-	-	
43	42	6.4	9.7	12.0	23.1	78	77 7/16	11.9	18.9	22.7	40.5	113	112 14/16	17.0	26.8	33.1	57.0
44	44	6.7	10.2	12.6	23.9	79	-	-	-	-	114	-	-	-	-	-	
45	-	-	-	-	-	80	79 7/16	12.2	19.4	23.3	41.4	115	114 13/16	17.3	27.3	33.7	57.9
46	45 15/16	6.9	10.7	13.3	24.7	81	-	-	-	-	116	-	-	-	-	-	

**Power Consumption**

Tested at Full Power with PS-UNI Series power supplies.

\*For Back Feed add 4/16" (1/4") to Actual Length. Standard Nominal Lengths offered provide minimal shadowing. For alternate lengths, please consult Inside Sales with specific request.

**High Efficacy (HE64)**

Nominal Length (in)	End Feed Actual Length*	Watts	Nominal Length (in)	End Feed Actual Length*	Watts	Nominal Length (in)	End Feed Actual Length*	Watts
		VHO			VHO			VHO
<b>12</b>	11 4/16	7.6	<b>47</b>	46 2/16	28.2	<b>82</b>	—	—
<b>13</b>	12 13/16	7.6	<b>48</b>	47 10/16	29.5	<b>83</b>	82 7/16	51.7
<b>14</b>	—	—	<b>49</b>	—	—	<b>84</b>	83 15/16	52.3
<b>15</b>	14 5/16	8.9	<b>50</b>	49 2/16	30.1	<b>85</b>	—	—
<b>16</b>	15 13/16	9.5	<b>51</b>	50 10/16	31.4	<b>86</b>	85 7/16	53.6
<b>17</b>	—	—	<b>52</b>	—	—	<b>87</b>	87	54.2
<b>18</b>	17 5/16	10.7	<b>53</b>	52 2/16	32.0	<b>88</b>	—	—
<b>19</b>	18 13/16	11.4	<b>54</b>	53 11/16	33.3	<b>89</b>	88 8/16	55.5
<b>20</b>	—	—	<b>55</b>	—	—	<b>90</b>	—	—
<b>21</b>	20 6/16	12.6	<b>56</b>	55 3/16	34.0	<b>91</b>	90	56.2
<b>22</b>	21 14/16	13.2	<b>57</b>	56 11/16	35.2	<b>92</b>	91 8/16	57.5
<b>23</b>	—	—	<b>58</b>	—	—	<b>93</b>	—	—
<b>24</b>	23 6/16	14.5	<b>59</b>	58 3/16	36.5	<b>94</b>	93 1/16	58.2
<b>25</b>	24 14/16	15.1	<b>60</b>	59 12/16	37.2	<b>95</b>	94 9/16	59.5
<b>26</b>	—	—	<b>61</b>	—	—	<b>96</b>	—	—
<b>27</b>	26 7/16	16.4	<b>62</b>	61 4/16	38.4	<b>97</b>	96 1/16	60.1
<b>28</b>	27 15/16	17.0	<b>63</b>	62 12/16	39.1	<b>98</b>	97 9/16	61.4
<b>29</b>	—	—	<b>64</b>	—	—	<b>99</b>	—	—
<b>30</b>	29 7/16	18.2	<b>65</b>	64 4/16	40.4	<b>100</b>	99 2/16	62.0
<b>31</b>	30 15/16	18.9	<b>66</b>	65 13/16	41.0	<b>101</b>	100 10/16	63.2
<b>32</b>	—	—	<b>67</b>	—	—	<b>102</b>	—	—
<b>33</b>	32 8/16	20.1	<b>68</b>	67 5/16	42.3	<b>103</b>	102 2/16	63.8
<b>34</b>	34	20.7	<b>69</b>	68 13/16	42.9	<b>104</b>	103 10/16	65.0
<b>35</b>	—	—	<b>70</b>	—	—	<b>105</b>	—	—
<b>36</b>	35 8/16	22.0	<b>71</b>	70 5/16	44.2	<b>106</b>	105 2/16	65.6
<b>37</b>	—	—	<b>72</b>	71 13/16	44.9	<b>107</b>	106 11/16	66.8
<b>38</b>	37	22.6	<b>73</b>	—	—	<b>108</b>	—	—
<b>39</b>	38 8/16	23.9	<b>74</b>	73 6/16	46.1	<b>109</b>	108 3/16	67.4
<b>40</b>	—	—	<b>75</b>	74 14/16	46.7	<b>110</b>	109 11/16	68.5
<b>41</b>	40 1/16	24.5	<b>76</b>	—	—	<b>111</b>	—	—
<b>42</b>	41 9/16	25.7	<b>77</b>	76 6/16	48.0	<b>112</b>	111 3/16	69.6
<b>43</b>	—	—	<b>78</b>	77 14/16	48.6	<b>113</b>	112 12/16	70.1
<b>44</b>	43 1/16	26.4	<b>79</b>	—	—	<b>114</b>	—	—
<b>45</b>	44 9/16	27.6	<b>80</b>	79 7/16	49.8	<b>115</b>	114 4/16	71.2
<b>46</b>	—	—	<b>81</b>	80 15/16	50.4	<b>116</b>	115 12/16	71.7

**Voltage Drop Calculator**

The below chart assumes nominal voltage of 24 Volts and a Voltage Drop Allowance of 3% through the wire

Wattage [W]	Wire Length From Power Supply to Start of Run [ft]						
	12 AWG	14 AWG	16 AWG	18 AWG	20 AWG	22 AWG	24 AWG
<b>5</b>	1088.2	684.4	430.3	270.6	170.2	107.1	67.3
<b>10</b>	544.1	342.2	215.1	135.3	85.1	53.5	33.7
<b>15</b>	362.7	228.1	143.4	90.2	56.7	35.7	22.4
<b>20</b>	272.0	171.1	107.6	67.7	42.6	26.8	16.8
<b>25</b>	217.6	136.9	86.1	54.1	34.0	21.4	13.5
<b>30</b>	181.4	114.1	71.7	45.1	28.4	17.8	11.2
<b>35</b>	155.5	97.8	61.5	38.7	24.3	15.3	9.6
<b>40</b>	136.0	85.5	53.8	33.8	21.3	13.4	8.4
<b>45</b>	120.9	76.0	47.8	30.1	18.9	11.9	7.5
<b>50</b>	108.8	68.4	43.0	27.1	17.0	10.7	6.7
<b>55</b>	98.9	62.2	39.1	24.6	15.5	9.7	6.1
<b>60</b>	90.7	57.0	35.9	22.6	14.2	8.9	5.6
<b>65</b>	83.7	52.6	33.1	20.8	13.1	8.2	5.2
<b>70</b>	77.7	48.9	30.7	19.3	12.2	7.6	4.8
<b>75</b>	72.5	45.6	28.7	18.0	11.3	7.1	4.5
<b>80</b>	68.0	42.8	26.9	16.9	10.6	6.7	4.2
<b>85</b>	64.0	40.3	25.3	15.9	10.0	6.3	4.0
<b>90</b>	60.5	38.0	23.9	15.0	9.5	5.9	3.7
<b>96</b>	56.7	35.6	22.4	14.1	8.9	5.6	3.5



**Power Supplies**

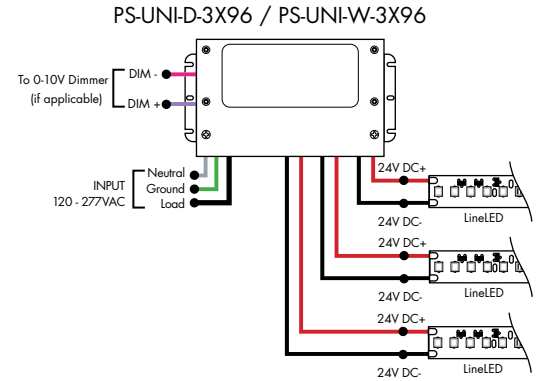
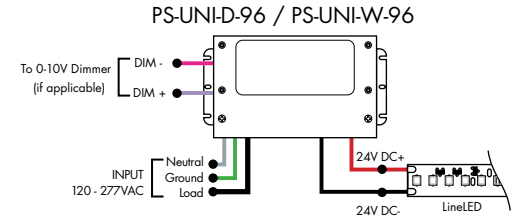
See Power Supply instructions and spec sheet for wiring information. For a complete list of compatible dimmers, see Compatible Dimming Chart on the Resources page.

**Ordering Code Universal Dimming Power Supplies 1% 120VAC - 277VAC**

MODEL	INPUT CONTROL	ENVIRONMENT	WATTAGE	OUTPUT
PS-Power Supply, 120-277VAC	UNI-0-10V Dimming, Phase Dimming	D-Dry W-Wet	30-30 Watts 60-60 Watts 96-96 Watts 3x96-3x96 Watts	24-24 VDC

Compatibility: View a complete list of compatible dimmers on product page [\(Link\)](#)

0-10V - 1% dimming  
MLV/ELV/TRIAC - 1% dimming, consult dimming compatibility chart



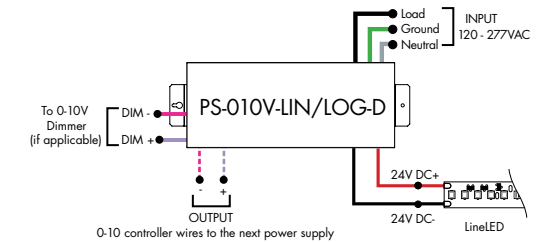
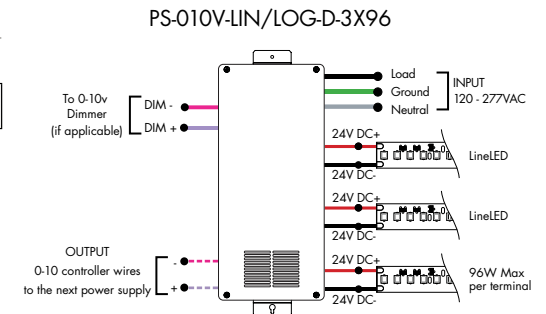
MODELS	PS-UNI-W-30W	PS-UNI-W-60W	PS-UNI-W-96W	PS-UNI-W-3X96W
<b>Length</b>	6.50"	7.40"	8.66"	11.85"
<b>Width</b>	3.73"	3.73"	3.73"	4.32"
<b>Depth</b>	1.61"	1.61"	1.61"	1.81"

MODELS	PS-UNI-D-30W	PS-UNI-D-60W	PS-UNI-D-96W	PS-UNI-D-3X96W
<b>Length</b>	8.77"	8.77"	8.11"	9.94"
<b>Width</b>	4.27"	4.27"	5.60"	7.61"
<b>Depth</b>	1.83"	1.83"	1.83"	2.02"

**Ordering Code 0-10V Dimming Power Supplies 0.1% 120VAC - 277VAC**

MODEL	INPUT CONTROL	ENVIRONMENT	WATTAGE	OUTPUT
PS-Power Supply, 120-277VAC	010V-LIN-0-10V Dimming (0.1%), Linear 010V-LOG-0-10V Dimming (0.1%), Logarithmic	D-Dry	96-96 Watts 3X96-3x96 Watts	24-24 VDC

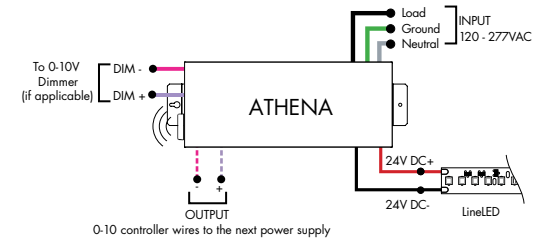
MODELS	96W	3X96
<b>Length</b>	14.40"	15.00"
<b>Width</b>	5.20"	6.62"
<b>Depth</b>	2.60"	4.45"



**Athena 0-10V LED Driver**

MODEL	INPUT CONTROL	ENVIRONMENT	WATTAGE	OUTPUT	FEATURE
PS-Power Supply, 120-277VAC	010V-LIN-0-10V Dimming, Linear 010V-LOG-0-10V Dimming, Logarithmic	D-Dry	96-96 W	24-24 VDC	AWNR-Athena

MODELS	96W
<b>Length</b>	14.40"
<b>Width</b>	5.20"
<b>Depth</b>	2.60"



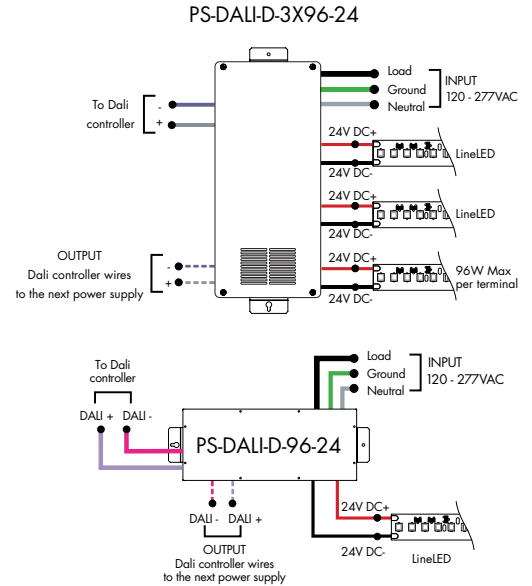
**Power Supplies**

See Power Supply instructions and spec sheet for wiring information. For a complete list of compatible dimmers, see Compatible Dimming Chart on the Resources page.

**Ordering Code DALI Dimming Power Supplies 0.1% 120VAC - 277VAC**

MODEL	INPUT CONTROL	ENVIRONMENT	WATTAGE	OUTPUT
PS-Power Supply, 120-277VAC	DALI-DALI (0.1%)	D-Dry	96-96 Watts 3X96-3X96 Watts	24-24 VDC

Model	96W	3X96
Length	14.40"	15.00"
Width	5.20"	6.62"
Depth	2.60"	4.56"

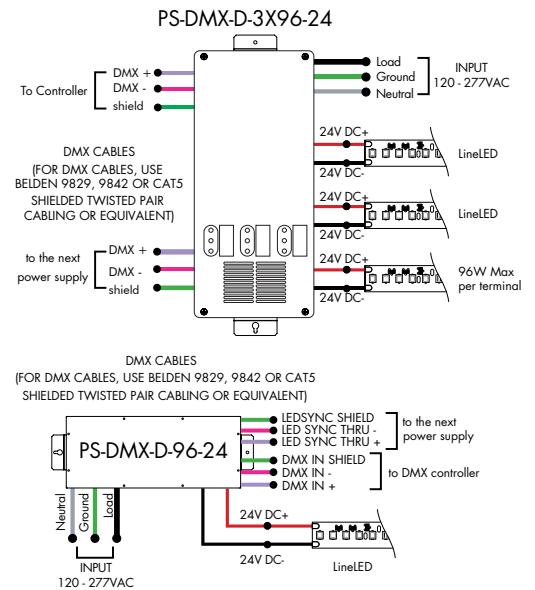


**Ordering Code DMX Dimming Power Supplies 0.1% 120VAC - 277VAC** Requires Zonal Control

MODEL	INPUT CONTROL	ENVIRONMENT	WATTAGE	OUTPUT
PS-Power Supply, 120-277VAC	DMX-DMX (0.1%)	D-Dry	96-96 Watts 3X96-3X96 Watts	24-24 VDC

\*Zonal control power supplies. Control multiple tapes/zones using DMX channels.

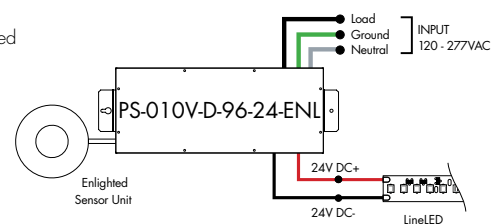
MODELS	96W	3X96
Length	14.40"	15.00"
Width	5.20"	6.62"
Depth	2.60"	4.56"



**Ordering Code Enlightened Enabled Dimming Power Supplies 1% 120VAC - 277VAC**

MODEL	INPUT CONTROL	ENVIRONMENT	WATTAGE	OUTPUT	FEATURE
PS-Power Supply, 120-277VAC	010V-0-10V Dimming (1%)	D-Dry	96-96 Watts	24-24 VDC	ENL-0-10V Enlightened

Model	96W
Length	14.40"
Width	5.20"
Depth	2.60"

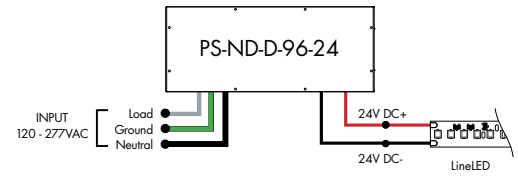


### Power Supplies

See Power Supply instructions and spec sheet for wiring information. For a complete list of compatible dimmers, see Compatible Dimming Chart on the Resources page.

#### Ordering Code Non-Dimming Power Supply 120VAC - 277VAC

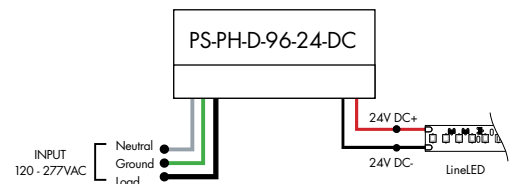
MODEL	INPUT CONTROL	ENVIRONMENT	WATTAGE	OUTPUT
PS - Power Supply, 120-277VAC	ND - Non Dimming	D - Dry	96-96 Watts	24 - 24 VDC



MODELS	96W
Length	14.40"
Width	5.20"
Depth	2.60"

#### Ordering Code Phase Dimming Power Supply 1% 120VAC - 277VAC

MODEL	INPUT CONTROL	ENVIRONMENT	WATTAGE	OUTPUT	OUTPUT CONTROL
PS - Power Supply, 120-277VAC	PH - Phase Dimming (Triac, ELV, MLV)	D - Dry	96-96 Watts	24-24 VDC	DC - Direct Current



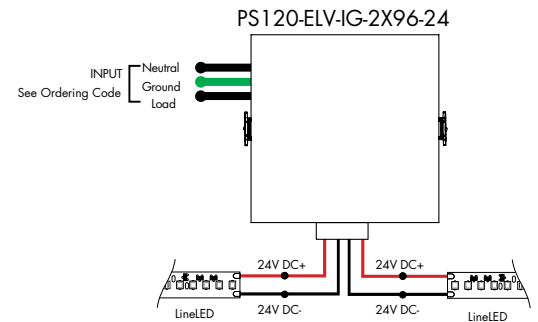
MLV/ELV/TRIAC - 1% dimming, consult dimming compatibility chart ([Link](#))

NOTE:  
OVER THE WHITE, GREEN, AND BLACK WIRES,  
CONNECT TO ELV OR MLV DIMMER

MODELS	96W
Length	8.25"
Width	4.10"
Depth	1.56"

#### Ordering Code In-Ground Power Supplies

MODEL	INPUT CONTROL	ENVIRONMENT	WATTAGE	OUTPUT
PS120 - Power Supply, 120VAC PS240 - Power Supply, 240VAC PS277 - Power Supply, 277VAC	ELV - ELV Dimming (1%)	IG - In Ground	2X96-2X96 Watts	24-24 VDC



MODELS	2X96W
Length	8.40"
Width	8.30"
Depth	8.10"

**Power Supplies**

See Power Supply instructions and spec sheet for wiring information. For a complete list of compatible dimmers, see Compatible Dimming Chart on the Resources page.



Luminii is a Lutron OEM Advantage Partner

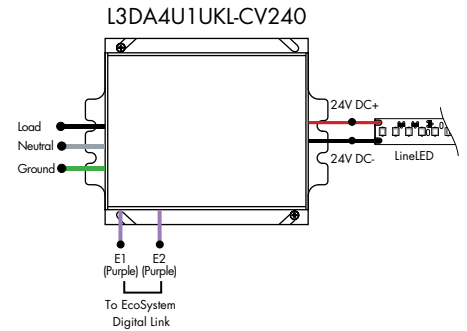
**Lutron Power Supplies 1%**

MODEL

**L3DA4U1UKL-CV240**

HiLume™ 1% EcoSystem Voltage LED driver  
40W max

MODELS	L3DA4U1UKL-CV240
<b>Length</b>	4.98"
<b>Width</b>	4.00"
<b>Depth</b>	2.62"



Luminii is a Lutron OEM Advantage Partner

**Lutron Power Supplies 0.1%**

MODEL

**L3D0-96W24V-U**

HiLume™ 0.1% EcoSystem Voltage LED Driver with Soft-On, Fade-to-Black™  
96W max

MODELS	L3D0
<b>Length</b>	10.50"
<b>Width</b>	5.50"
<b>Depth</b>	2.00"

