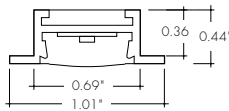


**Features**

- 24VDC Class 2 fixtures made to order up to 144". Fixtures can be linked up to 48' depending on output
- Suitable for millwork, recessed, architectural reveals, and accent lighting applications
- Approved for closet/storage space installation per NEC 410.16(A) (3) and 410.16(C)(5) on outputs 5.7 W/ft or less
- Class 2 listed for damp locations
- Dot free even illumination with frosted lens
- High Color Quality options offer premium quality and vibrant colors with R9 values up to 97
- High Efficacy options offer best in class output and efficacy with over 850 lm/ft and up to 121 lm/W
- Proprietary strong bond solder method handles up to 50 lbs of pull force on wire leads and connectors
- Average Life (L70): 50,000hrs
- 7 year warranty



**Finish Options** (see page 3 for additional information)

- Base  Silver Anodized
- Powder Coat  Black  Bronze  White
- Premium  Matte Black  Warm Nickel  Aged Brass  Polished Gold  Chrome



**Technical Information**

TYPE	High Color Quality			High Efficacy				High Efficacy
	72SO	72HO	72VHO	HE48LO	HE48SO	HE48MO	HE48HO	HE64VHO
<b>OUTPUT OPTIONS</b>								
Lumens Output (3000K) <small>(with a Clear Lens)</small>	234 lm/ft	381 lm/ft	463 lm/ft	228 lm/ft	316 lm/ft	422 lm/ft	677 lm/ft	857 lm/ft
Average Power Consumption <small>(for a 4' section)</small>	2.8 W/ft	4.8 W/ft	6 W/ft	1.9 W/ft	2.8 W/ft	3.5 W/ft	6.5 W/ft	7.5 W/ft
Efficacy	84 lm/W	79 lm/W	77 lm/W	120 lm/W	113 lm/W	121 lm/W	104 lm/W	114 lm/W
Max Run Length <small>(in series)</small>	40 ft	31 ft	22 ft	48 ft	42 ft	33 ft	21 ft	15 ft
Ambient Operating Temperature Range*	-5°F - 115°F <small>(-20°C - 45°C)</small>	-5°F - 105°F <small>(-20°C - 40°C)</small>		-5°F - 125°F <small>(-20°C - 50°C)</small>	-5°F - 115°F <small>(-20°C - 45°C)</small>	-5°F - 105°F <small>(-20°C - 40°C)</small>	-5°F - 95°F <small>(-20°C - 35°C)</small>	-5°F - 90°F <small>(-20°C - 30°C)</small>

\* Ambient Operating Temperature Range to maintain L70 of 50k+ hours in normal mounting conditions for the fixture. Exceeding Ambient Operating Temperature Range may result in decreased life/output. Consult Technical Support for specific inquiries.

**High Color Quality (72)**

CCT	Multiplier <small>(reference - 3000K)</small>	TM-30			
		CRI	R <sub>f</sub>	R <sub>g</sub>	R <sub>9</sub>
1900K	0.55	96	94	97	90
2200K	0.70	96	95	101	89
2400K	0.72	98	97	101	91
2700K	0.74	97	96	101	91
3000K	1.00	97	95	104	97
3500K	1.02	97	94	105	97
4100K	1.07	97	90	99	97

**High Efficacy (HE48/HE64)**

CCT	Multiplier <small>(reference - 3000K)</small>	TM-30			
		CRI	R <sub>f</sub>	R <sub>g</sub>	R <sub>9</sub>
2200K	0.73	92	91	97	42
2500K	0.81	93	96	96	62
2700K	0.94	92	90	99	58
3000K	1.00	92	89	99	57
3500K	1.02	92	89	99	60
4000K	1.02	92	86	94	71

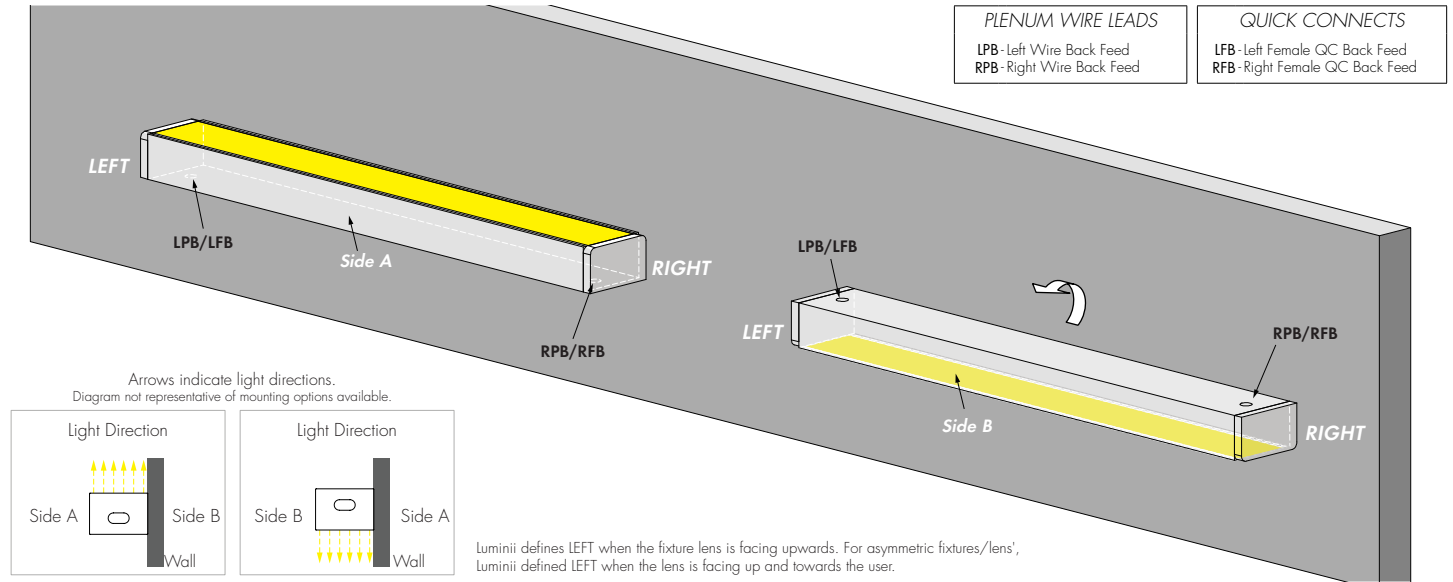
**Ordering Code**

MODEL	LENGTH <sup>1</sup>	OUTPUT <sup>2</sup>	CCT	LENS	MOUNTING	FINISH <sup>3</sup>	FEED POSITION LEFT <sup>5</sup>	FEED POSITION RIGHT <sup>5</sup>
KRS - Kendo S Recessed	12" - 144" 1" increments	72SO - Standard	19K - 1900K 22K - 2200K 24K - 2400K 27K - 2700K 30K - 3000K 35K - 3500K 41K - 4100K	C - Clear Lens HF - Half Frosted F - Frosted FF - Flat Frosted M - Medium	HS - Hard Surface Mounting Bracket GS - Gypsum Surface Mounting Bracket NB - No Bracket	BASE SA - Silver Anodized	PLENUM WIRE LEADS (72") LPB - Wire Back Feed LNPF - No Power Feed	PLENUM WIRE LEADS (72") RPB - Wire Back Feed RNPF - No Power Feed
		72HO - High 72VHO - Very High	HE48LO - Low HE48SO - Standard HE48MO - Medium HE48HO - High HE64VHO - Very High	22K - 2200K 25K - 2500K 27K - 2700K 30K - 3000K 35K - 3500K 40K - 4000K		POWDER COAT BK - Black BZ - Bronze WH - White	QUICK CONNECTS (4") LFB - Female Q/C, Back Feed LNPF - No Power Feed	QUICK CONNECTS (4") RFB - Female Q/C, Back Feed RNPF - No Power Feed
	12" - 144" 2" increments					PREMIUM MBK - Matte Black WN - Warm Nickel AB - Aged Brass PG - Polished Gold <sup>4</sup> CH - Chrome <sup>4</sup>		

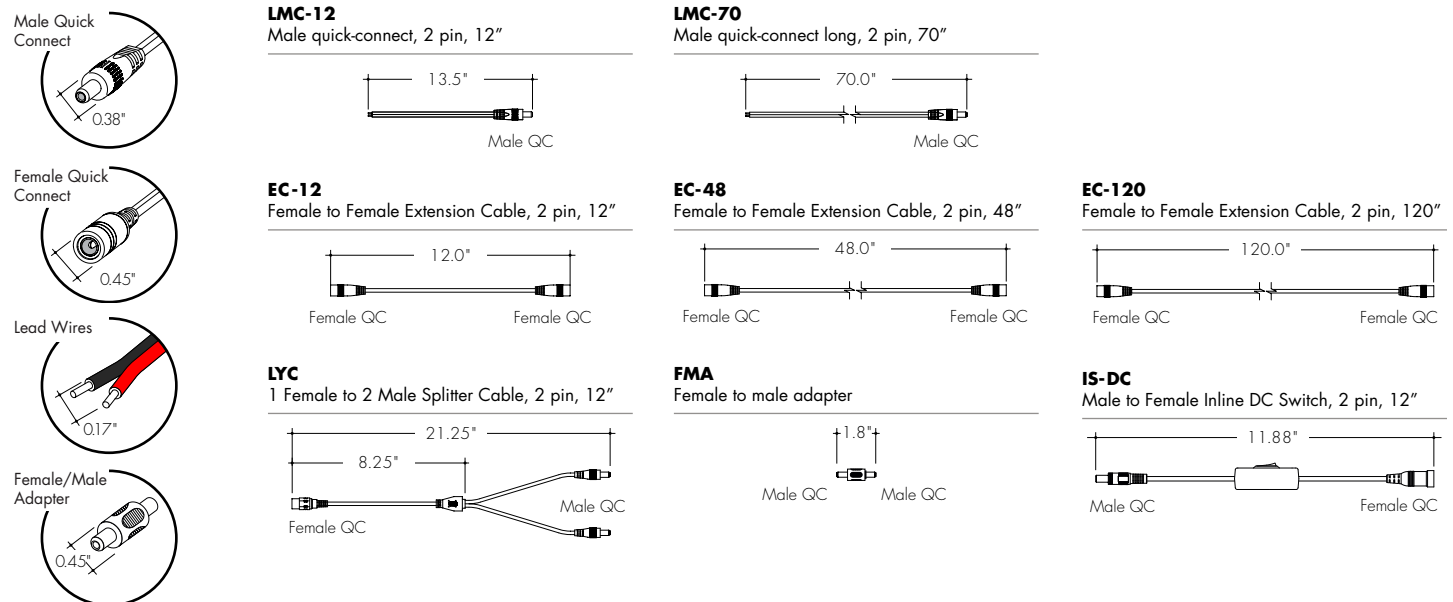
1 - Custom lengths and increments are available, please consult Inside Sales with specific request.  
 2 - All High Efficacy options can be used to comply with Title 24 JA8. High Color Quality options can be used to comply with Title 24 JA8 depending on Output, CCT, and lens selections. See multiplier charts to calculate specific efficacies.  
 3 - Non Base finishes may have extended lead times. Custom RALs are available, please consult Inside Sales with specific request.  
 4 - Polished Gold finishes and Chrome finishes have a maximum fixture length of 96".  
 5 - LNPF - RNPF is not a valid configuration option

Powerfeeds and Connectors

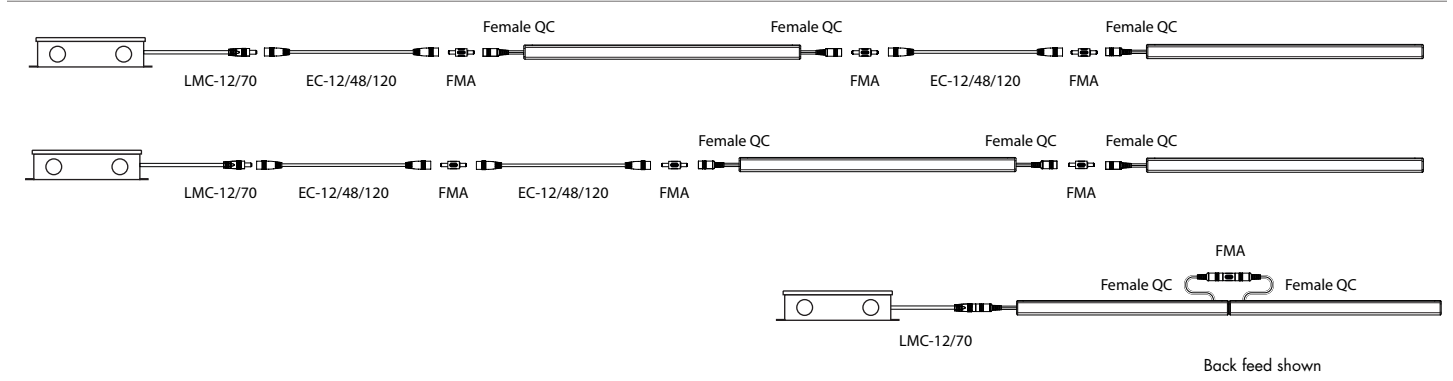
Power Feed Position Options and Orientation



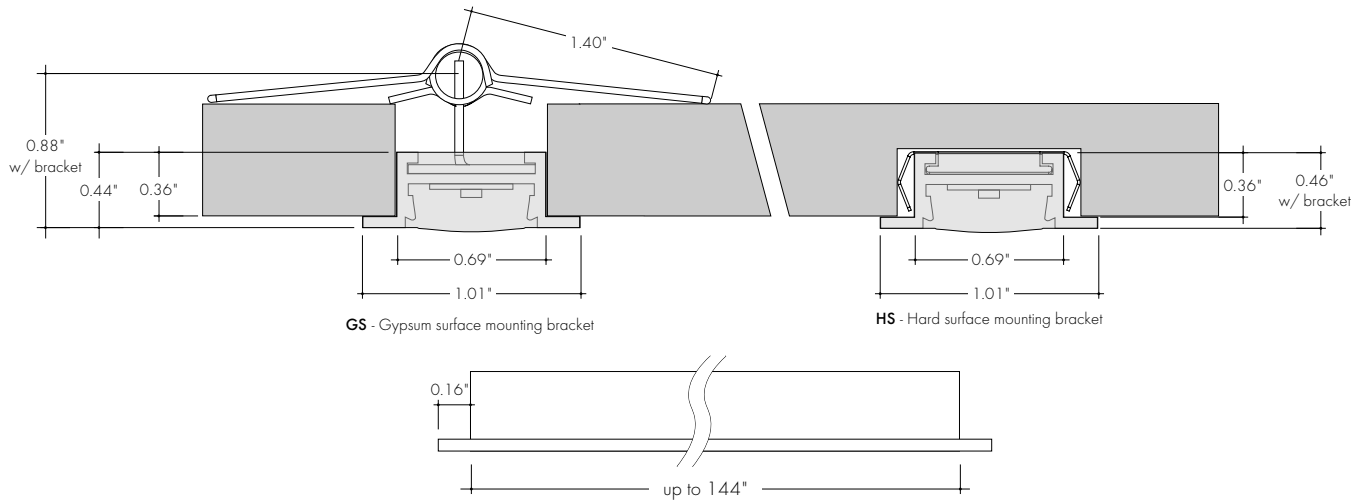
Linking and Extension Cable Options



Sample Layout



**Product Dimensions**



Note: Spring Bracket minimum ceiling thickness is 3/8", maximum ceiling thickness for drywall is 5/8".

**Finish Options**

- Finish options are available in a wide variety, allowing for complete customization of style and aesthetic.
- Non Base finishes may have extended lead times and price adder.
- Polished Gold and Chrome finishes have a maximum fixture length of 96".
- Custom RALs are available, please consult Inside Sales with specific request.

**Silver Anodized Base**



Silver Anodized is a soft silver with a clear finish.

**Black Powder Coat**



Black is a true deep black with a glossy finish.

**Bronze Powder Coat**



Bronze is a rich, dark brown with a satin finish.

**White Powder Coat**



White is a polar bright white and field paintable.

**Matte Black Premium**



Matte Black is a dark, pitch-black with a soft flat finish.

**Warm Nickel Premium**



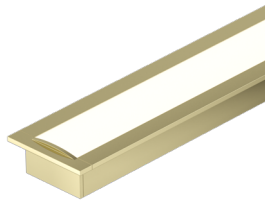
Warm Nickel is a soft, silvery smoke with warm tones and a satin finish.

**Aged Brass Premium**



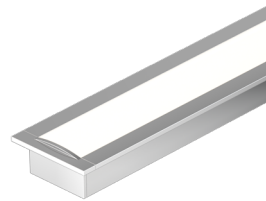
Aged Brass is a deep brown shade with slightly golden undertones.

**Polished Gold Premium**



Polished Gold is bright and radiant for a brilliant finish.

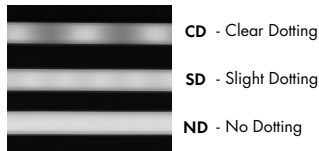
**Chrome Premium**



Chrome is a highly reflective silver polish.

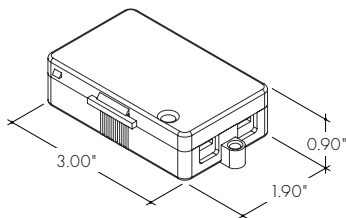
Light Transmission and Dotting

Output Options	Lens/Accessory																			
	Clear				Medium				Half-Frosted				Flat-Frosted				Frosted			
Dimming Level	100%	50%	10%	1%	100%	50%	10%	1%	100%	50%	10%	1%	100%	50%	10%	1%	100%	50%	10%	1%
72SO	CD	CD	CD	CD	CD	CD	CD	CD	ND	SD	SD	CD	ND	ND	ND	ND	ND	ND	ND	ND
72HO	CD	CD	CD	CD	CD	CD	CD	CD	ND	SD	SD	CD	ND	ND	ND	ND	ND	ND	ND	ND
72VHO	CD	CD	CD	CD	CD	CD	CD	CD	ND	SD	SD	CD	ND	ND	ND	ND	ND	ND	ND	ND
HE48LO	CD	CD	CD	CD	CD	CD	CD	CD	CD	CD	CD	CD	CD	CD	CD	CD	ND	SD	SD	CD
HE48SO	CD	CD	CD	CD	CD	CD	CD	CD	CD	CD	CD	CD	CD	CD	CD	CD	ND	SD	SD	CD
HE48MO	CD	CD	CD	CD	CD	CD	CD	CD	CD	CD	CD	CD	CD	CD	CD	CD	ND	SD	SD	CD
HE48HO	CD	CD	CD	CD	CD	CD	CD	CD	CD	CD	CD	CD	CD	CD	CD	CD	ND	SD	SD	CD
HE64VHO	CD	CD	CD	CD	CD	CD	CD	CD	CD	CD	CD	CD	ND	ND	ND	ND	ND	ND	ND	ND
<b>Transmission Percentage</b>	100%				98%				82%				63%				55%			

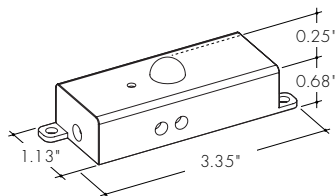


Accessory Options

**LVSP-4T-BK**  
Low Voltage, 4 Terminal Splice Box, Black

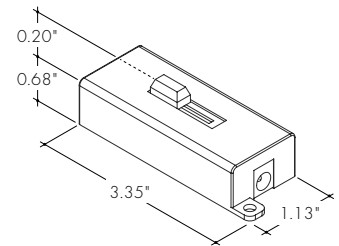


**OS-DC-F4-BK**  
Occupancy Sensor



Male Quick Connect, FMA, LMC, LYC, or IS-DC are required for input and output.

**DIM-DC-F4-BK**  
24VDC Low Voltage In-line Dimmer Module

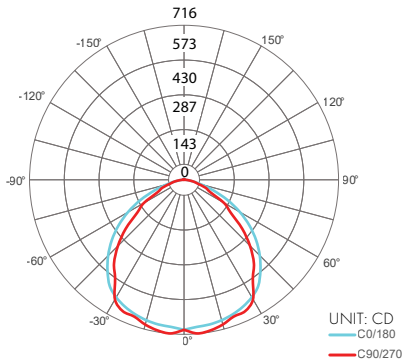


Male Quick Connect, FMA, LMC, LYC, or IS-DC are required for input and output.

Photometry

KRS-48-72VHO-30K-C

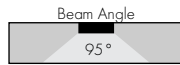
Kendo RS, 4ft, 3000K, VHO, Clear Lens



Zonal Lumen Summary 3000K

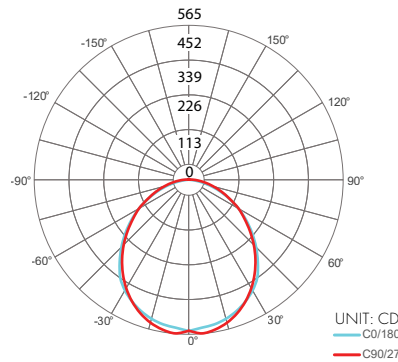
Zone	Lumen	% Fixture
0-30	557	30.10%
0-40	918	49.60%
0-60	1563	84.40%
0-90	1833	99.00%
0-180	1852	100%

Total



KRS-48-72VHO-30K-HF

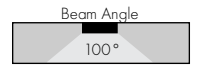
Kendo RS, 4ft, 3000K, VHO, Half Frosted Lens



Zonal Lumen Summary 3000K

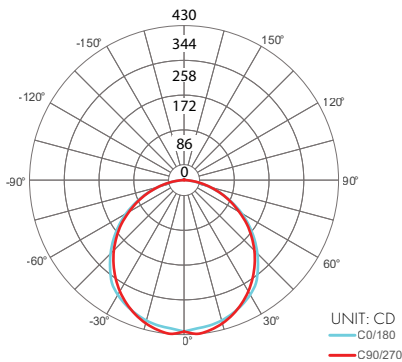
Zone	Lumen	% Fixture
0-30	433	28.40%
0-40	703	46.10%
0-60	1207	79.20%
0-90	1506	98.90%
0-180	1524	100%

Total



KRS-48-72VHO-30K-FF

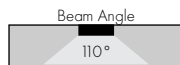
Kendo RS, 4ft, 3000K, VHO, Flat Frosted Lens



Zonal Lumen Summary 3000K

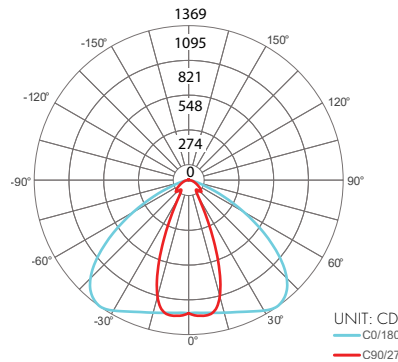
Zone	Lumen	% Fixture
0-30	341	26.60%
0-40	561	43.80%
0-60	997	77.87%
0-90	1267	98.96%
0-180	1280	100%

Total



KRS-48-72VHO-30K-M

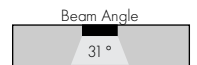
Kendo RS, 4ft, 3000K, VHO, Medium Lens



Zonal Lumen Summary 3000K

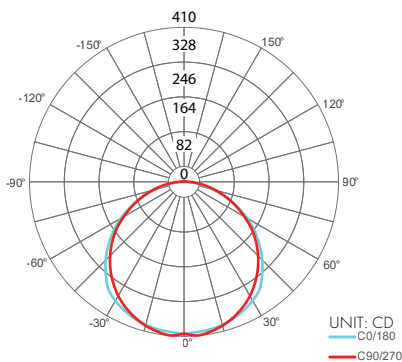
Zone	Lumen	% Fixture
0-30	814	44.65%
0-40	1130	61.98%
0-60	1594	87.40%
0-90	1798	98.58%
0-180	1823	100%

Total



KRS-48-72VHO-30K-F

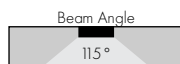
Kendo RS, 4ft, 3000K, VHO, Frosted Lens



Zonal Lumen Summary 3000K

Zone	Lumen	% Fixture
0-30	305	25.34%
0-40	506	42.06%
0-60	915	76.01%
0-90	1188	98.72%
0-180	1203	100%

Total



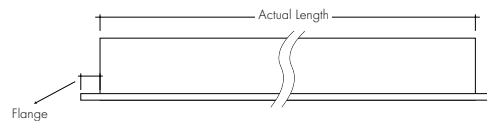
**Power Consumption**

Tested at Full Power with PS-UNI Series power supplies.

Standard Nominal Lengths offered provide minimal shadowing. For alternate lengths, please contact factory with specific request.

**High Color Quality (72)**

Nominal Length (in)	Actual Length	Watts			Nominal Length (in)	Actual Length	Watts			Nominal Length (in)	Actual Length	Watts			Nominal Length (in)	Actual Length	Watts		
		SO	HO	VHO			SO	HO	VHO			SO	HO	VHO			SO	HO	VHO
12	11 5/16	2.7	4.4	6.2	47	46 1/16	10.2	17.1	22.6	82	81 15/16	18.3	29.5	38.4	117	116 11/16	25.9	40.8	52.4
13	12 7/16	2.7	4.4	6.2	48	47 3/16	10.5	17.4	23.1	83	—	—	—	—	118	117 13/16	26.1	41.1	52.8
14	13 10/16	2.9	4.8	6.7	49	48 6/16	10.7	17.8	23.5	84	83 1/16	18.5	29.8	38.8	119	119	26.3	41.4	53.2
15	14 12/16	3.1	5.2	7.3	50	49 8/16	11.1	18.6	24.4	85	84 4/16	18.7	30.1	39.2	120	—	—	—	—
16	15 15/16	3.4	5.6	7.8	51	50 11/16	11.4	18.9	24.9	86	85 6/16	19.2	30.8	40.0	121	120 2/16	26.5	41.7	53.6
17	—	—	—	—	52	51 13/16	11.6	19.3	25.3	87	86 9/16	19.4	31.1	40.4	122	121 5/16	26.7	42.0	54.0
18	17 1/16	3.6	6.0	8.3	53	53	11.9	19.7	25.7	88	87 12/16	19.6	31.5	40.8	123	122 7/16	27.1	42.6	54.7
19	18 4/16	3.9	6.5	8.9	54	—	—	—	—	89	88 14/16	19.9	31.8	41.1	124	123 10/16	27.3	42.9	55.0
20	19 6/16	4.4	7.3	9.9	55	54 2/16	12.1	20.1	26.1	90	—	—	—	—	125	124 12/16	27.5	43.1	55.4
21	20 9/16	4.6	7.7	10.5	56	55 5/16	12.3	20.5	26.6	91	90 1/16	20.1	32.2	41.5	126	125 15/16	27.7	43.4	55.7
22	21 11/16	4.8	8.1	11.0	57	56 7/16	12.8	21.3	27.4	92	91 3/16	20.4	32.5	41.9	127	—	—	—	—
23	22 14/16	5.1	8.6	11.5	58	57 10/16	13.1	21.6	27.8	93	92 6/16	20.6	32.9	42.3	128	127 1/16	27.9	43.7	56.1
24	—	—	—	—	59	58 12/16	13.3	22.0	28.3	94	93 8/16	21.1	33.6	43.1	129	128 4/16	28.1	43.9	56.4
25	24 1/16	5.3	9.0	12.1	60	59 15/16	13.6	22.4	28.7	95	94 11/16	21.3	33.9	43.4	130	129 7/16	28.5	44.5	57.1
26	25 3/16	5.6	9.4	12.6	61	—	—	—	—	96	95 13/16	21.5	34.2	43.8	131	130 9/16	28.7	44.7	57.4
27	26 6/16	5.8	9.8	13.1	62	61 1/16	13.8	22.8	29.1	97	97	21.8	34.6	44.2	132	131 12/16	28.9	45.0	57.8
28	27 8/16	6.2	10.5	14.1	63	62 4/16	14.0	23.1	29.6	98	—	—	—	—	133	132 14/16	29.1	45.3	58.1
29	28 11/16	6.5	10.9	14.5	64	63 6/16	14.5	23.8	30.5	99	98 2/16	22.0	34.9	44.6	134	—	—	—	—
30	29 13/16	6.7	11.2	15.0	65	64 9/16	14.7	24.1	31.0	100	99 5/16	22.2	35.2	45.0	135	134 1/16	29.3	45.5	58.4
31	31	6.9	11.6	15.5	66	65 12/16	14.9	24.4	31.4	101	100 7/16	22.5	35.9	45.9	136	135 3/16	29.5	45.7	58.7
32	—	—	—	—	67	66 14/16	15.1	24.7	31.9	102	101 10/16	22.7	36.2	46.3	137	136 6/16	29.6	45.9	59.1
33	32 2/16	7.1	12.0	16.0	68	—	—	—	—	103	102 12/16	22.9	36.5	46.7	138	137 8/16	30.0	46.3	59.7
34	33 5/16	7.3	12.3	16.5	69	68 1/16	15.3	25.0	32.4	104	103 15/16	23.1	36.8	47.1	139	138 11/16	30.2	46.5	60.0
35	34 7/16	7.8	13.1	17.4	70	69 3/16	15.5	25.4	32.8	105	—	—	—	—	140	139 13/16	30.3	46.8	60.3
36	35 10/16	8.0	13.4	17.9	71	70 6/16	15.8	25.7	33.3	106	105 1/16	23.3	37.1	47.5	141	141	30.5	47.0	60.6
37	36 12/16	8.2	13.8	18.4	72	71 8/16	16.2	26.3	34.2	107	106 4/16	23.5	37.4	48.0	142	—	—	—	—
38	37 15/16	8.4	14.2	18.9	73	72 11/16	16.4	26.6	34.7	108	107 6/16	23.9	38.1	48.8	143	142 2/16	30.7	47.2	61.0
39	—	—	—	—	74	73 13/16	16.6	26.9	35.1	109	108 9/16	24.1	38.4	49.2	144	143 5/16	30.8	47.4	61.3
40	39 1/16	8.7	14.5	19.3	75	75	16.8	27.3	35.5	110	109 12/16	24.3	38.7	49.6					
41	40 4/16	8.9	14.9	19.8	76	—	—	—	—	111	110 14/16	24.5	39.0	50.0					
42	41 6/16	9.3	15.6	20.7	77	76 2/16	17.1	27.6	35.9	112	—	—	—	—					
43	42 9/16	9.6	16.0	21.2	78	77 5/16	17.3	27.9	36.3	113	112 1/16	24.8	39.3	50.4					
44	43 12/16	9.8	16.4	21.7	79	78 7/16	17.7	28.5	37.2	114	113 3/16	25.0	39.6	50.8					
45	44 14/16	10.0	16.7	22.1	80	79 10/16	17.9	28.9	37.6	115	114 6/16	25.2	39.9	51.2					
46	—	—	—	—	81	80 12/16	18.1	29.2	38.0	116	115 8/16	25.6	40.5	52.0					



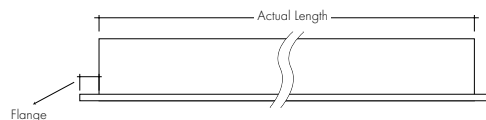
**Power Consumption**

Tested at Full Power with PS-UNI Series power supplies.

Standard Nominal Lengths offered provide minimal shadowing. For alternate lengths, please contact factory with specific request.

**High Efficacy (HE48)**

Nominal Length (in)	Actual Length	Watts				Nominal Length (in)	Actual Length	Watts				Nominal Length (in)	Actual Length	Watts				Nominal Length (in)	Actual Length	Watts			
		LO	SO	MO	HO			LO	SO	MO	HO			LO	SO	MO	HO			LO	SO	MO	HO
12	10 11/16	1.7	2.5	3.5	5.7	47	46 2/16	6.9	10.7	13.3	24.7	82	81 9/16	12.5	19.9	23.9	42.2	117	-	-	-	-	
13	12 11/16	1.7	2.5	3.5	5.7	48	-	-	-	-	-	83	-	-	-	-	-	118	117	17.5	27.7	34.3	58.7
14	-	-	-	-	-	49	48 2/16	7.1	11.2	13.9	25.4	84	83 9/16	12.8	20.3	24.5	43.1	119	119	17.8	28.1	34.9	59.6
15	14 10/16	2.0	3.0	4.0	7.2	50	-	-	-	-	-	85	-	-	-	-	-	120	-	-	-	-	-
16	-	-	-	-	-	51	50 1/16	7.4	11.7	14.5	26.3	86	85 8/16	13.1	20.8	25.1	44.1	121	120 15/16	18.1	28.6	35.5	60.5
17	16 10/16	2.4	3.5	4.6	8.7	52	-	-	-	-	-	87	-	-	-	-	-	122	-	-	-	-	-
18	-	-	-	-	-	53	52 1/16	7.7	12.3	15.1	27.4	88	87 8/16	13.4	21.3	25.7	45.0	123	122 15/16	18.3	29.0	36.0	62.1
19	18 9/16	2.7	3.9	5.2	10.2	54	-	-	-	-	-	89	-	-	-	-	-	124	-	-	-	-	-
20	-	-	-	-	-	55	54	8.0	12.9	15.7	28.5	90	89 7/16	13.7	21.7	26.3	46.0	125	124 14/16	18.4	29.5	36.6	63.8
21	20 9/16	3.0	4.4	5.8	11.7	56	56	8.4	13.5	16.4	29.5	91	-	-	-	-	-	126	-	-	-	-	-
22	-	-	-	-	-	57	-	-	-	-	-	92	91 7/16	14.0	22.1	26.9	47.0	127	126 14/16	18.6	29.9	37.2	65.4
23	22 8/16	3.4	4.9	6.4	13.2	58	57 15/16	8.7	14.0	17.0	30.6	93	-	-	-	-	-	128	-	-	-	-	-
24	-	-	-	-	-	59	-	-	-	-	-	94	93 6/16	14.3	22.6	27.5	47.9	129	128 13/16	18.8	30.4	37.7	67.0
25	24 8/16	3.7	5.4	7.0	14.7	60	59 15/16	9.0	14.6	17.6	31.6	95	-	-	-	-	-	130	-	-	-	-	-
26	-	-	-	-	-	61	-	-	-	-	-	96	95 6/16	14.4	22.8	27.8	48.4	131	130 13/16	18.9	30.8	38.3	68.6
27	26 7/16	4.1	5.9	7.5	15.8	62	61 14/16	9.4	15.2	18.2	32.6	97	-	-	-	-	-	132	-	-	-	-	-
28	-	-	-	-	-	63	-	-	-	-	-	98	97 5/16	14.7	23.3	28.5	49.4	133	132 12/16	19.1	31.2	38.9	70.2
29	28 7/16	4.4	6.4	8.1	16.8	64	63 14/16	9.7	15.6	18.7	33.7	99	-	-	-	-	-	134	-	-	-	-	-
30	-	-	-	-	-	65	-	-	-	-	-	100	99 5/16	15.0	23.7	29.0	50.4	135	134 12/16	19.3	31.8	39.4	70.7
31	30 6/16	4.8	6.9	8.7	17.9	66	65 13/16	10.0	16.1	19.2	34.7	101	-	-	-	-	-	136	-	-	-	-	-
32	-	-	-	-	-	67	-	-	-	-	-	102	101 4/16	15.3	24.1	29.6	51.3	137	136 11/16	19.5	32.3	40.0	71.2
33	32 6/16	5.0	7.2	9.0	18.5	68	67 13/16	10.4	16.5	19.8	35.7	103	-	-	-	-	-	138	-	-	-	-	-
34	-	-	-	-	-	69	-	-	-	-	-	104	103 4/16	15.6	24.6	30.2	52.3	139	138 11/16	19.8	32.8	40.6	71.8
35	34 5/16	5.4	7.7	9.6	19.5	70	69 12/16	10.7	17.0	20.3	36.7	105	-	-	-	-	-	140	-	-	-	-	-
36	-	-	-	-	-	71	-	-	-	-	-	106	105 3/16	15.8	25.0	30.7	53.2	141	140 10/16	20.0	33.3	41.1	72.3
37	36 5/16	5.7	8.2	10.2	20.6	72	71 12/16	11.0	17.4	20.8	37.7	107	-	-	-	-	-	142	-	-	-	-	-
38	-	-	-	-	-	73	-	-	-	-	-	108	107 3/16	16.1	25.5	31.3	54.2	143	142 10/16	20.2	33.9	41.7	72.8
39	38 4/16	6.0	8.7	10.8	21.5	74	73 11/16	11.3	17.9	21.4	38.7	109	-	-	-	-	-	144	-	-	-	-	-
40	-	-	-	-	-	75	-	-	-	-	-	110	109 2/16	16.4	25.9	31.9	55.2						
41	40 4/16	6.2	9.2	11.4	22.3	76	75 11/16	11.6	18.4	22.0	39.6	111	-	-	-	-	-						
42	-	-	-	-	-	77	-	-	-	-	-	112	111 2/16	16.7	26.4	32.5	56.1						
43	42 3/16	6.4	9.7	12.0	23.1	78	77 10/16	11.9	18.9	22.7	40.5	113	-	-	-	-	-						
44	-	-	-	-	-	79	-	-	-	-	-	114	113 1/16	17.0	26.8	33.1	57.0						
45	44 3/16	6.7	10.2	12.6	23.9	80	79 10/16	12.2	19.4	23.3	41.4	115	-	-	-	-	-						
46	-	-	-	-	-	81	-	-	-	-	-	116	115 1/16	17.3	27.3	33.7	57.9						



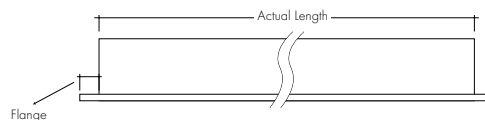
**Power Consumption**

Tested at Full Power with PS-UNI Series power supplies.

Standard Nominal Lengths offered provide minimal shadowing. For alternate lengths, please contact factory with specific request.

**High Efficacy (HE64)**

Nominal Length (in)	Actual Length	Watts	Nominal Length (in)	Actual Length	Watts	Nominal Length (in)	Actual Length	Watts	Nominal Length (in)	Actual Length	Watts
		VHO			VHO			VHO			VHO
<b>12</b>	11 8/16	7.6	<b>47</b>	46 5/16	28.2	<b>82</b>	81 2/16	50.4	<b>117</b>	—	—
<b>13</b>	13	7.6	<b>48</b>	47 13/16	29.5	<b>83</b>	82 10/16	51.7	<b>118</b>	117 8/16	72.8
<b>14</b>	—	—	<b>49</b>	—	—	<b>84</b>	—	—	<b>119</b>	119	73.3
<b>15</b>	14 8/16	8.9	<b>50</b>	49 5/16	30.1	<b>85</b>	84 3/16	52.3	<b>120</b>	—	—
<b>16</b>	—	—	<b>51</b>	50 14/16	31.4	<b>86</b>	85 11/16	53.6	<b>121</b>	120 8/16	74.4
<b>17</b>	16	9.5	<b>52</b>	—	—	<b>87</b>	—	—	<b>122</b>	—	—
<b>18</b>	17 9/16	10.7	<b>53</b>	52 6/16	32.0	<b>88</b>	87 3/16	54.2	<b>123</b>	122	74.8
<b>19</b>	—	—	<b>54</b>	53 14/16	33.3	<b>89</b>	88 11/16	55.5	<b>124</b>	123 8/16	75.6
<b>20</b>	19 1/16	11.4	<b>55</b>	—	—	<b>90</b>	—	—	<b>125</b>	—	—
<b>21</b>	20 9/16	12.6	<b>56</b>	55 6/16	34.0	<b>91</b>	90 3/16	56.2	<b>126</b>	125 1/16	76.0
<b>22</b>	—	—	<b>57</b>	56 14/16	35.2	<b>92</b>	91 12/16	57.5	<b>127</b>	126 9/16	76.8
<b>23</b>	22 1/16	13.2	<b>58</b>	—	—	<b>93</b>	—	—	<b>128</b>	—	—
<b>24</b>	23 9/16	14.5	<b>59</b>	58 7/16	36.5	<b>94</b>	93 4/16	58.2	<b>129</b>	128 1/16	77.2
<b>25</b>	—	—	<b>60</b>	59 15/16	37.2	<b>95</b>	94 12/16	59.5	<b>130</b>	129 9/16	78.0
<b>26</b>	25 2/16	15.1	<b>61</b>	—	—	<b>96</b>	—	—	<b>131</b>	—	—
<b>27</b>	26 10/16	16.4	<b>62</b>	61 7/16	38.4	<b>97</b>	96 4/16	60.1	<b>132</b>	131 2/16	78.4
<b>28</b>	—	—	<b>63</b>	62 15/16	39.1	<b>98</b>	97 13/16	61.4	<b>133</b>	132 10/16	79.2
<b>29</b>	28 2/16	17.0	<b>64</b>	—	—	<b>99</b>	—	—	<b>134</b>	—	—
<b>30</b>	29 10/16	18.2	<b>65</b>	64 8/16	40.4	<b>100</b>	99 5/16	62.0	<b>135</b>	134 2/16	79.6
<b>31</b>	—	—	<b>66</b>	66	41.0	<b>101</b>	100 13/16	63.2	<b>136</b>	135 10/16	80.3
<b>32</b>	31 3/16	18.9	<b>67</b>	—	—	<b>102</b>	—	—	<b>137</b>	—	—
<b>33</b>	32 11/16	20.1	<b>68</b>	67 8/16	42.3	<b>103</b>	102 5/16	63.8	<b>138</b>	137 2/16	80.6
<b>34</b>	—	—	<b>69</b>	—	—	<b>104</b>	103 13/16	65.0	<b>139</b>	138 11/16	81.3
<b>35</b>	34 3/16	20.7	<b>70</b>	69	42.9	<b>105</b>	—	—	<b>140</b>	—	—
<b>36</b>	35 11/16	22.0	<b>71</b>	70 8/16	44.2	<b>106</b>	105 6/16	65.6	<b>141</b>	140 3/16	81.7
<b>37</b>	—	—	<b>72</b>	—	—	<b>107</b>	106 14/16	66.8	<b>142</b>	141 11/16	82.4
<b>38</b>	37 3/16	22.6	<b>73</b>	72 1/16	44.9	<b>108</b>	—	—	<b>143</b>	—	—
<b>39</b>	38 12/16	23.9	<b>74</b>	73 9/16	46.1	<b>109</b>	108 6/16	67.4	<b>144</b>	143 3/16	82.7
<b>40</b>	—	—	<b>75</b>	—	—	<b>110</b>	109 14/16	68.5			
<b>41</b>	40 4/16	24.5	<b>76</b>	75 1/16	46.7	<b>111</b>	—	—			
<b>42</b>	41 12/16	25.7	<b>77</b>	76 9/16	48.0	<b>112</b>	111 7/16	69.6			
<b>43</b>	—	—	<b>78</b>	—	—	<b>113</b>	112 15/16	70.1			
<b>44</b>	43 4/16	26.4	<b>79</b>	78 2/16	48.6	<b>114</b>	—	—			
<b>45</b>	44 13/16	27.6	<b>80</b>	79 10/16	49.8	<b>115</b>	114 7/16	71.2			
<b>46</b>	—	—	<b>81</b>	—	—	<b>116</b>	115 15/16	71.7			





### Voltage Drop Calculator

The below chart assumes nominal voltage of 24 Volts and a Voltage Drop Allowance of 3% through the wire

Wattage [W]	Wire Length From Power Supply to Start of Run [ft]						
	12 AWG	14 AWG	16 AWG	18 AWG	20 AWG	22 AWG	24 AWG
<b>5</b>	1088.2	684.4	430.3	270.6	170.2	107.1	67.3
<b>10</b>	544.1	342.2	215.1	135.3	85.1	53.5	33.7
<b>15</b>	362.7	228.1	143.4	90.2	56.7	35.7	22.4
<b>20</b>	272.0	171.1	107.6	67.7	42.6	26.8	16.8
<b>25</b>	217.6	136.9	86.1	54.1	34.0	21.4	13.5
<b>30</b>	181.4	114.1	71.7	45.1	28.4	17.8	11.2
<b>35</b>	155.5	97.8	61.5	38.7	24.3	15.3	9.6
<b>40</b>	136.0	85.5	53.8	33.8	21.3	13.4	8.4
<b>45</b>	120.9	76.0	47.8	30.1	18.9	11.9	7.5
<b>50</b>	108.8	68.4	43.0	27.1	17.0	10.7	6.7
<b>55</b>	98.9	62.2	39.1	24.6	15.5	9.7	6.1
<b>60</b>	90.7	57.0	35.9	22.6	14.2	8.9	5.6
<b>65</b>	83.7	52.6	33.1	20.8	13.1	8.2	5.2
<b>70</b>	77.7	48.9	30.7	19.3	12.2	7.6	4.8
<b>75</b>	72.5	45.6	28.7	18.0	11.3	7.1	4.5
<b>80</b>	68.0	42.8	26.9	16.9	10.6	6.7	4.2
<b>85</b>	64.0	40.3	25.3	15.9	10.0	6.3	4.0
<b>90</b>	60.5	38.0	23.9	15.0	9.5	5.9	3.7
<b>96</b>	56.7	35.6	22.4	14.1	8.9	5.6	3.5

**Power Supplies**

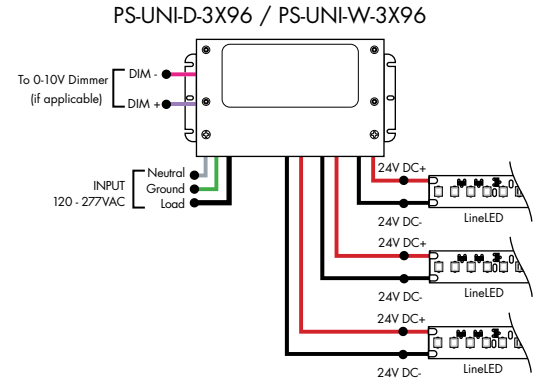
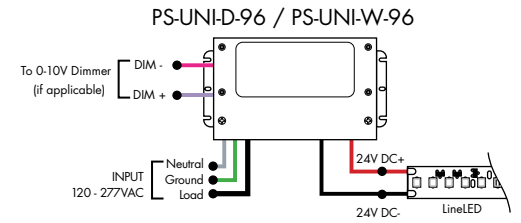
See Power Supply instructions and spec sheet for wiring information. For a complete list of compatible dimmers, see Compatible Dimming Chart on the Resources page.

**Ordering Code Universal Dimming Power Supplies 1% 120VAC - 277VAC**

MODEL	INPUT CONTROL	ENVIRONMENT	WATTAGE	OUTPUT
PS-Power Supply, 120-277VAC	UNI-0-10V Dimming, Phase Dimming	D-Dry W-Wet	30-30 Watts 60-60 Watts 96-96 Watts 3x96-3x96 Watts	24-24 VDC

Compatibility: View a complete list of compatible dimmers on product page [\(Link\)](#)

0-10V - 1% dimming  
MLV/ELV/TRIAC - 1% dimming, consult dimming compatibility chart



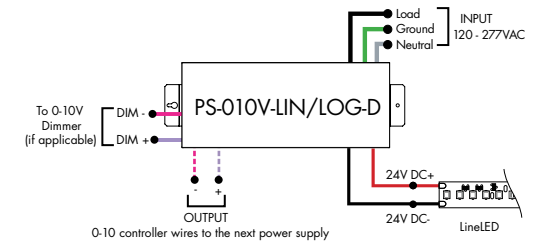
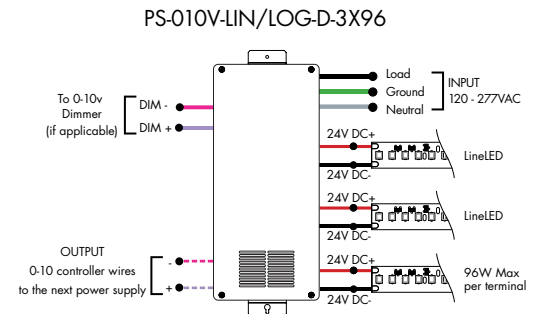
MODELS	PS-UNI-W-30W	PS-UNI-W-60W	PS-UNI-W-96W	PS-UNI-W-3X96W
<b>Length</b>	6.50"	7.40"	8.66"	11.85"
<b>Width</b>	3.73"	3.73"	3.73"	4.32"
<b>Depth</b>	1.61"	1.61"	1.61"	1.81"

MODELS	PS-UNI-D-30W	PS-UNI-D-60W	PS-UNI-D-96W	PS-UNI-D-3X96W
<b>Length</b>	8.77"	8.77"	8.11"	9.94"
<b>Width</b>	4.27"	4.27"	5.60"	7.61"
<b>Depth</b>	1.83"	1.83"	1.83"	2.02"

**Ordering Code 0-10V Dimming Power Supplies 0.1% 120VAC - 277VAC**

MODEL	INPUT CONTROL	ENVIRONMENT	WATTAGE	OUTPUT
PS-Power Supply, 120-277VAC	010V-LIN-0-10V Dimming (0.1%), Linear 010V-LOG-0-10V Dimming (0.1%), Logarithmic	D-Dry	96-96 Watts 3X96-3x96 Watts	24-24 VDC

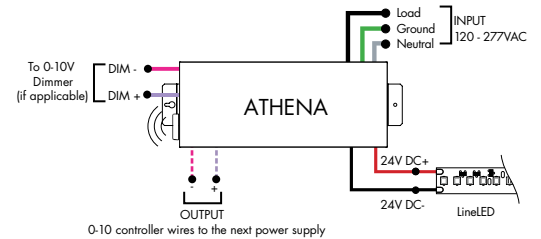
MODELS	96W	3X96
<b>Length</b>	14.40"	15.00"
<b>Width</b>	5.20"	6.62"
<b>Depth</b>	2.60"	4.45"



**Athena 0-10V LED Driver**

MODEL	INPUT CONTROL	ENVIRONMENT	WATTAGE	OUTPUT	FEATURE
PS-Power Supply, 120-277VAC	010V-LIN-0-10V Dimming, Linear 010V-LOG-0-10V Dimming, Logarithmic	D-Dry	96-96 W	24-24 VDC	AWNR-Athena

MODELS	96W
<b>Length</b>	14.40"
<b>Width</b>	5.20"
<b>Depth</b>	2.60"



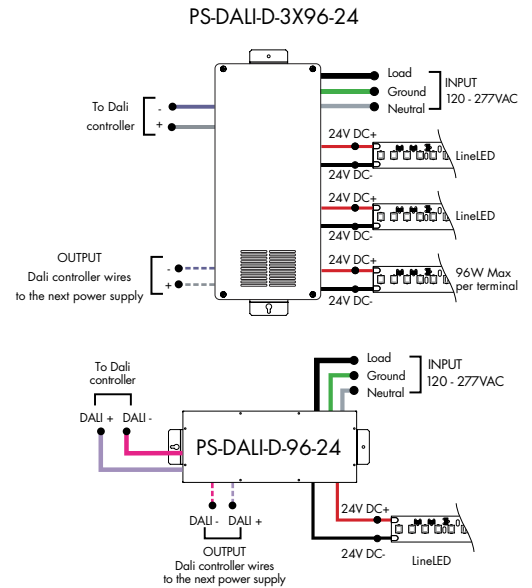
**Power Supplies**

See Power Supply instructions and spec sheet for wiring information. For a complete list of compatible dimmers, see Compatible Dimming Chart on the Resources page.

**Ordering Code DALI Dimming Power Supplies 0.1% 120VAC - 277VAC**

MODEL	INPUT CONTROL	ENVIRONMENT	WATTAGE	OUTPUT
PS-Power Supply, 120-277VAC	DALI-DALI (0.1%)	D-Dry	96-96 Watts 3X96-3X96 Watts	24-24 VDC

Model	96W	3X96
Length	14.40"	15.00"
Width	5.20"	6.62"
Depth	2.60"	4.56"

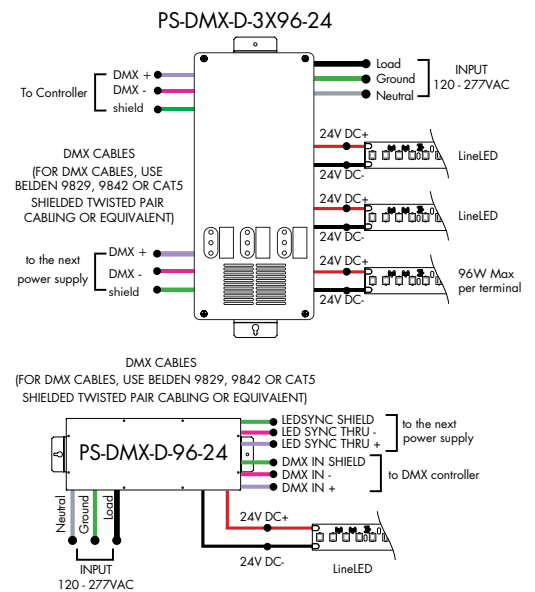


**Ordering Code DMX Dimming Power Supplies 0.1% 120VAC - 277VAC** Requires Zonal Control

MODEL	INPUT CONTROL	ENVIRONMENT	WATTAGE	OUTPUT
PS-Power Supply, 120-277VAC	DMX-DMX (0.1%)	D-Dry	96-96 Watts 3X96-3X96 Watts	24-24 VDC

\*Zonal control power supplies. Control multiple tapes/zones using DMX channels.

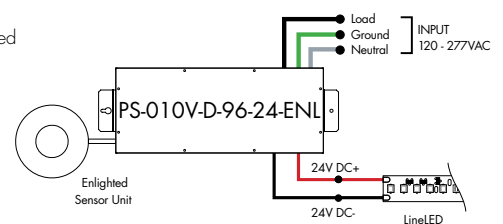
MODELS	96W	3X96
Length	14.40"	15.00"
Width	5.20"	6.62"
Depth	2.60"	4.56"



**Ordering Code Enlightened Enabled Dimming Power Supplies 1% 120VAC - 277VAC**

MODEL	INPUT CONTROL	ENVIRONMENT	WATTAGE	OUTPUT	FEATURE
PS-Power Supply, 120-277VAC	010V-0-10V Dimming (1%)	D-Dry	96-96 Watts	24-24 VDC	ENL-0-10V Enlightened

Model	96W
Length	14.40"
Width	5.20"
Depth	2.60"

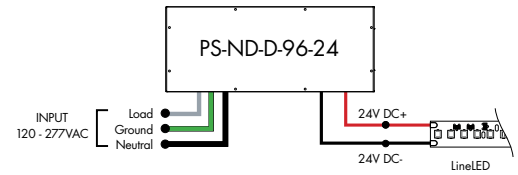


### Power Supplies

See Power Supply instructions and spec sheet for wiring information. For a complete list of compatible dimmers, see Compatible Dimming Chart on the Resources page.

#### Ordering Code Non-Dimming Power Supply 120VAC - 277VAC

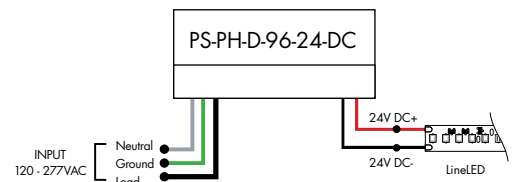
MODEL	INPUT CONTROL	ENVIRONMENT	WATTAGE	OUTPUT
PS - Power Supply, 120-277VAC	ND - Non Dimming	D - Dry	96-96 Watts	24 - 24 VDC



MODELS	96W
Length	14.40"
Width	5.20"
Depth	2.60"

#### Ordering Code Phase Dimming Power Supply 1% 120VAC - 277VAC

MODEL	INPUT CONTROL	ENVIRONMENT	WATTAGE	OUTPUT	OUTPUT CONTROL
PS - Power Supply, 120-277VAC	PH - Phase Dimming (Triac, ELV, MLV)	D - Dry	96 - 96 Watts	24 - 24 VDC	DC - Direct Current



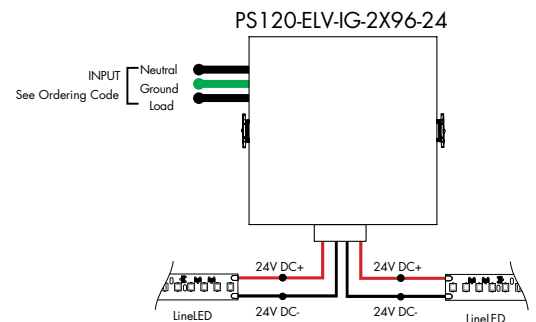
MLV/ELV/TRIAC - 1% dimming, consult dimming compatibility chart ([link](#))

NOTE:  
OVER THE WHITE, GREEN, AND BLACK WIRES,  
CONNECT TO ELV OR MLV DIMMER

MODELS	96W
Length	8.25"
Width	4.10"
Depth	1.56"

#### Ordering Code In-Ground Power Supplies

MODEL	INPUT CONTROL	ENVIRONMENT	WATTAGE	OUTPUT
PS120 - Power Supply, 120VAC PS240 - Power Supply, 240VAC PS277 - Power Supply, 277VAC	ELV - ELV Dimming (1%)	IG - In Ground	2X96 - 2X96 Watts	24 - 24 VDC



MODELS	2X96W
Length	8.40"
Width	8.30"
Depth	8.10"

**Power Supplies**

See Power Supply instructions and spec sheet for wiring information. For a complete list of compatible dimmers, see Compatible Dimming Chart on the Resources page.



Luminii is a Lutron OEM Advantage Partner

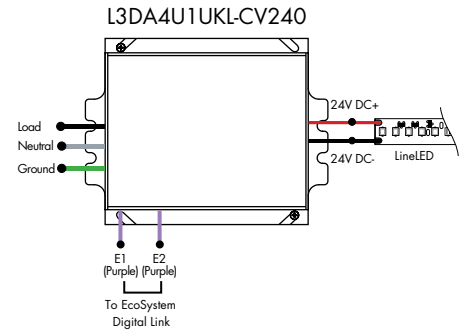
**Lutron Power Supplies 1%**

MODEL

**L3DA4U1UKL-CV240**

HiLume™ 1% EcoSystem Voltage LED driver  
40W max

MODELS	L3DA4U1UKL-CV240
<b>Length</b>	4.98"
<b>Width</b>	4.00"
<b>Depth</b>	2.62"



Luminii is a Lutron OEM Advantage Partner

**Lutron Power Supplies 0.1%**

MODEL

**L3D0-96W24V-U**

HiLume™ 0.1% EcoSystem Voltage LED Driver with Soft-On, Fade-to-Black™  
96W max

MODELS	L3D0
<b>Length</b>	10.50"
<b>Width</b>	5.50"
<b>Depth</b>	2.00"

