

# Kendo RS, RM, RL, & RXL - Installation Instructions

Models KRS-XX, KRM-XX, KRL-XX, & KRXL-XX



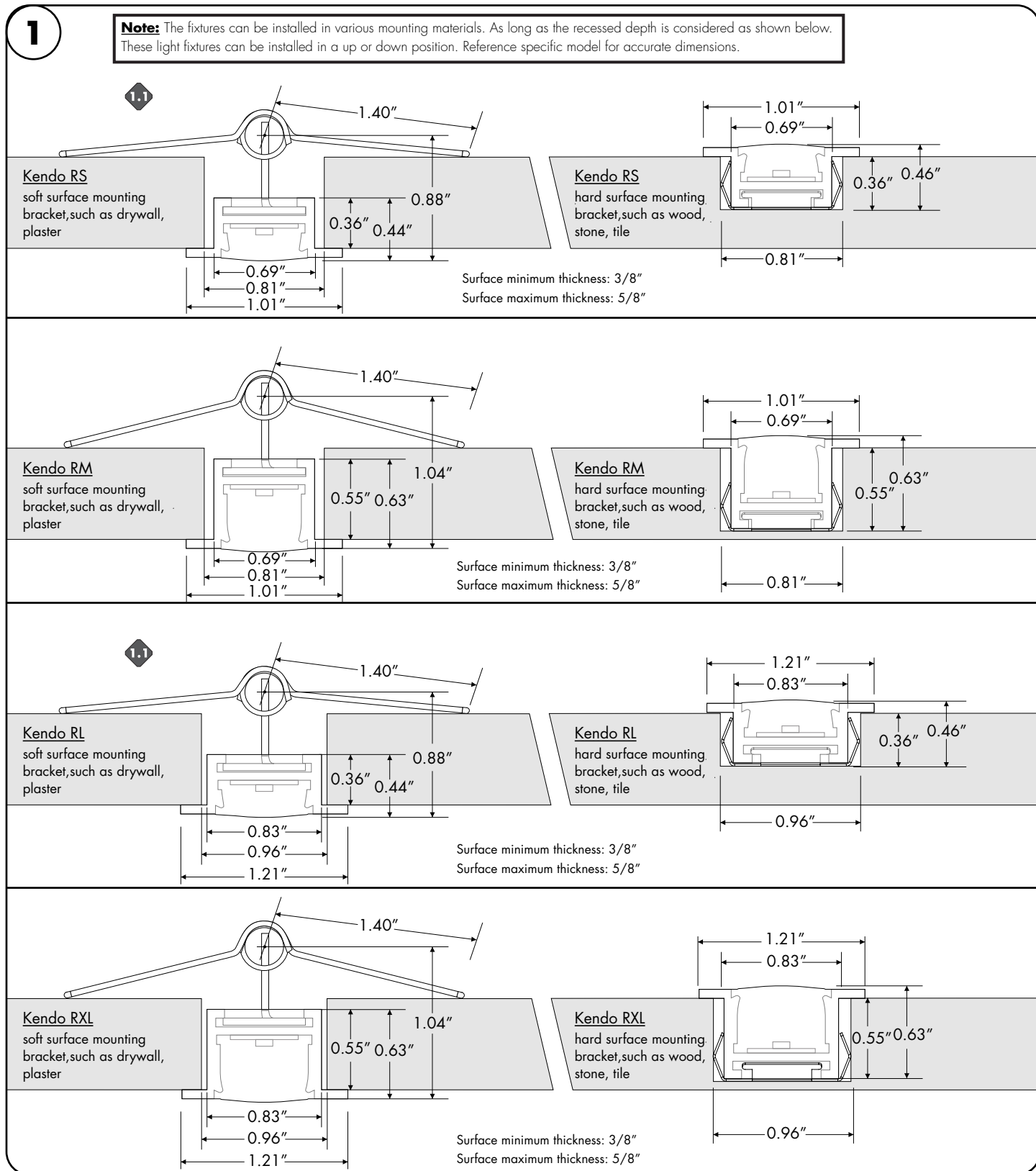
7777 Merrimac Ave  
Niles, IL 60714  
T 224.333.6033  
F 224.757.7557  
info@luminii.com  
www.luminii.com

REVO.2  
12312024

1 / 4

Please read all instructions prior to installation and keep for future reference!

1. PRODUCT TO BE INSTALLED BY A QUALIFIED ELECTRICIAN.
2. USE ONLY WITH CLASS 2 POWER UNIT.
3. 24 VOLTS DC.
4. SUITABLE FOR DAMP LOCATIONS.
5. WALL MOUNT ONLY
6. SUITABLE FOR INSTALLATION WITHIN THE CLOSET STORAGE SPACE.
7. TYPE IC (CEILING & WALL).
8. SUITABLE FOR GROUND MOUNTED-RECESSED, ACCESS ABOVE CEILING REQUIRED.
9. FIXTURE SHOULD BE INSTALLED BY TWO PEOPLE.



# Kendo RS, RM, RL, & RXL - Installation Instructions

Models KRS-XX, KRM-XX, KRL-XX, & KRXL-XX



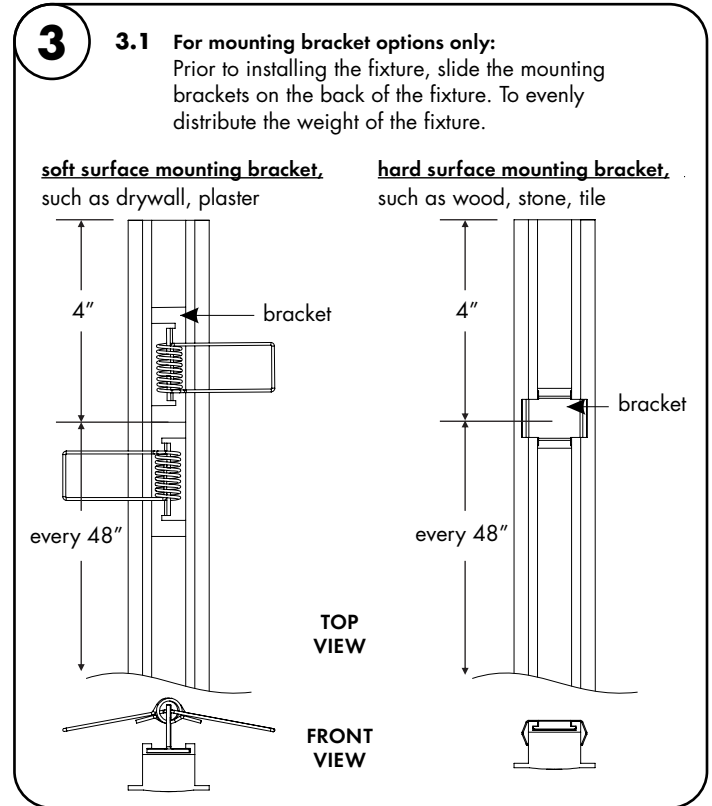
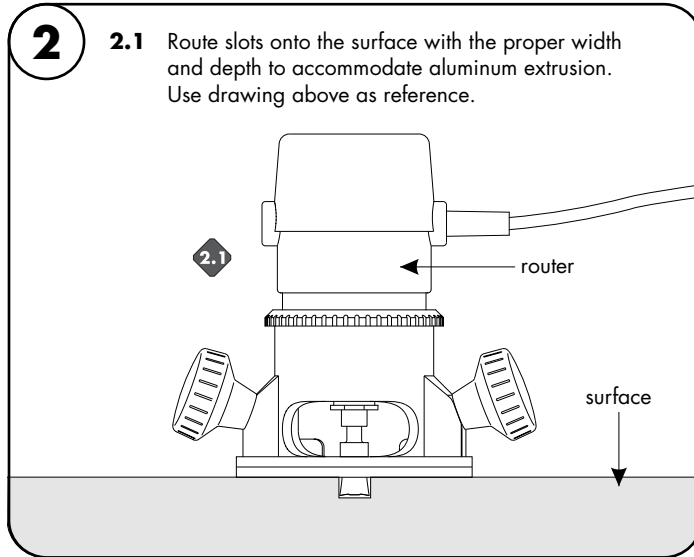
7777 Merrimac Ave  
Niles, IL 60714  
T 224.333.6033  
F 224.757.7557  
info@luminii.com  
www.luminii.com

REVO.2  
12312024

2 / 4

**Please read all instructions prior to installation and keep for future reference!**

1. PRODUCT TO BE INSTALLED BY A QUALIFIED ELECTRICIAN.
2. USE ONLY WITH CLASS 2 POWER UNIT.
3. 24 VOLTS DC.
4. SUITABLE FOR DAMP LOCATIONS.
5. WALL MOUNT ONLY
6. SUITABLE FOR INSTALLATION WITHIN THE CLOSET STORAGE SPACE.
7. TYPE IC (CEILING & WALL).
8. SUITABLE FOR GROUND MOUNTED-RECESSED, ACCESS ABOVE CEILING REQUIRED.
9. FIXTURE SHOULD BE INSTALLED BY TWO PEOPLE.



# Kendo RS, RM, RL, & RXL - Installation Instructions

Models KRS-XX, KRM-XX, KRL-XX, & KRXL-XX



7777 Merrimac Ave  
Niles, IL 60714  
T 224.333.6033  
F 224.757.7557  
info@luminii.com  
www.luminii.com

REVO.2  
12312024

3 / 4

Please read all instructions prior to installation and keep for future reference!

1. PRODUCT TO BE INSTALLED BY A QUALIFIED ELECTRICIAN.
2. USE ONLY WITH CLASS 2 POWER UNIT.
3. 24 VOLTS DC.
4. SUITABLE FOR DAMP LOCATIONS.
5. WALL MOUNT ONLY
6. SUITABLE FOR INSTALLATION WITHIN THE CLOSET STORAGE SPACE.
7. TYPE IC (CEILING & WALL).
8. SUITABLE FOR GROUND MOUNTED-RECESSED, ACCESS ABOVE CEILING REQUIRED.
9. FIXTURE SHOULD BE INSTALLED BY TWO PEOPLE.

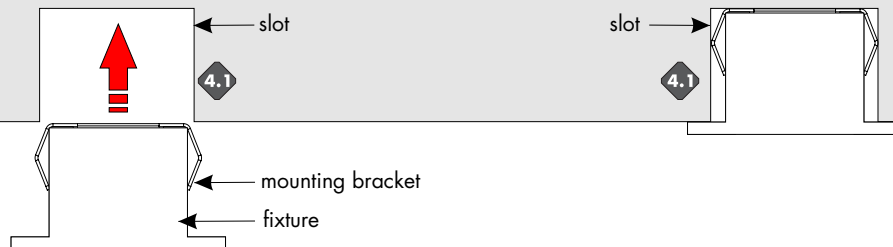
## 4

**Note:** Fixture wires must be considered, prior to installing. Reference wiring diagram for additional information on step 5.

**Note:** Follow one of the three mounting options, to properly install fixture.

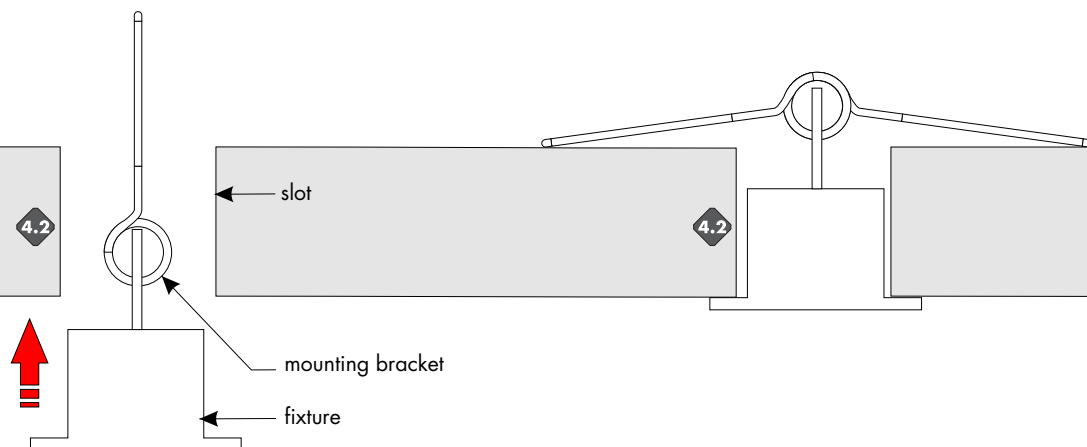
**4.1 For hard surface mounting bracket option:** Align the mounting brackets to the cutout slot, then carefully push the fixture completely inside to the slot to secure.

**HS mounting:**  
Hard surface  
mounting bracket



**4.2 For soft surface mounting bracket option:** Bend the adjustable springs to a straight position, followed by pushing the fixture completely inside the cutout slot. Then release the springs to secure.

**GS mounting:**  
Gypsum surface  
mounting bracket



**4.3 For no surface mounting bracket option:** Apply construction adhesive to the bottom of the cutout slot, then place fixture onto adhesive to secure

**NB mounting:**  
No bracket  
mounting



# Kendo RS, RM, RL, & RXL - Installation Instructions

Models KRS-XX, KRM-XX, KRL-XX, & KRXL-XX



7777 Merrimac Ave  
Niles, IL 60714  
T 224.333.6033  
F 224.757.7557  
info@luminii.com  
www.luminii.com

REVO.2  
12312024

4 / 4

**Please read all instructions prior to installation and keep for future reference!**

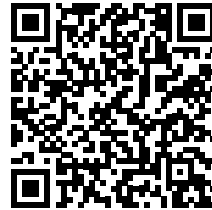
1. PRODUCT TO BE INSTALLED BY A QUALIFIED ELECTRICIAN.
2. USE ONLY WITH CLASS 2 POWER UNIT.
3. 24 VOLTS DC.
4. SUITABLE FOR DAMP LOCATIONS.
5. WALL MOUNT ONLY
6. SUITABLE FOR INSTALLATION WITHIN THE CLOSET STORAGE SPACE.
7. TYPE IC (CEILING & WALL).
8. SUITABLE FOR GROUND MOUNTED-RECESSED, ACCESS ABOVE CEILING REQUIRED.
9. FIXTURE SHOULD BE INSTALLED BY TWO PEOPLE.

## Power Supply Wiring Diagram

**Note:** Prior to installation all 24VDC wires must be present near fixture. Refer to the power supply installation instructions for additional information.



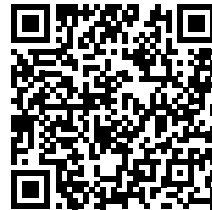
Static White  
Wiring Diagram PDF



RGB/RGBW  
Wiring Diagram PDF



Warm Dim  
Wiring Diagram PDF



Pixel  
Wiring Diagram PDF



Tunable White  
Wiring Diagram PDF