

Kendo M Graze - Installation Instructions

Models KMG



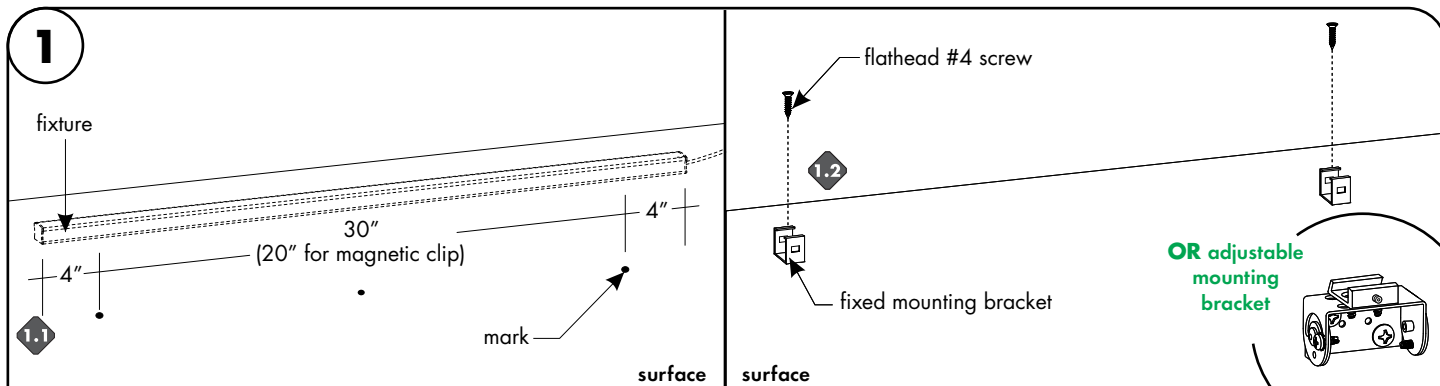
7777 Merrimac Ave
Niles, IL 60714
T 224.333.6033
F 224.757.7557
info@luminii.com
www.luminii.com

REVO.8
12302024

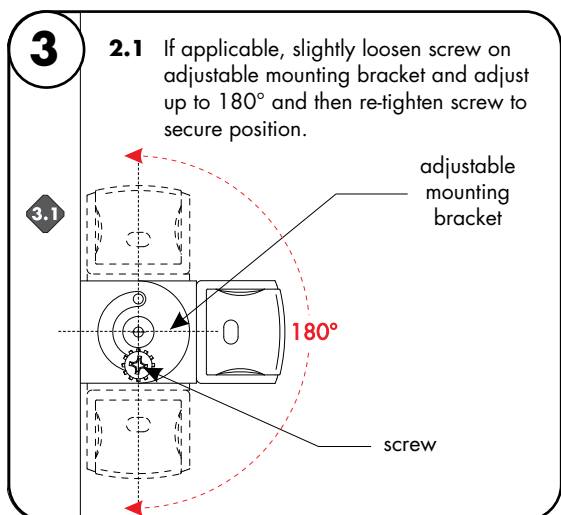
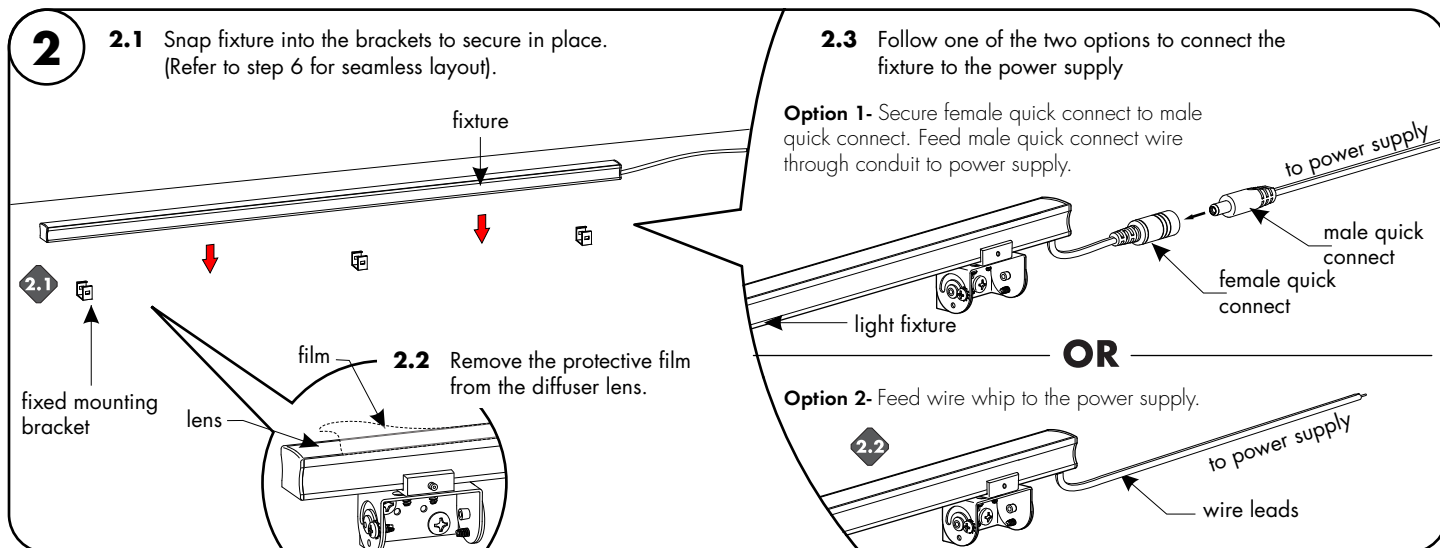
1 / 4

Please read all instructions prior to installation and keep for future reference!

1. PRODUCT TO BE INSTALLED BY A QUALIFIED ELECTRICIAN.
2. USE ONLY WITH CLASS 2 POWER UNIT
3. 24 VOLTS DC
4. SUITABLE FOR WET LOCATIONS
5. SURFACE MOUNT ONLY
6. SUITABLE FOR INSTALLATION WITHIN THE CLOSET STORAGE SPACE.
7. FIXTURE SHOULD BE INSTALLED BY TWO PEOPLE.



- 1.1** Determine the location of where the fixture(s) will be installed. Lay the fixture(s) on the surface, and make reference marks for the mounting brackets. Make marks 4" from each end of the fixture(s) and also every 30" (20" if using magnetic mounting clips) in between. (Refer to step 6 for seamless layout, must be ordered as seamless version to work properly).
- 1.2** Lay the fixed or adjustable mounting bracket (depends on model ordered) onto the mark points and secure using the provided hardware.



Kendo M Graze - Installation Instructions

Models KMG



7777 Merrimac Ave
Niles, IL 60714
T 224.333.6033
F 224.757.7557
info@luminii.com
www.luminii.com

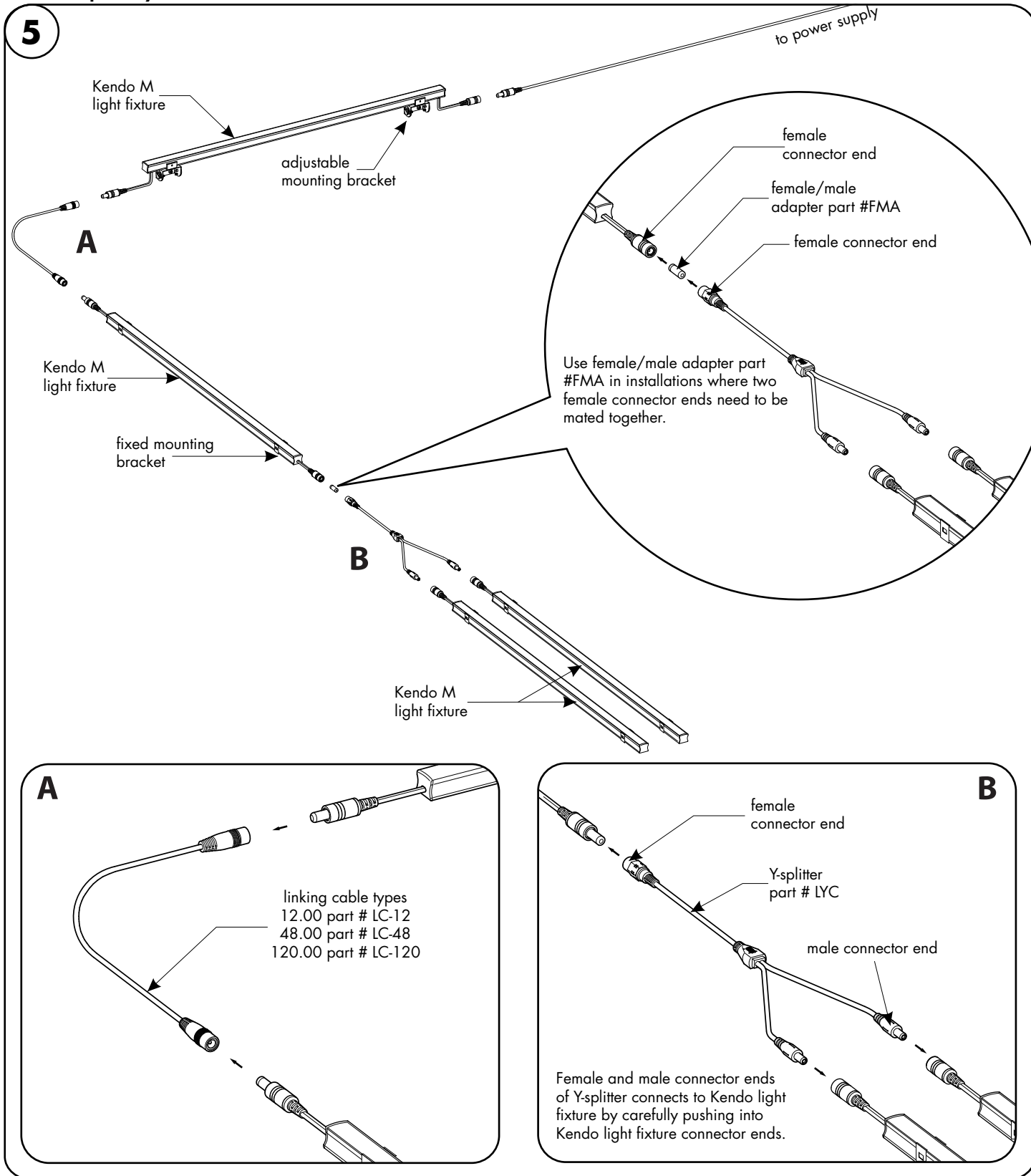
REVO.8
12302024

2 / 4

Please read all instructions prior to installation and keep for future reference!

1. PRODUCT TO BE INSTALLED BY A QUALIFIED ELECTRICIAN.
2. USE ONLY WITH CLASS 2 POWER UNIT
3. 24 VOLTS DC
4. SUITABLE FOR WET LOCATIONS
5. SURFACE MOUNT ONLY
6. SUITABLE FOR INSTALLATION WITHIN THE CLOSET STORAGE SPACE.
7. FIXTURE SHOULD BE INSTALLED BY TWO PEOPLE.

Kilo sample layout



Kendo M Graze - Installation Instructions

Models KMG



7777 Merrimac Ave
Niles, IL 60714
T 224.333.6033
F 224.757.7557
info@luminii.com
www.luminii.com

REVO.8
12302024

3 / 4

Please read all instructions prior to installation and keep for future reference!

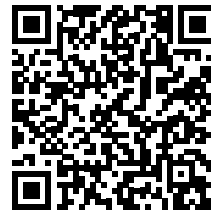
1. PRODUCT TO BE INSTALLED BY A QUALIFIED ELECTRICIAN.
2. USE ONLY WITH CLASS 2 POWER UNIT
3. 24 VOLTS DC
4. SUITABLE FOR WET LOCATIONS
5. SURFACE MOUNT ONLY
6. SUITABLE FOR INSTALLATION WITHIN THE CLOSET STORAGE SPACE.
7. FIXTURE SHOULD BE INSTALLED BY TWO PEOPLE.

Power Supply Wiring Diagram

Note: Prior to installation all 24VDC wires must be present near fixture. Refer to the power supply installation instructions for additional information.



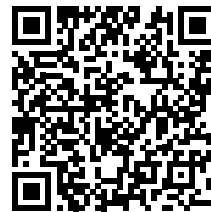
Static White
Wiring Diagram PDF



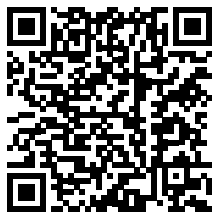
RGB/RGBW
Wiring Diagram PDF



Warm Dim
Wiring Diagram PDF



Pixel
Wiring Diagram PDF



Tunable White
Wiring Diagram PDF

Kendo M Graze - Installation Instructions

Models KMG



7777 Merrimac Ave
Niles, IL 60714
T 224.333.6033
F 224.757.7557
info@luminii.com
www.luminii.com

Please read all instructions prior to installation and keep for future reference!

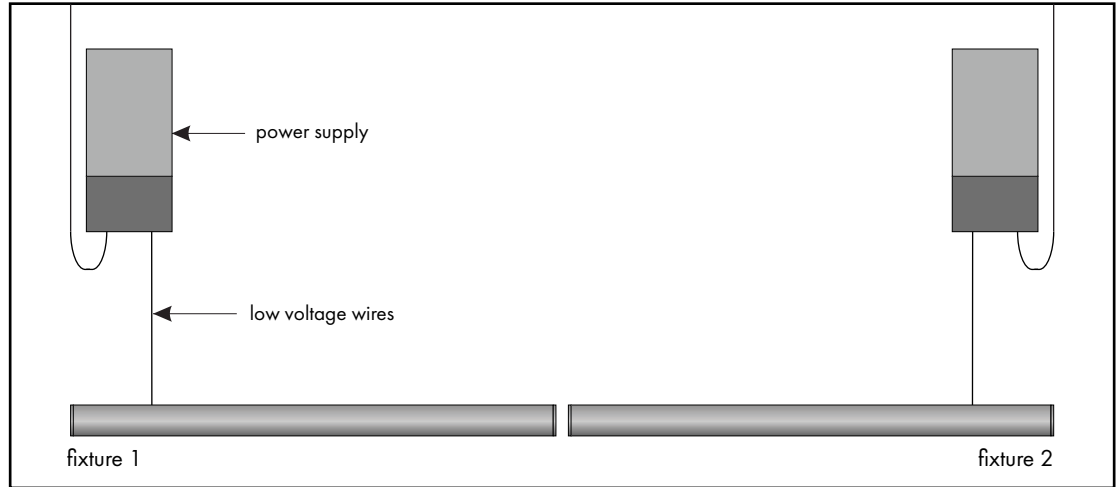
1. PRODUCT TO BE INSTALLED BY A QUALIFIED ELECTRICIAN.
2. USE ONLY WITH CLASS 2 POWER UNIT
3. 24 VOLTS DC
4. SUITABLE FOR WET LOCATIONS
5. SURFACE MOUNT ONLY
6. SUITABLE FOR INSTALLATION WITHIN THE CLOSET STORAGE SPACE.
7. FIXTURE SHOULD BE INSTALLED BY TWO PEOPLE.

REVO.8
12302024

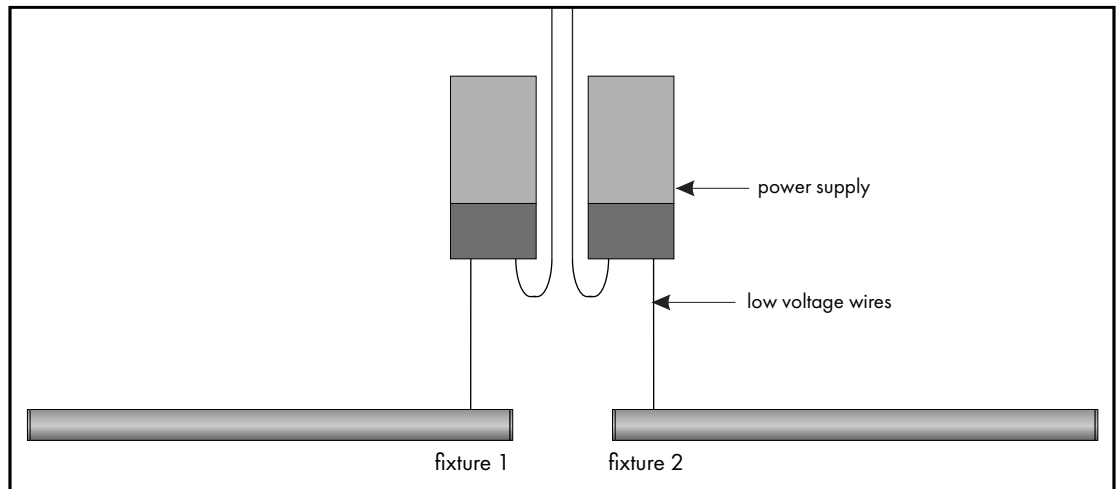
4 / 4

Multiple powerfeed layouts

power supplies at the end of the run



power supplies in the middle of the run



consecutive layout, NOT RECOMMENDED

