

Kendo Closet Rod - Installation Instructions

Models KCR

Please read all instructions prior to installation and keep for future reference!

1. PRODUCT TO BE INSTALLED BY A QUALIFIED ELECTRICIAN.
2. MUST BE INSTALLED PER NFPA 70, ARTICLE 410.16.
3. PRIOR TO INSTALLATION ENSURE POWER IS OFF AT FUSE BOX TO PREVENT ELECTRICAL SHOCK
4. DAMP LOCATIONS ONLY
5. USE ONLY WITH CLASS 2 POWER UNIT
6. SUITABLE FOR INSTALLATION WITHIN THE CLOSET STORAGE SPACE.
7. FIXTURE SHOULD BE INSTALLED BY TWO PEOPLE.

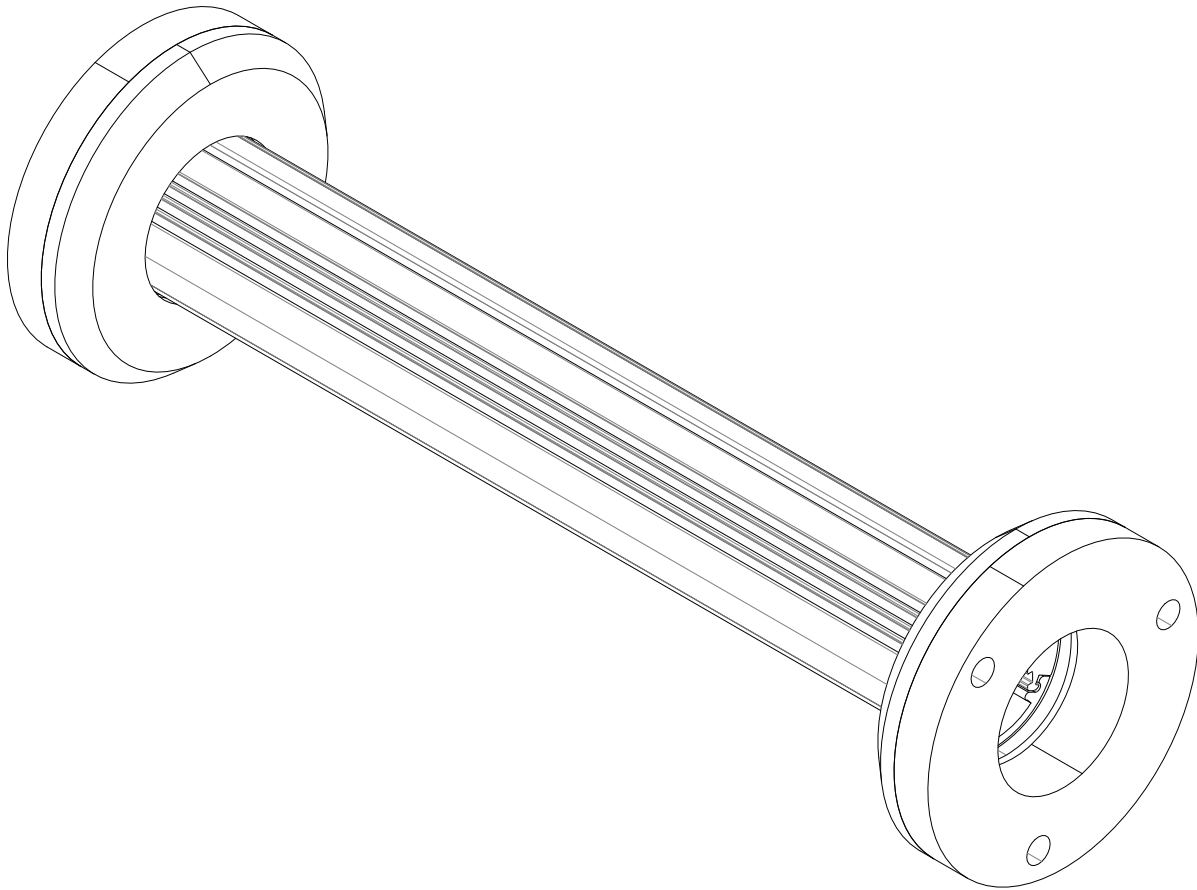


REVO.8
12302024

1 / 4



7777 Merrimac Ave
Niles, IL 60714
T 224.333.6033
F 224.757.7557
info@luminii.com
www.luminii.com



Kendo Closet Rod - Installation Instructions

Models KCR



7777 Merrimac Ave
Niles, IL 60714
T 224.333.6033
F 224.757.7557
info@luminii.com
www.luminii.com

REVO.8
12302024

2 / 4

Please read all instructions prior to installation and keep for future reference!

1. PRODUCT TO BE INSTALLED BY A QUALIFIED ELECTRICIAN.
2. MUST BE INSTALLED PER NFPA 70, ARTICLE 410.16.
3. PRIOR TO INSTALLATION ENSURE POWER IS OFF AT FUSE BOX TO PREVENT ELECTRICAL SHOCK
4. DAMP LOCATIONS ONLY
5. USE ONLY WITH CLASS 2 POWER UNIT
6. SUITABLE FOR INSTALLATION WITHIN THE CLOSET STORAGE SPACE.
7. FIXTURE SHOULD BE INSTALLED BY TWO PEOPLE.

1 support bracket
extrusion

every 20"

mounting end cap

1.3
extrusion

1.1 Slide the support brackets into the Kendo Closet Rod extrusion. Must be installed every 20" for proper weight support distribution.

1.2 Carefully remove the protective film from the diffuser.

1.3 Push the mounting end cap onto each Kendo Closet Rod extrusion end.

OPTIONAL: 0.5" of space is available on both sides of the LED for field cutting the extrusion to size

2

0.5"

0.5" of space on both sides of the LED for field cutting the extrusion

LED lead wires

Wooden blocking and/or framing

Mounting surface

2.1 Run the lead wires (or DC quick connect cable) through opening in mounting surface to the remote power supply.

2.2 *Mounting surface must be flat and structurally sound.* Secure each support bracket into the mounting surface with the appropriate hardware every 20". *Diffuser lens must be in the down position.*

2.3 Remove the covers on each mounting endcap, orientate two of the three mounting holes in the up position. Followed by securing each endcap into the surface. Using the appropriate hardware.

3a

Class II power supply

120 VAC

24 VDC

power to 24 VDC Kendo Closet Rod light fixture

Lead wire power feed

3a Ensure power is off to power supply! Then proceed to connect Kendo Closet Rod LED lead wires to power supply. For wiring instructions please refer to power supply wiring instructions.

See page 2 - step 3b - for quick connect power feeding

Kendo Closet Rod - Installation Instructions

Models KCR



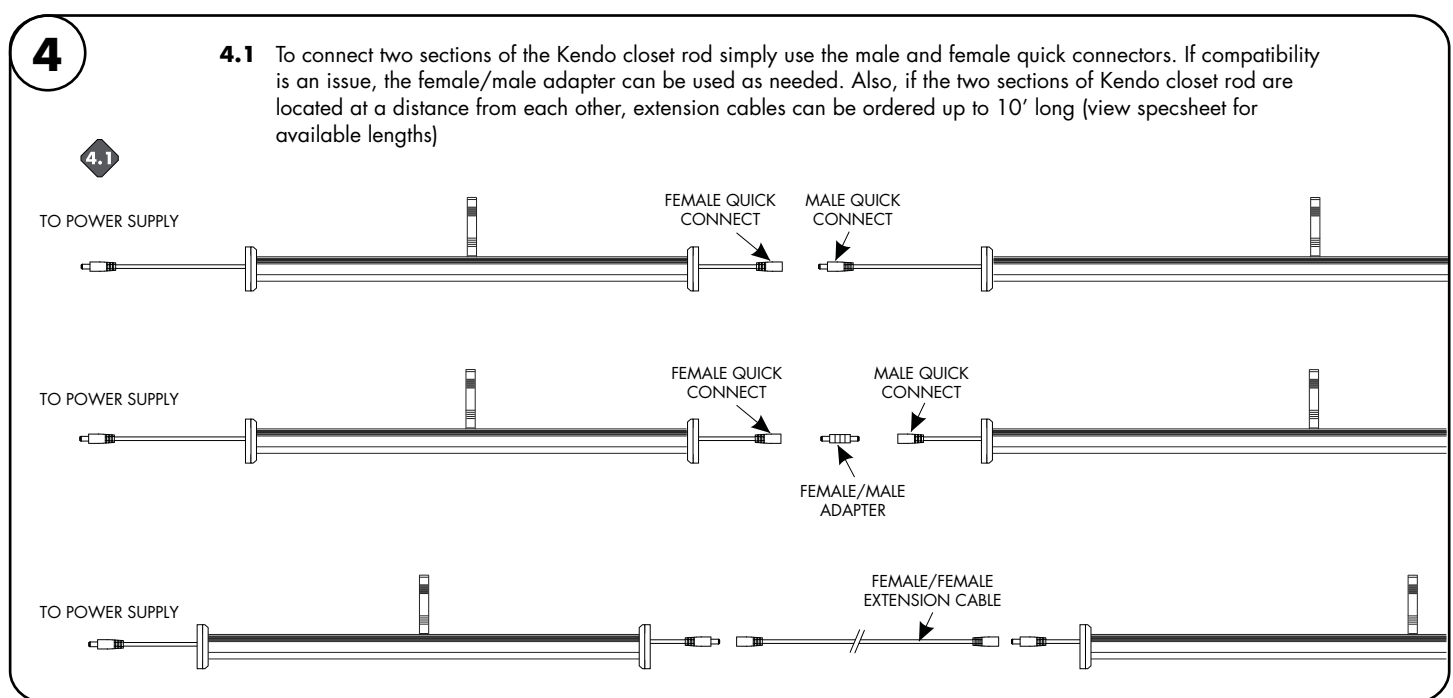
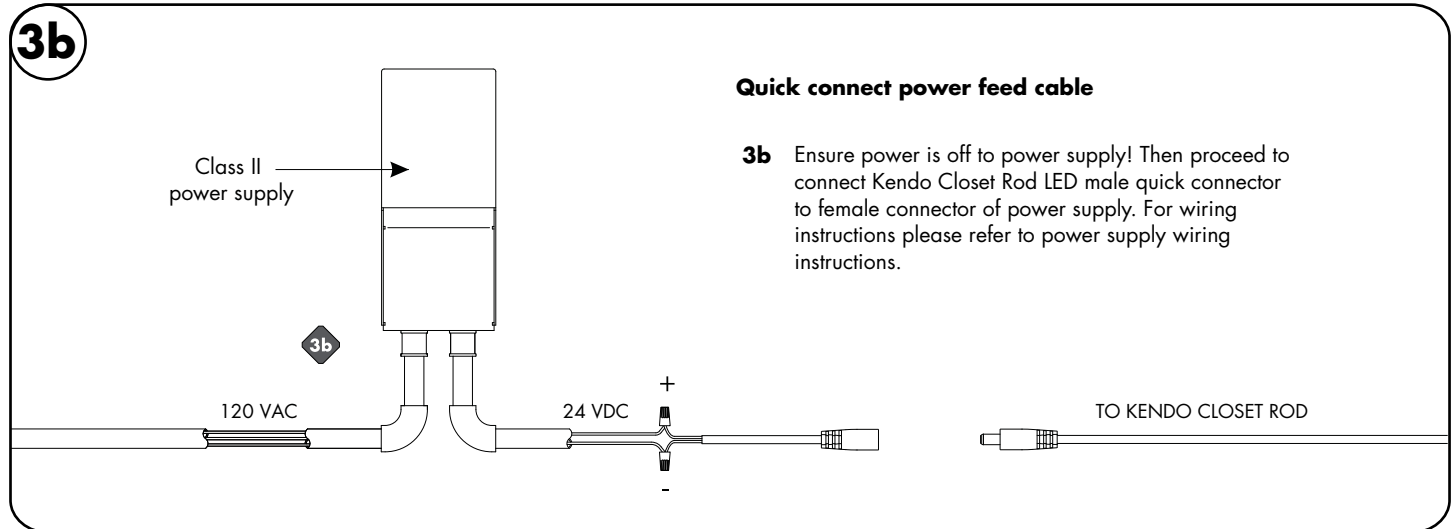
7777 Merrimac Ave
Niles, IL 60714
T 224.333.6033
F 224.757.7557
info@luminii.com
www.luminii.com

REVO.8
12302024

3 / 4

Please read all instructions prior to installation and keep for future reference!

1. PRODUCT TO BE INSTALLED BY A QUALIFIED ELECTRICIAN.
2. MUST BE INSTALLED PER NFPA 70, ARTICLE 410.16.
3. PRIOR TO INSTALLATION ENSURE POWER IS OFF AT FUSE BOX TO PREVENT ELECTRICAL SHOCK
4. DAMP LOCATIONS ONLY
5. USE ONLY WITH CLASS 2 POWER UNIT
6. SUITABLE FOR INSTALLATION WITHIN THE CLOSET STORAGE SPACE.
7. FIXTURE SHOULD BE INSTALLED BY TWO PEOPLE.



Kendo Closet Rod - Installation Instructions

Models KCR

Please read all instructions prior to installation and keep for future reference!

1. PRODUCT TO BE INSTALLED BY A QUALIFIED ELECTRICIAN.
2. MUST BE INSTALLED PER NFPA 70, ARTICLE 410.16.
3. PRIOR TO INSTALLATION ENSURE POWER IS OFF AT FUSE BOX TO PREVENT ELECTRICAL SHOCK
4. DAMP LOCATIONS ONLY
5. USE ONLY WITH CLASS 2 POWER UNIT
6. SUITABLE FOR INSTALLATION WITHIN THE CLOSET STORAGE SPACE.
7. FIXTURE SHOULD BE INSTALLED BY TWO PEOPLE.



REVO.8
12302024

4 / 4



7777 Merrimac Ave
Niles, IL 60714
T 224.333.6033
F 224.757.7557
info@luminii.com
www.luminii.com

Power Supply Wiring Diagram

Note: Prior to installation all 24VDC wires must be present near fixture. Refer to the power supply installation instructions for additional information.



Static White
Wiring Diagram PDF