

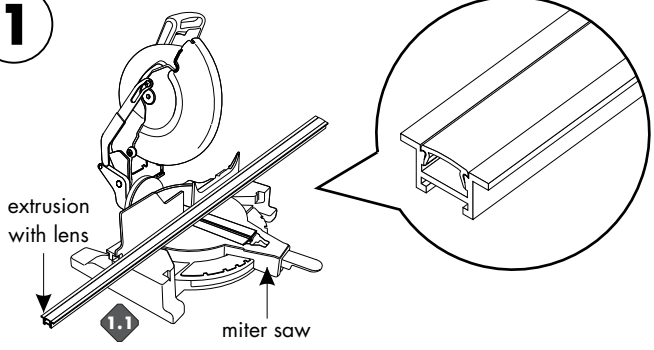
KRS, KRM, KRL & KRXL Channel - Installation Instructions

Models KRSC-XX, KRMC-XX, KRLC-XX, & KRXLC-XX

Please read all instructions prior to installation and keep for future reference!

1. Product to be installed by a qualified electrician.
2. Prior to installation ensure power is off at fuse box to prevent electrical shock.

1



extrusion with lens

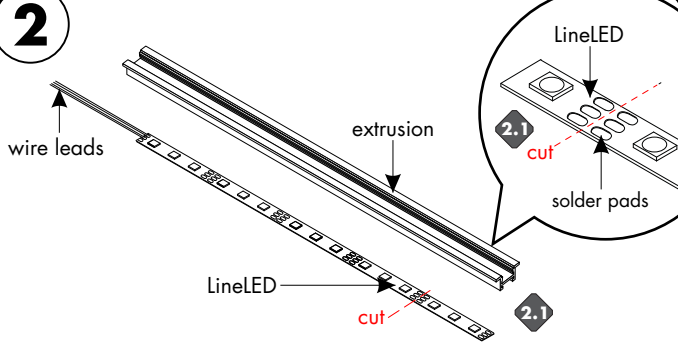
miter saw

1.1

Caution: Safety equipment is recommended, when modifications are being made to the extrusion & lens.

1.1 If necessary extrusion & lens can be cut in the field. Using the proper blade for aluminum, cut to the desired length.

2



wire leads

extrusion

LineLED

solder pads


cut

2.1

2.1 LineLED can be shortened by cutting along the dashed lines in between the solder pads. Make sure the cut is made on the side of the LineLED without the wire leads. LineLED cannot touch the metal endcap which will shorten the circuit.

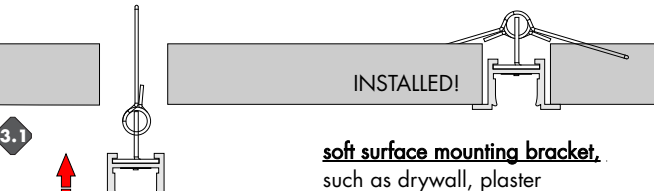
3

3.1 Mounting bracket are recommended and vary depending on the installation. Reference illustrations below, to determine what bracket is best.



3.1

hard surface mounting bracket,
such as wood, stone, tile

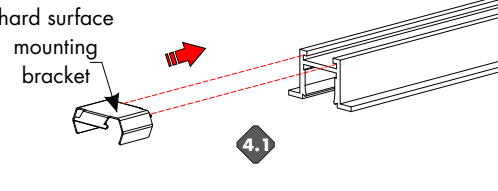


3.1

soft surface mounting bracket,
such as drywall, plaster

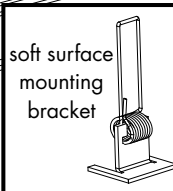
4

4.1 Insert & slide each mounting bracket through the extrusion end. Spread them out evenly, referencing diagram below.



4.1

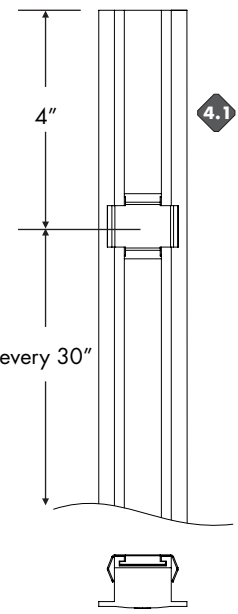
hard surface mounting bracket



4.1

soft surface mounting bracket

mounting bracket locations

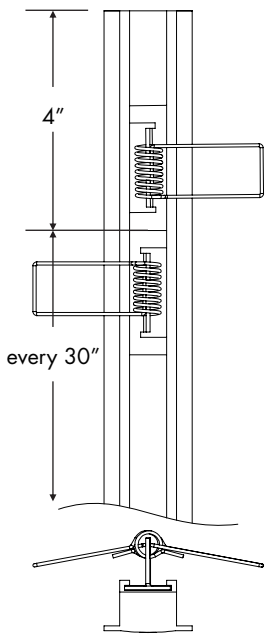


4.1

4"

every 30"

hard surface mounting bracket,
such as wood, stone, tile



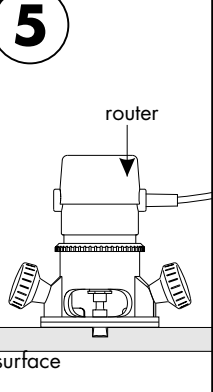
4.1

4"

every 30"

soft surface mounting bracket,
such as drywall, plaster

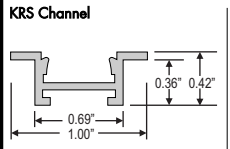
5



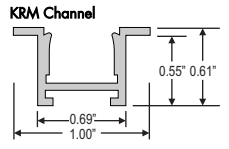
router

surface

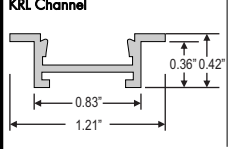
KRS Channel



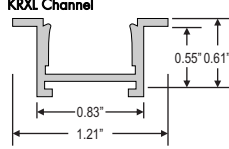
KRM Channel



KRL Channel



KRXL Channel



dimensions not including mounting bracket

5.1 If necessary route slots on surface with the proper width and depth to accommodate aluminum extrusion (reference step 7 for slot width).

KRS, KRM, KRL & KRXL Channel - Installation Instructions

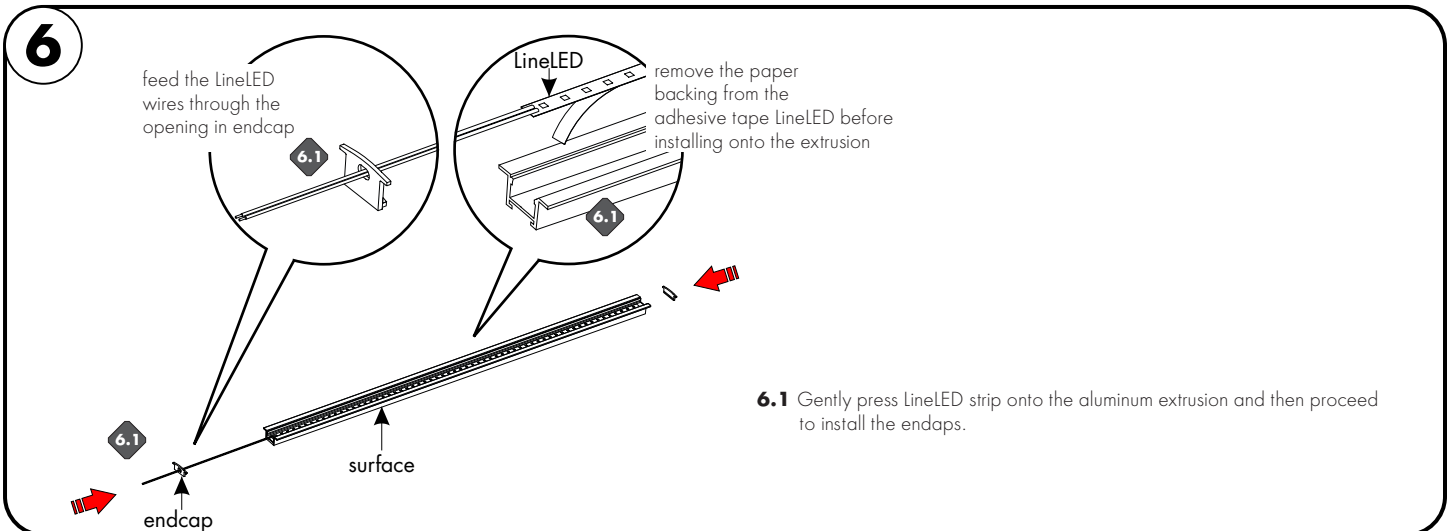
Models KRSC-XX, KRMC-XX, KRLC-XX, & KRXL-XX

Please read all instructions prior to installation and keep for future reference!

1. Product to be installed by a qualified electrician.
2. Prior to installation ensure power is off at fuse box to prevent electrical shock.

Page 2 of 2

6



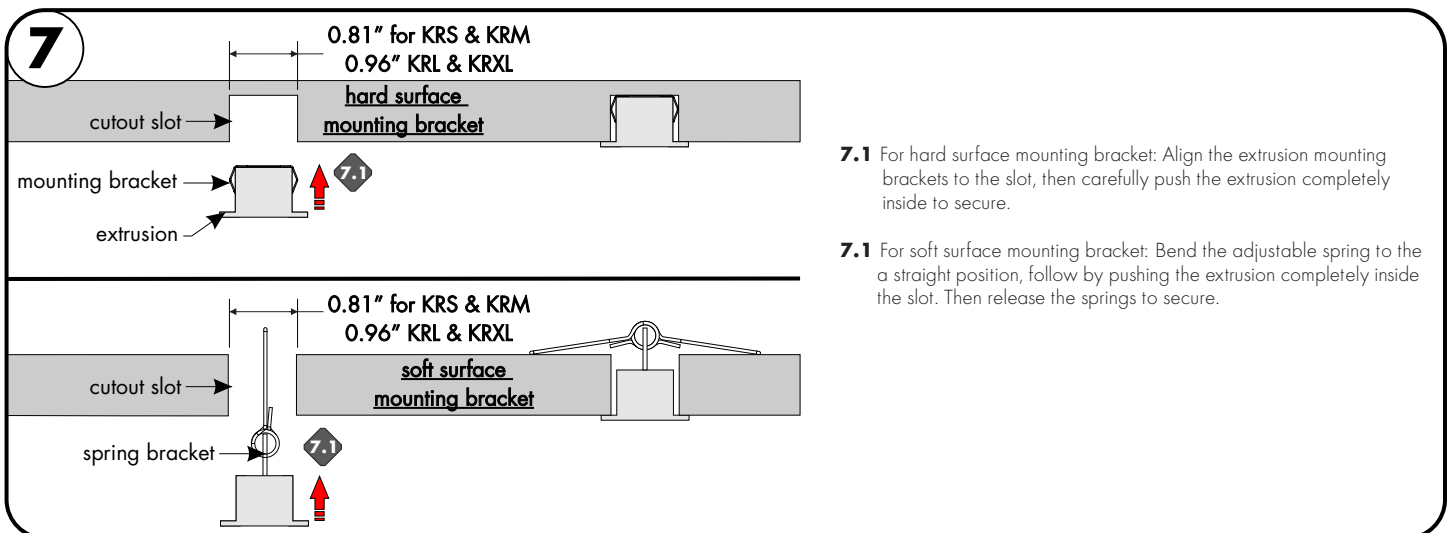
feed the LineLED wires through the opening in endcap

remove the paper backing from the adhesive tape LineLED before installing onto the extrusion

6.1

6.1 Gently press LineLED strip onto the aluminum extrusion and then proceed to install the endcaps.

7



0.81" for KRS & KRM
0.96" KRL & KRXL

cutout slot

hard surface mounting bracket

mounting bracket

extrusion

7.1

7.1 For hard surface mounting bracket: Align the extrusion mounting brackets to the slot, then carefully push the extrusion completely inside to secure.

7.1 For soft surface mounting bracket: Bend the adjustable spring to the a straight position, follow by pushing the extrusion completely inside the slot. Then release the springs to secure.

0.81" for KRS & KRM
0.96" KRL & KRXL

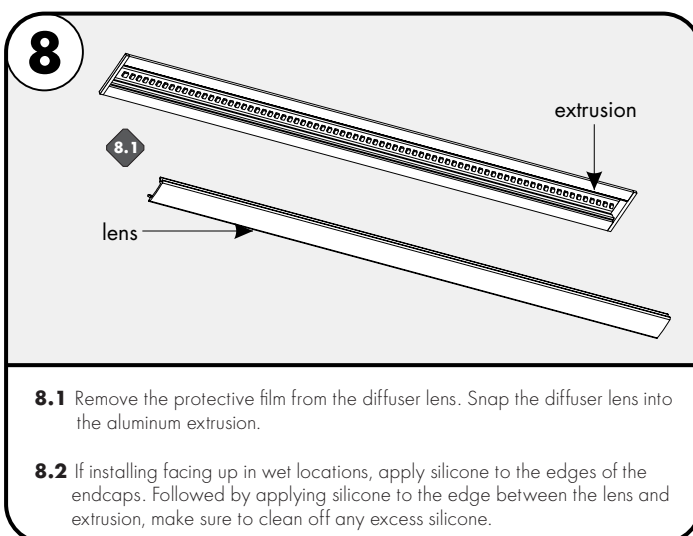
cutout slot

soft surface mounting bracket

spring bracket

7.1

8



8.1

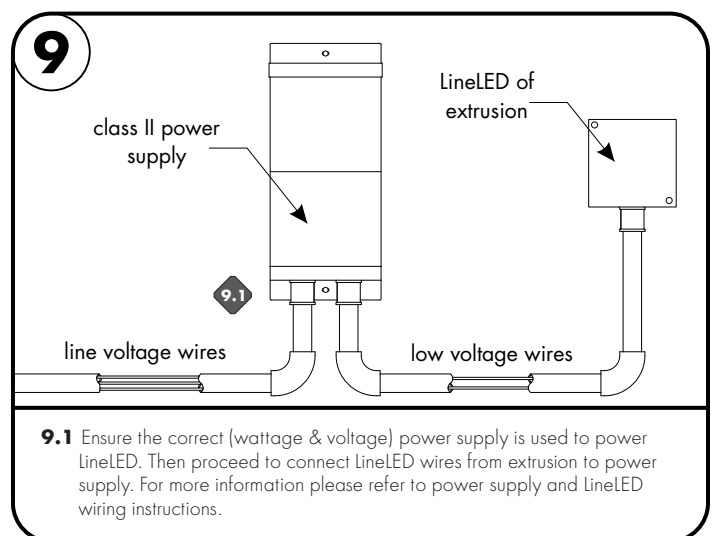
8.1 Remove the protective film from the diffuser lens. Snap the diffuser lens into the aluminum extrusion.

8.2 If installing facing up in wet locations, apply silicone to the edges of the endcaps. Followed by applying silicone to the edge between the lens and extrusion, make sure to clean off any excess silicone.

extrusion

lens

9



class II power supply

LineLED of extrusion

9.1

9.1 Ensure the correct (wattage & voltage) power supply is used to power LineLED. Then proceed to connect LineLED wires from extrusion to power supply. For more information please refer to power supply and LineLED wiring instructions.

line voltage wires

low voltage wires