

Features

The KL Channel linear aluminum extrusion has been designed to fit many LED lighting needs. Multiple mounting and lens options allow for great flexibility and adaptability for any application. Extrusion and diffuser lenses are also field cuttable. Substantial aluminum mass in profile provides excellent heat sink for high power LEDs. Channels come with specified Mounting Clips and End Caps.

Finish

Silver anodized, White, Black, Bronze

Diffuser Lens

Polycarbonate, snap-in-place, UV resistant

Mounting

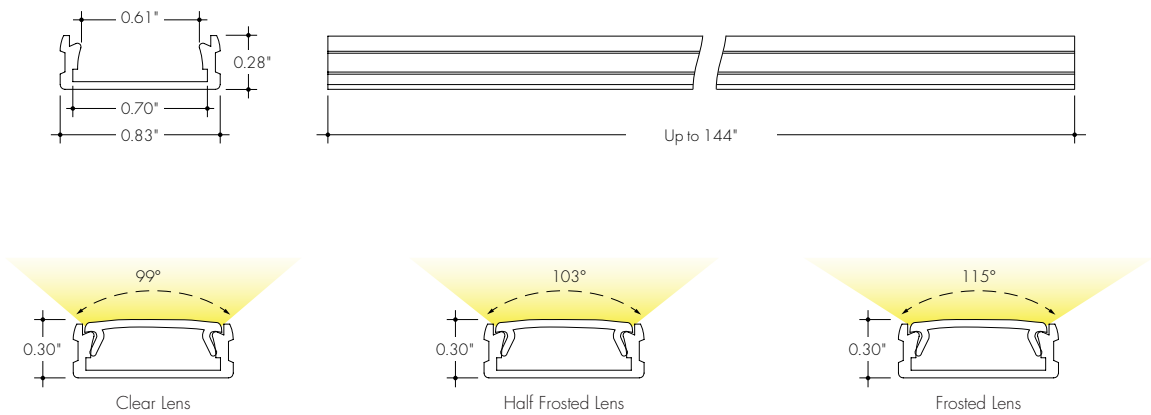
Multiple mounting clips

Warranty

7 Years



Product Dimensions



INCLUDED MOUNTING ACCESSORIES

EXTRUSION LENGTH	MOUNTING CLIPS (ALL TYPES)	ENDCAP PAIR
48"	3	1
72"	3	1
96"	4	1
120"	4	1
144"	5	1

TRANSMISSION PERCENTAGE
(COMPARED TO LED TAPE WITHOUT CHANNEL)

LENS	TRANSMISSION %
Clear Lens	81%
Half Frosted Lens	67%
Frosted Lens	51%

See LED tape spec sheet for lens dotting characteristics & compatibility

Each pair of endcaps includes 1x H3 (no wire feed hole) and 1x H4 (with hole) where applicable. Additional endcaps and mounting clips are available for purchase.

Ordering code

MODEL	LENGTH	LENS	MOUNTING ²	FINISH ⁴
KLC - KL Channel ¹	48 - 48" 72 - 72" 96 - 96" ³ 120 - 120" ³ 144 - 144" ³	C - Clear F - Frosted HF - Half Frosted	FC - Fixed Clip FC45 - Fixed Clip, 45° A - Adjustable Hinge Mounting	BASE SA - Silver Anodized POWDER COATED BK - Black BZ - Bronze WH - White

1 - End Caps are included with channel, one of H3 (no hole) and one of H4 (with hole). Order additional End Caps as necessary.

2 - Mounting Clips are included with channel. Refer to chart above for provided mounting clip quantities. Order additional Mounting Clips as necessary.

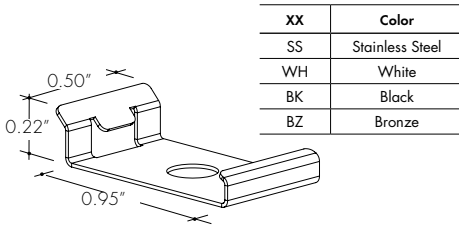
3 - For Channels and Lenses over 96", incremental shipping charges will apply.

4 - Powder Coat finishes may have extended lead times. Custom RALs are available, please consult Inside Sales with specific request.

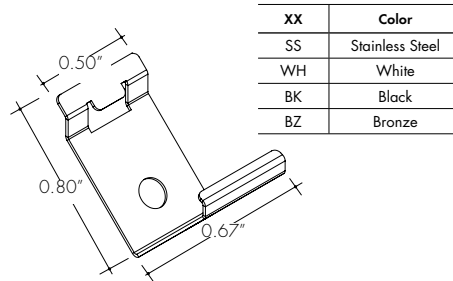
All Channels come with a specified set of Mounting Clips and End Caps, see Ordering Code for details. Order additional Mounting Clips and End Caps as necessary.

Mounting Clips

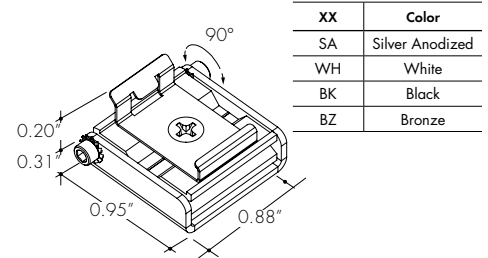
MB-KXLC-XX
Fixed mounting clip
-FC



MB-KXLC-45-XX
Fixed mounting clip 45°
-FC45

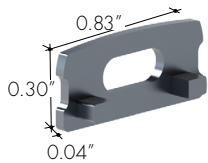


MB-KXLC-A-XX
Adjustable mounting clip
-A

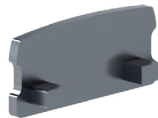


End Caps

EC-KLC-F-H3-XX
End Cap



EC-KLC-F-H3-XX
End Cap with Powerfeed Opening



XX	Color
SA	Silver Anodized
WH	White
BK	Black
BZ	Bronze

