



Features

Kurba 3 Side Emitting is a direct view, small profile, energy efficient and flexible LED strip suitable for wet locations capable of vertical bends up to 6" radius. Built with robust factory made power feeds or joiners, Kurba 3 Side Emitting mounts to a specifically designed aluminum extruded channel.

Applications

Indoor/Outdoor dry & wet location

Materials

Silicone for red list approved, as well as heat, weather, UV, and solvent resistance

Dimming

Dimable down to 1%. Dot Free even illumination. Also available with Black Lens

Average Life (L70)

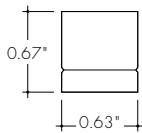
50,000 hours

Approvals

24VDC Class 2 wet listed, IP67

Warranty

3 years



Finish Options (see page 2 for additional information)

Base White

RoHS Declare.



Technical Information

Model	Kurba 3 Side
Light Output at 3000K	396 lm/ft
Average Power Consumption at 4'	3.66 W/ft
Efficacy	108 lm/W
Ordering Increment	2.19"
Maximum Run Length (In Series)	26'
Operating Temperature Range	-40°F to 131°F

CCT INFO / LUMEN MULTIPLIER

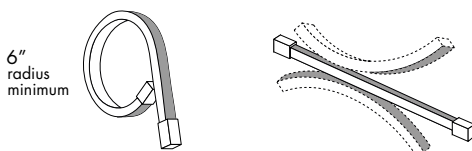
Color Temperature	Multiplier (ref. -3000K)
2200K	0.14
2400K	0.81
2700K	1.00
3000K	1.05
3500K	1.05
4000K	1.05

Note: 80 CRI

Constraints

Vertical Bend Direction

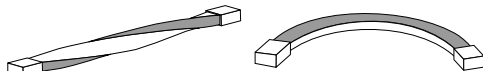
Bend LED in these positions only to avoid damage



Illuminated surface shown in gray

Vertical Prohibited Bends

Twisting or bending LED in these positions will cause damage



Illuminated surface shown in gray

Do not make sharp bends near the endcap

Ordering Code

MODEL	RATING	BEND DIRECTION	LENGTH	OUTPUT ¹	CCT	LENS	MOUNTING	FINISH	FEED POSITION LEFT	FEED POSITION RIGHT
KBL-Kurba Large	W-Wet	VB-Vertical Bending	SEE PCC CHART ON PAGE 5	3850-Standard	22K-2200K 27K-2700K 30K-3000K 35K-3500K 40K-4000K 57K-5700K	3SF-3-Side Emitting Silicone Frosted	NA-See Page 6 for orderable mounting accessories	WH-White	INJECTION MOLD IME-End Feed 1 IMB-Back Feed 1 IMSA-Side 1 Feed IMSB-Side 2 Feed NPF-No Power Feed ²	INJECTION MOLD IME-End Feed 1 IMB-Back Feed 1 IMSA-Side 1 Feed IMSB-Side 2 Feed NPF-No Power Feed ²

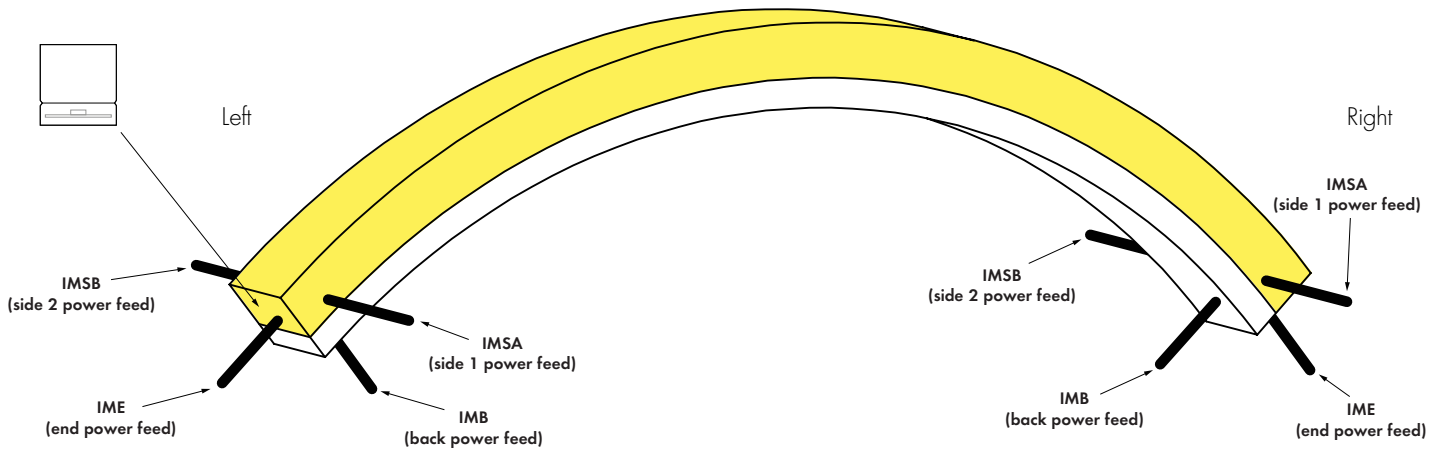
Feeds come with 118" wire leads

1 - Title 24 JA8 compliance achievable, contact factory for specific requests

2 - NPF-NPF for Feed Position 1&2 is not a valid configuration option

Powerfeeds and Connectors

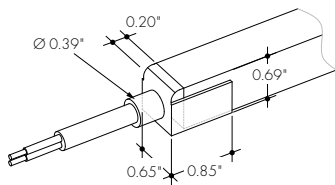
Power Feed Position Options and Orientation



Linking and Extension Cable Options

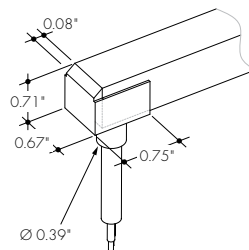
END CONNECTOR

Injection-molded End Connector
-IME



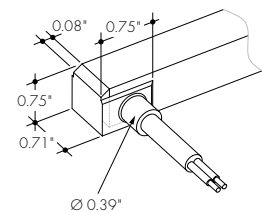
BACK CONNECTOR

Injection-molded Back Connector
-IMB



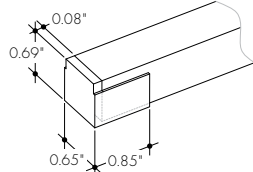
SIDE CONNECTOR

Injection-molded Side Connector
-IMSA and -IMSB



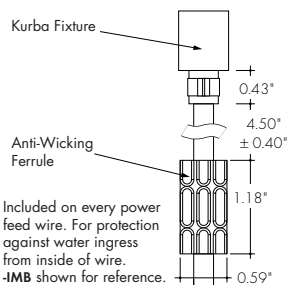
ENDCAP (NO CONNECTOR)

Injection-molded Cap (No Connector)
-NPF

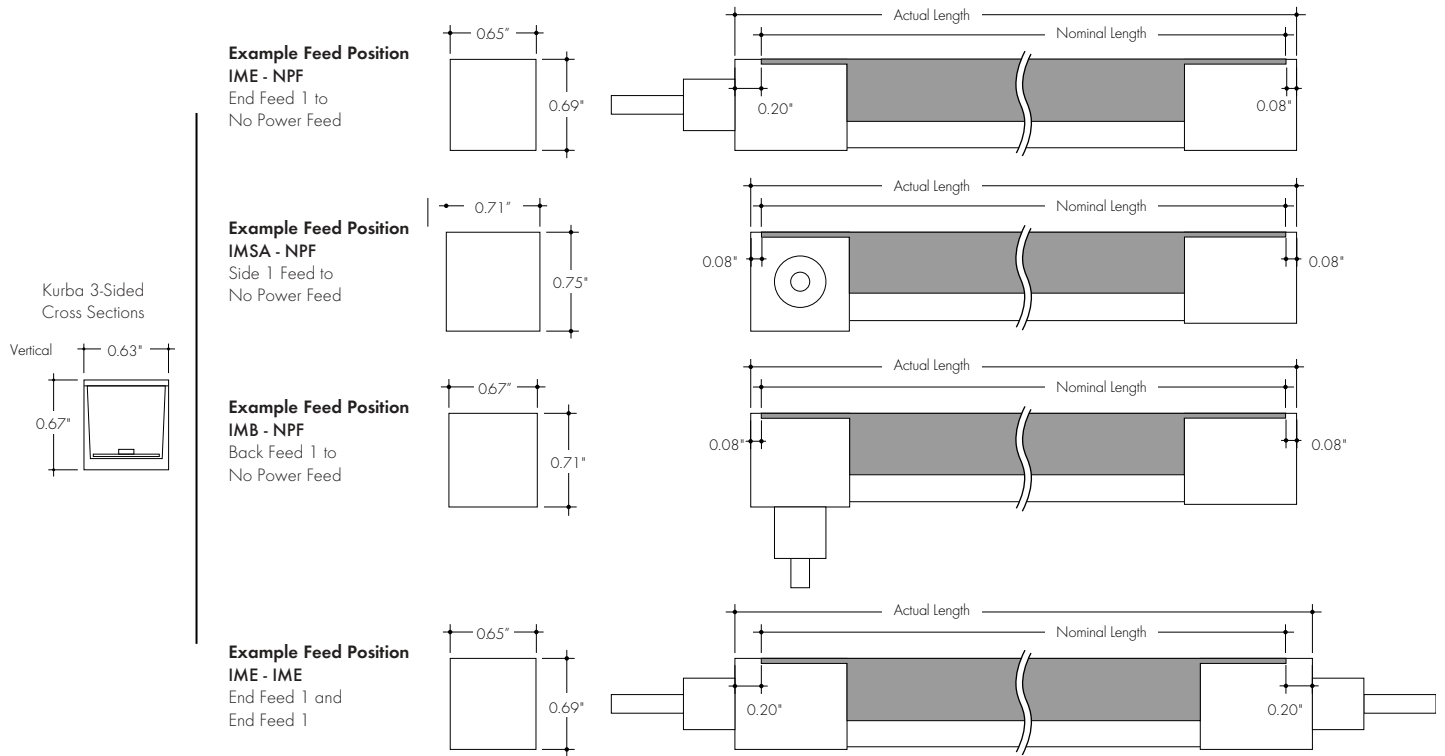


ANTI-WICKING FERRULE

Included on every power feed wire



Product Dimensions



Finish Options

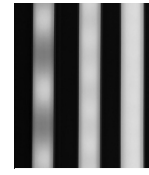
**White
Base**



Kurba's base finish is a crisp white which brings a timeless, clean aesthetic that brightens and enhances any space

Light Transmission and Dotting

Output Options	Lens/Accessory
	Silicone Frosted/ White Finish
HE38LO	ND
Transmission Percentage	100%

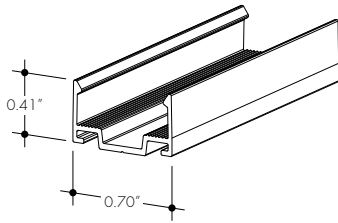


CD SD ND
 CD - Clear Dotting
 SD - Slight Dotting
 ND - No Dotting

Mounting Accessories and Optional Connectors

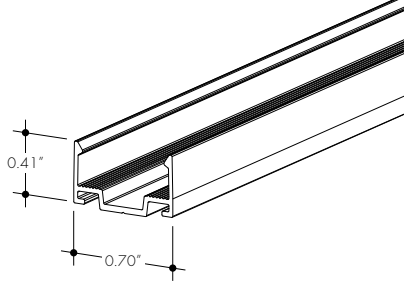
MC-KBL-3SF-SAP-SM-0.8-SA

KBL 3-Side Emitting Mounting Channel, Serrated Aluminum Profile, Surface Mount, 0.8in, Silver Anodized



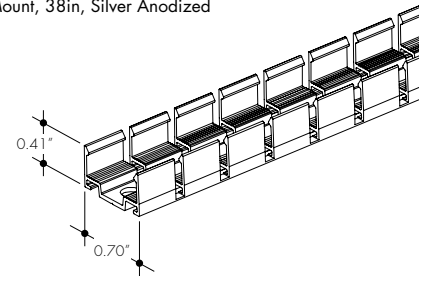
MC-KBL-3SF-SAP-SM-78-SA

KBL 3-Side Emitting Mounting Channel, Serrated Aluminum Profile, Surface Mount, 78in, Silver Anodized



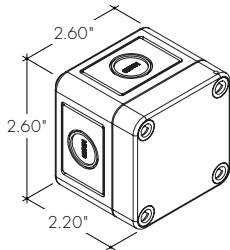
MC-KBL-3SF-BSAP-VB-SM-38-SA

KBL 3-Side Emitting Mounting Channel, Bendable Serrated Aluminum Profile, Vertical Bending, Surface Mount, 38in, Silver Anodized



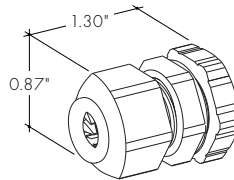
LVSP-WET

Splice box: wet rated, low voltage, gray



LVSP-WET-CM

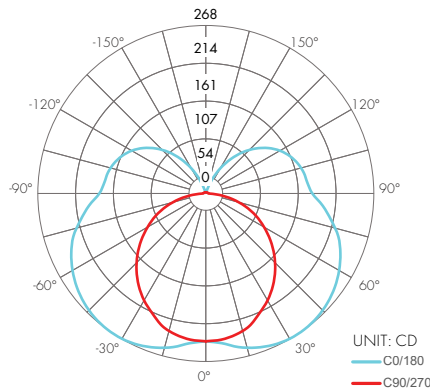
Connector for splice box, low voltage for cable management, gray



Photometry

KBL-W-VB-48-38SO-30K-3SF-NA-WH

Kurba Large , 3-Side Emmiting, 4ft, 3000K, 38SO Output, Silicone Frosted Lens



Zonal Lumen Summary 3000K

Zone	Lumen	% Fixture
0-30	201	12.7%
0-40	285	18.0%
0-60	691	43.6%
0-90	1146	72.3%
0-180	1584	100.0%
Total		

Beam Angle



UNIT: CD
 C0/180
 C90/270

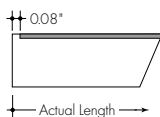
38SO | Power Consumption Per Fixture Length

Based on operation with PDCU series of power supplies. Use Actual Length for Order Code Entry.
 Tolerance for Actual Lengths less than 6 ft is +/- 0.2", Actual Lengths between 6 ft and 16 ft is +/- 0.3", and Actual Lengths greater than 16 ft is +/- 0.6"
 A - End Connector at both ends of Kurba (0.20" + 0.20" added to overall length)
 B - End Connector at one end of Kurba and No Connector or Back Connector or Side Connector at other end of Kurba (0.20" + 0.08" added to overall length)
 C - Any combination of No Connector, Back Connector, or Side Connector on each end of Kurba (0.08" + 0.08" added to overall length)

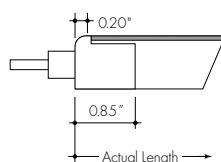
Nominal Length (in)	Actual Length (in)				Nominal Length (in)	Actual Length (in)				Nominal Length (in)	Actual Length (in)				Nominal Length (in)	Actual Length (in)			
	W	A	B	C		W	A	B	C		W	A	B	C		W	A	B	C
7	2.1	7.0	6.8	6.7	86	26.1	85.7	85.6	85.5	165	50.1	164.5	164.3	164.2	243	74.1	243.2	243.1	243.0
9	2.8	9.1	9.0	8.9	88	26.8	87.9	87.8	87.7	167	50.8	166.6	166.5	166.4	246	74.8	245.4	245.3	245.1
(1 ft) 11	3.5	11.3	11.2	11.1	90	27.5	90.1	90.0	89.8	(14 ft) 169	51.5	168.8	168.7	168.6	248	75.5	247.6	247.5	247.3
14	4.1	13.5	13.4	13.3	92	28.1	92.3	92.2	92.0	171	52.1	171.0	170.9	170.8	250	76.1	249.8	249.6	249.5
16	4.8	15.7	15.6	15.5	95	28.8	94.5	94.3	94.2	173	52.8	173.2	173.1	173.0	(21 ft) 252	76.8	252.0	251.8	251.7
18	5.5	17.9	17.8	17.7	(8 ft) 97	29.5	96.6	96.5	96.4	176	53.5	175.4	175.3	175.2	254	77.5	254.1	254.0	253.9
20	6.1	20.1	20.0	19.8	99	30.1	98.8	98.7	98.6	178	54.1	177.6	177.5	177.3	257	78.1	256.3	256.2	256.1
22	6.8	22.3	22.2	22.0	101	30.8	101.0	100.9	100.8	(15 ft) 180	54.8	179.8	179.6	179.5	259	78.8	258.5	258.4	258.3
(2 ft) 24	7.5	24.5	24.3	24.2	103	31.5	103.2	103.1	103.0	182	55.5	182.0	181.8	181.7	261	79.5	260.7	260.6	260.5
27	8.1	26.6	26.5	26.4	106	32.1	105.4	105.3	105.2	184	56.1	184.1	184.0	183.9	(22 ft) 263	80.1	262.9	262.8	262.6
29	8.8	28.8	28.7	28.6	(9 ft) 108	32.8	107.6	107.5	107.3	187	56.8	186.3	186.2	186.1	265	80.8	265.1	265.0	264.8
31	9.5	31.0	30.9	30.8	110	33.5	109.8	109.7	109.5	189	57.5	188.5	188.4	188.3	268	81.5	267.3	267.1	267.0
33	10.1	33.2	33.1	33.0	112	34.1	112.0	111.8	111.7	(16 ft) 191	58.1	190.7	190.6	190.5	270	82.1	269.5	269.3	269.2
(3 ft) 35	10.8	35.4	35.3	35.2	114	34.8	114.1	114.0	113.9	193	58.8	192.9	192.8	192.7	272	82.8	271.6	271.5	271.4
38	11.5	37.6	37.5	37.3	116	35.5	116.3	116.2	116.1	195	59.5	195.1	195.0	194.8	274	83.5	273.8	273.7	273.6
40	12.1	39.8	39.7	39.5	119	36.1	118.5	118.4	118.3	198	60.1	197.3	197.1	197.0	(23 ft) 276	84.2	276.0	275.9	275.8
42	12.8	42.0	41.8	41.7	(10 ft) 121	36.8	120.7	120.6	120.5	200	60.8	199.5	199.3	199.2	279	84.8	278.2	278.1	278.0
44	13.5	44.1	44.0	43.9	123	37.5	122.9	122.8	122.7	202	61.5	201.6	201.5	201.4	281	85.5	280.4	280.3	280.1
46	14.1	46.3	46.2	46.1	125	38.1	125.1	125.0	124.8	(17 ft) 204	62.1	203.8	203.7	203.6	283	86.2	282.6	282.5	282.3
(4 ft) 49	14.8	48.5	48.4	48.3	127	38.8	127.3	127.1	127.0	206	62.8	206.0	205.9	205.8	285	86.8	284.8	284.6	284.5
51	15.5	50.7	50.6	50.5	130	39.5	129.5	129.3	129.2	208	63.5	208.2	208.1	208.0	(24 ft) 287	87.5	286.9	286.8	286.7
53	16.1	52.9	52.8	52.7	(11 ft) 132	40.1	131.6	131.5	131.4	211	64.1	210.4	210.3	210.2	289	88.2	289.1	289.0	288.9
55	16.8	55.1	55.0	54.8	134	40.8	133.8	133.7	133.6	213	64.8	212.6	212.5	212.3	292	88.8	291.3	291.2	291.1
57	17.5	57.3	57.2	57.0	136	41.5	136.0	135.9	135.8	(18 ft) 215	65.5	214.8	214.6	214.5	294	89.5	293.5	293.4	293.3
(5 ft) 60	18.1	59.5	59.3	59.2	138	42.1	138.2	138.1	138.0	217	66.1	217.0	216.8	216.7	296	90.2	295.7	295.6	295.5
62	18.8	61.6	61.5	61.4	141	42.8	140.4	140.3	140.2	219	66.8	219.1	219.0	218.9	298	90.8	297.9	297.8	297.6
64	19.5	63.8	63.7	63.6	143	43.5	142.6	142.5	142.3	222	67.5	221.3	221.2	221.1	(25 ft) 300	91.5	300.1	300.0	299.8
66	20.1	66.0	65.9	65.8	(12 ft) 145	44.1	144.8	144.6	144.5	224	68.1	223.5	223.4	223.3	302	92.2	302.3	302.1	302.0
68	20.8	68.2	68.1	68.0	147	44.8	147.0	146.8	146.7	226	68.8	225.7	225.6	225.5	304	92.8	304.4	304.3	304.2
70	21.5	70.4	70.3	70.2	149	45.5	149.1	149.0	148.9	(19 ft) 228	69.5	227.9	227.8	227.6	307	93.5	306.6	306.5	306.4
(6 ft) 73	22.1	72.6	72.5	72.3	152	46.1	151.3	151.2	151.1	230	70.1	230.1	230.0	229.8	309	94.2	308.8	308.7	308.6
75	22.8	74.8	74.7	74.5	154	46.8	153.5	153.4	153.3	233	70.8	232.3	232.1	232.0	(26 ft) 311	94.8	311.0	310.9	310.8
77	23.5	77.0	76.8	76.7	(13 ft) 156	47.5	155.7	155.6	155.5	235	71.5	234.5	234.3	234.2					
80	24.1	79.1	79.0	78.9	158	48.1	157.9	157.8	157.7	237	72.1	236.6	236.5	236.4					
81	24.8	81.3	81.2	81.1	160	48.8	160.1	160.0	159.8	(20 ft) 239	72.8	238.8	238.7	238.6					
(7 ft) 84	25.5	83.5	83.4	83.3	162	49.5	162.3	162.1	162.0	241	73.5	241.0	240.9	240.8					

Note: all values are rounded to the nearest 0.1 inch

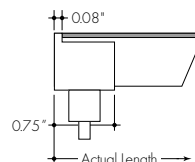
Endcap (No Connector) -NPF



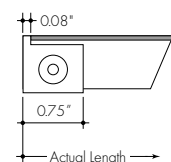
End Connector -IME



Back Connector -IMB



Side Connector -IMSA -IMSB



Power Supplies

See Power Supply instructions and spec sheet for wiring information. For a complete list of compatible dimmers, see Compatible Dimming Chart on the Resources page.

For use with Static White

Ordering Code Universal Dimming Power Supplies 1% 120VAC - 277VAC

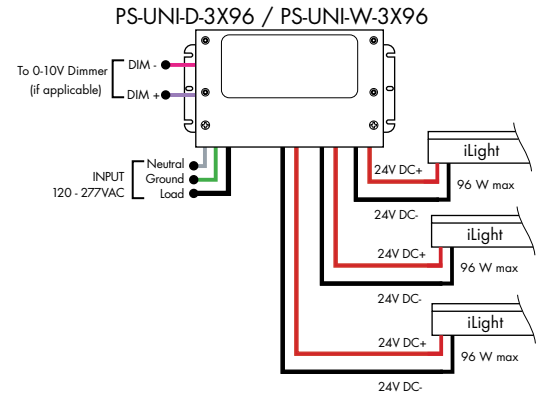
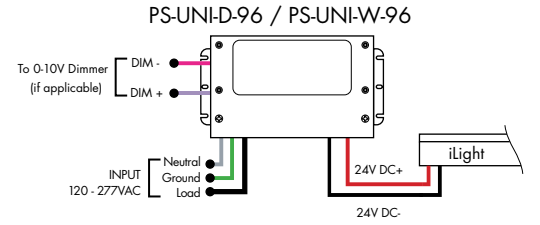
MODEL	INPUT CONTROL	ENVIRONMENT	WATTAGE	OUTPUT
PS-Power Supply, 120-277VAC	UNI-0-10V Dimming, Phase Dimming	D-Dry W-Wet	30-30 Watts 60-60 Watts 96-96 Watts 3x96-3x96 Watts	24-24 VDC

Compatibility: View a complete list of compatible dimmers on product page [\(Link\)](#)

0-10V - 1% dimming
MLV/ELV/TRIAC - 1% dimming, consult dimming compatibility chart

MODELS	PS-UNI-W-30W	PS-UNI-W-60W	PS-UNI-W-96W	PS-UNI-W-3X96W
Length	6.50"	7.40"	8.66"	11.85"
Width	3.73"	3.73"	3.73"	4.32"
Depth	1.61"	1.61"	1.61"	1.81"

MODELS	PS-UNI-D-30W	PS-UNI-D-60W	PS-UNI-D-96W	PS-UNI-D-3X96W
Length	8.77"	8.77"	8.11"	9.94"
Width	4.27"	4.27"	5.60"	7.61"
Depth	1.83"	1.83"	1.83"	2.02"

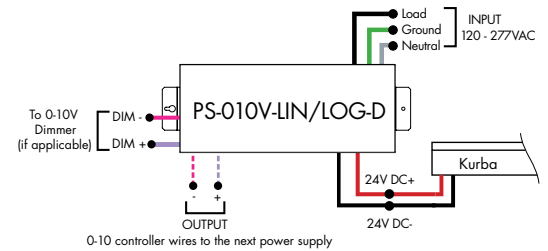
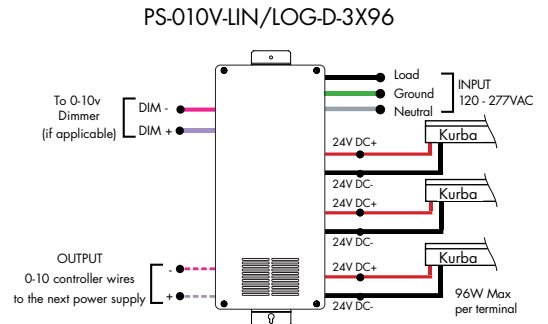


For use with Static White

0-10V Dimming Power Supplies 0.1% 120VAC - 277VAC

MODEL	POWER	OUTPUT	INPUT CONTROL	ENVIRONMENT
PS-Power Supply, 120-277VAC	96-96 Watts 3x96-3x96 Watts	24-24 VDC	010V-LIN-0-10V Dimming (0.1%), Linear 010V-LOG-0-10V Dimming (0.1%), Logarithmic	D-Dry

MODELS	96W	3X96
Length	14.40"	15.00"
Width	5.20"	6.62"
Depth	2.60"	4.45"



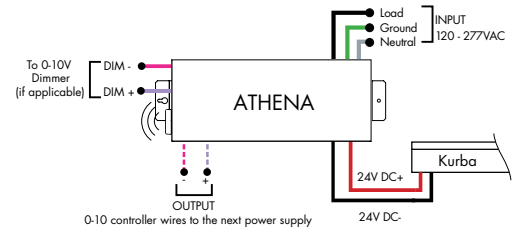
Power Supplies

See Power Supply instructions and spec sheet for wiring information. For a complete list of compatible dimmers, see Compatible Dimming Chart on the Resources page.

For use with Static White

Athena 0-10V LED Driver

MODEL	INPUT CONTROL	ENVIRONMENT	WATTAGE	OUTPUT	FEATURE
PS-Power Supply, 120-277VAC	010V-LIN-0-10V Dimming (0.1%), Linear 010V-LOG-0-10V Dimming (0.1%), Logarithmic	D-Dry	96-96 Watts	24-24 VDC	AWN-R-Athena

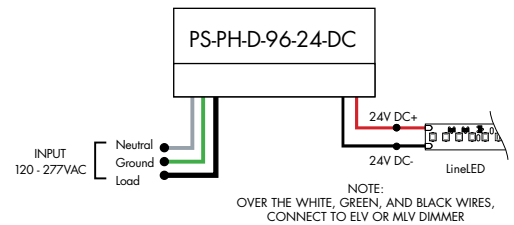


MODELS	96W
Length	14.40"
Width	5.20"
Depth	2.60"

For use with Static White

Ordering Code Phase Dimming Power Supply 1% 120VAC - 277VAC

MODEL	INPUT CONTROL	ENVIRONMENT	WATTAGE	OUTPUT	OUTPUT CONTROL
PS-Power Supply, 120-277VAC	PH-Phase Dimming (Triac, ELV, MLV)	D-Dry	96-96 Watts	24-24 VDC	DC-Direct Current



MLV/ELV/TRIAC - 1% dimming, consult dimming compatibility chart ([link](#))

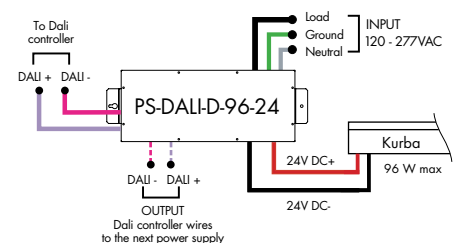
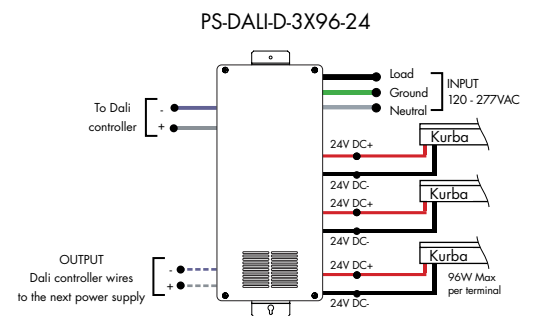
MODELS	96W
Length	8.25"
Width	4.10"
Depth	1.56"

For use with Static White

DALI Dimming Power Supplies 0.1% 120VAC - 277VAC

MODEL	INPUT CONTROL	ENVIRONMENT	WATTAGE	OUTPUT
PS-Power Supply, 120-277VAC	DALI-DALI (0.1%)	D-Dry	96-96 Watts 3x96-3x96 Watts	24-24 VDC

Model	96W	3X96
Length	14.40"	15.00"
Width	5.20"	6.62"
Depth	2.60"	4.56"



Power Supplies

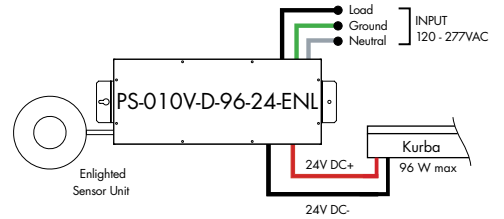
See Power Supply instructions and spec sheet for wiring information. For a complete list of compatible dimmers, see Compatible Dimming Chart on the Resources page.

For use with Static White

Athena 0-10V LED Driver

MODEL	INPUT CONTROL	ENVIRONMENT	WATTAGE	OUTPUT	FEATURE
PS-Power Supply, 120-277VAC	010V-0-10V Dimming (1%)	D-Dry	96-96 Watts	24-24 VDC	ENL-0-10V Enlightened

Model	96W
Length	14.40"
Width	5.20"
Depth	2.60"



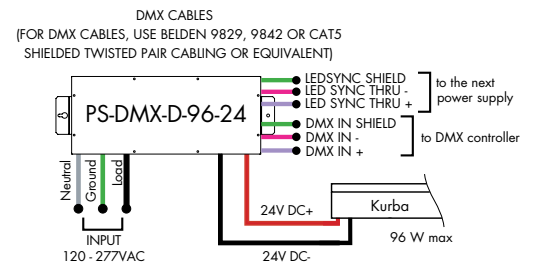
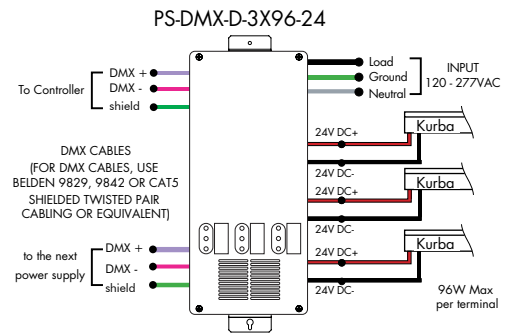
For use with Static White

Requires Zonal Control

DMX Dimming Power Supplies 0.1% 120VAC - 277VAC

MODEL	INPUT CONTROL	ENVIRONMENT	WATTAGE	OUTPUT
PS-Power Supply, 120-277VAC	DMX-DMX (0.1%)	D-Dry	96-96 Watts 3x96-3x96 Watts	24-24 VDC

MODELS	96W	3X96
Length	14.40"	15.00"
Width	5.20"	6.62"
Depth	2.60"	4.56"

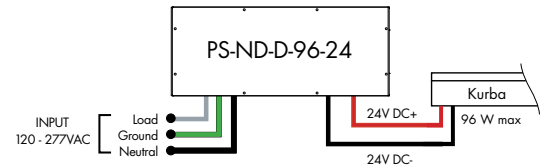


For use with Static White

DMX Dimming Power Supplies 0.1% 120VAC - 277VAC

MODEL	INPUT CONTROL	ENVIRONMENT	WATTAGE	OUTPUT
PS-Power Supply, 120-277VAC	ND-Non Dimming	D-Dry	96-96 Watts	24-24 VDC

MODELS	96W
Length	14.40"
Width	5.20"
Depth	2.60"



Power Supplies

See Power Supply instructions and spec sheet for wiring information. For a complete list of compatible dimmers, see Compatible Dimming Chart on the Resources page.

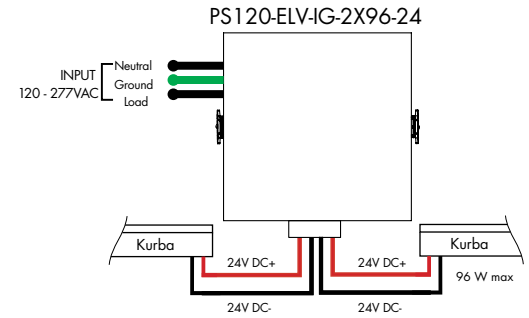
For use with Static White

In-Ground Power Supplies

MODEL	INPUT CONTROL	ENVIRONMENT	WATTAGE	OUTPUT
PS120-Power Supply, 120VAC PS240-Power Supply, 240VAC PS277-Power Supply, 277VAC	ELV-ELV Dimming (1%)	IG-In Ground	2X96-2X96 Watts	24-24 VDC

MODELS 2X96W

Length	8.40"
Width	8.30"
Depth	8.10"



Luminii is a Lutron OEM Advantage Partner

Lutron Power Supplies 1%

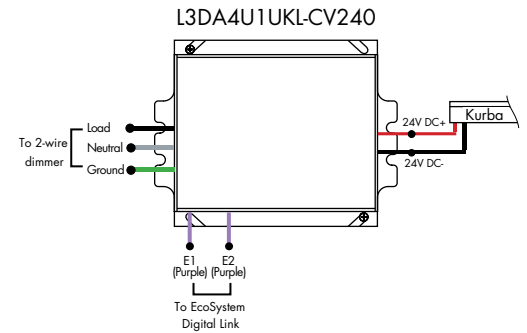
MODEL

L3DA4U1UKL-CV240

HiLume™ 1% EcoSystem Voltage LED driver
40W max

MODELS L3DA4U1UKL-CV240

Length	4.98"
Width	4.00"
Depth	2.62"



Luminii is a Lutron OEM Advantage Partner

Lutron Power Supplies 0.1%

MODEL

L3D0-96W24V-U

HiLume™ 0.1% EcoSystem Voltage LED Driver with Soft-On, Fade-to-Black™
96W max

MODELS L3D0

Length	10.50"
Width	5.50"
Depth	2.00"

