

Features

The K45R Channel is a linear aluminum extrusion that has been designed to fit many LED lighting needs and specifically corner applications. Multiple configuration options allow for great flexibility in any installation. Substantial aluminum mass in profile provides excellent heat sink for high power LEDs. K45R Channel comes with multiple choices of diffuser lenses. Extrusion and lenses are field cuttable. Channels come with specified Mounting Clips and End Caps.

Finish

- Silver anodized
- White
- Black
- Bronze

Mounting

Mounting bracket

Diffuser lens

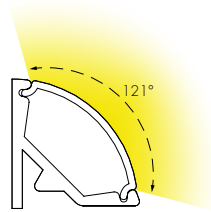
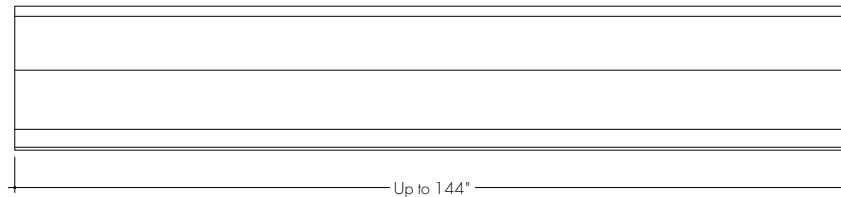
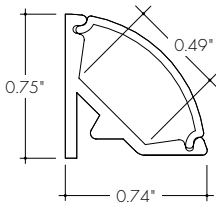
- Polycarbonate
- Snap-in-place
- UV resistant

Warranty

7 years

Declare. MADE IN U.S.A.

Product Dimensions



Round Frosted Lens

INCLUDED MOUNTING ACCESSORIES

EXTRUSION LENGTH	CONCEALED BRACKET	ENDCAP PAIR
48"	3	1
72"	3	1
96"	4	1
120"	4	1
144"	7	1

Each pair of endcaps includes 1x H3 (no wire feed hole) and 1x H4 (with hole) where applicable. Additional endcaps and mounting clips are available for purchase.

TRANSMISSION PERCENTAGE (COMPARED TO LED TAPE WITHOUT CHANNEL)

LENS	TRANSMISSION %
Round Frosted	61%

See LED tape spec sheet for lens dotting characteristics & compatibility

Ordering code

MODEL	LENGTH	LENS	MOUNTING ²	FINISH ⁴
K45RC - K45R Channel ¹	48 - 48" 72 - 72" 96 - 96" ³ 120 - 120" ³ 144 - 144" ³	RF - Round Frosted	CB - Concealed Bracket	<p>BASE</p> <p>SA - Silver Anodized</p> <hr/> <p>POWDER COATED</p> <p>BK - Black BZ - Bronze WH - White</p>

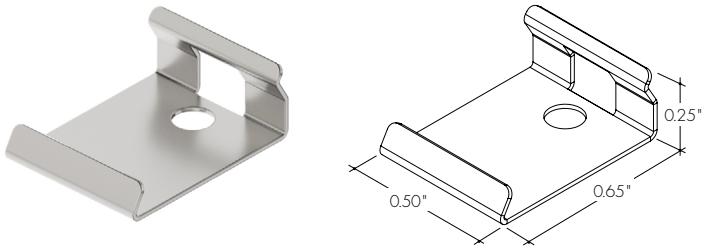
1 - End Caps are included with channel, one of H3 (no hole) and one of H4 (with hole). Order additional End Caps as necessary.
2 - Mounting Clips are included with channel. Refer to chart above for provided mounting clip quantities. Order additional Mounting Clips as necessary.

3 - For Channels and Lenses over 96", incremental shipping charges will apply.
4 - Powder Coat finishes may have extended lead times. Custom RALs are available, please consult Inside Sales with specific request.

All Channels come with a specified set of Mounting Clips and End Caps, see Ordering Code for details. Order additional Mounting Clips and End Caps as necessary.

Mounting Clip

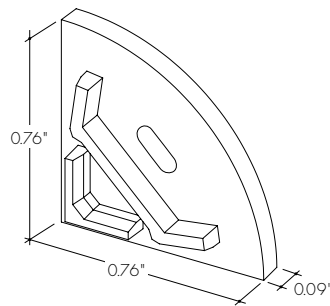
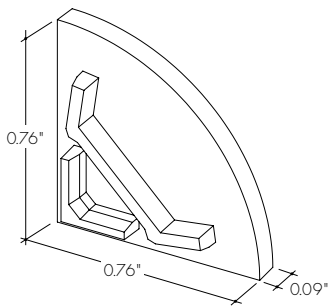
MB-K45RC-SS
Stainless Steel Concealed Bracket
-CB



End Caps

EC-K45RC-H3-XX
End Cap

EC-K45RC-H4-XX
End Cap with Powerfeed Opening



XX	Color
SA	Silver Anodized
WH	White
BK	Black
BZ	Bronze

