

Track models

Installation and Use Instructions

Installation

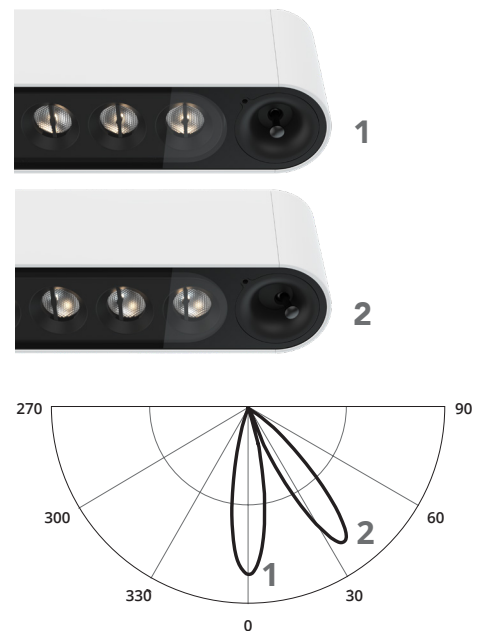
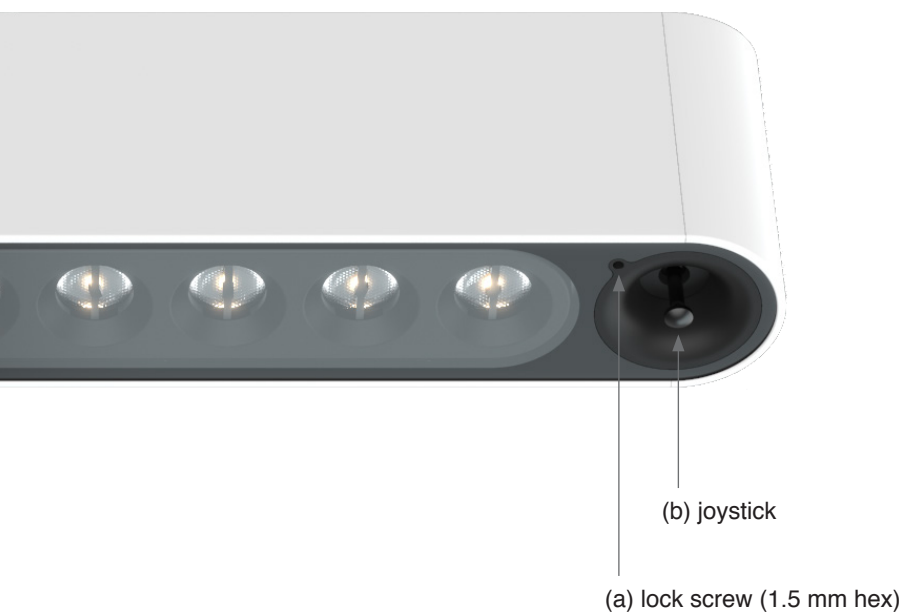
Refer to the installation instructions for your specific track adapter selection. Hero comes fully wired and tested with the track adapter, it is not necessary to disassemble the track adapter.

Hero has easy to maintain finishes and an anti-fingerprint front coating, so it can be cleaned with a soft cloth. For stubborn marks, wipe with a dampened cloth. Do not use solvents, detergents, or other chemicals on Hero.

Adjusting Beam Direction

Hero is powered by innovative Light Shift technology, where the direction of its light beam is adjusted by the joystick on the front face. The adjustment is locked by a single recessed lock screw.

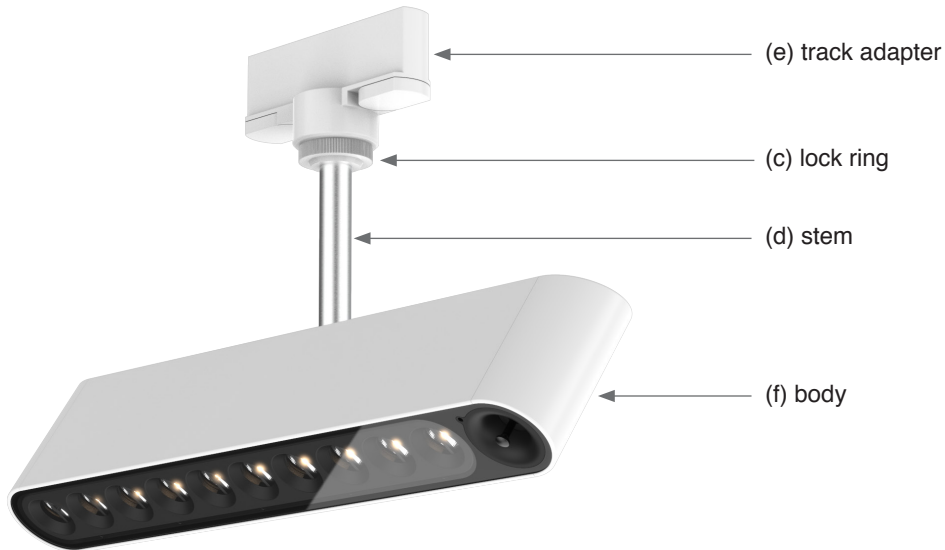
1. Turn the recessed (a) lock screw counter-clockwise with a 1.5 mm hex key to unlock the joystick.
2. Adjust beam direction by moving the (b) joystick in the desired direction. The joystick should move smoothly with light resistance, loosen lock screw further if it is hard to move.
3. Tighten the lock screw to finger tightness, it is not necessary to overtighten.



Setting Orientation (Rotation)

Hero is shipped oriented to be parallel to the track adapter and track, but can be adjusted as needed.

1. Turn the knurled (c) lock ring counter-clockwise to loosen the (d) stem from the (e) track adapter.
2. Align the main (f) body of the luminaire to the desired rotation orientation.
3. Turn the lock ring clockwise to finger tightness to lock the orientation.



Setting Orientation (Tilt)

Hero is shipped oriented straight down or tilted 35°, as ordered, but can be reconfigured as needed.

1. Fully remove Hero from the track, because this procedure will expose line voltage wiring.
2. Remove the (g) 4 screws on the back cover by turning counter-clockwise with a 2 mm hex key.
3. Gently rotate the (h) back cover 180° to change the tilt orientation. Do not modify the wiring inside.
4. Replace the 4 screws and tighten clockwise to finger tightness.

