



### Features

F.O.T.™ IP67 is a collection of high performance precision optics distinguished by its industry leading size to efficacy ratio and ability to seamlessly interconnect. F.O.T.™ IP67 allows for surface mount solutions for beam control in wall washing, grazing, spot and asymmetric distributions for limitless design scenarios.

#### Mounting

FOT Flex strip is equipped with adhesive tape.

#### Applications

Outdoor / wet location, above cabinet, cove lighting, counter & architectural accents, under banisters, decks, gazebos, barbeque stations and wet bars.

#### IP67 Rated

Deemed fit enough to withstand dust, dirt and sand, and are resistant to submersion up to a maximum depth of 1m depth for up to 30 mins.

#### Warranty

3 Years



### Technical Information

Model	Narrow		Asymmetric	
	SO	HO	SO	HO
Output Options				
Light Output (3000K)	415 lm/ft	625 lm/ft	310 lm/ft	557 lm/ft
Average Power Consumption (for a 4' section)	4.8 W/ft	5.8 W/ft	4.8 W/ft	5.2 W/ft
Efficacy	86 lm/W	106 lm/W	65 lm/W	108 lm/W
Ordering Increment (in)	6.5"		6.5"	8.5"
Max Strip Length (ft)	16 ft	13.5 ft	16 ft	16 ft
Max Run Length (in series)	20 ft	16 ft	20 ft	18 ft
Minimum Bending Radius	4.0"			

#### Operating Voltage

24 VDC

#### Average Life (L70)

50,000 Hours

#### Operating Temperature Range

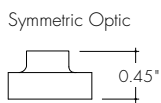
-20°C to 50°C

#### Warranty

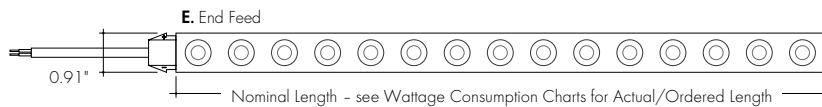
3 years

CCT	Multiplier (referenced from 3000K)	TM-30			
		CRI	R <sub>f</sub>	R <sub>g</sub>	R <sub>9</sub>
2700K	0.92	95	91	98	55
3000K	1.00	95	91	100	59
3500K	1.04	94	91	102	64
4000K	1.04	94	91	102	68

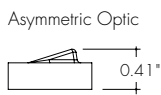
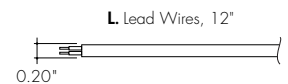
### Section Start/End Options



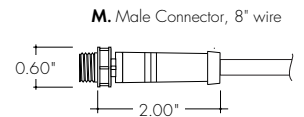
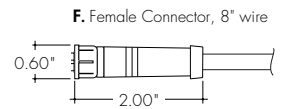
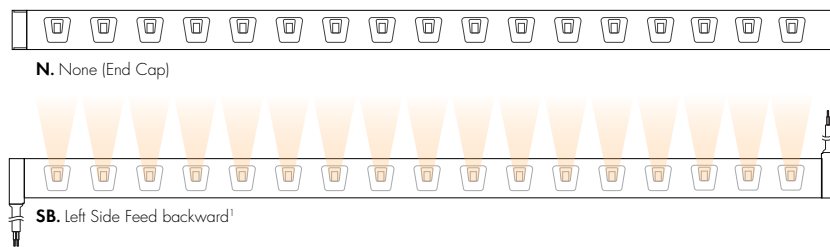
#### Feed Type



#### Connector Options



#### Feed Type



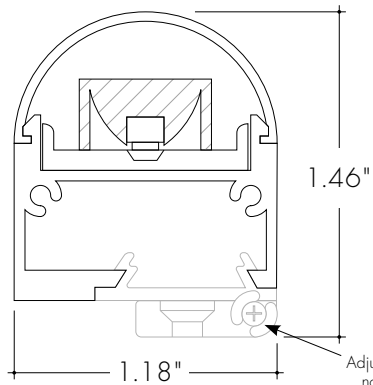
### Ordering Code – 6 weeks typical lead time for F.O.T. strip

MODEL	OPTICS	OUTPUT	CCT	LEFT SIDE	LEFT TYPE	LEFT CONNECTOR	RIGHT SIDE	RIGHT TYPE	RIGHT CONNECTOR	LENGTH (IN)
FOT-FOT FLEX	NA-Narrow AS-Asymmetric	SO-Standard HO-High	27K-2700K 30K-3000K 35K-3500K 40K-4000K	L	E-End feed SF-Side feed forward <sup>1</sup> SB-Side feed backward <sup>1</sup> N-None (end cap) <sup>2</sup>	M-Male F-Female L-Lead wires N-No feed <sup>2</sup>	R	E-End feed SF-Side feed forward <sup>1</sup> SB-Side feed backward <sup>1</sup> N-None (end cap) <sup>2</sup>	M-Male F-Female L-Lead wires N-No feed <sup>2</sup>	View table above for increment options, max strip length limits, and max run length limits.

1 - Side feeds are incompatible (too wide) with extrusions, available for F.O.T. strip only.  
2 - None and No Feed selections must and can only be used together (LNN or RNN).

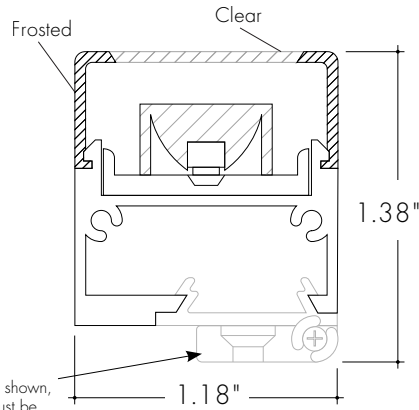
**F.O.T. Extrusions**

**Compatible Extrusions**



FOT Channel, 96 inches, Clear Round Lens

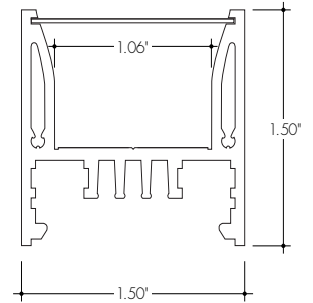
**FOTC-R-96-C-SA**



FOT Channel, 96 inches, Square Lens

**FOTC-S-96-C-SA**

Not Suitable for Asymmetric FOT; use Narrow optic FOT only in these extrusions.

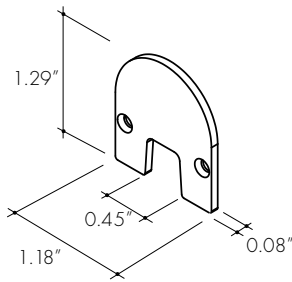


Kilo Channel

**KILOC-144-[LENS]-[FINISH]**

See Kilo Channel specification sheet for channel detail, options, and accessories. Not Suitable for Asymmetric FOT; use Narrow optic FOT only in these extrusions.

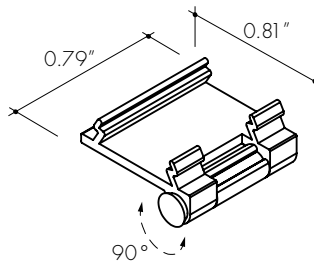
**F.O.T. Extrusions Accessories (not compatible with Kilo extrusion)**



Round Endcap

**EC-FOTC-R-H3-SA**

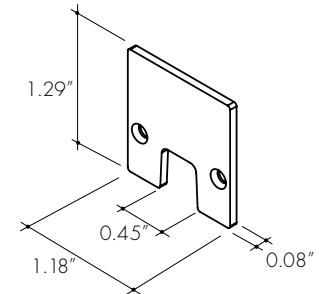
Endcap for channels utilizing the round lens.



Adjustable Bracket

**MB-FOTC-A-SA**

Recommended every 1.5' of channel.

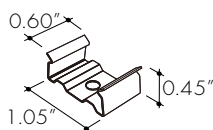


Square Endcap

**EC-FOTC-S-H3-SA**

Endcap for channels utilizing the square lens.

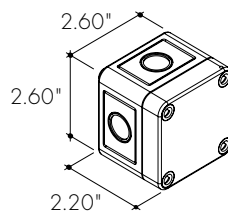
**F.O.T. Accessories**



Mounting Bracket

**MB-FOT-FLEX**

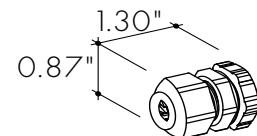
Recommended every 20", when not using a channel.



Splice Box

**LVSP-WET**

Wet rated, low voltage splice box, gray.



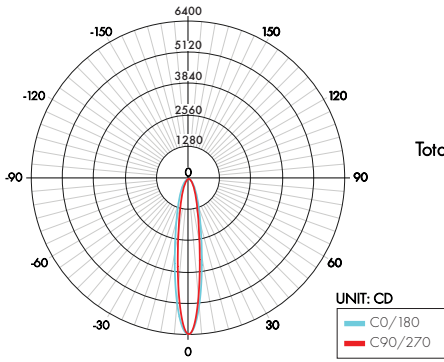
Connector

**LVSP-WET-CM**

Low voltage splice box wet cable, management gray.

Photometry

FOTNA-SO-30K



Zonal Lumen Summary

Zone	Lumen	% Fixture
0-30	1,356	75.5%
0-40	1,519	84.6%
0-60	1,659	92.3%
0-90	1,738	96.8%
0-180	1,796	100.0%

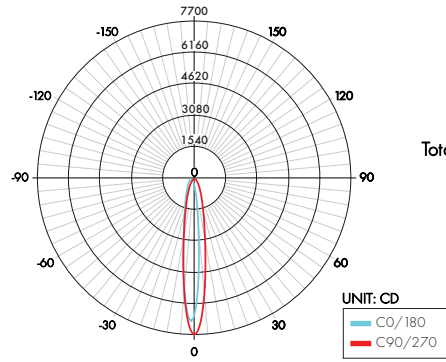
Total

Beam Angle



UNIT: CD  
 C0/180  
 C90/270

FOTNA+HO-30K



Zonal Lumen Summary

Zone	Lumen	% Fixture
0-30	1,657	72.3%
0-40	1,886	82.2%
0-60	2,074	90.5%
0-90	2,189	95.5%
0-180	2,292	100.0%

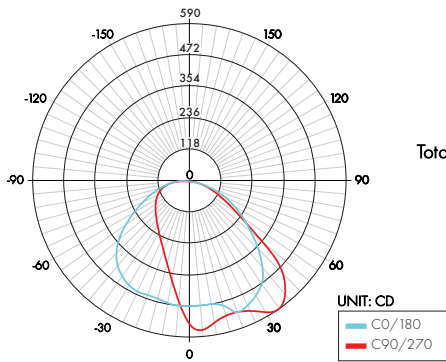
Total

Beam Angle



UNIT: CD  
 C0/180  
 C90/270

FOTAS-SO-3000K



Zonal Lumen Summary

Zone	Lumen	% Fixture
0-30	364	26.9%
0-40	616	45.5%
0-60	1,082	80.0%
0-90	1,301	96.2%
0-180	1,352	100.0%

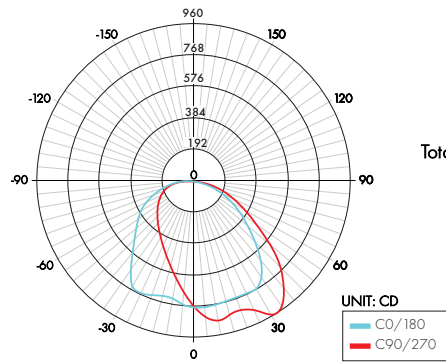
Total

Beam Angle



UNIT: CD  
 C0/180  
 C90/270

FOTAS+HO-3000K



Zonal Lumen Summary

Zone	Lumen	% Fixture
0-30	558	28.4%
0-40	914	46.5%
0-60	1,564	79.6%
0-90	1,894	96.4%
0-180	1,966	100.0%

Total

Beam Angle

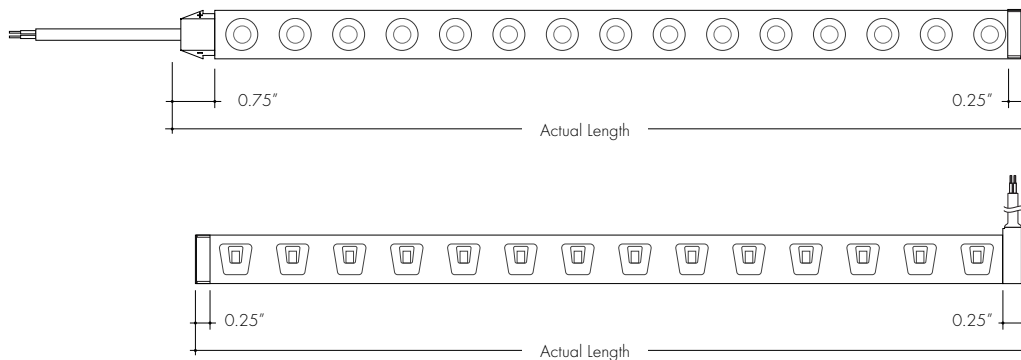


UNIT: CD  
 C0/180  
 C90/270

### Power Consumption

Based on operation with PDC series of power supplies. Use Actual Length for Order Code Entry.

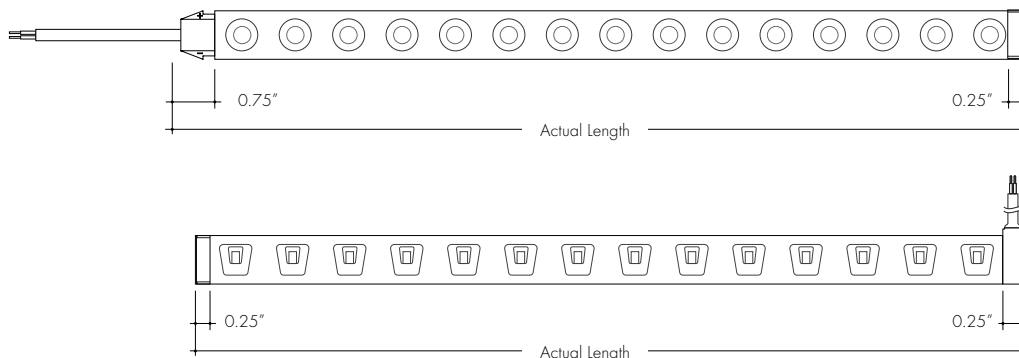
Nominal Length (in)	W	Actual Length (in) FOT-NA-SO					Nominal Length (in)	W	Actual Length (in) FOT-NA-SO				
		N & SF or SB	N & E	E & SF or SB	E & E	SF or SB & SF or SB			N & SF or SB	N & E	E & SF or SB	E & E	SF or SB & SF or SB
6.6	2.6	<b>7.1</b>	<b>7.6</b>	<b>8.1</b>	<b>8.6</b>	<b>7.6</b>	124.6	49.8	<b>125.1</b>	<b>125.6</b>	<b>126.1</b>	<b>126.6</b>	<b>125.6</b>
(1 ft) 13.1	5.2	<b>13.6</b>	<b>14.1</b>	<b>14.6</b>	<b>15.1</b>	<b>14.1</b>	(11 ft) 131.2	52.5	<b>131.7</b>	<b>132.2</b>	<b>132.7</b>	<b>133.2</b>	<b>132.2</b>
19.7	7.9	<b>20.2</b>	<b>20.7</b>	<b>21.2</b>	<b>21.7</b>	<b>20.7</b>	137.7	55.1	<b>138.2</b>	<b>138.7</b>	<b>139.2</b>	<b>139.7</b>	<b>138.7</b>
(2 ft) 26.2	10.5	<b>26.7</b>	<b>27.2</b>	<b>27.7</b>	<b>28.2</b>	<b>27.2</b>	(12 ft) 144.3	57.7	<b>144.8</b>	<b>145.3</b>	<b>145.8</b>	<b>146.3</b>	<b>145.3</b>
32.8	13.1	<b>33.3</b>	<b>33.8</b>	<b>34.3</b>	<b>34.8</b>	<b>33.8</b>	150.9	60.3	<b>151.4</b>	<b>151.9</b>	<b>152.4</b>	<b>152.9</b>	<b>151.9</b>
(3 ft) 39.4	15.7	<b>39.9</b>	<b>40.4</b>	<b>40.9</b>	<b>41.4</b>	<b>40.4</b>	(13 ft) 157.4	63.0	<b>157.9</b>	<b>158.4</b>	<b>158.9</b>	<b>159.4</b>	<b>158.4</b>
(4 ft) 45.9	18.4	<b>46.4</b>	<b>46.9</b>	<b>47.4</b>	<b>47.9</b>	<b>46.9</b>	164.0	65.6	<b>164.5</b>	<b>165</b>	<b>165.5</b>	<b>166</b>	<b>165</b>
52.5	21.0	<b>53</b>	<b>53.5</b>	<b>54</b>	<b>54.5</b>	<b>53.5</b>	(14 ft) 170.5	68.2	<b>171</b>	<b>171.5</b>	<b>172</b>	<b>172.5</b>	<b>171.5</b>
(5 ft) 59.0	23.6	<b>59.5</b>	<b>60</b>	<b>60.5</b>	<b>61</b>	<b>60</b>	(15 ft) 177.1	70.8	<b>177.6</b>	<b>178.1</b>	<b>178.6</b>	<b>179.1</b>	<b>178.1</b>
65.6	26.2	<b>66.1</b>	<b>66.6</b>	<b>67.1</b>	<b>67.6</b>	<b>66.6</b>	183.7	73.5	<b>184.2</b>	<b>184.7</b>	<b>185.2</b>	<b>185.7</b>	<b>184.7</b>
(6 ft) 72.1	28.9	<b>72.6</b>	<b>73.1</b>	<b>73.6</b>	<b>74.1</b>	<b>73.1</b>	(16 ft) 190.2	76.1	<b>190.7</b>	<b>191.2</b>	<b>191.7</b>	<b>192.2</b>	<b>191.2</b>
78.7	31.5	<b>79.2</b>	<b>79.7</b>	<b>80.2</b>	<b>80.7</b>	<b>79.7</b>							
(7 ft) 85.3	34.1	<b>85.8</b>	<b>86.3</b>	<b>86.8</b>	<b>87.3</b>	<b>86.3</b>							
91.8	36.7	<b>92.3</b>	<b>92.8</b>	<b>93.3</b>	<b>93.8</b>	<b>92.8</b>							
(8 ft) 98.4	39.4	<b>98.9</b>	<b>99.4</b>	<b>99.9</b>	<b>100.4</b>	<b>99.4</b>							
104.9	42.0	<b>105.4</b>	<b>105.9</b>	<b>106.4</b>	<b>106.9</b>	<b>105.9</b>							
(9 ft) 111.5	44.6	<b>112</b>	<b>112.5</b>	<b>113</b>	<b>113.5</b>	<b>112.5</b>							
(10 ft) 118.1	47.2	<b>118.6</b>	<b>119.1</b>	<b>119.6</b>	<b>120.1</b>	<b>119.1</b>							



### Power Consumption

Based on operation with PDC series of power supplies. Use Actual Length for Order Code Entry.

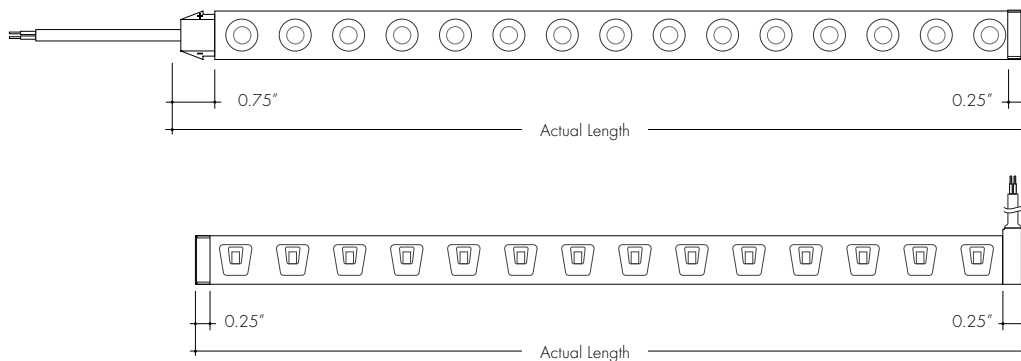
Nominal Length (in)	W	Actual Length (in) FOT-NA-HO				
		N & SF or SB	N & E	E & SF or SB	E & E	SF or SB & SF or SB
6.6	3.2	<b>7.1</b>	<b>7.6</b>	<b>8.1</b>	<b>8.6</b>	<b>7.6</b>
(1 ft) 13.1	6.3	<b>13.6</b>	<b>14.1</b>	<b>14.6</b>	<b>15.1</b>	<b>14.1</b>
19.7	9.5	<b>20.2</b>	<b>20.7</b>	<b>21.2</b>	<b>21.7</b>	<b>20.7</b>
(2 ft) 26.2	12.7	<b>26.7</b>	<b>27.2</b>	<b>27.7</b>	<b>28.2</b>	<b>27.2</b>
32.8	15.9	<b>33.3</b>	<b>33.8</b>	<b>34.3</b>	<b>34.8</b>	<b>33.8</b>
(3 ft) 39.4	19.0	<b>39.9</b>	<b>40.4</b>	<b>40.9</b>	<b>41.4</b>	<b>40.4</b>
(4 ft) 45.9	22.2	<b>46.4</b>	<b>46.9</b>	<b>47.4</b>	<b>47.9</b>	<b>46.9</b>
52.5	25.4	<b>53</b>	<b>53.5</b>	<b>54</b>	<b>54.5</b>	<b>53.5</b>
(5 ft) 59.0	28.5	<b>59.5</b>	<b>60</b>	<b>60.5</b>	<b>61</b>	<b>60</b>
65.6	31.7	<b>66.1</b>	<b>66.6</b>	<b>67.1</b>	<b>67.6</b>	<b>66.6</b>
(6 ft) 72.1	34.9	<b>72.6</b>	<b>73.1</b>	<b>73.6</b>	<b>74.1</b>	<b>73.1</b>
78.7	38.0	<b>79.2</b>	<b>79.7</b>	<b>80.2</b>	<b>80.7</b>	<b>79.7</b>
(7 ft) 85.3	41.2	<b>85.8</b>	<b>86.3</b>	<b>86.8</b>	<b>87.3</b>	<b>86.3</b>
91.8	44.4	<b>92.3</b>	<b>92.8</b>	<b>93.3</b>	<b>93.8</b>	<b>92.8</b>
(8 ft) 98.4	47.6	<b>98.9</b>	<b>99.4</b>	<b>99.9</b>	<b>100.4</b>	<b>99.4</b>
104.9	50.7	<b>105.4</b>	<b>105.9</b>	<b>106.4</b>	<b>106.9</b>	<b>105.9</b>
(9 ft) 111.5	53.9	<b>112</b>	<b>112.5</b>	<b>113</b>	<b>113.5</b>	<b>112.5</b>
(10 ft) 118.1	57.1	<b>118.6</b>	<b>119.1</b>	<b>119.6</b>	<b>120.1</b>	<b>119.1</b>
124.6	60.2	<b>125.1</b>	<b>125.6</b>	<b>126.1</b>	<b>126.6</b>	<b>125.6</b>
(11 ft) 131.2	63.4	<b>131.7</b>	<b>132.2</b>	<b>132.7</b>	<b>133.2</b>	<b>132.2</b>
137.7	66.6	<b>138.2</b>	<b>138.7</b>	<b>139.2</b>	<b>139.7</b>	<b>138.7</b>
(12 ft) 144.3	69.7	<b>144.8</b>	<b>145.3</b>	<b>145.8</b>	<b>146.3</b>	<b>145.3</b>
150.9	72.9	<b>151.4</b>	<b>151.9</b>	<b>152.4</b>	<b>152.9</b>	<b>151.9</b>
(13 ft) 157.4	76.1	<b>157.9</b>	<b>158.4</b>	<b>158.9</b>	<b>159.4</b>	<b>158.4</b>



### Power Consumption

Based on operation with PDC series of power supplies. Use Actual Length for Order Code Entry.

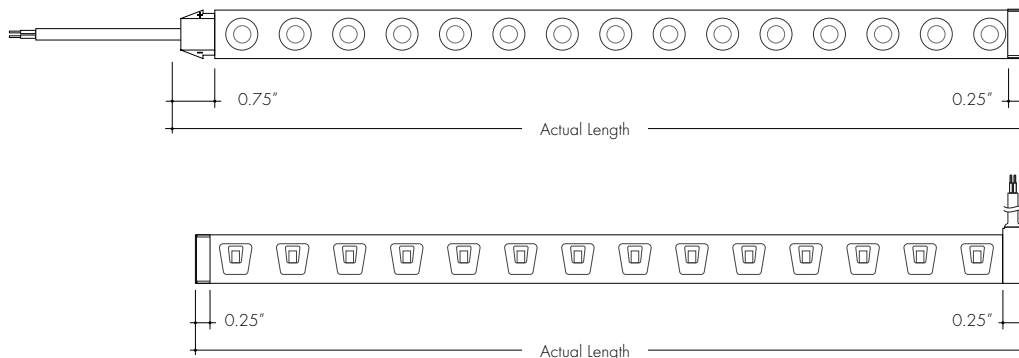
Nominal Length (in)	W	Actual Length (in) FOT-ASSO					Nominal Length (in)	W	Actual Length (in) FOT-ASSO				
		N & SF or SB	N & E	E & SF or SB	E & E	SF or SB & SF or SB			N & SF or SB	N & E	E & SF or SB	E & E	SF or SB & SF or SB
6.6	2.6	<b>7.1</b>	<b>7.6</b>	<b>8.1</b>	<b>8.6</b>	<b>7.6</b>	124.6	49.8	<b>125.1</b>	<b>125.6</b>	<b>126.1</b>	<b>126.6</b>	<b>125.6</b>
(1 ft) 13.1	5.2	<b>13.6</b>	<b>14.1</b>	<b>14.6</b>	<b>15.1</b>	<b>14.1</b>	(11 ft) 131.2	52.5	<b>131.7</b>	<b>132.2</b>	<b>132.7</b>	<b>133.2</b>	<b>132.2</b>
19.7	7.9	<b>20.2</b>	<b>20.7</b>	<b>21.2</b>	<b>21.7</b>	<b>20.7</b>	137.7	55.1	<b>138.2</b>	<b>138.7</b>	<b>139.2</b>	<b>139.7</b>	<b>138.7</b>
(2 ft) 26.2	10.5	<b>26.7</b>	<b>27.2</b>	<b>27.7</b>	<b>28.2</b>	<b>27.2</b>	(12 ft) 144.3	57.7	<b>144.8</b>	<b>145.3</b>	<b>145.8</b>	<b>146.3</b>	<b>145.3</b>
32.8	13.1	<b>33.3</b>	<b>33.8</b>	<b>34.3</b>	<b>34.8</b>	<b>33.8</b>	150.9	60.3	<b>151.4</b>	<b>151.9</b>	<b>152.4</b>	<b>152.9</b>	<b>151.9</b>
(3 ft) 39.4	15.7	<b>39.9</b>	<b>40.4</b>	<b>40.9</b>	<b>41.4</b>	<b>40.4</b>	(13 ft) 157.4	63.0	<b>157.9</b>	<b>158.4</b>	<b>158.9</b>	<b>159.4</b>	<b>158.4</b>
(4 ft) 45.9	18.4	<b>46.4</b>	<b>46.9</b>	<b>47.4</b>	<b>47.9</b>	<b>46.9</b>	164.0	65.6	<b>164.5</b>	<b>165</b>	<b>165.5</b>	<b>166</b>	<b>165</b>
52.5	21.0	<b>53</b>	<b>53.5</b>	<b>54</b>	<b>54.5</b>	<b>53.5</b>	(14 ft) 170.5	68.2	<b>171</b>	<b>171.5</b>	<b>172</b>	<b>172.5</b>	<b>171.5</b>
(5 ft) 59.0	23.6	<b>59.5</b>	<b>60</b>	<b>60.5</b>	<b>61</b>	<b>60</b>	(15 ft) 177.1	70.8	<b>177.6</b>	<b>178.1</b>	<b>178.6</b>	<b>179.1</b>	<b>178.1</b>
65.6	26.2	<b>66.1</b>	<b>66.6</b>	<b>67.1</b>	<b>67.6</b>	<b>66.6</b>	183.7	73.5	<b>184.2</b>	<b>184.7</b>	<b>185.2</b>	<b>185.7</b>	<b>184.7</b>
(6 ft) 72.1	28.9	<b>72.6</b>	<b>73.1</b>	<b>73.6</b>	<b>74.1</b>	<b>73.1</b>	(16 ft) 190.2	76.1	<b>190.7</b>	<b>191.2</b>	<b>191.7</b>	<b>192.2</b>	<b>191.2</b>
78.7	31.5	<b>79.2</b>	<b>79.7</b>	<b>80.2</b>	<b>80.7</b>	<b>79.7</b>							
(7 ft) 85.3	34.1	<b>85.8</b>	<b>86.3</b>	<b>86.8</b>	<b>87.3</b>	<b>86.3</b>							
91.8	36.7	<b>92.3</b>	<b>92.8</b>	<b>93.3</b>	<b>93.8</b>	<b>92.8</b>							
(8 ft) 98.4	39.4	<b>98.9</b>	<b>99.4</b>	<b>99.9</b>	<b>100.4</b>	<b>99.4</b>							
104.9	42.0	<b>105.4</b>	<b>105.9</b>	<b>106.4</b>	<b>106.9</b>	<b>105.9</b>							
(9 ft) 111.5	44.6	<b>112</b>	<b>112.5</b>	<b>113</b>	<b>113.5</b>	<b>112.5</b>							
(10 ft) 118.1	47.2	<b>118.6</b>	<b>119.1</b>	<b>119.6</b>	<b>120.1</b>	<b>119.1</b>							



### Power Consumption

Based on operation with PDC series of power supplies. Use Actual Length for Order Code Entry.

Nominal Length (in)	W	Actual Length (in) FOT-AS-HO				
		N & SF or SB	N & E	E & SF or SB	E & E	SF or SB & SF or SB
(1 ft) 8.5	3.7	<b>9</b>	<b>9.5</b>	<b>10</b>	<b>10.5</b>	<b>9.5</b>
16.9	7.3	<b>17.4</b>	<b>17.9</b>	<b>18.4</b>	<b>18.9</b>	<b>17.9</b>
(2 ft) 25.4	11.0	<b>25.9</b>	<b>26.4</b>	<b>26.9</b>	<b>27.4</b>	<b>26.4</b>
(3 ft) 33.9	14.7	<b>34.4</b>	<b>34.9</b>	<b>35.4</b>	<b>35.9</b>	<b>34.9</b>
42.3	18.3	<b>42.8</b>	<b>43.3</b>	<b>43.8</b>	<b>44.3</b>	<b>43.3</b>
(4 ft) 50.8	22.0	<b>51.3</b>	<b>51.8</b>	<b>52.3</b>	<b>52.8</b>	<b>51.8</b>
(5 ft) 59.3	25.7	<b>59.8</b>	<b>60.3</b>	<b>60.8</b>	<b>61.3</b>	<b>60.3</b>
67.7	29.3	<b>68.2</b>	<b>68.7</b>	<b>69.2</b>	<b>69.7</b>	<b>68.7</b>
(6 ft) 76.2	33.0	<b>76.7</b>	<b>77.2</b>	<b>77.7</b>	<b>78.2</b>	<b>77.2</b>
(7 ft) 84.6	36.7	<b>85.1</b>	<b>85.6</b>	<b>86.1</b>	<b>86.6</b>	<b>85.6</b>
(8 ft) 93.1	40.3	<b>93.6</b>	<b>94.1</b>	<b>94.6</b>	<b>95.1</b>	<b>94.1</b>
101.6	44.0	<b>102.1</b>	<b>102.6</b>	<b>103.1</b>	<b>103.6</b>	<b>102.6</b>
(9 ft) 110.0	47.7	<b>110.5</b>	<b>111</b>	<b>111.5</b>	<b>112</b>	<b>111</b>
(10 ft) 118.5	51.4	<b>119</b>	<b>119.5</b>	<b>120</b>	<b>120.5</b>	<b>119.5</b>
127.0	55.0	<b>127.5</b>	<b>128</b>	<b>128.5</b>	<b>129</b>	<b>128</b>
(11 ft) 135.4	58.7	<b>135.9</b>	<b>136.4</b>	<b>136.9</b>	<b>137.4</b>	<b>136.4</b>
(12 ft) 143.9	62.4	<b>144.4</b>	<b>144.9</b>	<b>145.4</b>	<b>145.9</b>	<b>144.9</b>
(13 ft) 152.4	66.0	<b>152.9</b>	<b>153.4</b>	<b>153.9</b>	<b>154.4</b>	<b>153.4</b>
160.8	69.7	<b>161.3</b>	<b>161.8</b>	<b>162.3</b>	<b>162.8</b>	<b>161.8</b>
(14 ft) 169.3	73.4	<b>169.8</b>	<b>170.3</b>	<b>170.8</b>	<b>171.3</b>	<b>170.3</b>
(15 ft) 177.8	77.0	<b>178.3</b>	<b>178.8</b>	<b>179.3</b>	<b>179.8</b>	<b>178.8</b>
186.2	80.7	<b>186.7</b>	<b>187.2</b>	<b>187.7</b>	<b>188.2</b>	<b>187.2</b>



### Power Supplies

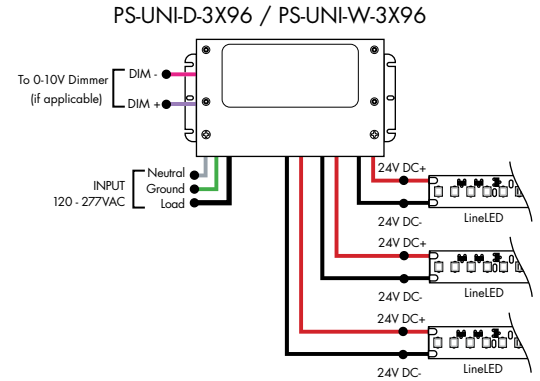
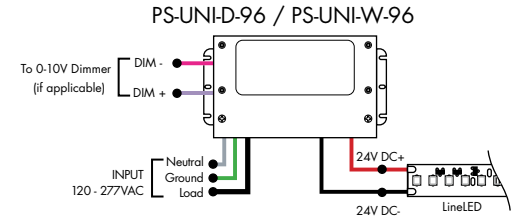
See Power Supply instructions and spec sheet for wiring information. For a complete list of compatible dimmers, see Compatible Dimming Chart on the Resources page.

#### Ordering Code Universal Dimming Power Supplies 1% 120VAC - 277VAC

MODEL	INPUT CONTROL	ENVIRONMENT	WATTAGE	OUTPUT
PS-Power Supply, 120-277VAC	UNI-0-10V Dimming, Phase Dimming	D-Dry W-Wet	30-30 Watts 60-60 Watts 96-96 Watts 3x96-3x96 Watts	24-24 VDC

Compatibility: View a complete list of compatible dimmers on product page [\(Link\)](#)

0-10V - 1% dimming  
MLV/ELV/TRIAC - 1% dimming, consult dimming compatibility chart



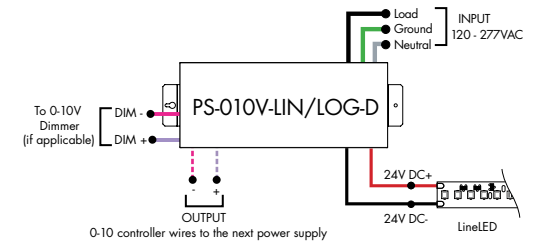
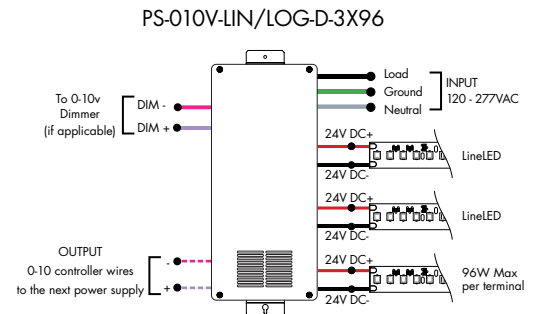
MODELS	PS-UNI-W-30W	PS-UNI-W-60W	PS-UNI-W-96W	PS-UNI-W-3X96W
Length	6.50"	7.40"	8.66"	11.85"
Width	3.73"	3.73"	3.73"	4.32"
Depth	1.61"	1.61"	1.61"	1.81"

MODELS	PS-UNI-D-30W	PS-UNI-D-60W	PS-UNI-D-96W	PS-UNI-D-3X96W
Length	8.77"	8.77"	8.11"	9.94"
Width	4.27"	4.27"	5.60"	7.61"
Depth	1.83"	1.83"	1.83"	2.02"

#### Ordering Code 0-10V Dimming Power Supplies 0.1% 120VAC - 277VAC

MODEL	INPUT CONTROL	ENVIRONMENT	WATTAGE	OUTPUT
PS-Power Supply, 120-277VAC	010V-LIN-0-10V Dimming (0.1%), Linear 010V-LOG-0-10V Dimming (0.1%), Logarithmic	D-Dry	96-96 Watts 3X96-3x96 Watts	24-24 VDC

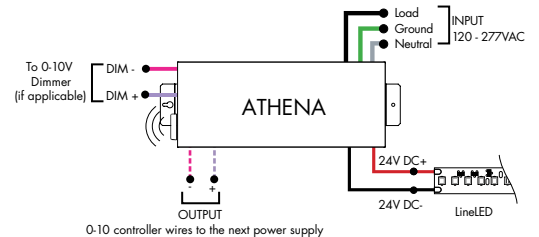
MODELS	96W	3X96
Length	14.40"	15.00"
Width	5.20"	6.62"
Depth	2.60"	4.45"



#### Athena 0-10V LED Driver

MODEL	INPUT CONTROL	ENVIRONMENT	WATTAGE	OUTPUT	FEATURE
PS-Power Supply, 120-277VAC	010V-LIN-0-10V Dimming, Linear 010V-LOG-0-10V Dimming, Logarithmic	D-Dry	96-96 W	24-24 VDC	AWNR-Athena

MODELS	96W
Length	14.40"
Width	5.20"
Depth	2.60"

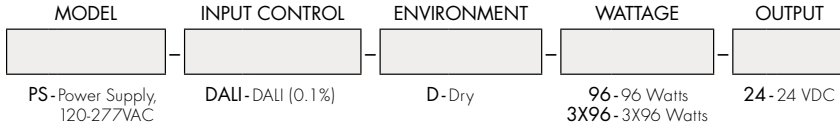




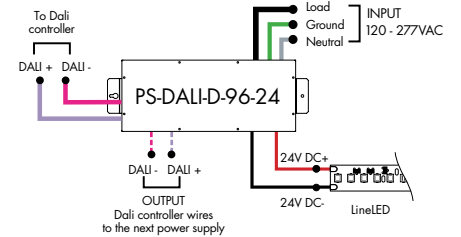
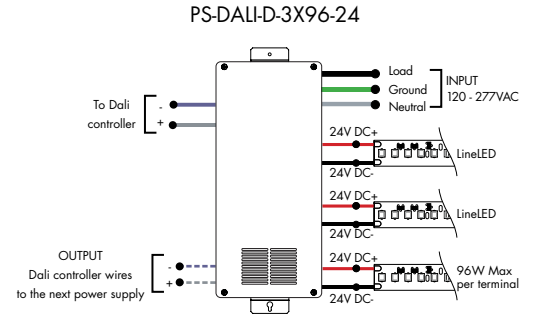
## Power Supplies

See Power Supply instructions and spec sheet for wiring information. For a complete list of compatible dimmers, see Compatible Dimming Chart on the Resources page.

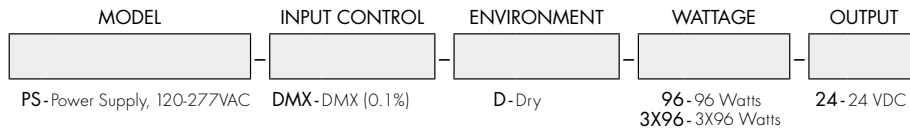
### Ordering Code DALI1 Dimming Power Supplies 0.1% 120VAC - 277VAC



Model	96W	3X96
Length	14.40"	15.00"
Width	5.20"	6.62"
Depth	2.60"	4.56"

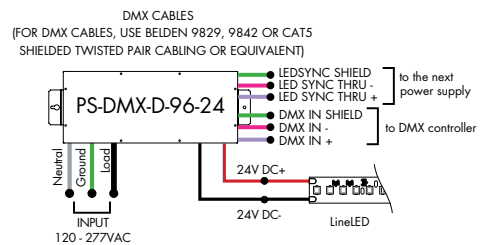
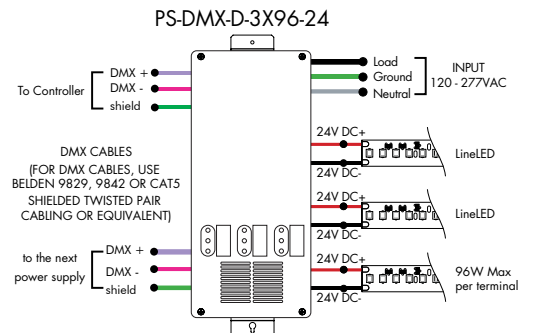


### Ordering Code DMX Dimming Power Supplies 0.1% 120VAC - 277VAC Requires Zonal Control

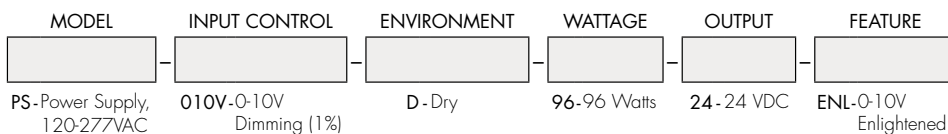


\*Zonal control power supplies. Control multiple tapes/zones using DMX channels.

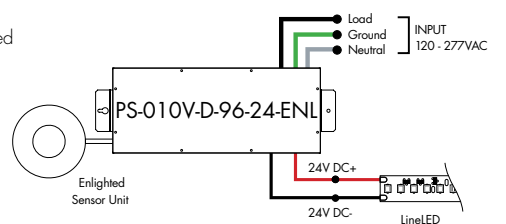
MODELS	96W	3X96
Length	14.40"	15.00"
Width	5.20"	6.62"
Depth	2.60"	4.56"



### Ordering Code Enlighted Enabled Dimming Power Supplies 1% 120VAC - 277VAC



Model	96W
Length	14.40"
Width	5.20"
Depth	2.60"

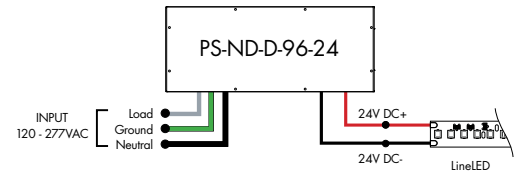


## Power Supplies

See Power Supply instructions and spec sheet for wiring information. For a complete list of compatible dimmers, see Compatible Dimming Chart on the Resources page.

### Ordering Code Non-Dimming Power Supply 120VAC - 277VAC

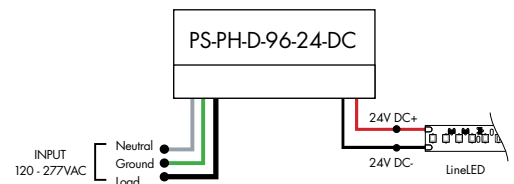
MODEL	INPUT CONTROL	ENVIRONMENT	WATTAGE	OUTPUT
PS - Power Supply, 120-277VAC	ND - Non Dimming	D - Dry	96-96 Watts	24 - 24 VDC



MODELS	96W
Length	14.40"
Width	5.20"
Depth	2.60"

### Ordering Code Phase Dimming Power Supply 1% 120VAC - 277VAC

MODEL	INPUT CONTROL	ENVIRONMENT	WATTAGE	OUTPUT	OUTPUT CONTROL
PS - Power Supply, 120-277VAC	PH - Phase Dimming (Triac, ELV, MLV)	D - Dry	96 - 96 Watts	24 - 24 VDC	DC - Direct Current



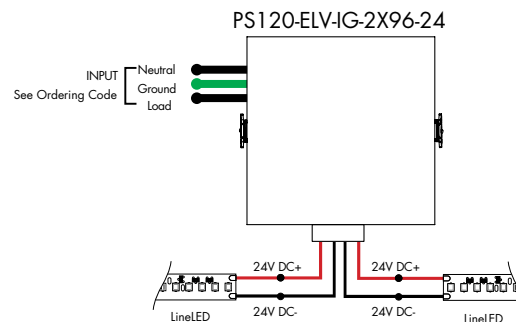
MLV/ELV/TRIAC - 1% dimming, consult dimming compatibility chart ([link](#))

NOTE:  
OVER THE WHITE, GREEN, AND BLACK WIRES,  
CONNECT TO ELV OR MLV DIMMER

MODELS	96W
Length	8.25"
Width	4.10"
Depth	1.56"

### Ordering Code In-Ground Power Supplies

MODEL	INPUT CONTROL	ENVIRONMENT	WATTAGE	OUTPUT
PS120 - Power Supply, 120VAC PS240 - Power Supply, 240VAC PS277 - Power Supply, 277VAC	ELV - ELV Dimming (1%)	IG - In Ground	2X96 - 2X96 Watts	24 - 24 VDC



MODELS	2X96W
Length	8.40"
Width	8.30"
Depth	8.10"

## Power Supplies

See Power Supply instructions and spec sheet for wiring information. For a complete list of compatible dimmers, see Compatible Dimming Chart on the Resources page.



Luminii is a Lutron OEM Advantage Partner

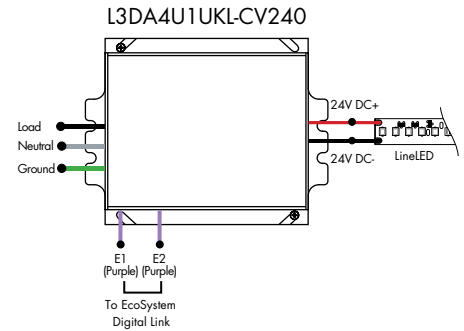
**Lutron Power Supplies 1%**

MODEL

**L3DA4U1UKL-CV240**

HiLume™ 1% EcoSystem Voltage LED driver  
40W max

MODELS	L3DA4U1UKL-CV240
<b>Length</b>	4.98"
<b>Width</b>	4.00"
<b>Depth</b>	2.62"



Luminii is a Lutron OEM Advantage Partner

**Lutron Power Supplies 0.1%**

MODEL

**L3D0-96W24V-U**

HiLume™ 0.1% EcoSystem Voltage LED Driver with Soft-On, Fade-to-Black™  
96W max

MODELS	L3D0
<b>Length</b>	10.50"
<b>Width</b>	5.50"
<b>Depth</b>	2.00"

