

Flex™F.O.T Installation Instructions

Please read all instructions prior to installation and keep for future reference!



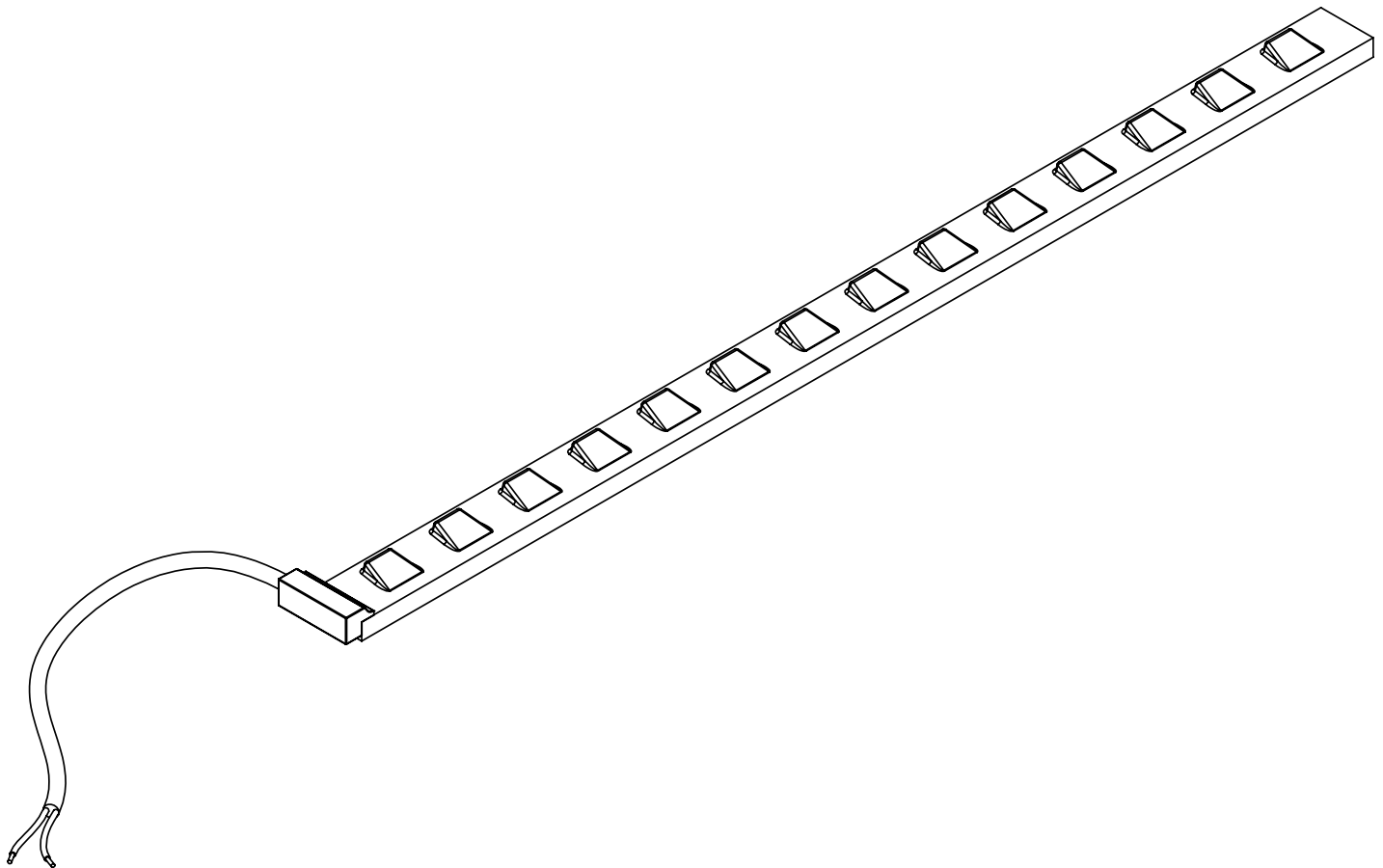
Intertek

REV1.7
10082024

1 / 6



7777 Merrimac Ave
Niles, IL 60714
T 224.333.6033
F 224.757.7557
info@luminii.com
www.luminii.com



Flex™ F.O.T Installation Instructions for F.O.T. Flex



Intertek

REV1.
10082024

2 / 6

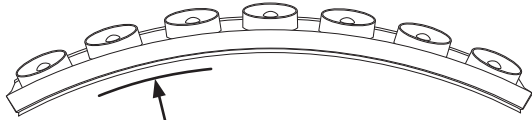


7777 Merrimac Ave
Niles, IL 60714
T 224.333.6033
F 224.757.7557
info@luminii.com
www.luminii.com

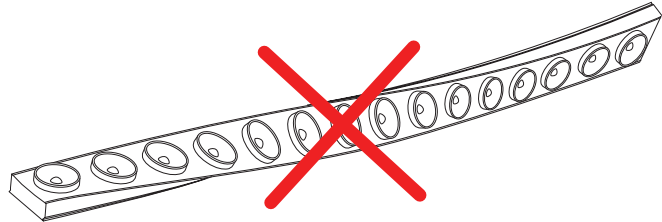
Please read all instructions prior to installation and keep for future reference!

1. PRODUCT TO BE INSTALLED BY A QUALIFIED ELECTRICIAN.
2. USE ONLY WITH CLASS 2 POWER UNIT
3. 24 VOLTS DC
4. SUITABLE FOR WET LOCATIONS
5. SURFACE MOUNT ONLY

CAUTION: Reference diagram below for Bending radius during the installation.

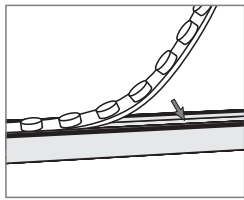


Do not bend F.O.T.™ Flex strip further than a 7" diameter.

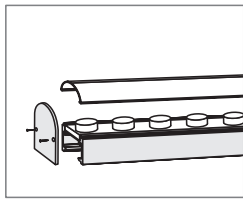


Twisting F.O.T.™ Flex, will cause damage to the LED and optics.

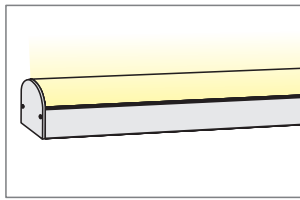
Extrusion Installation



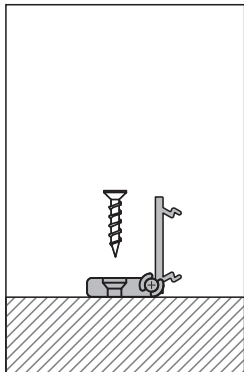
1



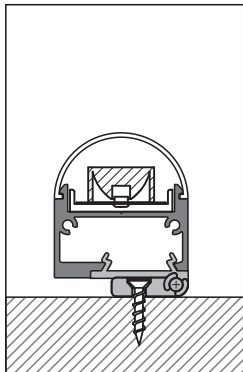
2



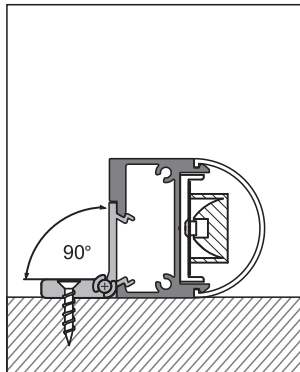
3



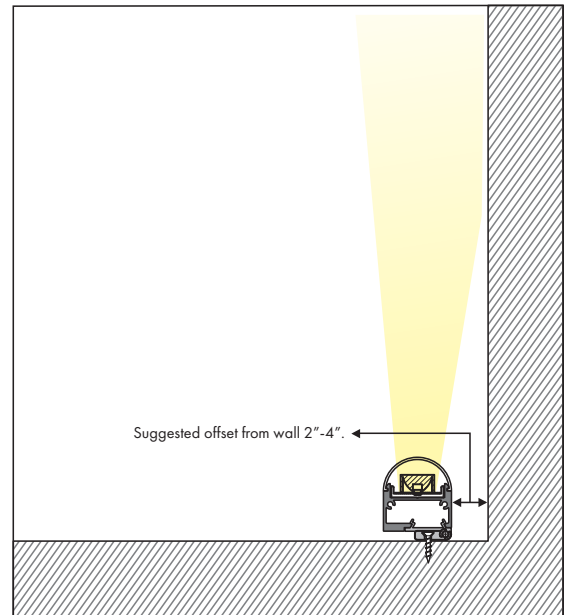
4



5



6



7

Suggested offset from wall 2"-4"

Flex™ F.O.T Installation Instructions for F.O.T. Flex



Intertek

REV1.
10082024

3 / 6



7777 Merrimac Ave
Niles, IL 60714
T 224.333.6033
F 224.757.7557
info@luminii.com
www.luminii.com

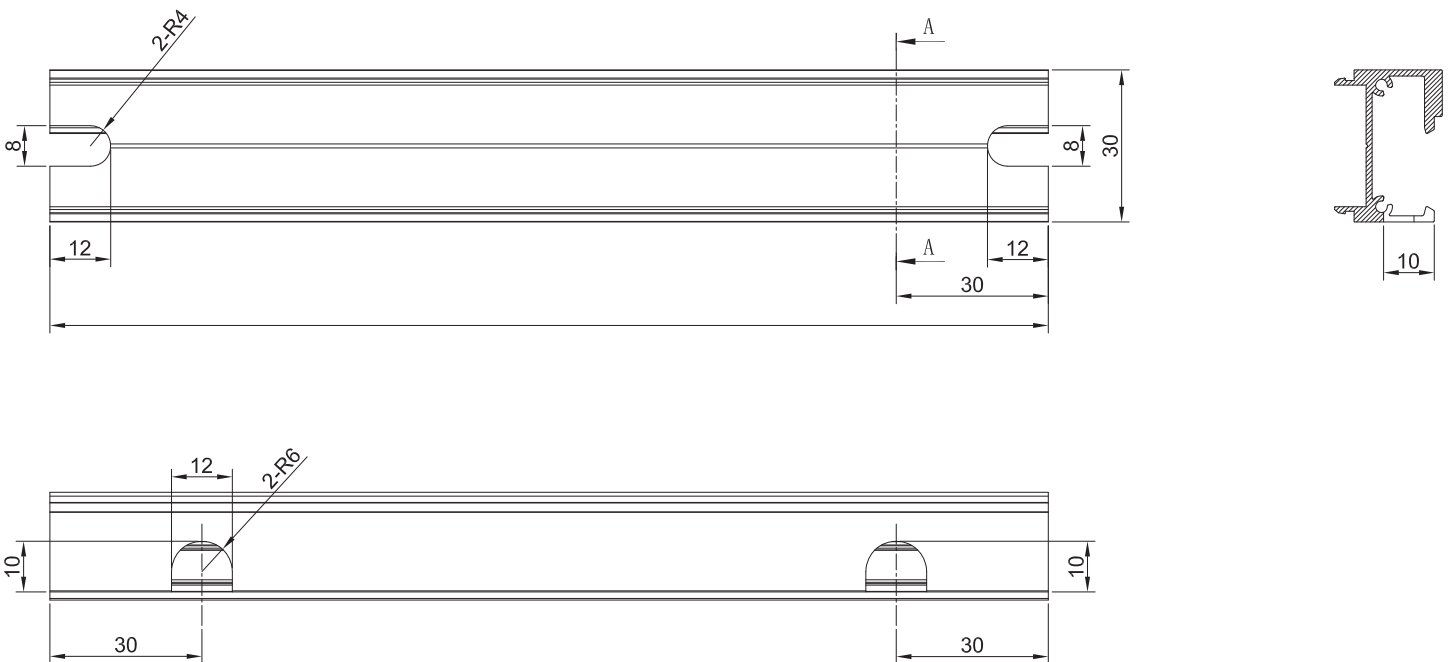
Please read all instructions prior to installation and keep for future reference!

1. PRODUCT TO BE INSTALLED BY A QUALIFIED ELECTRICIAN.
2. USE ONLY WITH CLASS 2 POWER UNIT
3. 24 VOLTS DC
4. SUITABLE FOR WET LOCATIONS
5. SURFACE MOUNT ONLY

Extrusion options

Aluminum Extrusion Length 1046/2046 mm includes 4 notches to feed wire out of back or side of extruded housing.

* Sideded F.O.T Strip is only compatible for the wall grazer strip, which utilizes spring clips.



*Recommended Modifications

It is only recommended to modify the extrusion by cutting to length. CUTTING WIRE FEED NOTCHES IS NOT RECOMMENDED.

Flex™ F.O.T Installation Instructions for F.O.T. Flex



Intertek

REV1.
10082024

4 / 6

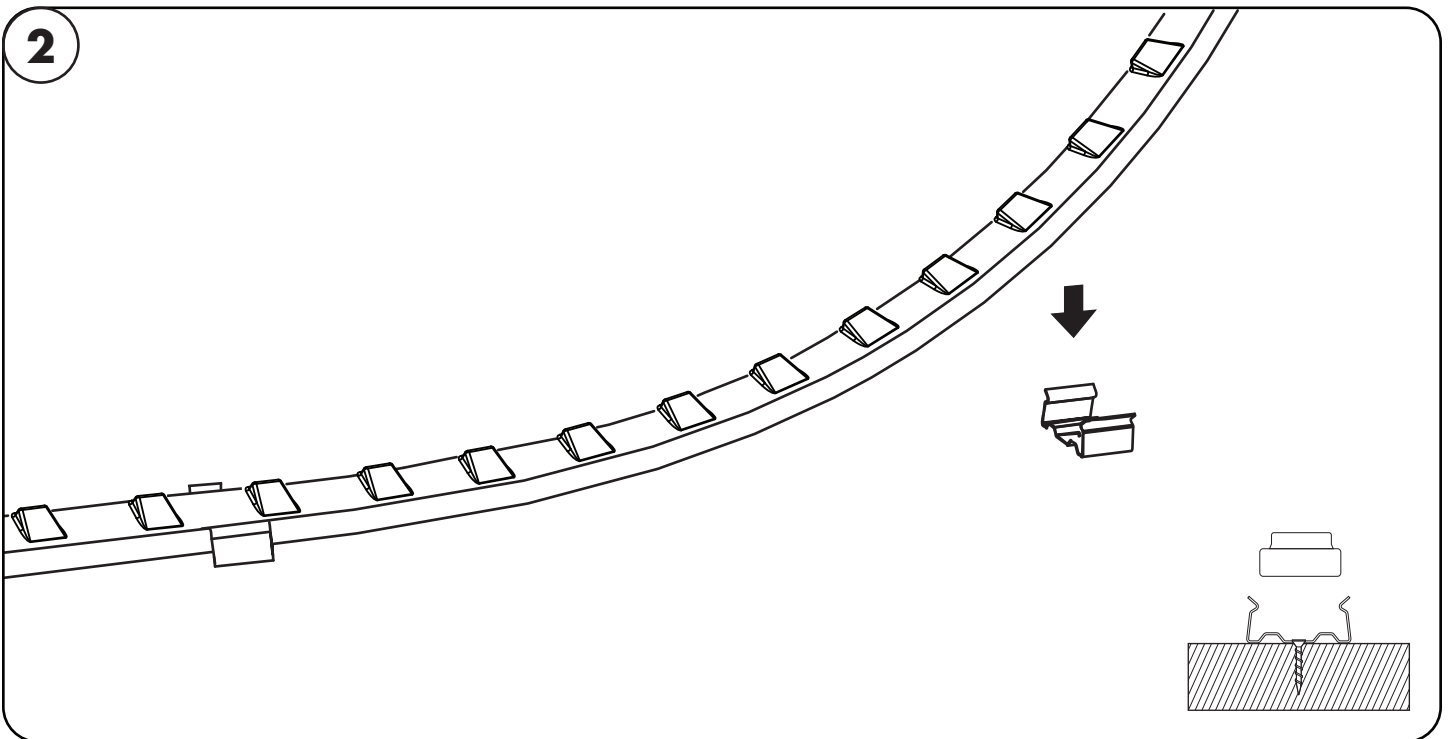
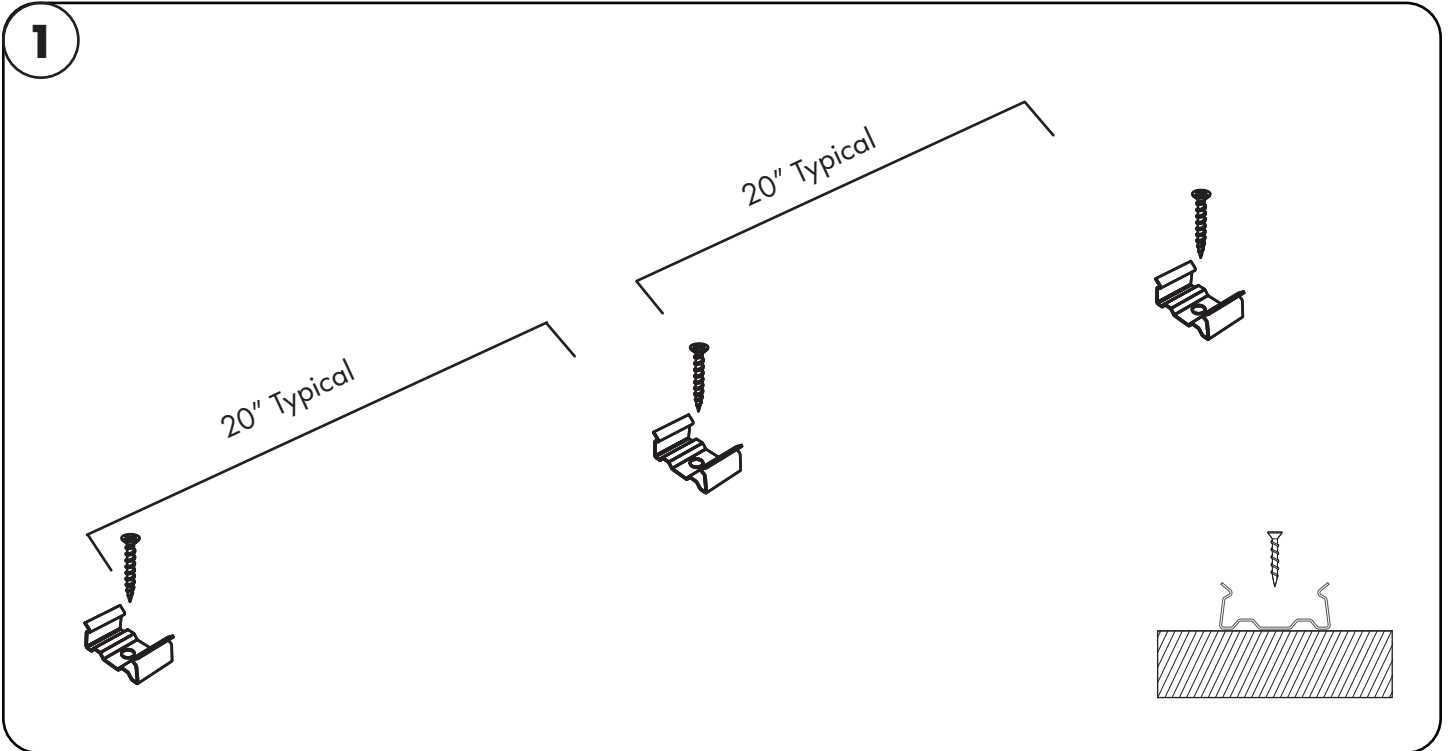


7777 Merrimac Ave
Niles, IL 60714
T 224.333.6033
F 224.757.7557
info@luminii.com
www.luminii.com

Please read all instructions prior to installation and keep for future reference!

1. PRODUCT TO BE INSTALLED BY A QUALIFIED ELECTRICIAN.
2. USE ONLY WITH CLASS 2 POWER UNIT
3. 24 VOLTS DC
4. SUITABLE FOR WET LOCATIONS
5. SURFACE MOUNT ONLY

Clip Installation



Flex™ F.O.T Installation Instructions for F.O.T. Flex



Intertek

REV1.
10082024

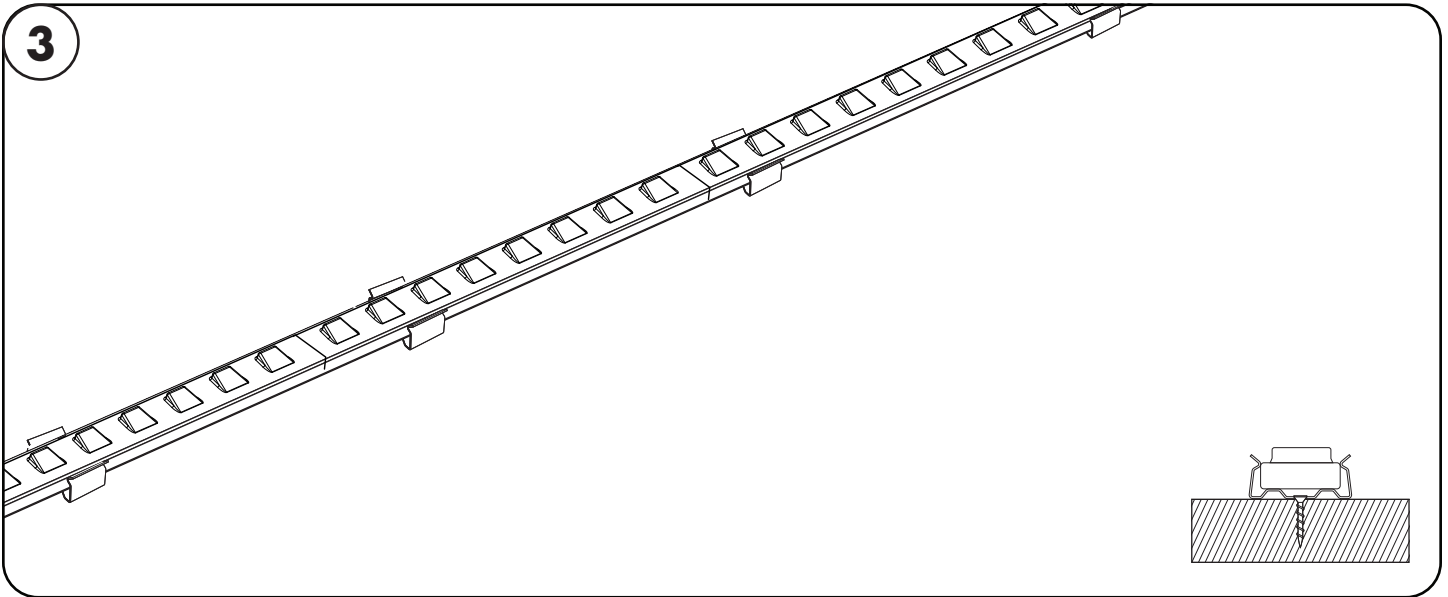
5 / 6



7777 Merrimac Ave
Niles, IL 60714
T 224.333.6033
F 224.757.7557
info@luminii.com
www.luminii.com

Please read all instructions prior to installation and keep for future reference!

1. PRODUCT TO BE INSTALLED BY A QUALIFIED ELECTRICIAN.
2. USE ONLY WITH CLASS 2 POWER UNIT
3. 24 VOLTS DC
4. SUITABLE FOR WET LOCATIONS
5. SURFACE MOUNT ONLY



Flex™ F.O.T Installation Instructions for F.O.T. Flex



Intertek

REV1.
10082024

6 / 6



7777 Merrimac Ave
Niles, IL 60714
T 224.333.6033
F 224.757.7557
info@luminii.com
www.luminii.com

Please read all instructions prior to installation and keep for future reference!

1. PRODUCT TO BE INSTALLED BY A QUALIFIED ELECTRICIAN.
2. USE ONLY WITH CLASS 2 POWER UNIT
3. 24 VOLTS DC
4. SUITABLE FOR WET LOCATIONS
5. SURFACE MOUNT ONLY

4

- 4.1 Clean the area thoroughly where the LED strip will be installed.
- 4.2 Remove the paper backing from the LED strip and firmly press down making sure there are no air bubbles that can cause surface irregularities
- 4.3 Install LL-ZIP Strain Relief Clip 3" away from the end of the strip.

paper backing

ripple

NOTE - When removing backing & laying Express strip to surface avoid ripples.

NOTE - Avoid bending the Express strip in flat bends which may damage the LEDs.

LL-ZIP
Strain Relief Clip

5

- 5.1 Place the strain relief in desired place. Make sure it is 3" away from the end of the strip.
- 5.2 Slide the ziptie through strain relief opening.
- 5.3 Lay wire lead on top of strain relief.
- 5.4 Tighten zip tie around lead wire. Cut off excess zip tie.

3"

Wire lead

Screw

LL-ZIP Strain relief

Zip tie

Can also be placed horizontally as an option.

Power Supply Wiring Diagram

Note: Prior to installation all 24VDC wires must be present near fixture. Refer to the power supply installation instructions for additional information.



Static White
Wiring Diagram PDF