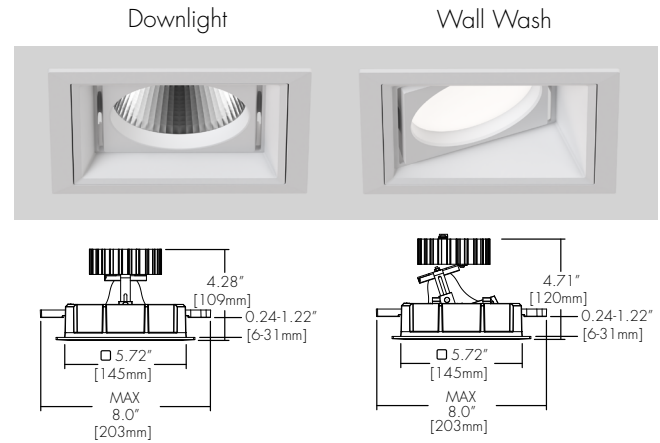


## Features

- Ceiling thickness must be between 1/4" and 1" (6mm & 25mm).
- Faceted and Smooth metal reflectors provide beam spreads between 10° to 80°.
- Nine drivers selections available to cover wide range of applications.
- Four output options available up to 3000 lumens.
- Five year warranty.

## Finish Options

- White
- Black
- Silver



## Technical Information

TYPE	WD1830				TW2765	
	1000 lm	1500 lm	2000 lm	3000 lm	1500 lm	3000 lm
<b>OUTPUT OPTIONS</b>						
<b>Fixture wattage</b>	11.2 W	16.2 W	21.2 W	31.8 W	16.37 W	34.33 W
<b>Delivered Lumen at full on</b>	1072 lm	1563 lm	2006 lm	2822 lm	1500 lm	2924 lm
<b>Efficacy</b>	96 lm/W	96 lm/W	95 lm/W	89 lm/W	92 lm/W	85 lm/W
<b>Center Beam Candlepower (10° Faceted Reflector)</b>	8012 cd	11682 cd	14992 cd	21091 cd	11211 cd	21853 cd

CCT	CRI	TM-30		
		R <sub>f</sub>	R <sub>g</sub>	R <sub>9</sub>
<b>1800K</b>	94	90	93	61
<b>3000K</b>	94	89	97	72
<b>2700K</b>	91	90	96	59
<b>6500K</b>	93	87	97	73

## Ordering Code

Example: Fixture ENY3-D-TR-10-WD1830-F10-NA-WH-WH  
HRM-ENY3-D-TR-10-WD1830-PHSD-NA

MODEL	TYPE	TRIM	OUTPUT	CCT	OPTIC	ACCESSORY	TRIM FINISH	BAFFLE FINISH
ENY3-Enyo 3"	D-Fixed Downlight W-Wall Wash <sup>1</sup>	TR-Trimmed	10-1000 lumens 15-1500 lumens 20-2000 lumens 30-3000 lumens	WD1830-Warm Dim, 1800K-3000K TW2765-Tunable White, 2700K-6500K <sup>7,8,9</sup>	F10-10 Degree, Faceted F18-18 Degree, Faceted F30-30 Degree, Faceted F45-45 Degree, Faceted F60-60 Degree, Smooth S30-30 Degree, Smooth S45 45 Degree, Smooth S80 80 Degree, Smooth	NA-No Accessory CL-Clear Lens DL-Diffusing Lens HC-Honeycomb Louver SL-Solite Lens	WH-White BK-Black SL-Silver	WH-White BK-Black SL-Silver
HOUSING	MODEL	TRIM	OUTPUT	CCT	DRIVER	DRIVER OPTIONS		
HRM-Remote Power Supply (Non-IC) HP-New Construction Pan (Non-IC) HIC-Housing, IC Rated <sup>2</sup>	ENY3-D-Enyo 3" Fixed Downlight ENY3-W-Enyo 3" Wall Wash	Same as Fixture	Same as Fixture	Same as Fixture	PHSD-Forward/Reverse Phase, 1% Dimming, 120V Only 010S-0-10V, 1% Dimming, 120/277V 0103-0-10V, 1% Dimming, 347V Only 010L-EldoLED, 0-10V, Linear, 0.1% Dimming, 120/277V 010G-EldoLED, 0-10V, Log, 0.1% Dimming, 120/277V DALI-EldoLED, DALI Protocol 2, DT-6, 0.1% Dimming, 120/277V DALI8-EldoLED, DALI Protocol 2, DT-8, 0.1% Dimming, 120/277V <sup>4</sup> LUTE-Lutron Hilume Ecodigital, 1% Dimming, 120V/277V <sup>3,4</sup> DMX-EldoLED, DMX, 0.1% Dimming, 120V/277V <sup>4</sup>	NA-None EMG-Emergency Driver <sup>4,5</sup> AWN- Athena <sup>6</sup>		

1 - Wall Wash is only available with Optic F18 - 18 Degree, Faceted and DL - Diffusing Lens.  
2 - Housing HIC is not available when output exceeds 1500 lumens.  
3 - LUTE driver is not available at 700 lumens.  
4 - Drivers DALI8/LUTE/DMX/EMG are only available with HRM - Remote Power Supply.

5 - Emergency option comes prewired from factory with driver in remote housing. 8W of continuous power provided for a minimum of 90 minutes. Must be installed within 30 feet of luminaire using 18 AWG wire. Only available with 010S/010L/010G/PHSD/DALI Drivers.  
6 - AWNR only available with HP/HIC Housings and 010S Driver.  
7 - TW2765 only available with 1500/3000 lumens.  
8 - TW2765 only available with Drivers 010L/010G/DALI8/DMX. Cannot use with EMG.  
9 - TW2765 requires HRM - Remote Power Supply.

CONTACT FACTORY FOR MORE OPTIONS

## Dimensions

Trimmed



## Downlight & Adjustable Lens

**CL**  
Clear Lens



**DL**  
Diffusing Lens



**HC**  
Honeycomb Louver



**SL**  
Solite Lens



## Wall Wash Lens

**DL**  
Diffusing Lens



## Optics

Faceted Reflector  
(10°, 18°, 30°, 45°, 60°)



Smooth Reflector  
(30°, 45°, 80°)

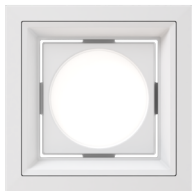


## Trim Finishes

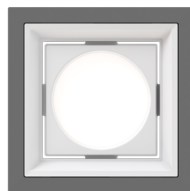
**01**  
Black



**02**  
White

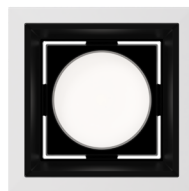


**08**  
Silver

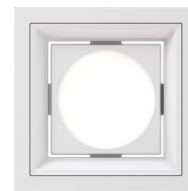


## Baffle Finishes

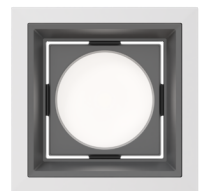
**01**  
Black



**02**  
White



**08**  
Silver



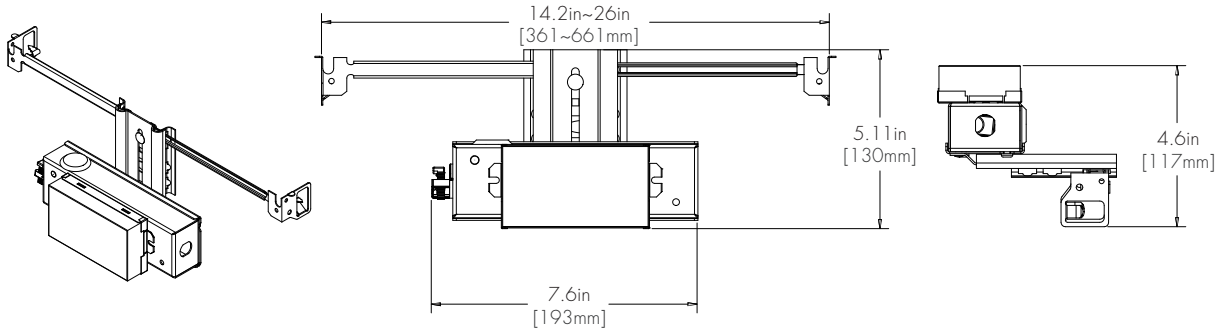
Any combination may be used for Trim and Baffle finishes.

## Remote Driver Housing

Maximum mounting distance to luminaire using 18 AWG wire

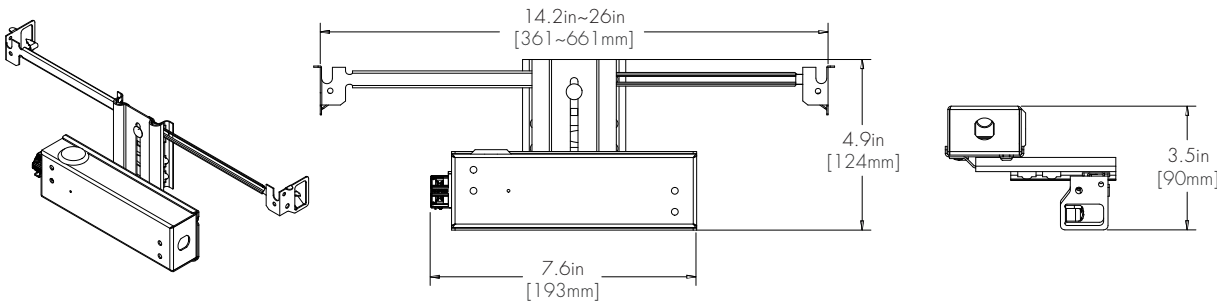
010S	PHSD	010L	010G	DALI DALI8	DMX	LUTE
16'	16'	72'	72'	72'	149'	15'

### HRM Single with Externally Mounted Driver



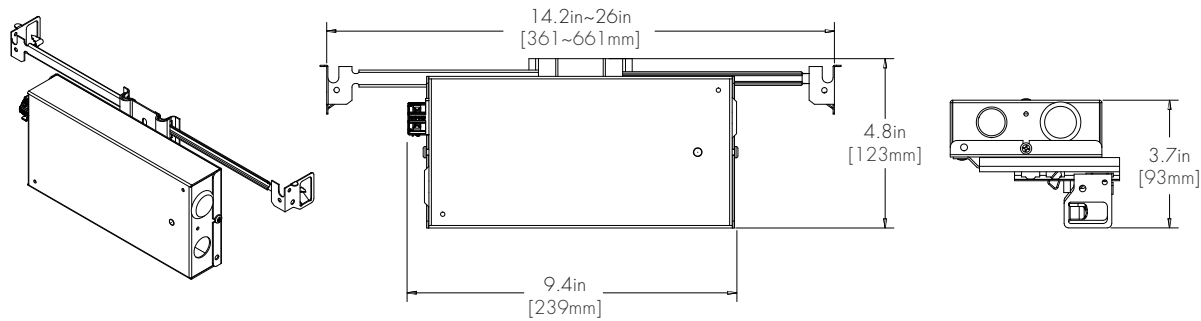
Driver	+	Driver Option
010L	+	NA
010G	+	NA
010S	+	NA
DALI	+	NA
LUTE	+	NA

### HRM Single



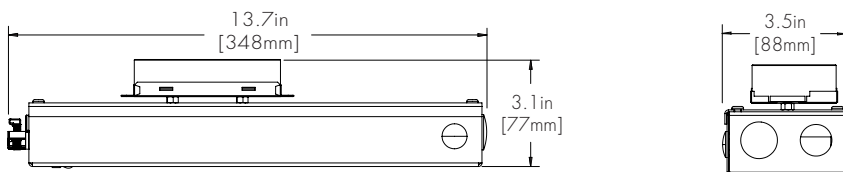
Driver	+	Driver Option
PHSD	+	NA

### HRM Double



Driver	+	Driver Option
DALI8	+	NA
DMX	+	NA

### EMG Emergency Driver (120 minutes EMG operation time)

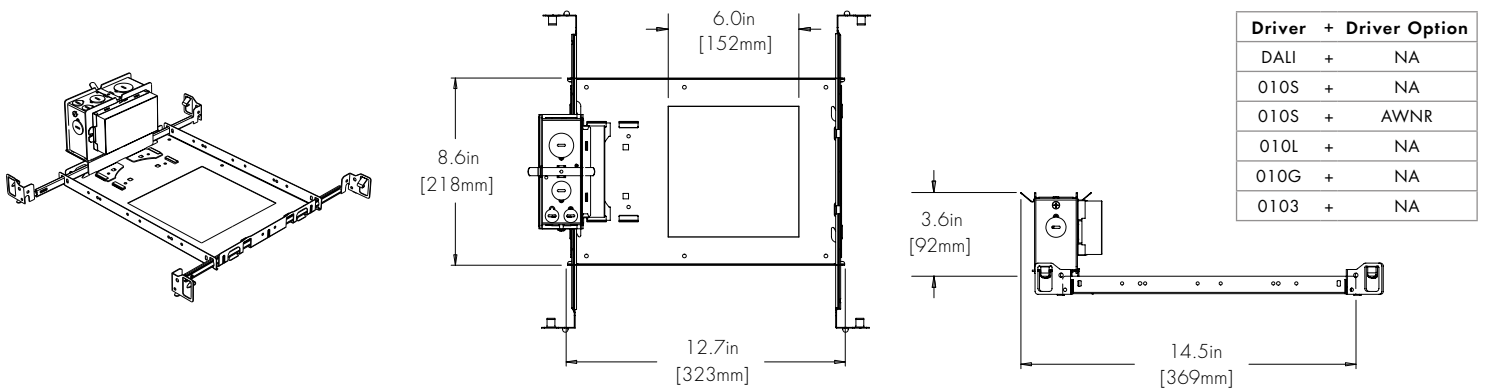
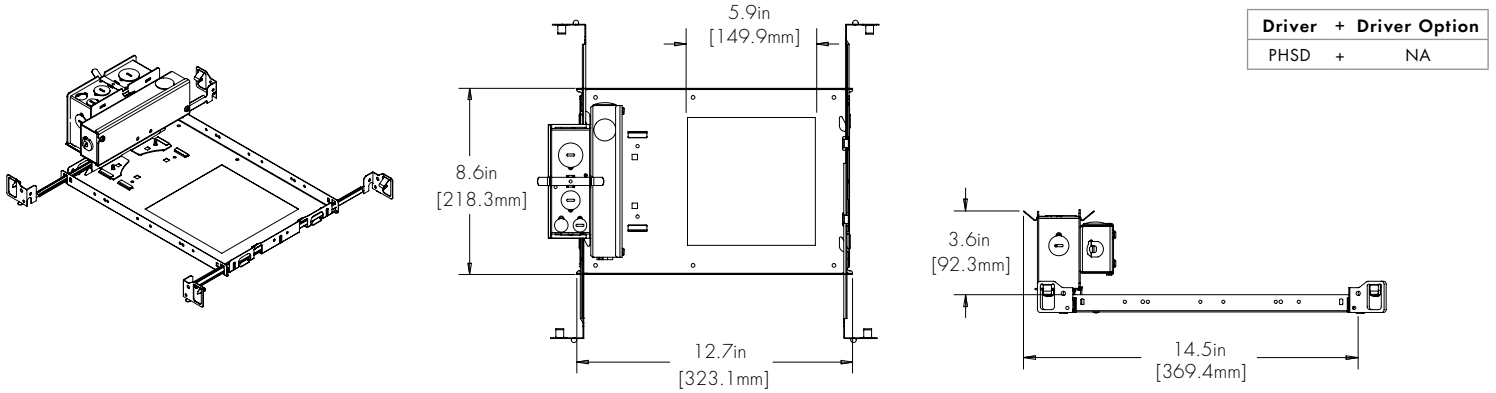


Driver	+	Driver Option
010L	+	EMG
010G	+	EMG
010S	+	EMG
DALI	+	EMG
PHSD	+	EMG

## Remote Driver Housing

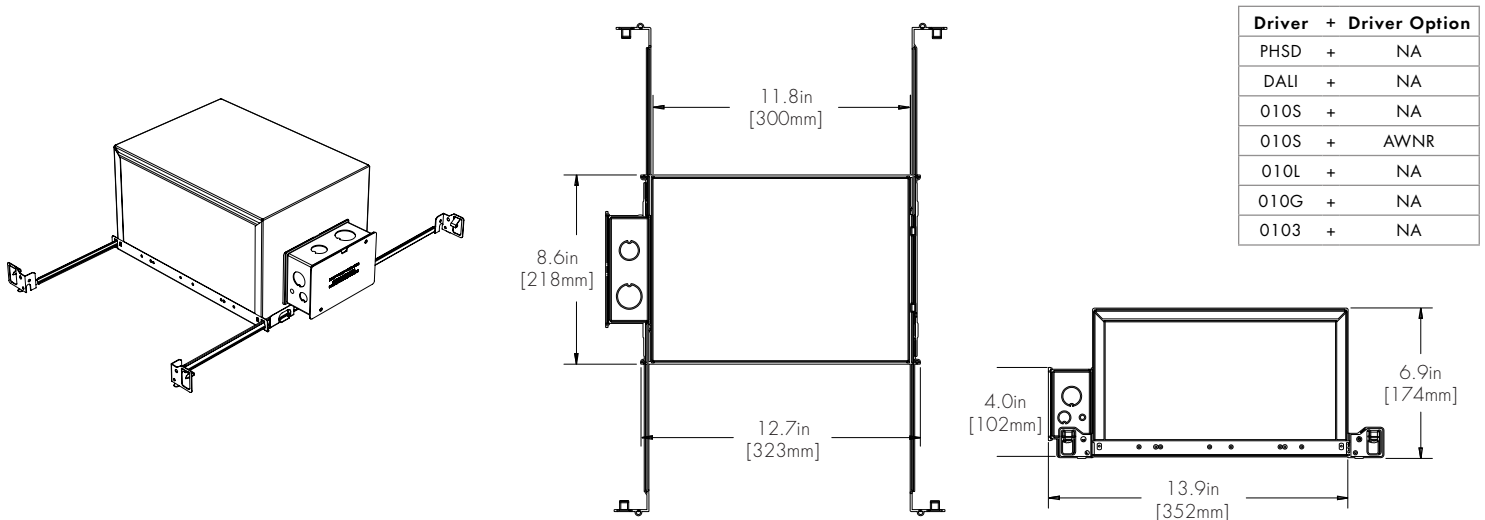
### HP

New Construction Pan (Non-IC)



### HIC

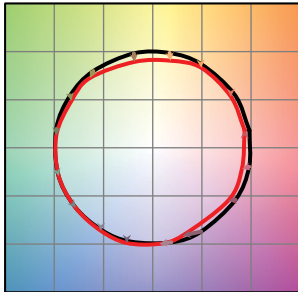
Housing, IC Rated



**TM-30**

**Warm Dim 1800K**

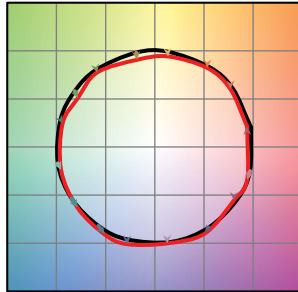
COLOR VECTOR GRAPHIC



— Reference Source — Test Source

**Warm Dim 3000K**

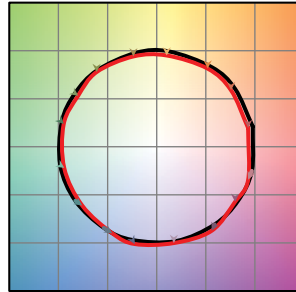
COLOR VECTOR GRAPHIC



— Reference Source — Test Source

**Tunable White 2700K**

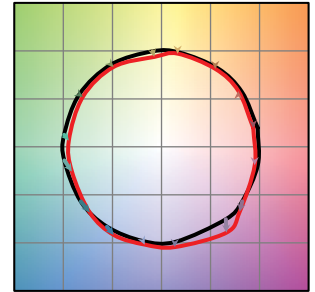
COLOR VECTOR GRAPHIC



— Reference Source — Test Source

**Tunable White 6500K**

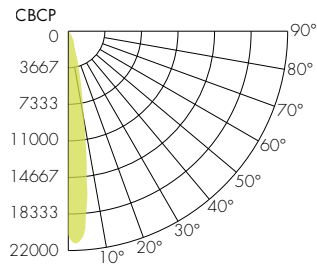
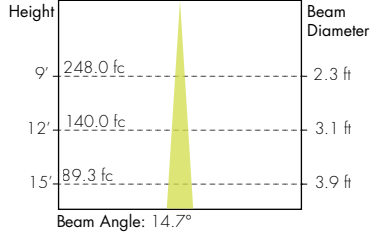
COLOR VECTOR GRAPHIC



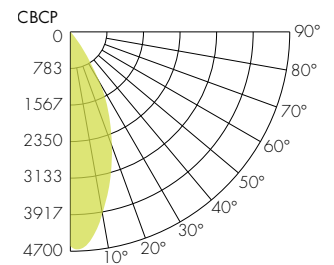
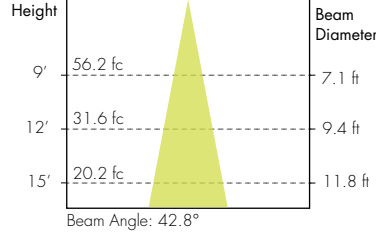
— Reference Source — Test Source

## Photometry

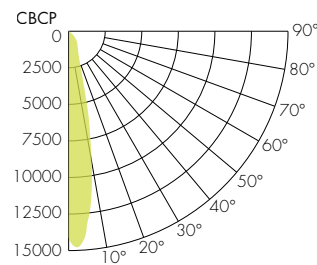
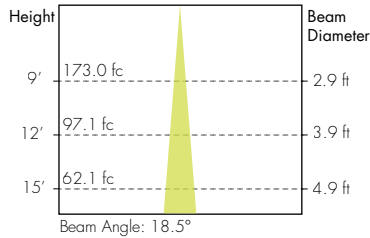
### 10° Faceted Reflector



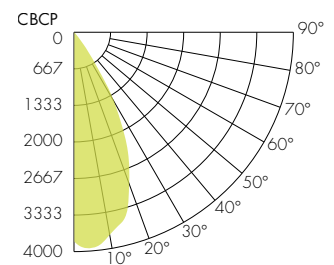
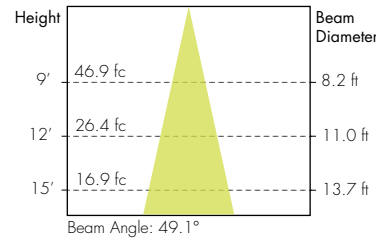
### 30° Smooth Reflector



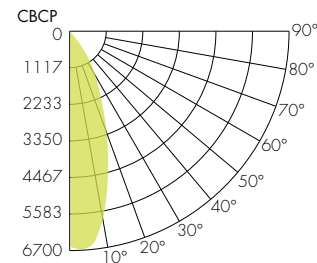
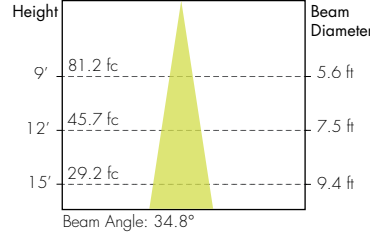
### 18° Faceted Reflector



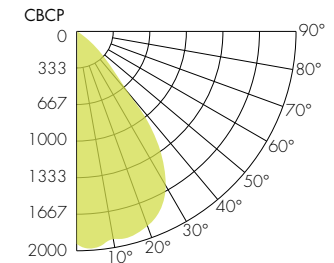
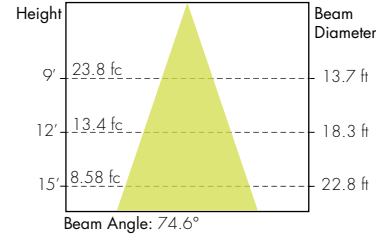
### 45° Smooth Reflector



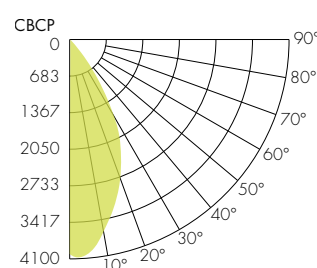
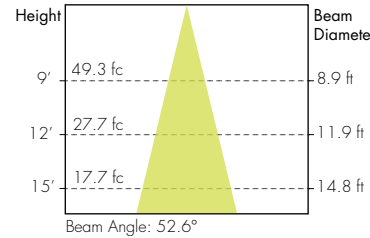
### 30° Faceted Reflector



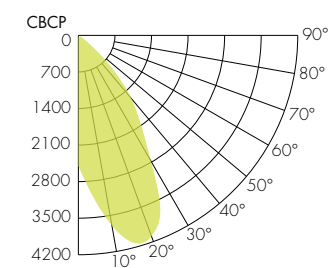
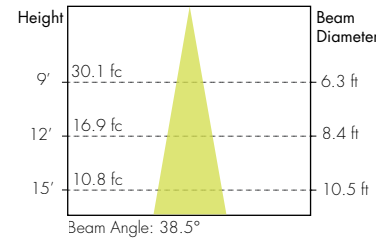
### 80° Smooth Reflector



### 45° Faceted Reflector



### Wall Wash 18° Faceted Reflector



### 60° Faceted Reflector

