

EXCALIBUR



Excalibur - Linear LED Lighting. The Excalibur is a 45 degree surface mount profile that allows you to have specific directional light for your applications.

Ordering Code

| | | | | | | | |
|---------|------------|------------|---|---|---|---|---|
| Fixture | 555 | 315 | | | | | |
| | 1 | 2 | 3 | 4 | 5 | 6 | 7 |

Product Specifications

SAMPLE : Fixture 555 - 315 - 500 - LO - 27 - E36 - 6'

| 1 - Type | 2 - Model | 3 - Lens | 4 - LED Style*1 | |
|--|--|--|---|---|
| 555 · Profile | 315 · Excalibur | 500 · Frosted 502 · Clear | Static White L01W · LLHE48LO-1W 1 Watt LO · LLHE48LO Low Output SO · LLHE48SO Standard Output MO · LLHE48MO Medium Output 271 · 271 Style LED Strip*5 | Dynamic Color*2 DWSO · LLDW68SO Dynamic White Standard Output DWHO · LLDW68HO Dynamic White High Output RGBSO · LLRGB42SO Color changing Standard Output RGBWSO · LL-RGBW36-SO Color changing Standard Output |
| 5 - CCT | 6 - Feed Point | | 7 - Fixture Length*1 | |
| Static White 22 · 2200K 25 · 2500K 27 · 2700K 30 · 3000K 35 · 3500K 40 · 4000K | Dynamic Color*2 1935 · 1900K - 3500K*4 98 · RGB Color changing 99 · RGB+W Color changing | | B36 · 36" Back Fed E36 · 36" End Fed BXX · Custom Back Fed EXX · Custom End Fed | |
| | | | XX · Custom (XX.XX) <i>Continuous runs will be made in equal sections no more than 8' long</i> NOTE: For Channels and Lenses over 90", incremental shipping charges will apply | |

*1 Refer to page 2 for LED out length intervals and available CCT

*2 DMX driver required

*3 Anodized finish

*4 Please ask about different CCT ranges

*5 Only available in 3500K

LED Technical Information

| | STYLE | WATT/FT | DELIVERED LM/FT CLEAR | DELIVERED LM/FT FROSTED | CRI | MAX. LENGTH | Color TEMPERATURE |
|----------------------|----------------------|---------|--------------------------|----------------------------|-----|-------------|---|
| Static White | LLHE48LO-1W | 1.0 | 103 | 65 | 92 | 60' | 2200K, 2500K, 2700K, 3000K, 3500K, 4000K |
| | LLHE48LO | 1.9 | 207 | 131 | 92 | 48' | |
| | LLHE48SO | 2.8 | 296 | 187 | 92 | 42' | |
| | LLHE48MO | 3.5 | 395 | 249 | 92 | 33' | |
| | 271 | 7.3 | 720 | 454 | 90 | 9.8' | 3500K |
| Dynamic Color | LLDW68SO-1935 | 4.1 | 351 | 222 | 95 | 32' | 1900K - 3500K |
| | LLDW68HO-1935 | 5.2 | 382 | 241 | 96 | 32' | |
| | LLRGB42SO | 4.4 | 172 | 109 | --- | 28' | Red/Green/Blue |
| | LLRGBW36SO | 4.1 | 178 | 110 | 97 | 26' | Red/Green/Blue White LED 97 CRI / 3000K |

* Lumen output calculations based on 3500K.
For LED strip information, See the page for:

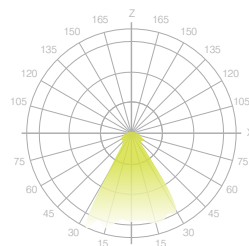
LLHE48 [HERE](#).
LLDW68 [HERE](#).
LLRGB42 [HERE](#).
LLRGBW36 [HERE](#).

Lens/Light Distribution

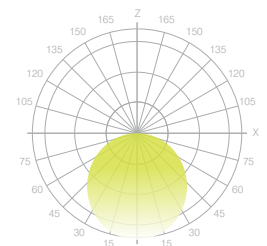
part number **500** (frosted 65% transparent)
502 (clear 95% transparent)

- PMMA construction
- Easily clipped in profile
- Comes precut to match profile length
- Flush

Clear Lens



Frosted Lens



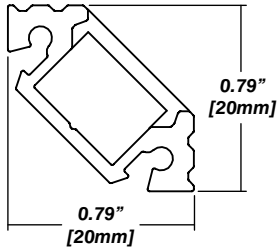
Construction

- Housing: Aluminum extrusion
- Made in Canada

Installation

- Factory assembled for easy and fast installation
- Electrical wire included

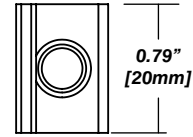
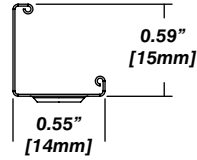
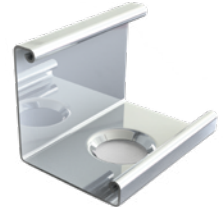
Dimensions



45° Mount Clip

part number **555-315-20**

- Steel construction
- Profile is mounted flush to surface
- Not visible once installed



Joining Sections



Universal Power Supply 1% 120VAC - 277VAC

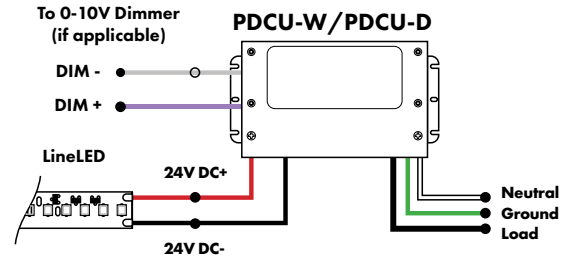
Universal Power Supply 1% 120VAC - 277VAC

| MODEL | POWER | OUTPUT |
|--------------------------|-------------------------------------|-------------|
| PDCU-D - IP20 Dry Series | 30 - 30 W 60 - 60 W 96 - 96 W | 24 - 24 VDC |

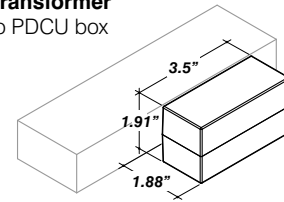
PDCU-W - IP66 Wet Series 96 - 96 W

0-10V dims down to 1%, MLV/ELV/TRIAC dims down to 1%.
Contact Senso to specify 347V transformer.
For a complete details on the Universal Power Supply, see Spec Sheet, Compatible Dimming and Install Guide on the [Resources page](#).

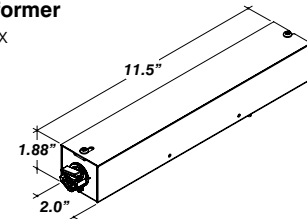
| MODELS | PDCU-W 96W | PDCU-D 30W | PDCU-D 60W | PDCU-D 96W |
|--------|------------|------------|------------|------------|
| Length | 8.66" | 6.10" | 7.93" | 8.25" |
| Width | 3.73" | 3.35" | 3.35" | 4.10" |
| Depth | 1.61" | 1.33" | 1.32" | 1.56" |



30W/60W 347V Transformer
attaches directly to PDCU box



96W 347V Transformer
wired to PDCU box



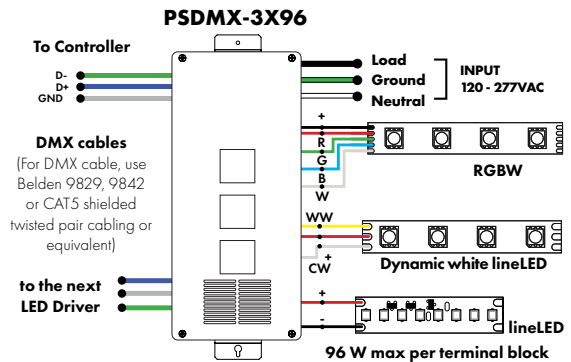
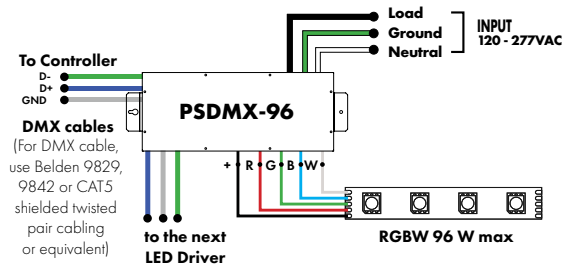
DMX Dimming Power Supply 120VAC - 277VAC

DMX Dimming Power Supplies 120VAC - 277VAC

| MODEL | POWER | OUTPUT |
|---|------------------------------------|-------------|
| PSDMX - DMX Power Supply dims down to 0% | 96 - 96 Watt 3X96 - 3 X 96 Watt | 24 - 24 VDC |

Features eldoLED's LINEARdrive configurable dimmable drivers. For a complete details on the DMX Dimming Power Supply, see Spec Sheet on the [Resources page](#).

| MODELS | 96W | 3X96 |
|--------|--------|--------|
| Length | 14.40" | 15.75" |
| Width | 5.20" | 6.62" |
| Depth | 2.60" | 4.95" |



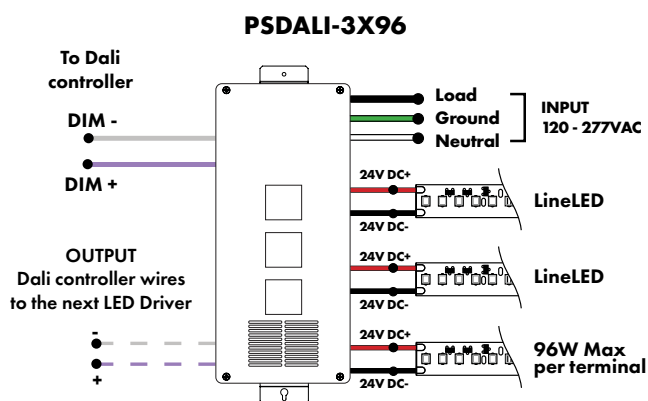
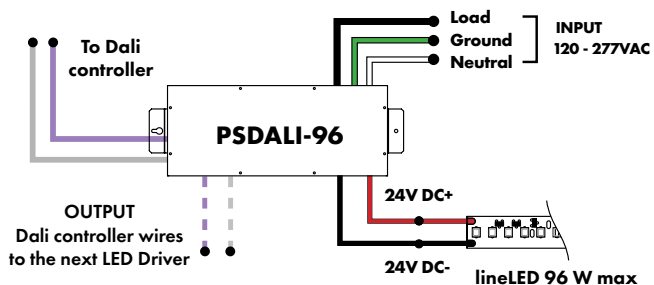
DALI 0% Dimming Power Supplies 120VAC - 277VAC

DALI 0% Dimming Power Supplies 120VAC - 277VAC

| MODEL | POWER | OUTPUT |
|--|------------------------------------|-------------|
| PSDALI - DALI Power Supply dims down to 0% | 96 - 96 Watt 3X96 - 3 X 96 Watt | 24 - 24 VDC |

Features eldoLED's LINEARdrive configurable dimmable drivers

| | | |
|--------|--------|--------|
| Model | 96W | 3X96 |
| Length | 14.40" | 15.75" |
| Width | 5.20" | 6.62" |
| Depth | 2.60" | 4.95" |



LUTRON®

Luminii is a Lutron OEM Advantage Partner
Lutron Power Supplies 1%

MODEL

LTEA4U1UKL - CV240

Lutron - Hi-lume™ 1% 2-wire LED Driver
40W max

(120V forward phase only)

MODEL

L3DA4U1UKL - CV240

Hi-lume™ 1% EcoSystem Voltage LED driver
40W max

| MODELS | LTEA4U1UKL-CV240 | L3DA4U1UKL-CV240 |
|--------|------------------|------------------|
| Length | 4.89" | 4.98" |
| Width | 4.00" | 4.00" |
| Depth | 2.62" | 2.62" |

For a complete details on the Lutron Power Supply, see Spec Sheet and Install Guide on the [Resources page](#).

LUTRON®

Luminii is a Lutron OEM Advantage Partner
Lutron Power Supplies 0.1%

MODEL

L3D0-96W24V-U

Hi-lume™ 0.1% EcoSystem Voltage LED Driver with Soft-On, Fade-to-Black™
96W max

| MODELS | L3D0 |
|--------|--------|
| Length | 10.50" |
| Width | 5.50" |
| Depth | 2.00" |

