

DOMINO 4 SURFACE

12° NARROW BEAM

STATIC WHITE



OVERVIEW

Domino 4 Surface is a Constant Current multi source LED spotlight that is machined from aerospace grade aluminium 6063-T6 and comes as standard in white, black and brushed aluminium. It has five site-changeable beam distributions including elliptical beams. The narrow beam in our 8.96W 720lm module has a peak intensity of 6264cd.

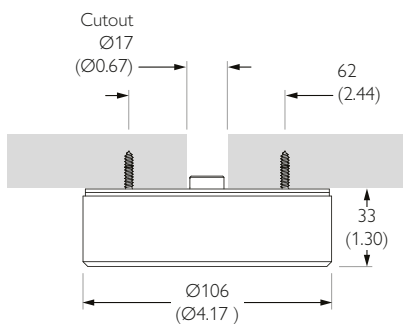
- UK PART L**
- Part L1A / L1B (Dwellings) ●
 - Part L2A (General)
 - Part L2A (Display) ●



PERFORMANCE

| | | | |
|----------------|---------------------------|------------------|---|
| FWHM | 12° | Category | IP20 |
| Luminous Flux | 656 lm | Material | Machined AL 6063-T6 |
| Peak Intensity | 6264 cd | Finishes | Brushed Aluminium Black RAL9005 White RAL9010 |
| CCT | 2700K 3000K | Weight | 183g 0.40lb |
| CRI Min. | 95 TYP | Cutout | ø17mm (0.67") |
| Drive Current | 700 mA | Movement | Pan N/A Tilt N/A |
| Nom. Voltage | 12.8 V | Min Ceiling Void | N/A |
| Max. Wattage | 8.96 W | Accessories | N/A N/A |
| Dimming | 0-10V DALI | TM65 TM66 | 11.15kgCO2e 2.4 |
| Driver Type | Constant Current Remote | Lifetime | L90B10 100,000hrs 5 year warranty |
| Class | SELV Class III | | |

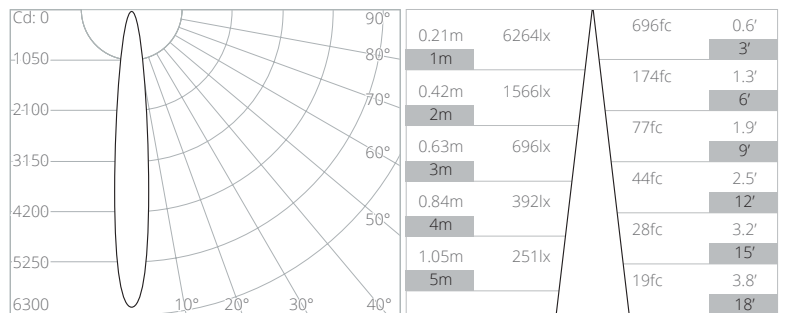
DIMENSIONS



mm (inches)

PHOTOMETRY

| CCT | Multiplier |
|-------|------------|
| 2700K | x1.00 |
| 3000K | x1.00 |



Data at 3000K

ORDER CODE

| Model | Finish | CCT | Beam Angle |
|--------|-----------------------------|-------------------------|----------------------------|
| TZ-654 | - | - | - |
| | WH White RAL 9010 | 2795 2700K 95CRI | 12 Narrow |
| | BK Black RAL 9005 | 3095 3000K 95CRI | 30 Flood |
| | AL Brushed Aluminium | | 60 Wide Flood |
| | | | E1 Ellipse |
| | | | E2 Vertical Ellipse |

Example Code: TZ-654-WH-309512

*Premium & custom finishes are built to order, subject to an extended lead time & MOQ
See Drivers, Power Supplies and Accessories sections for further order codes

DOMINO 4 SURFACE

30° FLOOD BEAM

STATIC WHITE



OVERVIEW

Domino 4 Surface is a Constant Current multi source LED spotlight that is machined from aerospace grade aluminium 6063-T6 and comes as standard in white, black and brushed aluminium. It has five site-changeable beam distributions including elliptical beams. The flood beam in our 8.96W 720lm module has a peak intensity of 1880cd.

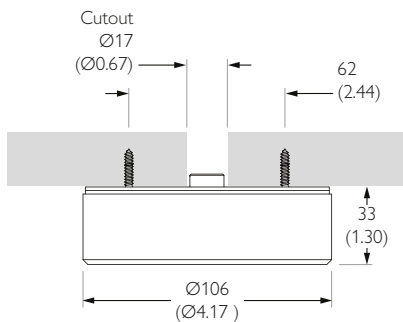
- UK PART L**
- Part L1A / L1B (Dwellings) ●
 - Part L2A (General)
 - Part L2A (Display) ●



PERFORMANCE

| | | | |
|----------------|---------------------------|------------------|---|
| FWHM | 30° | Category | IP20 |
| Luminous Flux | 600 lm | Material | Machined AL 6063-T6 |
| Peak Intensity | 1880 cd | Finishes | Brushed Aluminium Black RAL9005 White RAL9010 |
| CCT | 2700K 3000K | Weight | 183g 0.40lb |
| CRI Min. | 95 TYP | Cutout | ø17mm (0.67") |
| Drive Current | 700 mA | Movement | Pan N/A Tilt N/A |
| Nom. Voltage | 12.8 V | Min Ceiling Void | N/A |
| Max. Wattage | 8.96 W | Accessories | N/A N/A |
| Dimming | 0-10V DALI | TM65 TM66 | 11.15kgCO2e 2.4 |
| Driver Type | Constant Current Remote | Lifetime | L90B10 100,000hrs 5 year warranty |
| Class | SELV Class III | | |

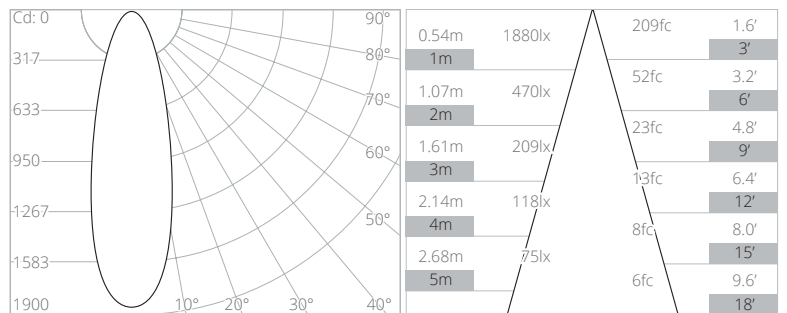
DIMENSIONS



mm (inches)

PHOTOMETRY

| CCT | Multiplier |
|-------|------------|
| 2700K | x1.00 |
| 3000K | x1.00 |



Data at 3000K

ORDER CODE

| Model | Finish | CCT | Beam Angle |
|--------|-----------------------------|-------------------------|----------------------------|
| TZ-654 | - | - | - |
| | WH White RAL 9010 | 2795 2700K 95CRI | 12 Narrow |
| | BK Black RAL 9005 | 3095 3000K 95CRI | 30 Flood |
| | AL Brushed Aluminium | | 60 Wide Flood |
| | | | E1 Ellipse |
| | | | E2 Vertical Ellipse |

Example Code: TZ-654-WH-309530

*Premium & custom finishes are built to order, subject to an extended lead time & MOQ
See Drivers, Power Supplies and Accessories sections for further order codes

DOMINO 4 SURFACE

60° WIDE FLOOD BEAM

STATIC WHITE



OVERVIEW

Domino 4 Surface is a Constant Current multi source LED spotlight that is machined from aerospace grade aluminium 6063-T6 and comes as standard in white, black and brushed aluminium. It has five site-changeable beam distributions including elliptical beams. The wide flood beam in our 8.96W 720lm module has a peak intensity of 652cd.

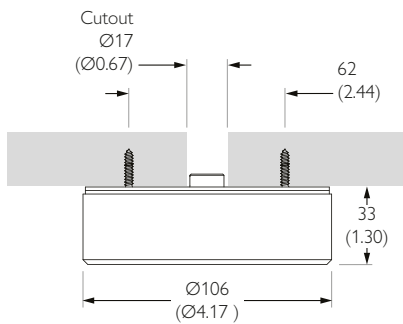
- UK PART L**
- Part L1A / L1B (Dwellings) ●
 - Part L2A (General)
 - Part L2A (Display) ●



PERFORMANCE

| | | | |
|----------------|---------------------------|------------------|---|
| FWHM | 60° | Category | IP20 |
| Luminous Flux | 652 lm | Material | Machined AL 6063-T6 |
| Peak Intensity | 652 cd | Finishes | Brushed Aluminium Black RAL9005 White RAL9010 |
| CCT | 2700K 3000K | Weight | 183g 0.40lb |
| CRI Min. | 95 TYP | Cutout | ø17mm (0.67") |
| Drive Current | 700 mA | Movement | Pan N/A Tilt N/A |
| Nom. Voltage | 12.8 V | Min Ceiling Void | N/A |
| Max. Wattage | 8.96 W | Accessories | N/A N/A |
| Dimming | 0-10V DALI | TM65 TM66 | 11.15kgCO2e 2.4 |
| Driver Type | Constant Current Remote | Lifetime | L90B10 100,000hrs 5 year warranty |
| Class | SELV Class III | | |

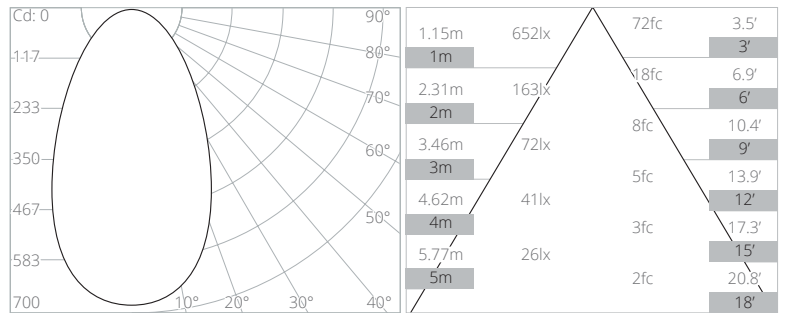
DIMENSIONS



mm (inches)

PHOTOMETRY

| CCT | Multiplier |
|-------|------------|
| 2700K | x1.00 |
| 3000K | x1.00 |



Data at 3000K

ORDER CODE

| Model | Finish | CCT | Beam Angle |
|--------|----------------------|------------------|---------------------|
| TZ-654 | - | - | - |
| | WH White RAL 9010 | 2795 2700K 95CRI | 12 Narrow |
| | BK Black RAL 9005 | 3095 3000K 95CRI | 30 Flood |
| | AL Brushed Aluminium | | 60 Wide Flood |
| | | | E1 Ellipse |
| | | | E2 Vertical Ellipse |

Example Code: TZ-654-WH-309560

*Premium & custom finishes are built to order, subject to an extended lead time & MOQ
See Drivers, Power Supplies and Accessories sections for further order codes

DOMINO 4 SURFACE

12X35° ELLIPSE BEAM

STATIC WHITE



OVERVIEW

Domino 4 Surface is a Constant Current multi source LED spotlight that is machined from aerospace grade aluminium 6063-T6 and comes as standard in white, black and brushed aluminium. It has five site-changeable beam distributions including elliptical beams. The ellipse beam in our 8.96W 720lm module has a peak intensity of 3888cd.

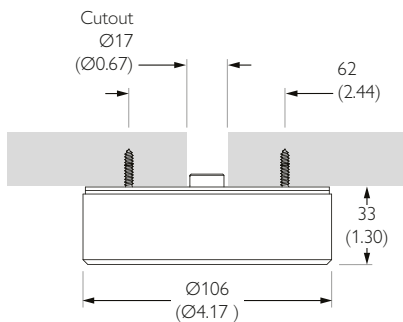
- UK PART L**
- Part L1A / L1B (Dwellings) ●
 - Part L2A (General)
 - Part L2A (Display) ●



PERFORMANCE

| | | | |
|----------------|---------------------------|------------------|---|
| FWHM | 12x35° | Category | IP20 |
| Luminous Flux | 656 lm | Material | Machined AL 6063-T6 |
| Peak Intensity | 3888 cd | Finishes | Brushed Aluminium Black RAL9005 White RAL9010 |
| CCT | 2700K 3000K | Weight | 183g 0.40lb |
| CRI Min. | 95 TYP | Cutout | ø17mm (0.67") |
| Drive Current | 700 mA | Movement | Pan N/A Tilt N/A |
| Nom. Voltage | 12.8 V | Min Ceiling Void | N/A |
| Max. Wattage | 8.96 W | Accessories | N/A N/A |
| Dimming | 0-10V DALI | TM65 TM66 | 11.15kgCO2e 2.4 |
| Driver Type | Constant Current Remote | Lifetime | L90B10 100,000hrs 5 year warranty |
| Class | SELV Class III | | |

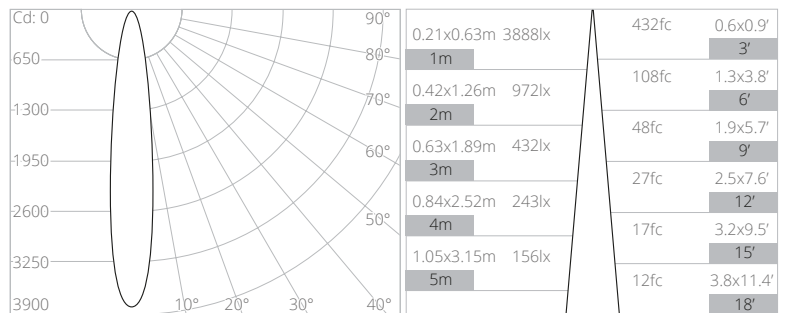
DIMENSIONS



mm (inches)

PHOTOMETRY

| CCT | Multiplier |
|-------|------------|
| 2700K | x1.00 |
| 3000K | x1.00 |



Data at 3000K

ORDER CODE

| Model | Finish | CCT | Beam Angle |
|--------|-----------------------------|-------------------------|----------------------------|
| TZ-654 | - | - | - |
| | WH White RAL 9010 | 2795 2700K 95CRI | 12 Narrow |
| | BK Black RAL 9005 | 3095 3000K 95CRI | 30 Flood |
| | AL Brushed Aluminium | | 60 Wide Flood |
| | | | E1 Ellipse |
| | | | E2 Vertical Ellipse |

Example Code: TZ-654-WH-3095E1

*Premium & custom finishes are built to order, subject to an extended lead time & MOQ
See Drivers, Power Supplies and Accessories sections for further order codes

DOMINO 4 SURFACE

35X12° VERTICAL ELLIPSE BEAM

STATIC WHITE



OVERVIEW

Domino 4 Surface is a Constant Current multi source LED spotlight that is machined from aerospace grade aluminium 6063-T6 and comes as standard in white, black and brushed aluminium. It has five site-changeable beam distributions including elliptical beams. The vertical ellipse beam in our 8.96W 720lm module has a peak intensity of 3888cd.

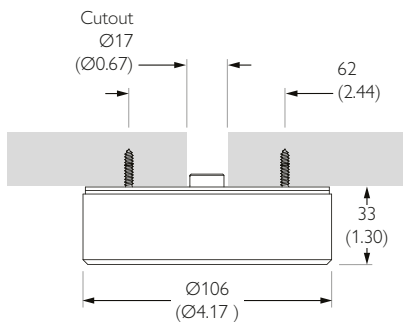
- UK PART L**
- Part L1A / L1B (Dwellings) ●
 - Part L2A (General)
 - Part L2A (Display) ●



PERFORMANCE

| | | | |
|----------------|---------------------------|------------------|---|
| FWHM | 35x12° | Category | IP20 |
| Luminous Flux | 656 lm | Material | Machined AL 6063-T6 |
| Peak Intensity | 3888 cd | Finishes | Brushed Aluminium Black RAL9005 White RAL9010 |
| CCT | 2700K 3000K | Weight | 183g 0.40lb |
| CRI Min. | 95 TYP | Cutout | ø17mm (0.67") |
| Drive Current | 700 mA | Movement | Pan N/A Tilt N/A |
| Nom. Voltage | 12.8 V | Min Ceiling Void | N/A |
| Max. Wattage | 8.96 W | Accessories | N/A N/A |
| Dimming | 0-10V DALI | TM65 TM66 | 11.15kgCO2e 2.4 |
| Driver Type | Constant Current Remote | Lifetime | L90B10 100,000hrs 5 year warranty |
| Class | SELV Class III | | |

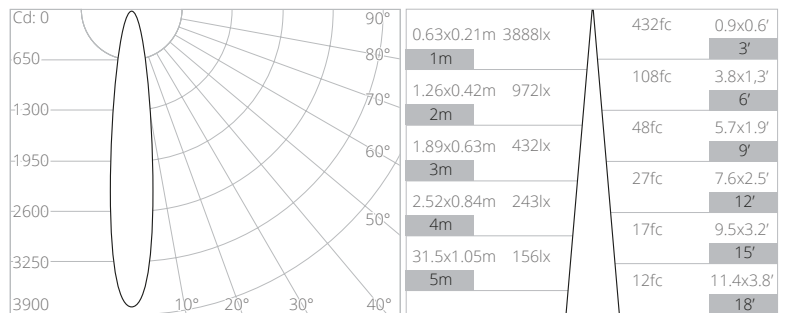
DIMENSIONS



mm (inches)

PHOTOMETRY

| CCT | Multiplier |
|-------|------------|
| 2700K | x1.00 |
| 3000K | x1.00 |



Data at 3000K

ORDER CODE

| Model | Finish | CCT | Beam Angle |
|--------|-----------------------------|-------------------------|----------------------------|
| TZ-654 | - | - | - |
| | WH White RAL 9010 | 2795 2700K 95CRI | 12 Narrow |
| | BK Black RAL 9005 | 3095 3000K 95CRI | 30 Flood |
| | AL Brushed Aluminium | | 60 Wide Flood |
| | | | E1 Ellipse |
| | | | E2 Vertical Ellipse |

Example Code: TZ-654-WH-3095E2

*Premium & custom finishes are built to order, subject to an extended lead time & MOQ
See Drivers, Power Supplies and Accessories sections for further order codes

DRIVERS

20W | DIMMING: DALI OR 0-10V

NO. OF LIGHTS PER DRIVER 1 to 2 in series

MIN DIM LEVEL 0.1%

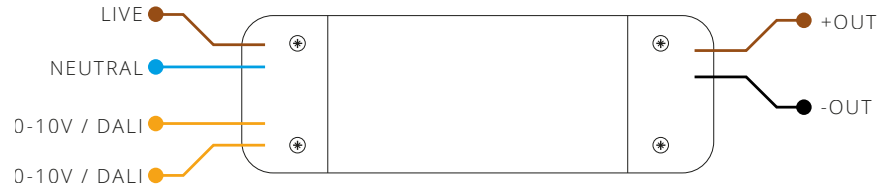
VOLTAGE REGION 230V

FOR NORTH AMERICA No

WATTAGE 20W

SUPPLY TYPE Constant Current

DRIVER LOCATION Remote



DALI CODE PSCC-20-700-D-EL

0-10V CODE PSCC-20-700-A-EL

LENGTH 160mm (6.30") WIDTH 41mm (1.63") HEIGHT 30mm (1.18")



30W | DIMMING: DALI OR 0-10V

NO. OF LIGHTS PER DRIVER 1 to 3 in series

MIN DIM LEVEL 0.1%

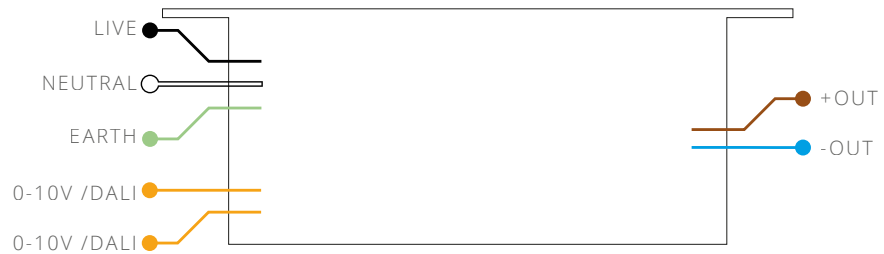
VOLTAGE REGION 120V

FOR NORTH AMERICA Yes

WATTAGE 30W

SUPPLY TYPE Constant Current

DRIVER LOCATION Remote



DALI CODE USCC-30-700-D-EL-ENC

0-10V CODE USCC-30-700-A-EL-ENC

LENGTH 348mm (13.7") WIDTH 65mm (2.6") HEIGHT 47mm (1.9")



12W | DIMMING: PHASE

NO. OF LIGHTS PER DRIVER 1

MIN DIM LEVEL 1%

VOLTAGE REGION 120V

FOR NORTH AMERICA Yes

WATTAGE 12W

SUPPLY TYPE Constant Current

DRIVER LOCATION Remote



PHASE CODE USCC-12-700-P-HT-ENC

LENGTH 247mm (9.7") WIDTH 65mm (2.6") HEIGHT 47mm (1.9")

