

DOMINO 2 SURFACE

12° NARROW BEAM

STATIC WHITE



OVERVIEW

Domino 2 Surface is a Constant Current multi source LED spotlight that is machined from aerospace grade aluminium 6063-T6 and comes as standard in white, black and brushed aluminium. It has five site-changeable beam distributions including elliptical beams. The narrow beam in our 4.48W 360lm module has a peak intensity of 3132cd.

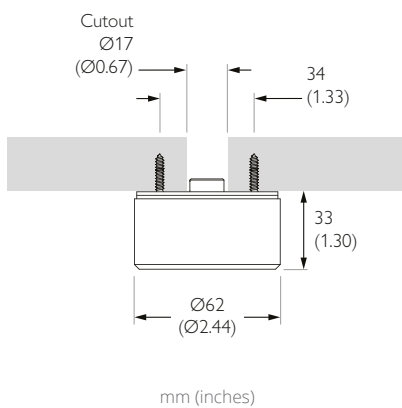
UK PART L	Part L1A / L1B (Dwellings)	EXEMPT
	Part L2A (General)	EXEMPT
	Part L2A (Display)	EXEMPT



PERFORMANCE

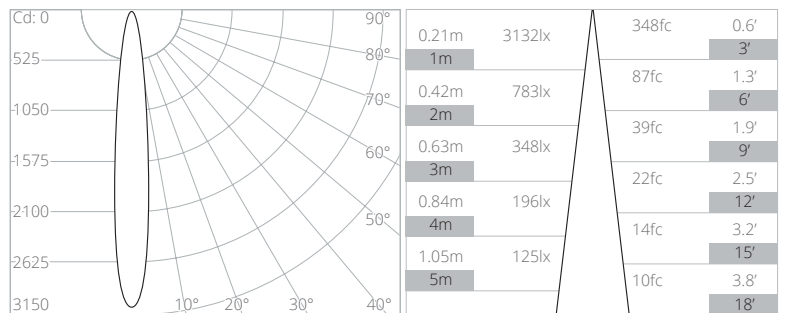
FWHM	12°	Category	IP20
Luminous Flux	328 lm	Material	Machined AL 6063-T6
Peak Intensity	3132 cd	Finishes	Brushed Aluminium Black RAL9005 White RAL9010
CCT	2700K 3000K	Weight	101g 0.22lb
CRI Min.	95 TYP	Cutout	ø17mm (0.67")
Drive Current	700 mA	Movement	Pan N/A Tilt N/A
Nom. Voltage	6.4 V	Min Ceiling Void	N/A
Max. Wattage	4.48 W	Accessories	N/A N/A
Dimming	0-10V DALI	TM65 TM66	8.74kgCO2e 2.4
Driver Type	Constant Current Remote	Lifetime	L90B10 100,000hrs 5 year warranty
Class	SELV Class III		

DIMENSIONS



PHOTOMETRY

CCT	Multiplier
2700K	x1.00
3000K	x1.00



Data at 3000K

ORDER CODE

Model	Finish	CCT	Beam Angle
TZ-652	-	-	-
	WH White RAL 9010	2795 2700K 95CRI	12 Narrow
	BK Black RAL 9005	3095 3000K 95CRI	30 Flood
	AL Brushed Aluminium		60 Wide Flood
			E1 Ellipse
			E2 Vertical Ellipse

Example Code: TZ-652-WH-309512

*Premium & custom finishes are built to order, subject to an extended lead time & MOQ
See Drivers, Power Supplies and Accessories sections for further order codes

DOMINO 2 SURFACE

30° FLOOD BEAM

STATIC WHITE



OVERVIEW

Domino 2 Surface is a Constant Current multi source LED spotlight that is machined from aerospace grade aluminium 6063-T6 and comes as standard in white, black and brushed aluminium. It has five site-changeable beam distributions including elliptical beams. The flood beam in our 4.48W 360lm module has a peak intensity of 940cd.

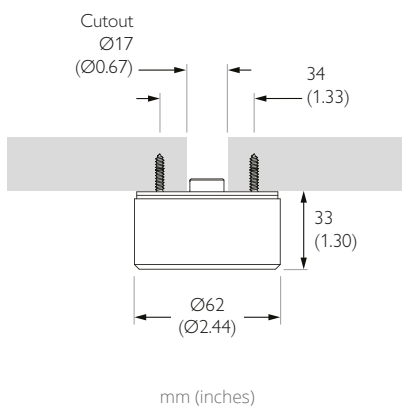
UK PART L	Part L1A / L1B (Dwellings)	EXEMPT
	Part L2A (General)	EXEMPT
	Part L2A (Display)	EXEMPT



PERFORMANCE

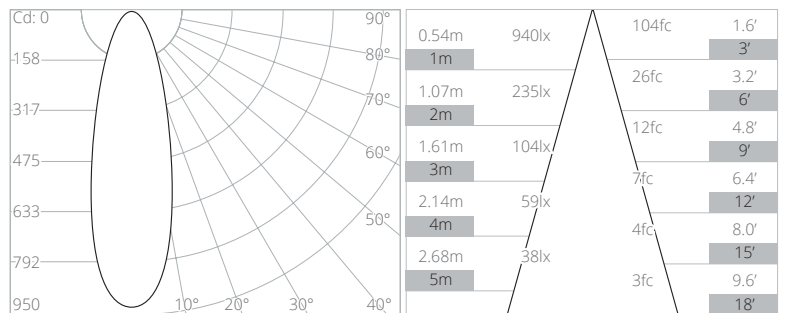
FWHM	30°	Category	IP20
Luminous Flux	300 lm	Material	Machined AL 6063-T6
Peak Intensity	940 cd	Finishes	Brushed Aluminium Black RAL9005 White RAL9010
CCT	2700K 3000K	Weight	101g 0.22lb
CRI Min.	95 TYP	Cutout	ø17mm (0.67")
Drive Current	700 mA	Movement	Pan N/A Tilt N/A
Nom. Voltage	6.4 V	Min Ceiling Void	N/A
Max. Wattage	4.48 W	Accessories	N/A N/A
Dimming	0-10V DALI	TM65 TM66	8.74kgCO2e 2.4
Driver Type	Constant Current Remote	Lifetime	L90B10 100,000hrs 5 year warranty
Class	SELV Class III		

DIMENSIONS



PHOTOMETRY

CCT	Multiplier
2700K	x1.00
3000K	x1.00



Data at 3000K

ORDER CODE

Model	Finish	CCT	Beam Angle
TZ-652	-	-	-
	WH White RAL 9010	2795 2700K 95CRI	12 Narrow
	BK Black RAL 9005	3095 3000K 95CRI	30 Flood
	AL Brushed Aluminium		60 Wide Flood
			E1 Ellipse
			E2 Vertical Ellipse

Example Code: TZ-652-WH-309530

*Premium & custom finishes are built to order, subject to an extended lead time & MOQ
See Drivers, Power Supplies and Accessories sections for further order codes

DOMINO 2 SURFACE

60° WIDE FLOOD BEAM

STATIC WHITE



OVERVIEW

Domino 2 Surface is a Constant Current multi source LED spotlight that is machined from aerospace grade aluminium 6063-T6 and comes as standard in white, black and brushed aluminium. It has five site-changeable beam distributions including elliptical beams. The wide flood beam in our 4.48W 360lm module has a peak intensity of 326cd.

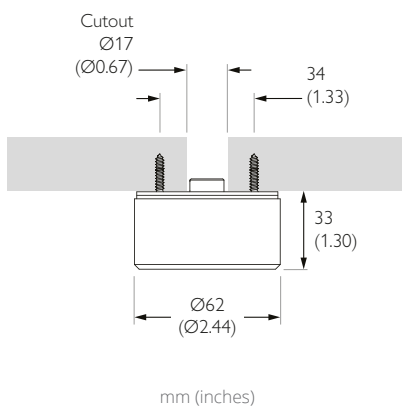
UK PART L	Part L1A / L1B (Dwellings)	EXEMPT
	Part L2A (General)	EXEMPT
	Part L2A (Display)	EXEMPT



PERFORMANCE

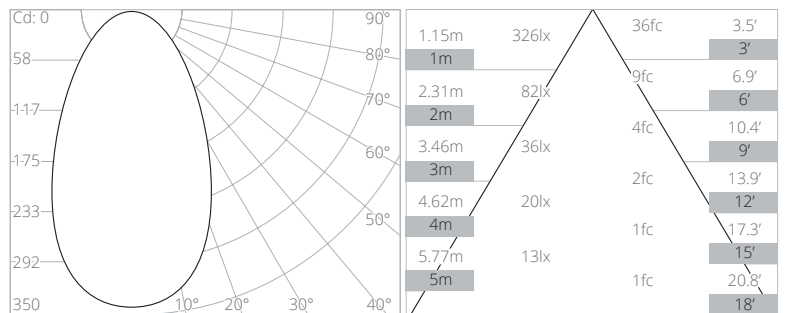
FWHM	60°	Category	IP20
Luminous Flux	326 lm	Material	Machined AL 6063-T6
Peak Intensity	326 cd	Finishes	Brushed Aluminium Black RAL9005 White RAL9010
CCT	2700K 3000K	Weight	101g 0.22lb
CRI Min.	95 TYP	Cutout	ø17mm (0.67")
Drive Current	700 mA	Movement	Pan N/A Tilt N/A
Nom. Voltage	6.4 V	Min Ceiling Void	N/A
Max. Wattage	4.48 W	Accessories	N/A N/A
Dimming	0-10V DALI	TM65 TM66	8.74kgCO2e 2.4
Driver Type	Constant Current Remote	Lifetime	L90B10 100,000hrs 5 year warranty
Class	SELV Class III		

DIMENSIONS



PHOTOMETRY

CCT	Multiplier
2700K	x1.00
3000K	x1.00



Data at 3000K

ORDER CODE

Model	Finish	CCT	Beam Angle
TZ-652	-	-	-
	WH White RAL 9010	2795 2700K 95CRI	12 Narrow
	BK Black RAL 9005	3095 3000K 95CRI	30 Flood
	AL Brushed Aluminium		60 Wide Flood
			E1 Ellipse
			E2 Vertical Ellipse

Example Code: TZ-652-WH-309560

*Premium & custom finishes are built to order, subject to an extended lead time & MOQ
See Drivers, Power Supplies and Accessories sections for further order codes

DOMINO 2 SURFACE

12X35° ELLIPSE BEAM

STATIC WHITE



OVERVIEW

Domino 2 Surface is a Constant Current multi source LED spotlight that is machined from aerospace grade aluminium 6063-T6 and comes as standard in white, black and brushed aluminium. It has five site-changeable beam distributions including elliptical beams. The ellipse beam in our 4.48W 360lm module has a peak intensity of 1944cd.

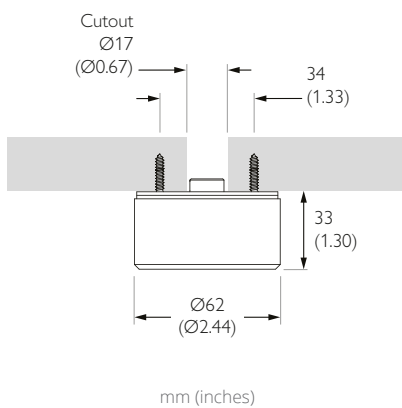
UK PART L	Part L1A / L1B (Dwellings)	EXEMPT
	Part L2A (General)	EXEMPT
	Part L2A (Display)	EXEMPT



PERFORMANCE

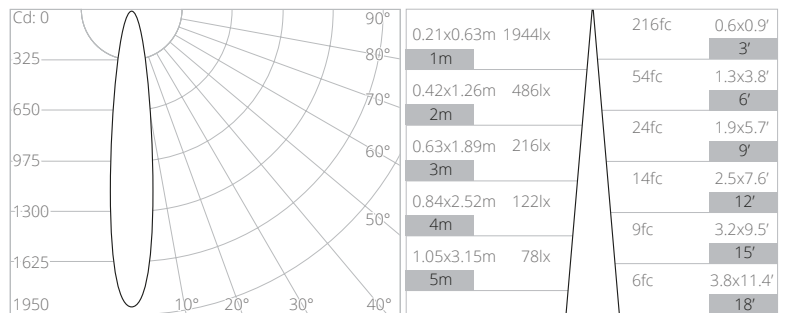
FWHM	12x35°	Category	IP20
Luminous Flux	328 lm	Material	Machined AL 6063-T6
Peak Intensity	1944 cd	Finishes	Brushed Aluminium Black RAL9005 White RAL9010
CCT	2700K 3000K	Weight	101g 0.22lb
CRI Min.	95 TYP	Cutout	ø17mm (0.67")
Drive Current	700 mA	Movement	Pan N/A Tilt N/A
Nom. Voltage	6.4 V	Min Ceiling Void	N/A
Max. Wattage	4.48 W	Accessories	N/A N/A
Dimming	0-10V DALI	TM65 TM66	8.74kgCO2e 2.4
Driver Type	Constant Current Remote	Lifetime	L90B10 100,000hrs 5 year warranty
Class	SELV Class III		

DIMENSIONS



PHOTOMETRY

CCT	Multiplier
2700K	x1.00
3000K	x1.00



ORDER CODE

Model	Finish	CCT	Beam Angle
TZ-652	-	-	-
	WH White RAL 9010	2795 2700K 95CRI	12 Narrow
	BK Black RAL 9005	3095 3000K 95CRI	30 Flood
	AL Brushed Aluminium		60 Wide Flood
			E1 Ellipse
			E2 Vertical Ellipse

Example Code: TZ-652-WH-3095E1

*Premium & custom finishes are built to order, subject to an extended lead time & MOQ
See Drivers, Power Supplies and Accessories sections for further order codes

DOMINO 2 SURFACE

35X12° VERTICAL ELLIPSE BEAM

STATIC WHITE



OVERVIEW

Domino 2 Surface is a Constant Current multi source LED spotlight that is machined from aerospace grade aluminium 6063-T6 and comes as standard in white, black and brushed aluminium. It has five site-changeable beam distributions including elliptical beams. The vertical ellipse beam in our 4.48W 360lm module has a peak intensity of 1944cd.

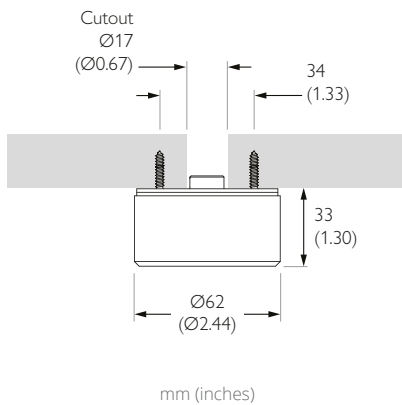
UK PART L	Part L1A / L1B (Dwellings)	EXEMPT
	Part L2A (General)	EXEMPT
	Part L2A (Display)	EXEMPT



PERFORMANCE

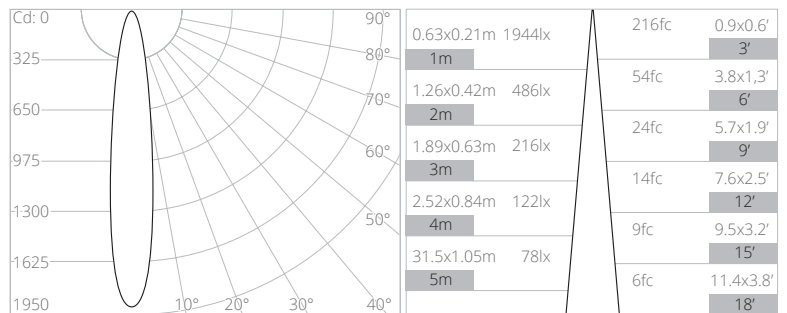
FWHM	35x12°	Category	IP20
Luminous Flux	328 lm	Material	Machined AL 6063-T6
Peak Intensity	1944 cd	Finishes	Brushed Aluminium Black RAL9005 White RAL9010
CCT	2700K 3000K	Weight	101g 0.22lb
CRI Min.	95 TYP	Cutout	ø17mm (0.67")
Drive Current	700 mA	Movement	Pan N/A Tilt N/A
Nom. Voltage	6.4 V	Min Ceiling Void	N/A
Max. Wattage	4.48 W	Accessories	N/A N/A
Dimming	0-10V DALI	TM65 TM66	8.74kgCO2e 2.4
Driver Type	Constant Current Remote	Lifetime	L90B10 100,000hrs 5 year warranty
Class	SELV Class III		

DIMENSIONS



PHOTOMETRY

CCT	Multiplier
2700K	x1.00
3000K	x1.00



Data at 3000K

ORDER CODE

Model	Finish	CCT	Beam Angle
TZ-652	-	-	-
	WH White RAL 9010	2795 2700K 95CRI	12 Narrow
	BK Black RAL 9005	3095 3000K 95CRI	30 Flood
	AL Brushed Aluminium		60 Wide Flood
			E1 Ellipse
			E2 Vertical Ellipse

Example Code: TZ-652-WH-3095E2

*Premium & custom finishes are built to order, subject to an extended lead time & MOQ
See Drivers, Power Supplies and Accessories sections for further order codes

DRIVERS

20W | DIMMING: DALI OR 0-10V

NO. OF LIGHTS PER DRIVER 1 to 4 in series

MIN DIM LEVEL 0.1%

VOLTAGE REGION 230V

FOR NORTH AMERICA No

WATTAGE 20W

SUPPLY TYPE Constant Current

DRIVER LOCATION Remote



DALI CODE PSCC-20-700-D-EL

0-10V CODE PSCC-20-700-A-EL

LENGTH 160mm (6.30") WIDTH 41mm (1.63") HEIGHT 30mm (1.18")



30W | DIMMING: DALI OR 0-10V

NO. OF LIGHTS PER DRIVER 1 to 6 in series

MIN DIM LEVEL 0.1%

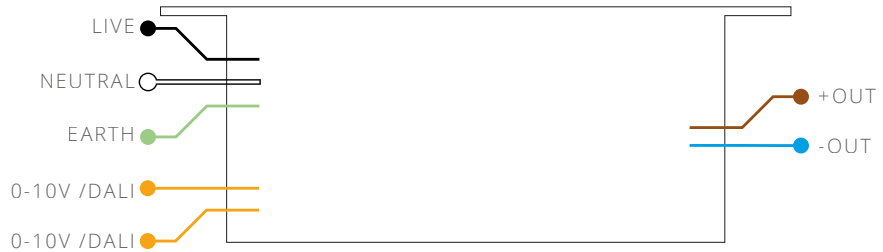
VOLTAGE REGION 120V

FOR NORTH AMERICA Yes

WATTAGE 30W

SUPPLY TYPE Constant Current

DRIVER LOCATION Remote



DALI CODE USCC-30-700-D-EL-ENC

0-10V CODE USCC-30-700-A-EL-ENC

LENGTH 348mm (13.7") WIDTH 65mm (2.6") HEIGHT 47mm (1.9")



12W | DIMMING: PHASE

NO. OF LIGHTS PER DRIVER 1 to 2 in series

MIN DIM LEVEL 1%

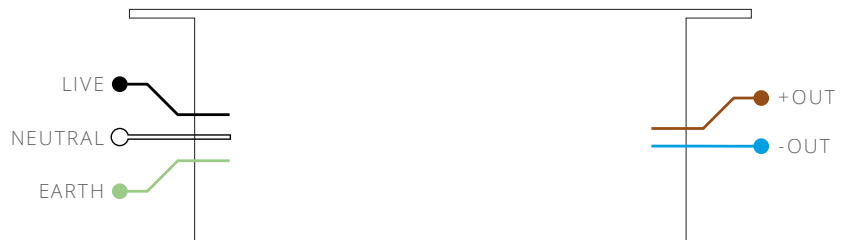
VOLTAGE REGION 120V

FOR NORTH AMERICA Yes

WATTAGE 12W

SUPPLY TYPE Constant Current

DRIVER LOCATION Remote



PHASE CODE USCC-12-700-P-HT-ENC

LENGTH 247mm (9.7") WIDTH 65mm (2.6") HEIGHT 47mm (1.9")

