

DRX2 - TUNABLE WHITE

FOR TRACK & MONOPOINT

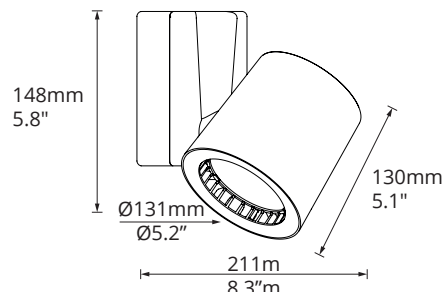


DRX2 is a lightweight and powerful motorized remote controlled spotlight. Its minimalist compact design and tiny footprint offer a solution for restricted spaces without compromising on output and quality. The DRX2 is available with three tunable CCT light engines, delivering up to 2,765 lumens from a wide selection of fixed beam options as well as zoom powered by Lensvector.

DRX2 is also available with Static White and RGBW - visit their specsheets to learn more.

KEY FEATURES

- ±165° Pan, ±110° Tilt Motorised Movement
- Wired or Wireless control
- Position and light level scene recall
- Compact minimalist design
- Tunable White
- 230V 3-Circuit Track or Monopoint
- 120V 2-Circuit Track or Monopoint



PERFORMANCE DATA

OUTPUT OPTIONS	2000LM				2800LM		
	15°	24°	30°	20°-50° Zoom ¹	17°	26°	30°
BEAM OPTIONS							
DELIVERED OUTPUT	1,761 lm	1,939 lm	1,997 lm	1,792 lm ¹	2,765 lm	2,664 lm	2,514 lm
PEAK INTENSITY	17,521 cd	11,657 cd	5,785 cd	10,426 cd ¹	24,416 cd	10,646 cd	7,083 cd
LED ARRANGEMENT	Single source				Single source		
LED WATTAGE	26 W				34 W		
EFFICACY	77 lm/W				81 lm/W		
DYNAMIC WATTAGE	36.0 W ²				45.6 W ²		
CCT OPTIONS	1800K-4000K (3000K) ³ 2700K-6500K (5500K) ³				2700K-6500K (5500K) ³		

Notes

¹ Value at narrowest zoom setting

² Dynamic Wattage is the total power draw momentarily possible when both motors are running simultaneously.

³ Tunable white when paired with Lensvector beam control has a narrower CCT tuning range of 1800-3000K or 2700-5500K

MECHANICAL & MOUNTING

LOCATION	IP20	LIFETIME	L90 50,000 hrs min
ADJUSTABILITY	±165° Pan, ±110° Tilt	WARRANTY	5 Years
WEIGHT	Track 1.90kg / 4.19lb Monopoint 2.10kg / 4.63lb	TM65	96.98kgCO ₂ e
MATERIAL	Machined AL 6063-T6	TM66	2.4
DRIVER	Integral	ACCESSORIES	Separate holder - Louver Lenses
MOUNTING	Track Monopoint		

ORDER CODE

MODEL	MOUNTING	CCT	OUTPUT	BEAM ANGLE	VOLTAGE	CONTROL	FINISH
DRX2 DRX2	TM Track	TW1 1800-4000K ⁴	20 2000LM	NA Narrow 15°	230 230V 50/60Hz 120 120V 50/60Hz	HAND Controller Only ¹	WH White
	MP Monopoint	TW2 2700-6500K ⁴		ME Medium 24°		010V 0-10V ²	BK Black
				WD Wide 30°		DALI DALI ³	
				ZO Zoom 20-50°		DMX DMX	
						RCLC RCL Control	
		TW2 2700-6500K ⁴	28 2800LM	NA Narrow 17°			
				ME Medium 26°			
				WD Wide 30°			

Notes

¹ Handheld controller only, no additional control option enabled

² 0-10V controls light level only, handheld remote used for movement, CCT and scene control

³ DALI controls light level, groups and scenes, handheld remote used for movement

⁴ Tunable white when paired with Lensvector beam control has a narrower CCT tuning range of 1800-3000K or 2700-5500K

DRX2 - TUNABLE WHITE

FOR TRACK & MONOPOINT

DRX2 ON ONETRACK



White



Black

DRX2 MONOPOINT



White

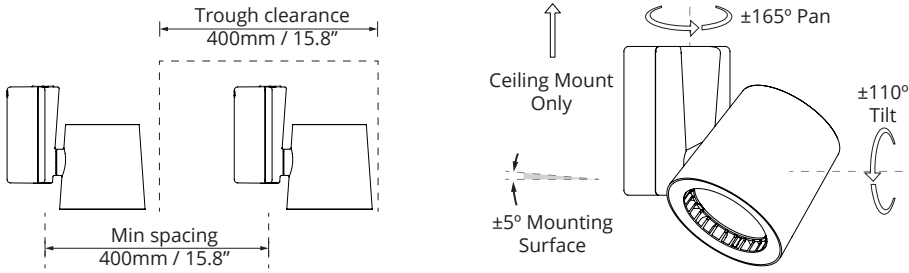


Black

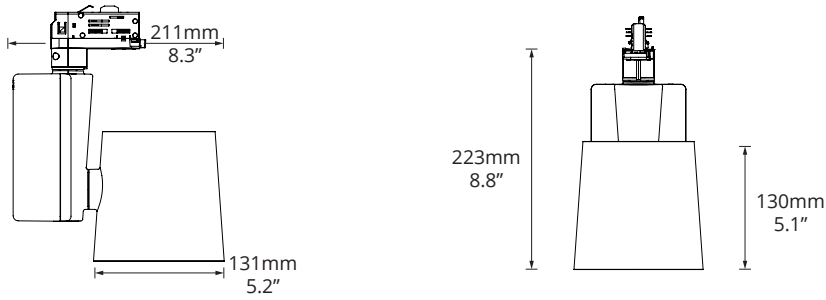
DRX2 - TUNABLE WHITE

FOR TRACK & MONOPOINT

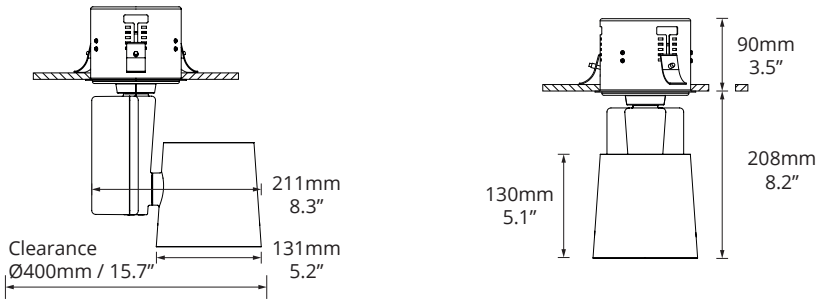
INSTALLATION CLEARANCE AND ARTICULATION



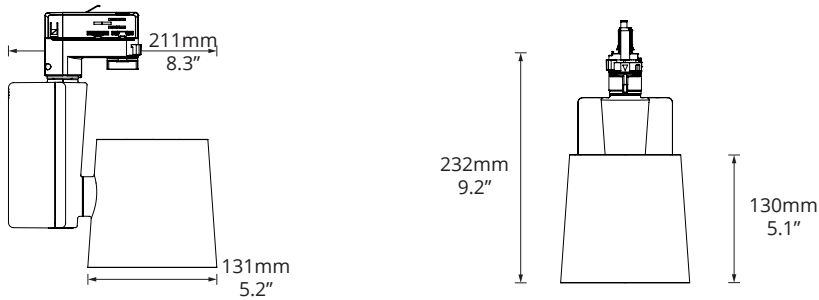
230V 3-CIRCUIT TRACK



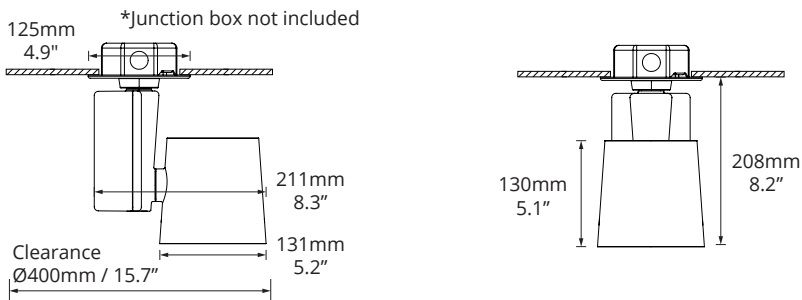
230V MONOPOINT



120V 2-CIRCUIT TRACK - NORTH AMERICA



120V MONOPOINT - NORTH AMERICA



DIMMING & CONTROL TABLE

	Core Control Option In all products	Additional Control Option 1 can be used in addition to the handheld remote Remote required for commissioning			
	Handheld Remote	RCL Control	DALI	DMX	0-10V
BRIGHTNESS	✓	✓	✓	✓	✓
MOVEMENT	✓	✓	1	✓	
COLOUR TEMPERATURE	✓	✓	✓	✓	
RGBW	✓	✓	1	✓2	
ZOOM	✓	✓	1	✓	
SCENES	✓	✓	1	✓	

1. Zoom, RGBW and position programmed by handheld remote, recalled by DALI scenes command. 10 scenes available, not available with all DALI systems.
2. Hue and Saturation control.

DIMMING & CONTROL DETAILS

Handheld Remote

The RCL handheld remote controller affords control of all aspects of the luminaire. Our products are available both as solely controlled by the remote or with another protocol. Regardless of if another protocol is specified on the product, it will always have the ability to be controlled by our handheld remote controller. The luminaire will always power up with its last configuration.

RCL Control

The RCL Control iPad app offers an intuitive, user-friendly interface capable of managing multiple rooms and floors. RCL control requires a mediator device that acts as the wired to wireless interface on the project, this device acts as the hub, receiving then distributing wireless commands to up to 200 luminaires. The mediator can receive DALI or DMX wired inputs to allow control of groups of luminaires and recalling scenes requested from external building management systems. RCL Control utilises a dynamic wireless mesh network for robust, scalable and low-latency performance, ensuring reliable and secure operation without internet dependence. Luminaires can be organised into zones, groups and scenes, all controlled through our award-winning reflected ceiling plan interface.

DALI

DALI offers brightness, CCT, group and scene control of our luminaires, the handheld remote is needed for movement. The first 10 scenes can be programmed by handheld controller and recalled by DALI, in this case all configured features can be set and recalled (i.e. zoom, position, etc). Not all DALI controllers use the DALI scene command, so testing is recommended.

DMX

All configured features of our luminaires are available for control by DMX, by default the fixture will have a footprint of 4, allowing for pan, tilt and dim control. The handheld remote allows the user to select one of six possible profiles allowing for dim only, dim and movement or movement and control of all fitted light engine features with different resolutions available. Please note that RGBW is controlled with a hue and saturation channel.

When installing DMX to track mounted fixtures it is important to ensure that appropriate electrical isolation is provided between the DMX circuits on the track and any DMX connections. The DMX and electrical grounds will need to be connected, typically by a mains-powered splitter on the same circuit.

0-10V

0-10V has a single control group as all luminaires connected to the databus will dim in unison. 0-10V will only control the brightness, the handheld remote is needed for movement, CCT and zoom if available.

Phase

Phase dimming is not available on RCL products.

Control method not listed here? We have a wealth of experience integrating with 3rd party control systems so get in touch.

DRX2 - TUNABLE WHITE

FOR TRACK & MONOPOINT

2000LM LIGHT ENGINE - OUTPUT SCALING

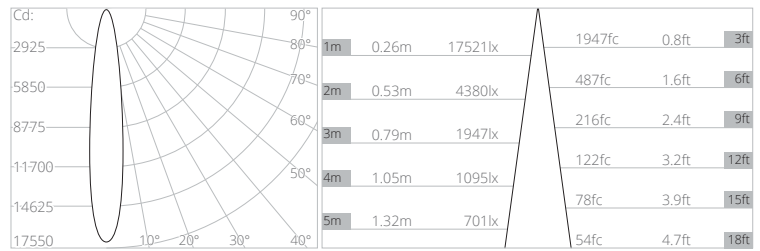
CCT	Multiplier	CRI	R9	Rf	Rg	Max Delivered lm
1800K	0.70	92	68	90	99	1398lm
2400K	0.90	92	80	90	99	1793lm
3000K	1.00	92	75	90	99	1997lm
4000K	1.06	91	70	89	99	2116lm
6500K	1.20	91	65	89	98	2396lm

All diagrams and data measured at 3000K

2000LM LIGHT ENGINE - PHOTOMETRY

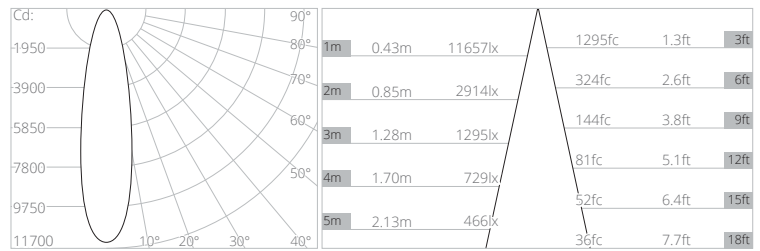
15° BEAM

BEAM ANGLE 15°
 DELIVERED LM 1761lm
 PEAK INTENSITY 17521cd



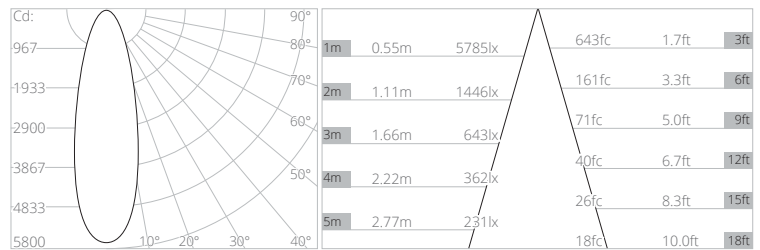
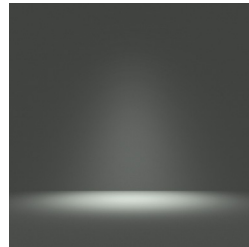
24° BEAM

BEAM ANGLE 24°
 DELIVERED LM 1939lm
 PEAK INTENSITY 11657cd



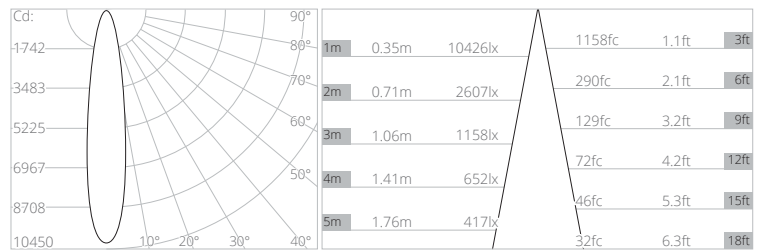
30° BEAM

BEAM ANGLE 30°
 DELIVERED LM 1997lm
 PEAK INTENSITY 5785cd



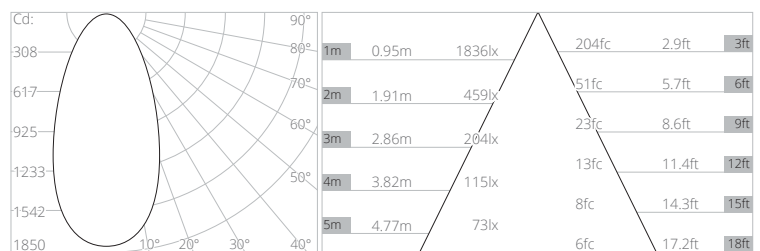
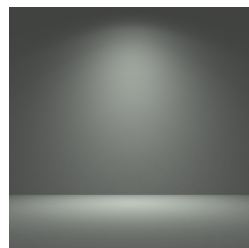
ZOOM 20° NARROWEST BEAM

BEAM ANGLE 20°
 DELIVERED LM 1792lm
 PEAK INTENSITY 10426cd



ZOOM 50° WIDEST BEAM

BEAM ANGLE 50°
 DELIVERED LM 1556lm
 PEAK INTENSITY 1836cd



DRX2 - TUNABLE WHITE

FOR TRACK & MONOPOINT

2800LM LIGHT ENGINE - OUTPUT SCALING

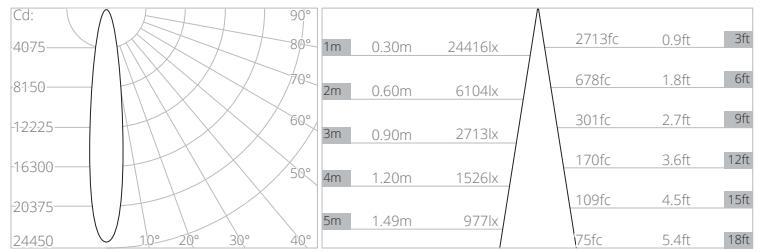
CCT	Multiplier	CRI	R9	Rf	Rg	Max Delivered lm
1800K	-	-	-	-	-	-
2400K	-	-	-	-	-	-
3000K	1.00	92	75	90	99	2765lm
4000K	1.06	91	70	89	99	2930lm
6500K	1.20	91	65	89	98	3318lm

All diagrams and data measured at 3000K

2800LM LIGHT ENGINE - PHOTOMETRY

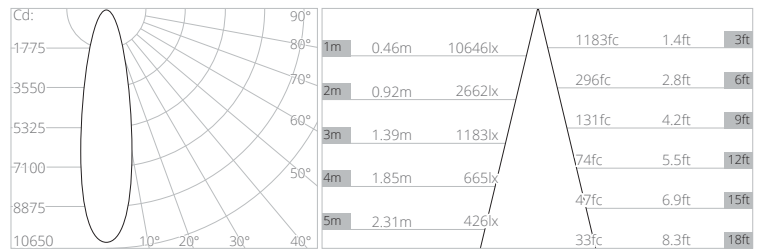
17° BEAM

BEAM ANGLE 17°
 DELIVERED LM 2765lm
 PEAK INTENSITY 24416cd



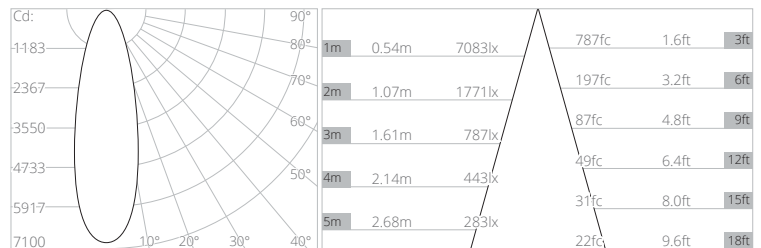
26° BEAM

BEAM ANGLE 26°
 DELIVERED LM 2664lm
 PEAK INTENSITY 10646cd



30° BEAM

BEAM ANGLE 30°
 DELIVERED LM 2514lm
 PEAK INTENSITY 7083cd



DRX2 - TUNABLE WHITE

FOR TRACK & MONOPOINT

ACCESSORIES

Accessories for 2000lm & 2800lm all beam options

A separate accessory holder is required that is field swappable for the honeycomb louver. The softening microlens options are factory fitted without an additional holder.

ACCESSORIES ORDER CODE

	2000lm	2800lm	Use
ORDER CODES			
ACCESSORY HOLDER	18364	18364	Accommodates 1 louver plus 1 lens
HONEYCOMB LOUVER	18365	18365	Reduces field beam and glare
NARROW MICROLENS	18393	18393	Light beam softening
MEDIUM MICROLENS	18394	18394	Medium beam softening
WIDE MICROLENS	18395	18395	Heavy beam softening

FEATURE MAP

