



Features

The Cove Channel aluminum extrusion has been designed to fit into a cove applications. Multiple reflector options allow for great flexibility and adaptability for any application. Extrusion is field cuttable. Substantial aluminum mass in profile provides excellent heat sink for high power LEDs.

Finish

Silver anodized

Warranty

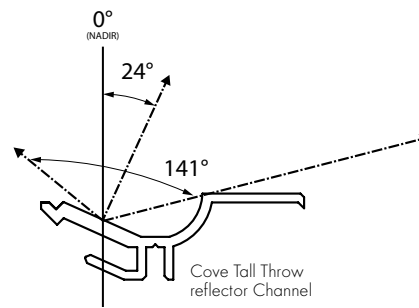
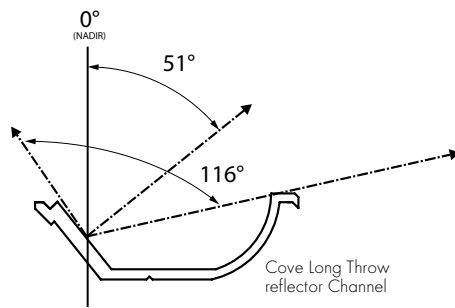
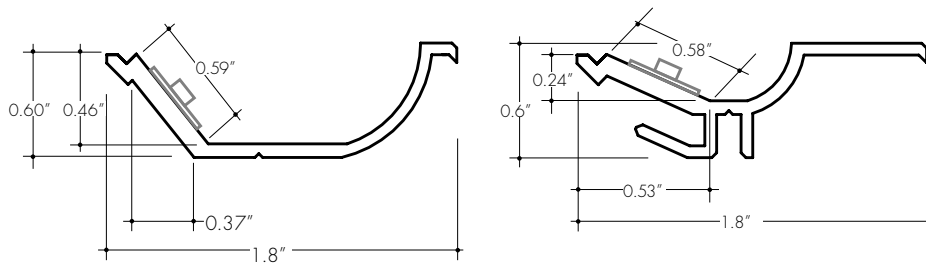
7 Years

Diffuser Lens

Polycarbonate, snap-in-place, UV resistant



Product Dimensions



Ordering Code

| MODEL | LENGTH | FINISH |
|--|-------------------------------------|----------------------|
| CLTC - Long Throw Reflector CTTC - Tall Throw Reflector | 72 - 72" 144 - 144 ^{*1} | SA - Silver anodized |

1 - For Channels over 96", incremental shipping charges will apply.