

Features

- 24VDC Class 2 fixtures made to order up to 144".
- Comes with 8ft silver adjustable cable
- Single micro binned LEDs +/- 30 CCT
- Class 2 listed for damp locations
- Dot free even illumination
- Proprietary strong bond solder method handles up to 50 lbs of pull force on wire leads and connectors
- High Color Quality options offer premium quality and vibrant colors with R9 values up to 97
- High Efficacy options offer best in class output and efficacy with over 725 lm/ft and up to 91 lm/W
- Average Life (L70): 50,000hrs
- 7 Year warranty

Finish Options (see page 2 for additional information)

- Base Silver Anodized
- Powder Coat Black Bronze White
- Premium Matte Black Warm Nickel Aged Brass Polished Gold Chrome



Technical Information

MODEL	High Color Quality		High Efficacy				High Efficacy	
	60X2HO	60X2VHO	HE48LO	HE48SO	HE48MO	HE48HO	HE64VHO	HE64XHO
OUTPUT OPTIONS								
Lumens Output (3000K) (with a Frosted Lens)	434 lm/ft	542 lm/ft	172 lm/ft	239 lm/ft	319 lm/ft	511 lm/ft	647 lm/ft	727 lm/ft
Average Power Consumption (for a 4" section)	7.3 W/ft	9.4 W/ft	1.9 W/ft	2.8 W/ft	3.5 W/ft	6.5 W/ft	7.5 W/ft	9.6 W/ft
Efficacy	59 lm/W	58 lm/W	91 lm/W	85 lm/W	91 lm/W	79 lm/W	86 lm/W	76 lm/W
Max Run Length (in series)	26 ft	21 ft	48 ft	42 ft	33 ft	21 ft	15 ft	13 ft
Ambient Operating Temperature Range*	-5°F - 115°F (-20°C - 45°C)	-5°F - 105°F (-20°C - 40°C)	-5°F - 125°F (-20°C - 50°C)				-5°F - 115°F (-20°C - 45°C)	-5°F - 95°F (-20°C - 35°C)

*Ambient Operating Temperature Range to maintain L70 of 50k+ hours in normal mounting conditions for the fixture. Exceeding Ambient Operating Temperature Range may result in decreased life/output. Consult Technical Support for specific inquiries.

High Color Quality (60X2)

CCT	Multiplier (reference - 3000K)	TM-30			
		CRI	R _f	R _g	R ₉
2200K	0.70	96	95	101	89
2400K	0.72	98	97	101	91
2700K	0.74	97	96	101	91
3000K	1.00	97	95	104	97
3500K	1.02	97	94	105	97
4100K	1.07	97	90	99	97

High Efficacy (HE48/HE64)

CCT	Multiplier (reference - 3000K)	TM-30			
		CRI	R _f	R _g	R ₉
2200K	0.73	92	91	97	42
2500K	0.81	93	96	96	62
2700K	0.94	92	90	99	58
3000K	1.00	92	89	99	57
3500K	1.02	92	89	99	60
4000K	1.02	92	86	94	71

Ordering Code

MODEL	LENGTH ¹	OUTPUT ²	CCT	LENS	STANDOFF TYPE	FINISH ^{3,4}	POSITION TYPE	POWER FEED
CLS-Clareo S CLQ-Clareo Q	12" - 144" 2" increments	60X2HO-High 60X2VHO-Very High	22K-2200K 24K-2400K 27K-2700K 30K-3000K 35K-3500K 41K-4100K	F-Frosted	S-Straight P-Sloped	BASE SA-Silver Anodized POWDER COAT BK-Black BZ-Bronze WH-White PREMIUM MBK-Matte Black WVN-Warm Nickel AB-Aged Brass PG-Polished Gold ⁵ CH-Chrome ⁵	B-Back	R-Remote power supply INT120-Lutron Hi-Lume A Series ELV dimming, Integral power supply 120VAC, MAX 40W, see wattage chart for compatibility INT277-LTF ELV dimming, Integral power supply 277VAC, MAX 60W, see wattage chart for compatibility INTECO-Lutron Hi-Lume A Series L3D Integral power supply 120-277VAC Ecosystem, MAX 40W, see wattage chart for compatibility Up to two power supplies will be provided when exceeding specified power supply max wattage. See Power Consumption Charts for output wattage requirements.
		HE48LO-Low HE48SO-Standard HE48MO-Medium HE48HO-High HE64VHO-Very High HE64XHO-Max	22K-2200K 25K-2500K 27K-2700K 30K-3000K 35K-3500K 40K-4000K					

1 - Custom lengths and increments are available, please consult Inside Sales with specific request.

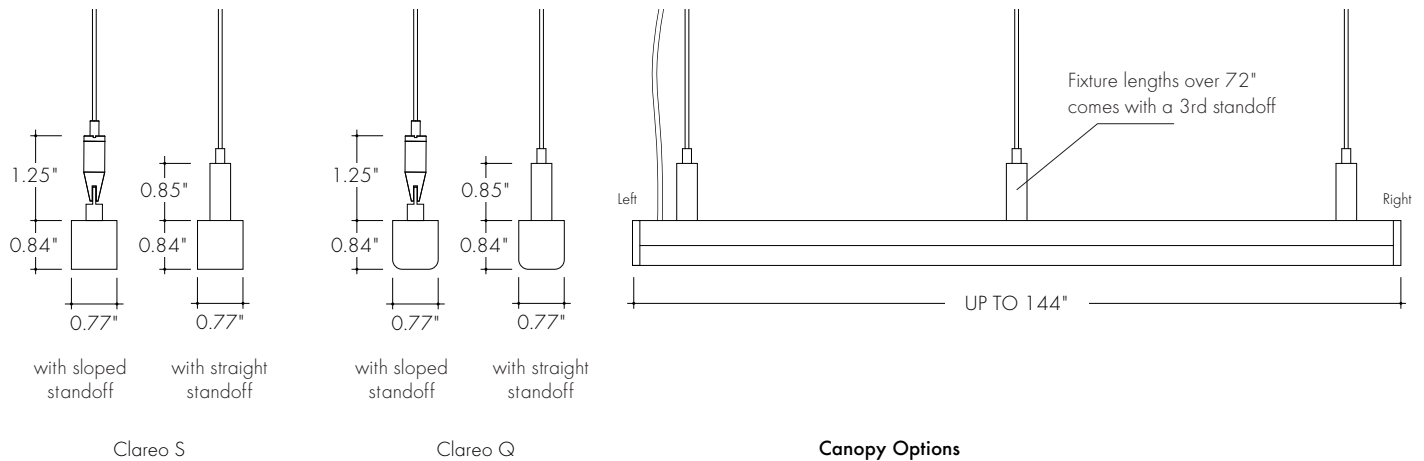
2 - All High Efficacy options can be used to comply with Title 24 JAB. High Color Quality options can be used to comply with Title 24 JAB depending on Output, CCT, and lens selection. See multiplier charts to calculate specific efficacies.

3 - Non Base finishes may have extended lead times. Custom RALs are available, please consult Inside Sales with specific request.

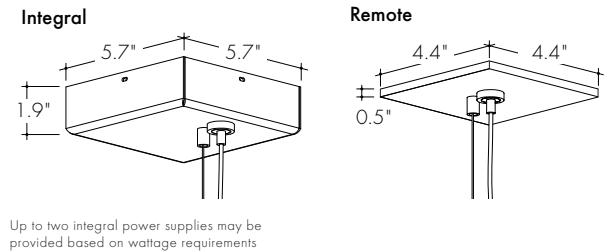
4 - White canopy included with all finishes except Black and Matte Black, which include a Black canopy.

5 - Polished Gold finishes and Chrome finishes have a maximum fixture length of 96".

Product Dimensions

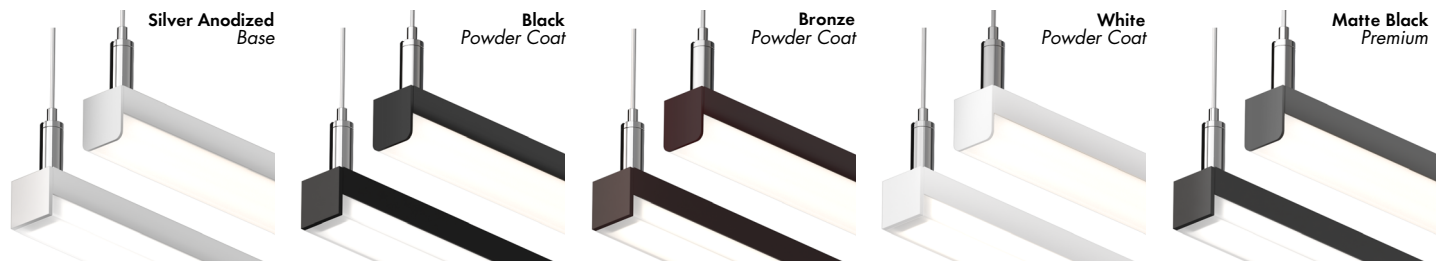


Canopy Options



Finish Options

- Finish options are available in a wide variety, allowing for complete customization of style and aesthetic.
- Non Base finishes may have extended lead times and price adder.
- Polished Gold and Chrome finishes have a maximum fixture length of 96".
- Custom RALs are available, please consult Inside Sales with specific request.



Silver Anodized is a soft silver with a clear finish.

Black is a true deep black with a glossy finish.

Bronze is a rich, dark brown with a satin finish.

White is a polar bright white and field paintable.

Matte Black is a dark, pitch-black with a soft flat finish.



Warm Nickel is a soft, silvery smoke with warm tones and a satin finish.

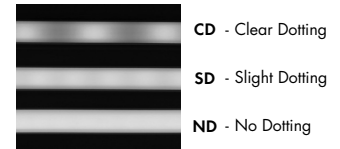
Aged Brass is a deep brown shade with slightly golden undertones.

Polished Gold is bright and radiant for a brilliant finish.

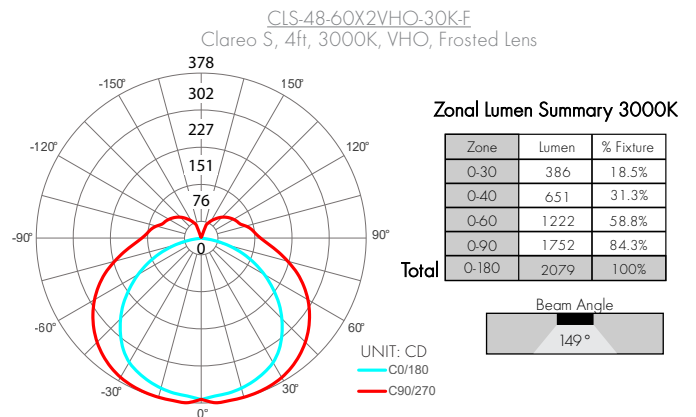
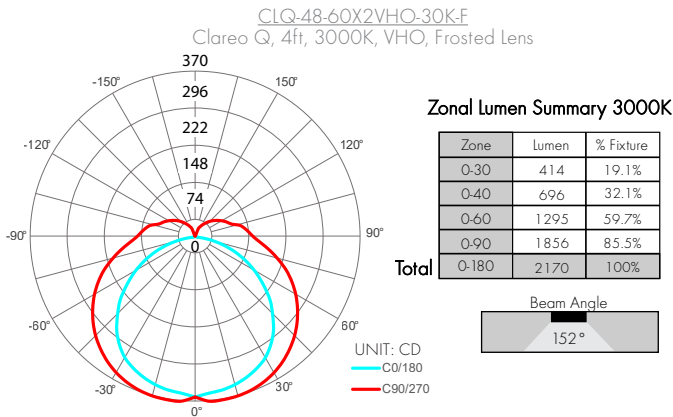
Chrome is a highly reflective silver polish.

Light Transmission and Dotting

Output Options	Lens/Accessory							
	CLQ Frosted Lens				CLS Frosted Lens			
Dimming Level	100%	50%	10%	1%	100%	50%	10%	1%
60X2HO	ND	ND	ND	ND	ND	ND	ND	ND
60X2VHO	ND	ND	ND	ND	ND	ND	ND	ND
HE48LO	ND	ND	ND	ND	ND	ND	ND	ND
HE48SO	ND	ND	ND	ND	ND	ND	ND	ND
HE48MO	ND	ND	ND	ND	ND	ND	ND	ND
HE48HO	ND	ND	ND	ND	ND	ND	ND	ND
HE64VHO	ND	ND	ND	ND	ND	ND	ND	ND
HE64XHO	ND	ND	ND	ND	ND	ND	ND	ND
Transmission Percentage	100%				96%			



Photometry



Power Consumption

Tested at Full Power with PS-UNI Series power supplies.

Standard Nominal Lengths offered provide minimal shadowing. For alternate lengths, please consult Inside Sales with specific request.

High Color Quality (60X2)

Nominal Length (in)	Actual Length	Watts		Nominal Length (in)	Actual Length	Watts		Nominal Length (in)	Actual Length	Watts		Nominal Length (in)	Actual Length	Watts	
		HO	VHO			HO	VHO			HO	VHO			HO	VHO
12	10 11/16	8.3	10.4	47	—	—	—	82	81	45.4	57.1	117	116 3/16	61.1	72.2
13	12 2/16	8.3	10.4	48	47 4/16	28.2	36.0	83	82 7/16	46.3	58.1	118	117 9/16	62.1	73.0
14	13 8/16	8.9	11.3	49	48 11/16	29.3	37.4	84	83 13/16	46.7	58.6	119	119	62.5	73.4
15	14 15/16	9.5	12.1	50	—	—	—	85	—	—	—	120	—	—	—
16	—	—	—	51	50 1/16	29.9	38.1	86	85 4/16	47.2	59.2	121	120 6/16	63.5	74.2
17	16 5/16	10.1	12.9	52	51 8/16	31.0	39.5	87	86 10/16	48.1	60.4	122	121 13/16	63.8	74.3
18	17 12/16	11.3	14.5	53	52 14/16	31.5	40.2	88	—	—	—	123	—	—	—
19	—	—	—	54	—	—	—	89	88 1/16	48.5	61.0	124	123 3/16	64.2	74.4
20	19 2/16	11.9	15.3	55	54 5/16	32.1	40.9	90	89 7/16	49.4	62.2	125	124 10/16	64.9	74.6
21	20 9/16	13.1	16.9	56	55 11/16	33.1	42.3	91	90 14/16	49.9	62.8	126	—	—	—
22	21 15/16	13.7	17.7	57	—	—	—	92	—	—	—	127	126	65.2	74.7
23	—	—	—	58	57 2/16	33.7	43.0	93	92 4/16	50.3	63.4	128	127 7/16	65.9	74.9
24	23 6/16	14.3	18.5	59	58 8/16	34.8	44.4	94	93 11/16	51.2	64.6	129	128 13/16	66.3	75.0
25	24 12/16	15.5	20.2	60	59 15/16	35.3	45.1	95	—	—	—	130	—	—	—
26	—	—	—	61	—	—	—	96	95 1/16	51.7	65.2	131	130 4/16	66.6	75.1
27	26 3/16	16.1	20.9	62	61 5/16	35.9	45.8	97	96 8/16	52.6	66.4	132	131 10/16	67.3	75.3
28	27 9/16	17.3	22.4	63	62 12/16	36.9	47.0	98	97 14/16	53.0	66.7	133	—	—	—
29	29	17.9	23.2	64	—	—	—	99	—	—	—	134	133 1/16	67.6	75.4
30	—	—	—	65	64 2/16	37.4	47.6	100	99 5/16	53.5	66.9	135	134 7/16	68.2	75.8
31	30 6/16	19.1	24.7	66	65 9/16	38.4	48.7	101	100 11/16	54.4	67.4	136	135 14/16	68.5	76.0
32	31 13/16	19.7	25.4	67	66 15/16	38.9	49.3	102	—	—	—	137	—	—	—
33	—	—	—	68	—	—	—	103	102 2/16	54.8	67.6	138	137 4/16	68.8	76.2
34	33 3/16	20.3	26.2	69	68 6/16	39.4	49.9	104	103 8/16	55.7	68.1	139	138 11/16	69.3	76.7
35	34 10/16	21.6	27.7	70	69 12/16	40.4	51.1	105	104 15/16	56.1	68.4	140	—	—	—
36	—	—	—	71	—	—	—	106	—	—	—	141	140 1/16	69.6	76.9
37	36	22.2	28.4	72	71 3/16	40.9	51.7	107	106 5/16	56.5	68.6	142	141 8/16	70.2	77.4
38	37 7/16	23.3	29.9	73	72 9/16	41.9	52.9	108	107 12/16	57.4	69.1	143	142 14/16	70.5	77.6
39	38 13/16	23.9	30.5	74	74	42.4	53.5	109	—	—	—	144	—	—	—
40	—	—	—	75	—	—	—	110	109 2/16	57.9	69.3				
41	40 4/16	24.4	31.2	76	75 6/16	43.2	54.5	111	110 9/16	58.8	70.1				
42	41 10/16	25.5	32.6	77	76 13/16	43.7	55.0	112	111 15/16	59.3	70.5				
43	—	—	—	78	—	—	—	113	—	—	—				
44	43 1/16	26.0	33.3	79	78 3/16	44.1	55.5	114	113 6/16	59.7	70.9				
45	44 7/16	27.1	34.7	80	79 10/16	45.0	56.6	115	114 12/16	60.7	71.8				
46	45 14/16	27.7	35.3	81	—	—	—	116	—	—	—				

Power Consumption

Tested at Full Power with PS-UNI Series power supplies.

Standard Nominal Lengths offered provide minimal shadowing. For alternate lengths, please consult Inside Sales with specific request.

High Efficacy (HE48)

Nominal Length (in)	Actual Length	Watts				Nominal Length (in)	Actual Length	Watts				Nominal Length (in)	Actual Length	Watts				Nominal Length (in)	Actual Length	Watts			
		LO	SO	MO	HO			LO	SO	MO	HO			LO	SO	MO	HO			LO	SO	MO	HO
12	10 11/16	1.7	2.5	3.5	5.7	47	46 2/16	6.9	10.7	13.3	24.7	82	81 9/16	12.5	19.9	23.9	42.2	117	-	-	-	-	
13	12 11/16	1.7	2.5	3.5	5.7	48	-	-	-	-	-	83	-	-	-	-	-	118	117	17.5	27.7	34.3	58.7
14	-	-	-	-	-	49	48 2/16	7.1	11.2	13.9	25.4	84	83 9/16	12.8	20.3	24.5	43.1	119	119	17.8	28.1	34.9	59.6
15	14 10/16	2.0	3.0	4.0	7.2	50	-	-	-	-	-	85	-	-	-	-	-	120	-	-	-	-	
16	-	-	-	-	-	51	50 1/16	7.4	11.7	14.5	26.3	86	85 8/16	13.1	20.8	25.1	44.1	121	120 15/16	18.1	28.6	35.5	60.5
17	16 10/16	2.4	3.5	4.6	8.7	52	-	-	-	-	-	87	-	-	-	-	-	122	-	-	-	-	
18	-	-	-	-	-	53	52 1/16	7.7	12.3	15.1	27.4	88	87 8/16	13.4	21.3	25.7	45.0	123	122 15/16	18.3	29.0	36.0	62.1
19	18 9/16	2.7	3.9	5.2	10.2	54	-	-	-	-	-	89	-	-	-	-	-	124	-	-	-	-	
20	-	-	-	-	-	55	54	8.0	12.9	15.7	28.5	90	89 7/16	13.7	21.7	26.3	46.0	125	124 14/16	18.4	29.5	36.6	63.8
21	20 9/16	3.0	4.4	5.8	11.7	56	56	8.4	13.5	16.4	29.5	91	-	-	-	-	-	126	-	-	-	-	
22	-	-	-	-	-	57	-	-	-	-	-	92	91 7/16	14.0	22.1	26.9	47.0	127	126 14/16	18.6	29.9	37.2	65.4
23	22 8/16	3.4	4.9	6.4	13.2	58	57 15/16	8.7	14.0	17.0	30.6	93	-	-	-	-	-	128	-	-	-	-	
24	-	-	-	-	-	59	-	-	-	-	-	94	93 6/16	14.3	22.6	27.5	47.9	129	128 13/16	18.8	30.4	37.7	67.0
25	24 8/16	3.7	5.4	7.0	14.7	60	59 15/16	9.0	14.6	17.6	31.6	95	-	-	-	-	-	130	-	-	-	-	
26	-	-	-	-	-	61	-	-	-	-	-	96	95 6/16	14.4	22.8	27.8	48.4	131	130 13/16	18.9	30.8	38.3	68.6
27	26 7/16	4.1	5.9	7.5	15.8	62	61 14/16	9.4	15.2	18.2	32.6	97	-	-	-	-	-	132	-	-	-	-	
28	-	-	-	-	-	63	-	-	-	-	-	98	97 5/16	14.7	23.3	28.5	49.4	133	132 12/16	19.1	31.2	38.9	70.2
29	28 7/16	4.4	6.4	8.1	16.8	64	63 14/16	9.7	15.6	18.7	33.7	99	-	-	-	-	-	134	-	-	-	-	
30	-	-	-	-	-	65	-	-	-	-	-	100	99 5/16	15.0	23.7	29.0	50.4	135	134 12/16	19.3	31.8	39.4	70.7
31	30 6/16	4.8	6.9	8.7	17.9	66	65 13/16	10.0	16.1	19.2	34.7	101	-	-	-	-	-	136	-	-	-	-	
32	-	-	-	-	-	67	-	-	-	-	-	102	101 4/16	15.3	24.1	29.6	51.3	137	136 11/16	19.5	32.3	40.0	71.2
33	32 6/16	5.0	7.2	9.0	18.5	68	67 13/16	10.4	16.5	19.8	35.7	103	-	-	-	-	-	138	-	-	-	-	
34	-	-	-	-	-	69	-	-	-	-	-	104	103 4/16	15.6	24.6	30.2	52.3	139	138 11/16	19.8	32.8	40.6	71.8
35	34 5/16	5.4	7.7	9.6	19.5	70	69 12/16	10.7	17.0	20.3	36.7	105	-	-	-	-	-	140	-	-	-	-	
36	-	-	-	-	-	71	-	-	-	-	-	106	105 3/16	15.8	25.0	30.7	53.2	141	140 10/16	20.0	33.3	41.1	72.3
37	36 5/16	5.7	8.2	10.2	20.6	72	71 12/16	11.0	17.4	20.8	37.7	107	-	-	-	-	-	142	-	-	-	-	
38	-	-	-	-	-	73	-	-	-	-	-	108	107 3/16	16.1	25.5	31.3	54.2	143	142 10/16	20.2	33.9	41.7	72.8
39	38 4/16	6.0	8.7	10.8	21.5	74	73 11/16	11.3	17.9	21.4	38.7	109	-	-	-	-	-	144	-	-	-	-	
40	-	-	-	-	-	75	-	-	-	-	-	110	109 2/16	16.4	25.9	31.9	55.2						
41	40 4/16	6.2	9.2	11.4	22.3	76	75 11/16	11.6	18.4	22.0	39.6	111	-	-	-	-	-						
42	-	-	-	-	-	77	-	-	-	-	-	112	111 2/16	16.7	26.4	32.5	56.1						
43	42 3/16	6.4	9.7	12.0	23.1	78	77 10/16	11.9	18.9	22.7	40.5	113	-	-	-	-	-						
44	-	-	-	-	-	79	-	-	-	-	-	114	113 1/16	17.0	26.8	33.1	57.0						
45	44 3/16	6.7	10.2	12.6	23.9	80	79 10/16	12.2	19.4	23.3	41.4	115	-	-	-	-	-						
46	-	-	-	-	-	81	-	-	-	-	-	116	115 1/16	17.3	27.3	33.7	57.9						

Power Consumption

Tested at Full Power with PS-UNI Series power supplies.

Standard Nominal Lengths offered provide minimal shadowing. For alternate lengths, please consult Inside Sales with specific request.

High Efficacy (HE64)

Nominal Length (in)	Actual Length	Watts		Nominal Length (in)	Actual Length	Watts		Nominal Length (in)	Actual Length	Watts		Nominal Length (in)	Actual Length	Watts	
		VHO	XHO			VHO	XHO			VHO	XHO			VHO	XHO
12	11 8/16	7.6	9.7	47	46 5/16	28.2	35.9	82	81 2/16	50.4	62.6	117	—	—	—
13	13	7.6	9.7	48	47 13/16	29.5	37.6	83	82 10/16	51.7	63.4	118	117 8/16	72.8	80.7
14	—	—	—	49	—	—	—	84	—	—	—	119	119	73.3	81.0
15	14 8/16	8.9	11.3	50	49 5/16	30.1	38.4	85	84 3/16	52.3	63.8	120	—	—	—
16	—	—	—	51	50 14/16	31.4	40.2	86	85 11/16	53.6	64.7	121	120 8/16	74.4	81.7
17	16	9.5	12.1	52	—	—	—	87	—	—	—	122	—	—	—
18	17 9/16	10.7	13.6	53	52 6/16	32.0	41.1	88	87 3/16	54.2	65.3	123	122	74.8	82.0
19	—	—	—	54	53 14/16	33.3	42.9	89	88 11/16	55.5	66.3	124	123 8/16	75.6	82.5
20	19 1/16	11.4	14.4	55	—	—	—	90	—	—	—	125	—	—	—
21	20 9/16	12.6	16.0	56	55 6/16	34.0	43.8	91	90 3/16	56.2	66.8	126	125 1/16	76.0	82.8
22	—	—	—	57	56 14/16	35.2	45.5	92	91 12/16	57.5	67.9	127	126 9/16	76.8	83.4
23	22 1/16	13.2	16.8	58	—	—	—	93	—	—	—	128	—	—	—
24	23 9/16	14.5	18.3	59	58 7/16	36.5	47.3	94	93 4/16	58.2	68.4	129	128 1/16	77.2	83.6
25	—	—	—	60	59 15/16	37.2	48.2	95	94 12/16	59.5	69.5	130	129 9/16	78.0	84.2
26	25 2/16	15.1	19.1	61	—	—	—	96	—	—	—	131	—	—	—
27	26 10/16	16.4	20.7	62	61 7/16	38.4	50.0	97	96 4/16	60.1	70.0	132	131 2/16	78.4	84.5
28	—	—	—	63	62 15/16	39.1	50.8	98	97 13/16	61.4	71.1	133	132 10/16	79.2	85.0
29	28 2/16	17.0	21.4	64	—	—	—	99	—	—	—	134	—	—	—
30	29 10/16	18.2	23.0	65	64 8/16	40.4	52.5	100	99 5/16	62.0	71.7	135	134 2/16	79.6	85.4
31	—	—	—	66	66	41.0	53.4	101	100 13/16	63.2	72.9	136	135 10/16	80.3	86.2
32	31 3/16	18.9	23.8	67	—	—	—	102	—	—	—	137	—	—	—
33	32 11/16	20.1	25.3	68	67 8/16	42.3	55.1	103	102 5/16	63.8	73.5	138	137 2/16	80.6	86.6
34	—	—	—	69	—	—	—	104	103 13/16	65.0	74.7	139	138 11/16	81.3	87.5
35	34 3/16	20.7	26.1	70	69	42.9	55.9	105	—	—	—	140	—	—	—
36	35 11/16	22.0	27.6	71	70 8/16	44.2	57.6	106	105 6/16	65.6	75.3	141	140 3/16	81.7	87.9
37	—	—	—	72	—	—	—	107	106 14/16	66.8	76.5	142	141 11/16	82.4	88.7
38	37 3/16	22.6	28.4	73	72 1/16	44.9	58.5	108	—	—	—	143	—	—	—
39	38 12/16	23.9	30.1	74	73 9/16	46.1	59.7	109	108 6/16	67.4	77.1	144	143 3/16	82.7	89.1
40	—	—	—	75	—	—	—	110	109 14/16	68.5	78.0				
41	40 4/16	24.5	30.9	76	75 1/16	46.7	60.1	111	—	—	—				
42	41 12/16	25.7	32.6	77	76 9/16	48.0	60.9	112	111 7/16	69.6	78.7				
43	—	—	—	78	—	—	—	113	112 15/16	70.1	79.0				
44	43 4/16	26.4	33.4	79	78 2/16	48.6	61.3	114	—	—	—				
45	44 13/16	27.6	35.1	80	79 10/16	49.8	62.2	115	114 7/16	71.2	79.7				
46	—	—	—	81	—	—	—	116	115 15/16	71.7	80.0				

Voltage Drop Calculator

The below chart assumes nominal voltage of 24 Volts and a Voltage Drop Allowance of 3% through the wire

Wattage [W]	Maximum Wire Length From Power Supply to Start of Run [ft]						
	12 AWG	14 AWG	16 AWG	18 AWG	20 AWG	22 AWG	24 AWG
5	1088.2	684.4	430.3	270.6	170.2	107.1	67.3
10	544.1	342.2	215.1	135.3	85.1	53.5	33.7
15	362.7	228.1	143.4	90.2	56.7	35.7	22.4
20	272.0	171.1	107.6	67.7	42.6	26.8	16.8
25	217.6	136.9	86.1	54.1	34.0	21.4	13.5
30	181.4	114.1	71.7	45.1	28.4	17.8	11.2
35	155.5	97.8	61.5	38.7	24.3	15.3	9.6
40	136.0	85.5	53.8	33.8	21.3	13.4	8.4
45	120.9	76.0	47.8	30.1	18.9	11.9	7.5
50	108.8	68.4	43.0	27.1	17.0	10.7	6.7
55	98.9	62.2	39.1	24.6	15.5	9.7	6.1
60	90.7	57.0	35.9	22.6	14.2	8.9	5.6
65	83.7	52.6	33.1	20.8	13.1	8.2	5.2
70	77.7	48.9	30.7	19.3	12.2	7.6	4.8
75	72.5	45.6	28.7	18.0	11.3	7.1	4.5
80	68.0	42.8	26.9	16.9	10.6	6.7	4.2
85	64.0	40.3	25.3	15.9	10.0	6.3	4.0
90	60.5	38.0	23.9	15.0	9.5	5.9	3.7
96	56.7	35.6	22.4	14.1	8.9	5.6	3.5

Power Supplies

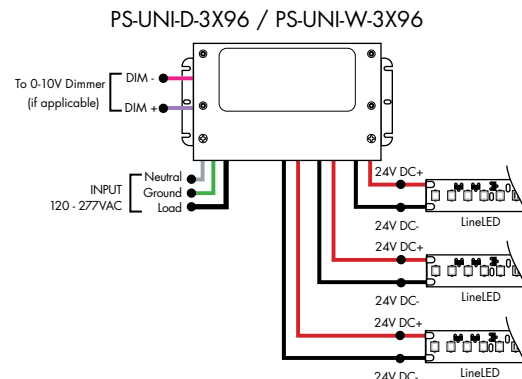
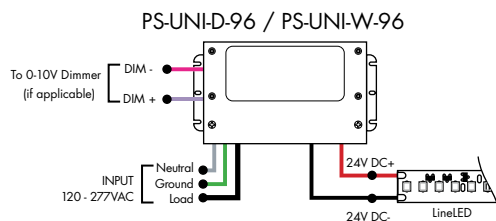
See Power Supply instructions and spec sheet for wiring information. For a complete list of compatible dimmers, see Compatible Dimming Chart on the Resources page.

Ordering Code Universal Dimming Power Supplies 1% 120VAC - 277VAC

MODEL	INPUT CONTROL	ENVIRONMENT	WATTAGE	OUTPUT
PS-Power Supply, 120-277VAC	UNI-0-10V Dimming, Phase Dimming	D-Dry W-Wet	30-30 Watts 60-60 Watts 96-96 Watts 3x96-3x96 Watts	24-24 VDC

Compatibility: View a complete list of compatible dimmers on product page [\(Link\)](#)

0-10V - 1% dimming
MLV/ELV/TRIAC - 1% dimming, consult dimming compatibility chart



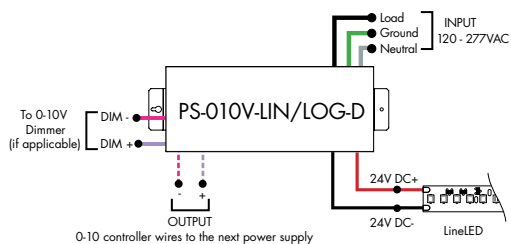
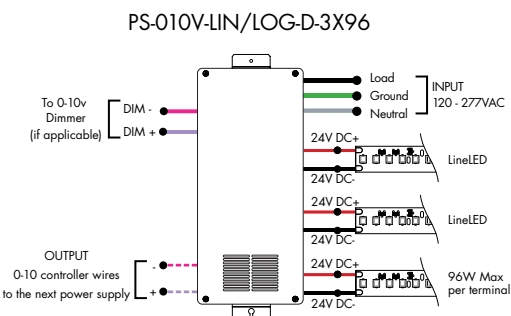
MODELS	PS-UNI-W-30W	PS-UNI-W-60W	PS-UNI-W-96W	PS-UNI-W-3X96W
Length	6.50"	7.40"	8.66"	11.85"
Width	3.73"	3.73"	3.73"	4.32"
Depth	1.61"	1.61"	1.61"	1.81"

MODELS	PS-UNI-D-30W	PS-UNI-D-60W	PS-UNI-D-96W	PS-UNI-D-3X96W
Length	8.77"	8.77"	8.11"	9.94"
Width	4.27"	4.27"	5.60"	7.61"
Depth	1.83"	1.83"	1.83"	2.02"

Ordering Code 0-10V Dimming Power Supplies 0.1% 120VAC - 277VAC

MODEL	INPUT CONTROL	ENVIRONMENT	WATTAGE	OUTPUT
PS-Power Supply, 120-277VAC	010V-LIN-0-10V Dimming (0.1%), Linear 010V-LOG-0-10V Dimming (0.1%), Logarithmic	D-Dry	96-96 Watts 3X96-3x96 Watts	24-24 VDC

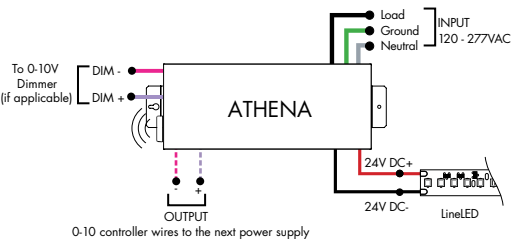
MODELS	96W	3X96
Length	14.40"	15.00"
Width	5.20"	6.62"
Depth	2.60"	4.45"



Athena 0-10V LED Driver

MODEL	INPUT CONTROL	ENVIRONMENT	WATTAGE	OUTPUT	FEATURE
PS-Power Supply, 120-277VAC	010V-LIN-0-10V Dimming, Linear 010V-LOG-0-10V Dimming, Logarithmic	D-Dry	96-96 W	24-24 VDC	AWNR-Athena

MODELS	96W
Length	14.40"
Width	5.20"
Depth	2.60"



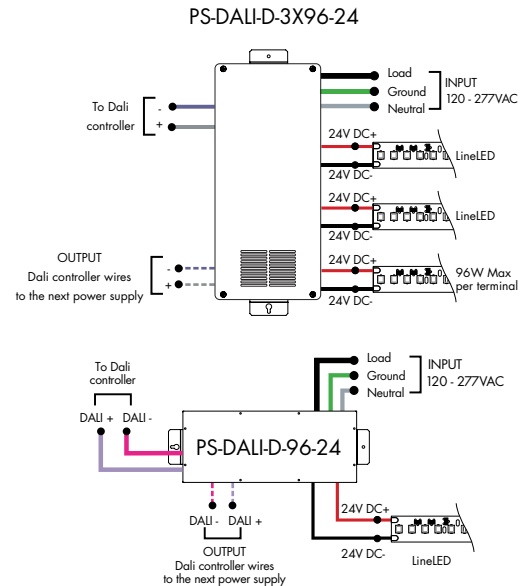
Power Supplies

See Power Supply instructions and spec sheet for wiring information. For a complete list of compatible dimmers, see Compatible Dimming Chart on the Resources page.

Ordering Code DALI1 Dimming Power Supplies 0.1% 120VAC - 277VAC

MODEL	INPUT CONTROL	ENVIRONMENT	WATTAGE	OUTPUT
PS-Power Supply, 120-277VAC	DALI-DALI (0.1%)	D-Dry	96-96 Watts 3X96-3X96 Watts	24-24 VDC

Model	96W	3X96
Length	14.40"	15.00"
Width	5.20"	6.62"
Depth	2.60"	4.56"

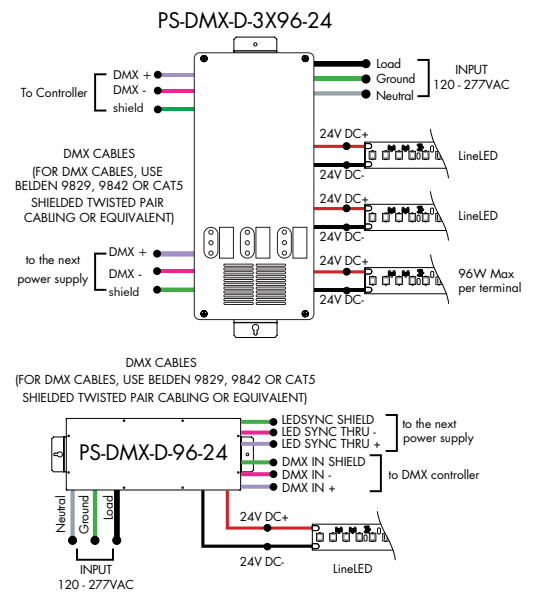


Ordering Code DMX Dimming Power Supplies 0.1% 120VAC - 277VAC Requires Zonal Control

MODEL	INPUT CONTROL	ENVIRONMENT	WATTAGE	OUTPUT
PS-Power Supply, 120-277VAC	DMX-DMX (0.1%)	D-Dry	96-96 Watts 3X96-3X96 Watts	24-24 VDC

*Zonal control power supplies. Control multiple tapes/zones using DMX channels.

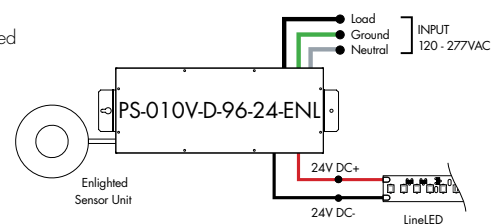
MODELS	96W	3X96
Length	14.40"	15.00"
Width	5.20"	6.62"
Depth	2.60"	4.56"



Ordering Code Enlighted Enabled Dimming Power Supplies 1% 120VAC - 277VAC

MODEL	INPUT CONTROL	ENVIRONMENT	WATTAGE	OUTPUT	FEATURE
PS-Power Supply, 120-277VAC	010V-0-10V Dimming (1%)	D-Dry	96-96 Watts	24-24 VDC	ENL-0-10V Enlightened

Model	96W
Length	14.40"
Width	5.20"
Depth	2.60"

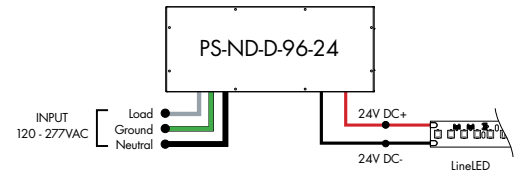


Power Supplies

See Power Supply instructions and spec sheet for wiring information. For a complete list of compatible dimmers, see Compatible Dimming Chart on the Resources page.

Ordering Code Non-Dimming Power Supply 120VAC - 277VAC

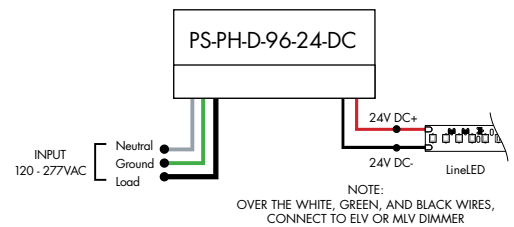
MODEL	INPUT CONTROL	ENVIRONMENT	WATTAGE	OUTPUT
PS - Power Supply, 120-277VAC	ND - Non Dimming	D - Dry	96-96 Watts	24 - 24 VDC



MODELS	96W
Length	14.40"
Width	5.20"
Depth	2.60"

Ordering Code Phase Dimming Power Supply 1% 120VAC - 277VAC

MODEL	INPUT CONTROL	ENVIRONMENT	WATTAGE	OUTPUT	OUTPUT CONTROL
PS - Power Supply, 120-277VAC	PH - Phase Dimming (Triac, ELV, MLV)	D - Dry	96-96 Watts	24-24 VDC	DC - Direct Current

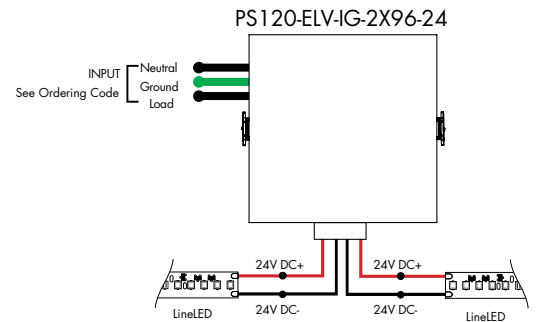


MLV/ELV/TRIAC - 1% dimming, consult dimming compatibility chart ([link](#))

MODELS	96W
Length	8.25"
Width	4.10"
Depth	1.56"

Ordering Code In-Ground Power Supplies

MODEL	INPUT CONTROL	ENVIRONMENT	WATTAGE	OUTPUT
PS120 - Power Supply, 120VAC PS240 - Power Supply, 240VAC PS277 - Power Supply, 277VAC	ELV - ELV Dimming (1%)	IG - In Ground	2X96-2X96 Watts	24-24 VDC



MODELS	2X96W
Length	8.40"
Width	8.30"
Depth	8.10"

Power Supplies

See Power Supply instructions and spec sheet for wiring information. For a complete list of compatible dimmers, see Compatible Dimming Chart on the Resources page.



Luminii is a Lutron OEM Advantage Partner

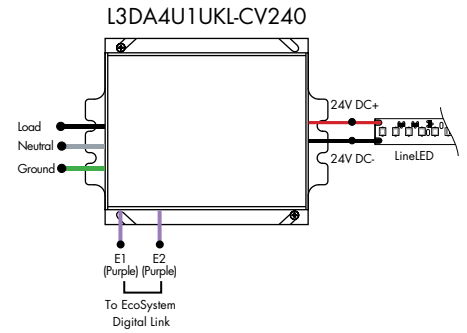
Lutron Power Supplies 1%

MODEL

L3DA4U1UKL-CV240

HiLume™ 1% EcoSystem Voltage LED driver
40W max

MODELS	L3DA4U1UKL-CV240
Length	4.98"
Width	4.00"
Depth	2.62"



Luminii is a Lutron OEM Advantage Partner

Lutron Power Supplies 0.1%

MODEL

L3D0-96W24V-U

HiLume™ 0.1% EcoSystem Voltage LED Driver with Soft-On, Fade-to-Black™
96W max

MODELS	L3D0
Length	10.50"
Width	5.50"
Depth	2.00"

