

Clareo S & Clareo Q - Installation Instructions

Models CLS-XX, & CLQ-XX

Please read all instructions prior to installation and keep for future reference!

1. PRODUCT TO BE INSTALLED BY A QUALIFIED ELECTRICIAN.
2. PRIOR TO INSTALLATION ENSURE POWER IS OFF AT FUSE BOX TO PREVENT ELECTRICAL SHOCK.
3. USE ONLY WITH CLASS 2 POWER UNIT. UTILISER SEULEMENT AVEC LA CLASSE 2 UNITE D'ALIMENTATION ELECTRIQUE.
4. FIXTURE SHOULD BE INSTALLED BY TWO PEOPLE.



REVO.2
12302024

1 / 12



7777 Merrimac Ave
Niles, IL 60714
T 224.333.6033
F 224.757.7557
info@luminii.com
www.luminii.com



Clareo S & Clareo Q - Installation Instructions for remote power supply

Models CLS-XX-R, & CLQ-XX-R



7777 Merrimac Ave
Niles, IL 60714
T 224.333.6033
F 224.757.7557
info@luminii.com
www.luminii.com

REVO.2
12302024

2 / 12

Please read all instructions prior to installation and keep for future reference!

1. PRODUCT TO BE INSTALLED BY A QUALIFIED ELECTRICIAN.
2. PRIOR TO INSTALLATION ENSURE POWER IS OFF AT FUSE BOX TO PREVENT ELECTRICAL SHOCK.
3. USE ONLY WITH CLASS 2 POWER UNIT. UTILISER SEULEMENT AVEC LA CLASSE 2 UNITE D'ALIMENTATION ELECTRIQUE.
4. FIXTURE SHOULD BE INSTALLED BY TWO PEOPLE.

1.1 Slide the standoff mounting set screw brackets, 1" from each end and on center (over 72" only). Then secure standoffs.

1.2 Align one standoff hub to the junction box & measure the distance from standoff hub to the other hub. Then mark this location to the ceiling. Make addition marks if using more than one standoffs. Use canopy detail to sighting off center standoff hub.

Note: Prior to installation all 24VDC wires must be present in junction box. Refer to the power supply installation instruction for additional information.

Note: More than one person is recommended for this installation.

2.1 On the marked location(s), make a hole using a 13/64" drill bit.

2.2 Insert the anchor into the hole and push completely in.

2.3 Insert wood screw through cap & washer and then tighten to secure into the anchors.

3 Prior to installing fixture to power, coaxial cable must be prepared to go inside crossbar assembly. If this step is skipped coaxial cable metal sleeve will tangle up.

1. While holding the coaxial cable end
2. Pull back about an 1-1/2" of the metal sleeve to expose the wires.
3. Cut off 1-1/2" of the wires.
4. Pull forward the metal sleeve and twist to make a firmer single wire

4

4.1 While one person is holding the fixture, the other person can slide the coaxial cable end through the clear o-rings, thumb nut, backplate & crossbar assembly.

4.2 Peel back the coaxial cable to expose the power wires. Connect the red (24VDC+) & black (24VDC-) power supply wires to the fixture red & black wires.

Clareo S & Clareo Q - Installation Instructions for remote power supply

Models CLS-XX-R, & CLQ-XX-R



7777 Merrimac Ave
Niles, IL 60714
T 224.333.6033
F 224.757.7557
info@luminii.com
www.luminii.com

REVO.2
12302024

3 / 12

Please read all instructions prior to installation and keep for future reference!

1. PRODUCT TO BE INSTALLED BY A QUALIFIED ELECTRICIAN.
2. PRIOR TO INSTALLATION ENSURE POWER IS OFF AT FUSE BOX TO PREVENT ELECTRICAL SHOCK.
3. USE ONLY WITH CLASS 2 POWER UNIT. UTILISER SEULEMENT AVEC LA CLASSE 2 UNITE D'ALIMENTATION ELECTRIQUE.
4. FIXTURE SHOULD BE INSTALLED BY TWO PEOPLE.

5

5.1 Insert the wire nut connections into the junction box & align the crossbar to the junction box holes and secure using the provided two #8-32 screw.

5.2 Slide the backplate up to the crossbar and secure by hand tightening the thumb nut into the crossbar.

6

6.1 Untangle each aircraft cable and insert into the threaded post until the cable stopper.

6.2 Push on the standoff hub tab and feed the aircraft cable into the standoff hub until necessary. Release tab to secure in place. For the aircraft cable closest to the coaxial cable slide through the o-rings on the coaxial cable first.

6.3 Remove the clear protective film from the face of the lens.

7

7.1 Tighten each threaded post into a cap, one will be on the backplate and other(s) on the ceiling. If fixture not leveled, adjustments can be made by pushing on the standoff hub tab. Then either feed more cable into the standoff hub or pull out cable from the standoff hub and release to secure.

7.2 Cut off any extra aircraft cable from the standoff hub hole.

7.3 If joining fixture (custom orders only), reference page 11.

8

8.1 If necessary make any final adjustments to the cables use the o-rings for a cleaner look.

Clareo S & Clareo Q - Installation Instructions for 120V AC Integral power supply

Models CLS-XX-INT120, & CLQ-XX-INT120

Please read all instructions prior to installation and keep for future reference!

1. PRODUCT TO BE INSTALLED BY A QUALIFIED ELECTRICIAN.
2. PRIOR TO INSTALLATION ENSURE POWER IS OFF AT FUSE BOX TO PREVENT ELECTRICAL SHOCK.
3. FIXTURE SHOULD BE INSTALLED BY TWO PEOPLE.



7777 Merrimac Ave
Niles, IL 60714
T 224.333.6033
F 224.757.7557
info@luminii.com
www.luminii.com

REVO.2
12302024

4 / 12

1

standoff hub
standoff mounting set screw
Clareo
1" from end

1.1

canopy detail

1.75"
0.94"
5.30"
3.60"
4.40"
5.30"

1.2

standoff hub
measure
third standoff on fixtures over 72" long

1.2

Note: More than one person is recommended for this installation.

- 1.1** Slide the standoff mounting set screw brackets, 1" from each end and on center (over 72" only). Then secure standoffs.
- 1.2** Determine length from the canopy to the standoff hub. Then mark this location to the ceiling. Make addition marks if using more than one standoffs. Use canopy detail to slighting off center standoff hub.

2

ceiling

standoff location marks
13/64" drill bit
drill

2.1

2.2

hole
anchor

2.2

2.3

spacer
cap
wood screw

2.3

- 2.1** On the marked location(s), make a hole using a 13/64" drill bit.
- 2.2** Insert the anchor into the hole and push completely in.
- 2.3** Insert wood screw through cap & washer and then tighten to secure into the anchors.

3 Prior to installing fixture to power, coaxial cable must be prepared to go inside crossbar assembly. ***If this step if skipped coaxial cable metal sleeve will tangle up.***

1. While holding the coaxial cable end

2. Pull back about an 1-1/2" of the metal sleeve to expose the wires.

3. Cut off 1-1/2" of the wires.

4. Pull forward the metal sleeve and twist to make a firmer single wire

4

junction box
crossbar assembly
backplate
hex nut
canopy

4.1 Insert the power wires into the crossbar assembly, backplate, and hex nut.

4.2 Refer to the wiring diagram and make all necessary connections from the power wires to the canopy driver wires.

4.3 Connect to ground in accordance with local electrical codes.

general wiring diagram

Clareo S & Clareo Q - Installation Instructions for 120V AC Integral power supply

Models CLS-XX-INT120, & CLQ-XX-INT120

Please read all instructions prior to installation and keep for future reference!

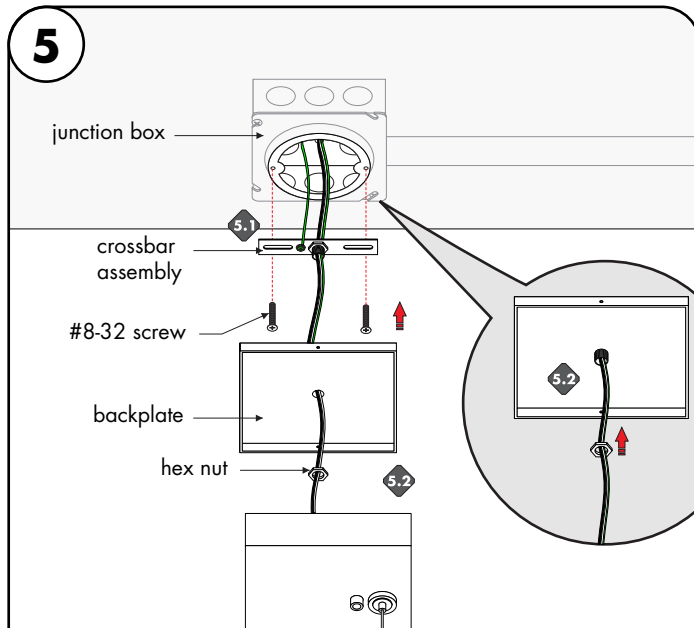
1. PRODUCT TO BE INSTALLED BY A QUALIFIED ELECTRICIAN.
2. PRIOR TO INSTALLATION ENSURE POWER IS OFF AT FUSE BOX TO PREVENT ELECTRICAL SHOCK.
3. FIXTURE SHOULD BE INSTALLED BY TWO PEOPLE.



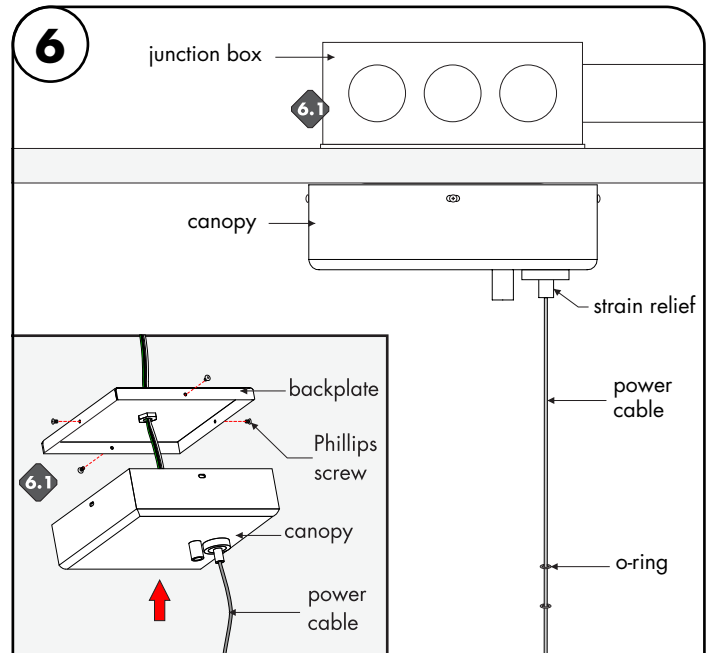
7777 Merrimac Ave
Niles, IL 60714
T 224.333.6033
F 224.757.7557
info@luminii.com
www.luminii.com

REVO.2
12302024

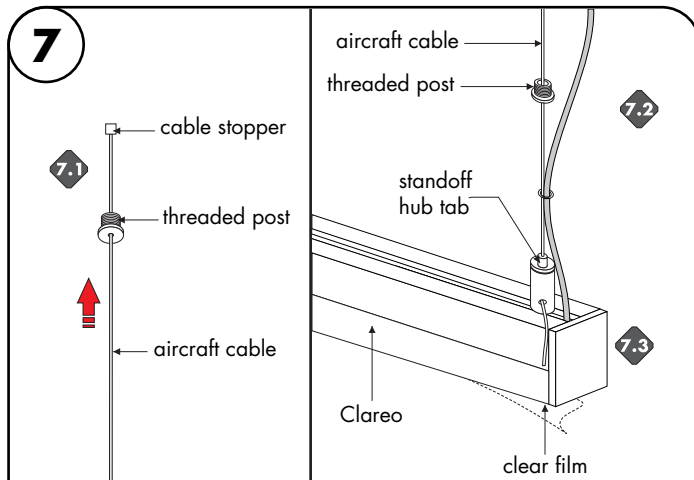
5 / 12



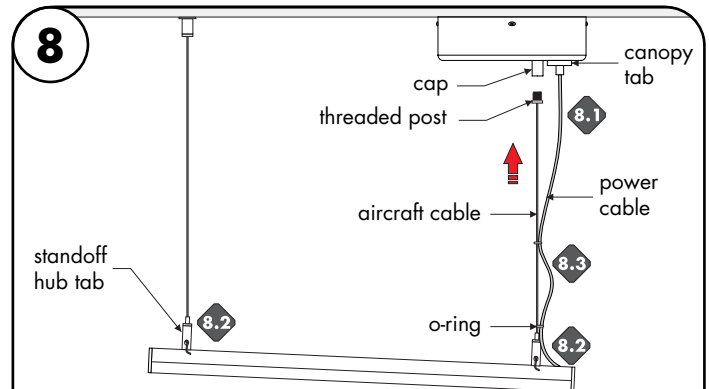
- 5.1** Align the crossbar to the junction box holes and secure using the provided two #8-32 screw.
- 5.2** Slide the backplate up to the crossbar and secure by tightening the hex nut into the crossbar.



- 6.1** Insert the low voltage wire nut connections into the canopy. Align the canopy to the backplate and securing using the 4 Phillip screws.



- 7.1** Untangle each aircraft cable and insert into the threaded post until the cable stopper.
- 7.2** Push on the standoff hub tab and feed the aircraft cable into the standoff hub until necessary. Release tab to secure in place. For the aircraft cable closest to the coaxial cable slide through the o-rings on the coaxial cable first.
- 7.3** Remove the clear protective film from the face of the lens.



- 8.1** Tighten each threaded post into a cap, one will be on the backplate and other(s) on the ceiling. If fixture not leveled, adjustments can be made by pushing on the standoff hub tab. Then either feed more cable into the standoff hub or pull out cable from the standoff hub and release to secure.
- 8.2** Cut off any extra aircraft cable from the standoff hub hole.
- 8.3** If necessary make any final adjustments to the cables use the o-rings for a cleaner look.
- 8.4** If joining fixture (custom orders only), reference page 11.

Clareo S & Clareo Q - Installation Instructions for 277V AC Integral power supply

Models CLS-XX-INT277, & CLQ-XX-INT277

Please read all instructions prior to installation and keep for future reference!

1. PRODUCT TO BE INSTALLED BY A QUALIFIED ELECTRICIAN.
2. PRIOR TO INSTALLATION ENSURE POWER IS OFF AT FUSE BOX TO PREVENT ELECTRICAL SHOCK.
3. FIXTURE SHOULD BE INSTALLED BY TWO PEOPLE.



7777 Merrimac Ave
Niles, IL 60714
T 224.333.6033
F 224.757.7557
info@luminii.com
www.luminii.com

REVO.2
12302024

6 / 12

1

standoff hub
standoff mounting set screw
Clareo
1" from end

1.1

canopy detail

1.75"
0.94"
5.30"
3.60"
4.40"
5.30"

1.2

standoff hub
measure
third standoff on fixtures over 72" long

1.2

Note: More than one person is recommended for this installation.

- 1.1** Slide the standoff mounting set screw brackets, 1" from each end and on center (over 72" only). Then secure standoffs.
- 1.2** Determine length from the canopy to the standoff hub. Then mark this location to the ceiling. Make addition marks if using more than one standoffs. Use canopy detail to slighting off center standoff hub.

2

ceiling

standoff location marks
13/64" drill bit
drill

2.1

2.2

hole
anchor

2.2

2.3

spacer
cap
wood screw

2.3

- 2.1** On the marked locations, make a hole using a 13/64" drill bit.
- 2.2** Insert the anchor into the hole and push completely in.
- 2.3** Insert wood screw through cap & washer and then tighten to secure into the anchors.

3 Prior to installing fixture to power, coaxial cable must be prepared to go inside crossbar assembly. ***If this step if skipped coaxial cable metal sleeve will tangle up.***

1. While holding the coaxial cable end

2. Pull back about an 1-1/2" of the metal sleeve to expose the wires.

3. Cut off 1-1/2" of the wires.

4. Pull forward the metal sleeve and twist to make a firmer single wire

4

junction box
crossbar assembly
backplate
hex nut
canopy

general wiring diagram

277VAC
hot (blk)
neutral (wh)
driver
rd (+V)
blk (-V)
24VDC
ground (grd) on canopy

- 4.1** Insert the power wires into the crossbar assembly, backplate, and hex nut.
- 4.2** Refer to the wiring diagram and make all necessary connections from the power wires to the canopy driver wires.
- 4.3** Connect to ground in accordance with local electrical codes.

Clareo S & Clareo Q - Installation Instructions for 277V AC Integral power supply

Models CLS-XX-INT277, & CLQ-XX-INT277

Please read all instructions prior to installation and keep for future reference!

1. PRODUCT TO BE INSTALLED BY A QUALIFIED ELECTRICIAN.
2. PRIOR TO INSTALLATION ENSURE POWER IS OFF AT FUSE BOX TO PREVENT ELECTRICAL SHOCK.
3. FIXTURE SHOULD BE INSTALLED BY TWO PEOPLE.



7777 Merrimac Ave
Niles, IL 60714
T 224.333.6033
F 224.757.7557
info@luminii.com
www.luminii.com

REVO.2
12302024

7 / 12

5.1 Align the crossbar to the junction box holes and secure using the provided two #8-32 screw.

5.2 Slide the backplate up to the crossbar and secure by tightening the hex nut into the crossbar.

6.1 Insert the low voltage wire nut connections into the canopy. Align the canopy to the backplate and securing using the 4 Phillip screws.

7.1 Untangle each aircraft cable and insert into the threaded post until the cable stopper.

7.2 Push on the standoff hub tab and feed the aircraft cable into the standoff hub until necessary. Release tab to secure in place. For the aircraft cable closest to the coaxial cable slide through the o-rings on the coaxial cable first.

7.3 Remove the clear protective film from the face of the lens.

8.1 Tighten each threaded post into a cap, one will be on the canopy and other(s) on the ceiling. If fixture not leveled, adjustments can be made by pushing on the standoff hub tab. Then either feed more cable into the standoff hub or pull out cable from the standoff hub and release to secure. In addition if power wire is sagging, feed into the canopy. By pressing on the tab on the canopy and feed until necessary.

8.2 Cut off any extra aircraft cable from the standoff hub hole.

8.3 If necessary make any final adjustments to the cables use the o-rings for a cleaner look.

8.4 If joining fixture (custom orders only), reference page 11.

Clareo S & Clareo Q - Installation Instructions for Integral Ecosystem power supply

Models CLS-XX-INTECO, & CLQ-XX-INTECO



7777 Merrimac Ave
Niles, IL 60714
T 224.333.6033
F 224.757.7557
info@luminii.com
www.luminii.com

REVO.2
12302024

8 / 12

Please read all instructions prior to installation and keep for future reference!

1. PRODUCT TO BE INSTALLED BY A QUALIFIED ELECTRICIAN.
2. PRIOR TO INSTALLATION ENSURE POWER IS OFF AT FUSE BOX TO PREVENT ELECTRICAL SHOCK.
3. FIXTURE SHOULD BE INSTALLED BY TWO PEOPLE.

1

canopy detail

Note: More than one person is recommended for this installation.

- 1.1** Slide the standoff mounting set screw brackets, 1" from each end and on center (over 72" only). Then secure standoffs.
- 1.2** Determine length from the canopy to the standoff hub. Then mark this location to the ceiling. Make addition marks if using more than one standoffs. Use canopy detail to slighting off center standoff hub.

2

2.2

- 2.1** On the marked locations, make a hole using a 13/64" drill bit.
- 2.2** Insert the anchor into the hole and push completely in.
- 2.3** Insert wood screw through cap & washer and then tighten to secure into the anchors.

3

general wiring diagram

- 3.1** Insert the power wires into the crossbar assembly, backplate, and hex nut.
- 3.2** Refer to the wiring diagram and make all necessary connections from the power wires to the canopy driver wires.
- 3.3** Connect to ground in accordance with local electrical codes.

4

- 4.1** Align the crossbar to the junction box holes and secure using the provided two #8-32 screw.
- 4.2** Slide the backplate up to the crossbar and secure by tightening the hex nut into the crossbar.

Clareo S & Clareo Q - Installation Instructions for Integral Ecosystem power supply

Models CLS-XX-INTECO, & CLQ-XX-INTECO

Please read all instructions prior to installation and keep for future reference!

1. PRODUCT TO BE INSTALLED BY A QUALIFIED ELECTRICIAN.
2. PRIOR TO INSTALLATION ENSURE POWER IS OFF AT FUSE BOX TO PREVENT ELECTRICAL SHOCK.
3. FIXTURE SHOULD BE INSTALLED BY TWO PEOPLE.



REVO.2
12302024

9 / 12



7777 Merrimac Ave
Niles, IL 60714
T 224.333.6033
F 224.757.7557
info@luminii.com
www.luminii.com

5 Prior to installing fixture to power, coaxial cable must be prepared to go inside crossbar assembly. If this step is skipped coaxial cable metal sleeve will tangle up.

1. While holding the coaxial cable end
2. Pull back about an 1-1/2" of the metal sleeve to expose the wires.
3. Cut off 1-1/2" of the wires.
4. Pull forward the metal sleeve and twist to make a firmer single wire

6

6.1 While one person is holding the fixture, the other person can feed the coaxial cable end through the clear o-rings & strain relief on canopy.

6.2 Peel back the coaxial cable to expose the low voltage wires. Refer to the wiring diagram and make all necessary connections from the coaxial cable to the canopy wires.

7

7.1 Insert the low voltage wire nut connections into the canopy. Align the canopy to the backplate and securing using the 4 Phillip screws

8

8.1 Untangle each aircraft cable and insert into the threaded post until the cable stopper.

8.2 Push on the standoff hub tab and feed the aircraft cable into the standoff hub until necessary. Release tab to secure in place. For the aircraft cable closest to the coaxial cable slide through the o-rings on the coaxial cable first.

8.3 Remove the clear protective film from the face of the lens.

Clareo S & Clareo Q - Installation Instructions for Integral Ecosystem power supply

Models CLS-XX-INTECO, & CLQ-XX-INTECO

Please read all instructions prior to installation and keep for future reference!

1. PRODUCT TO BE INSTALLED BY A QUALIFIED ELECTRICIAN.
2. PRIOR TO INSTALLATION ENSURE POWER IS OFF AT FUSE BOX TO PREVENT ELECTRICAL SHOCK.
3. FIXTURE SHOULD BE INSTALLED BY TWO PEOPLE.



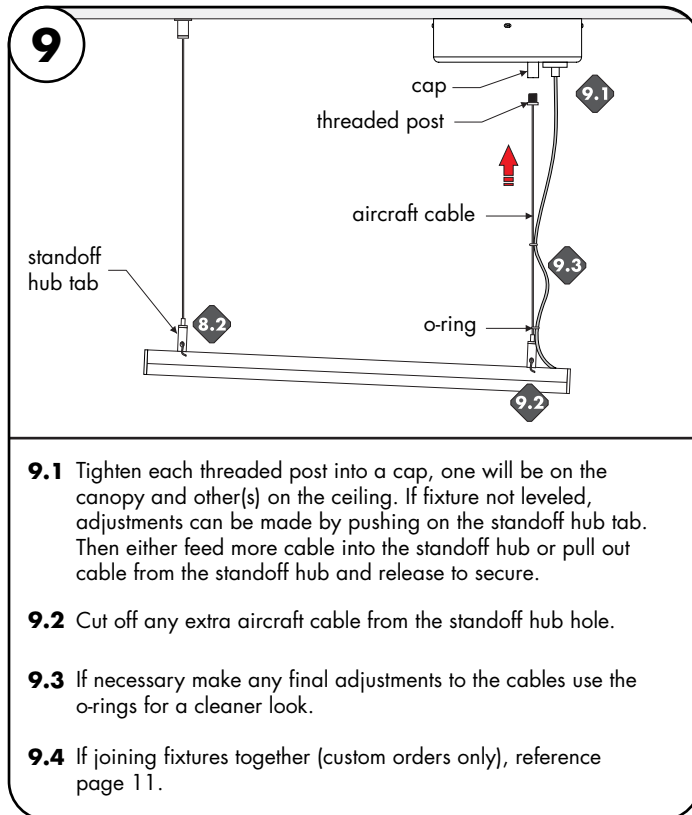
luminii

7777 Merrimac Ave
Niles, IL 60714
T 224.333.6033
F 224.757.7557
info@luminii.com
www.luminii.com

REVO.2

12302024

10 / 12



Clareo S & Clareo Q - How to join suspension sections together (custom orders only)

Models CLS-XX-XX, & CLQ-XX-XX

Please read all instructions prior to installation and keep for future reference!

1. PRODUCT TO BE INSTALLED BY A QUALIFIED ELECTRICIAN.
2. PRIOR TO INSTALLATION ENSURE POWER IS OFF AT FUSE BOX TO PREVENT ELECTRICAL SHOCK.
3. FIXTURE SHOULD BE INSTALLED BY TWO PEOPLE.

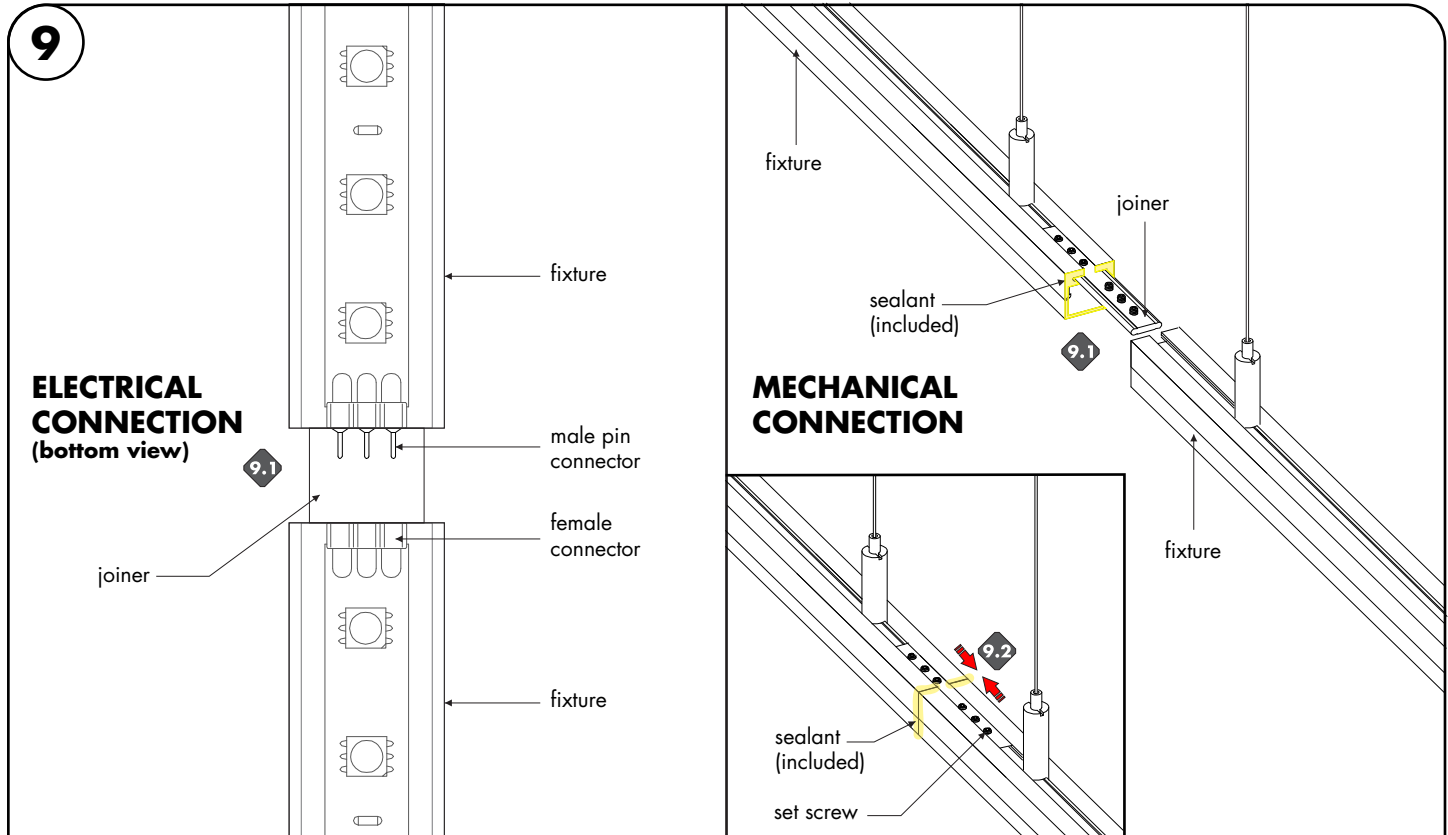


REVO.2
12302024

11 / 12



7777 Merrimac Ave
Niles, IL 60714
T 224.333.6033
F 224.757.7557
info@luminii.com
www.luminii.com



Caution: Step below is only for custom lengths. Do not try to join standard fixtures to each other, which would void the factory warranty.

Note: Prior to installing fixtures, reference fixture labels for guidance. On which fixture ends will connect to each other.

9.1 Once all sections are installed & set to the proper hanging height from the ceiling. The 2 section must be connected together. Add a small amount of sealant (included) to one of the fixture ends. Then follow one of the connections below.

Electrical & Mechanical connection - Carefully slide the fixture with the joiner into the other fixture, until the LED connectors meet. Then slowly slide until the male and female connectors secure into one another. Followed by tightening the set screws on the joiner.

Mechanical connection - Carefully slide the fixture with the joiner completely into the other fixture. Followed by tightening the set screws on the joiner.

9.2 Wipe off any excess sealant.



7777 Merrimac Ave
Niles, IL 60714
T 224.333.6033
F 224.757.7557
info@luminii.com
www.luminii.com

REVO.2
12302024

12 / 12

Please read all instructions prior to installation and keep for future reference!

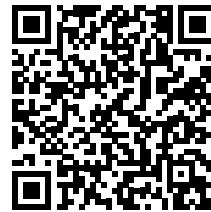
1. PRODUCT TO BE INSTALLED BY A QUALIFIED ELECTRICIAN.
2. PRIOR TO INSTALLATION ENSURE POWER IS OFF AT FUSE BOX TO PREVENT ELECTRICAL SHOCK.
3. USE ONLY WITH CLASS 2 POWER UNIT. UTILISER SEULEMENT AVEC LA CLASSE 2 UNITE D'ALIMENTATION ELECTRIQUE.
4. FIXTURE SHOULD BE INSTALLED BY TWO PEOPLE.

Power Supply Wiring Diagram

Note: Prior to installation all 24VDC wires must be present near fixture. Refer to the power supply installation instructions for additional information.



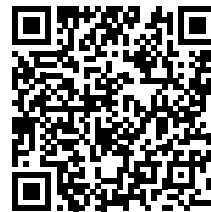
Static White
Wiring Diagram PDF



RGB/RGBW
Wiring Diagram PDF



Warm Dim
Wiring Diagram PDF



Pixel
Wiring Diagram PDF



Tunable White
Wiring Diagram PDF