

# Bosca Wet - Installation Instructions

Models BOSW-XX-C-XX

**Please read all instructions prior to installation and keep for future reference!**

1. PRODUCT TO BE INSTALLED BY A QUALIFIED ELECTRICIAN.
2. USE ONLY WITH CLASS 2 POWER UNIT.
3. 24 VOLTS DC.
4. SURFACE MOUNT ONLY.
5. SUITABLE FOR WET LOCATIONS, MUST USE APPROPRIATE WEATHERPROOF RATED WIRE CONNECTORS.
6. SUITABLE FOR INSTALLATION WITHIN THE CLOSET STORAGE SPACE.
7. INHERENTLY PROTECTED.
8. FIXTURE SHOULD BE INSTALLED BY TWO PEOPLE.

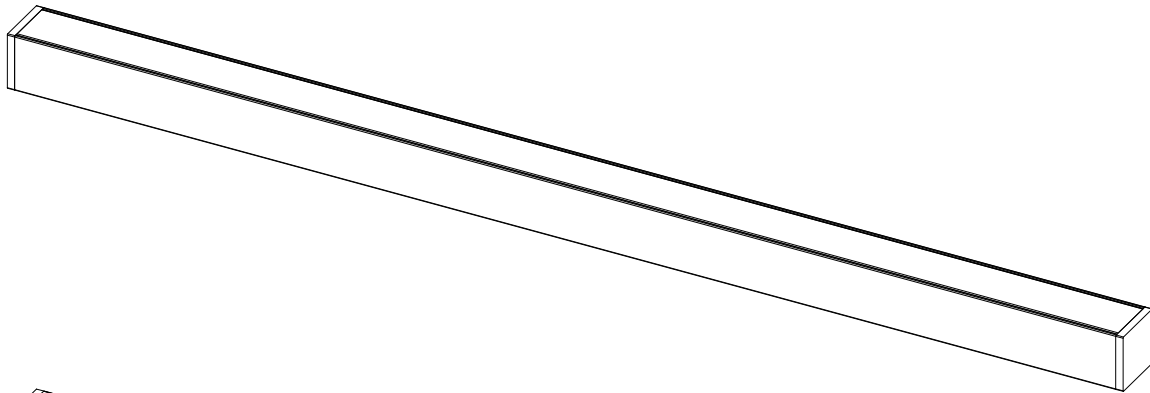


REVO.1  
02262025

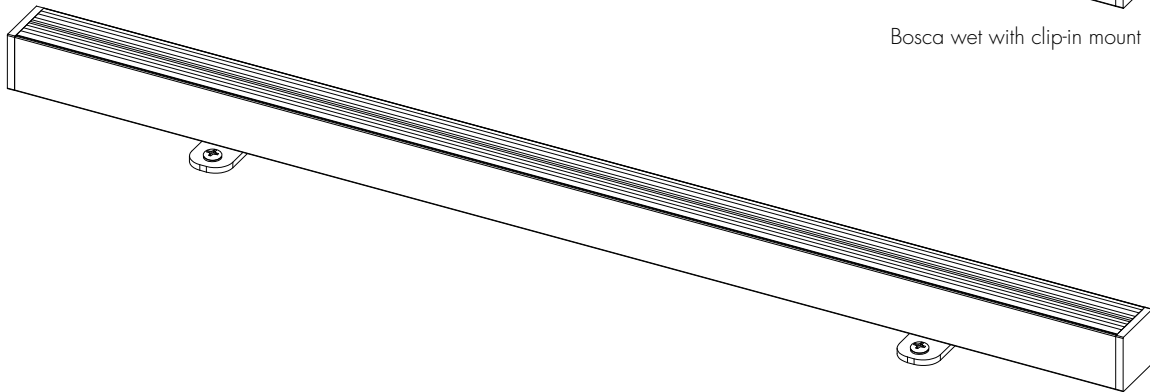
1 / 7



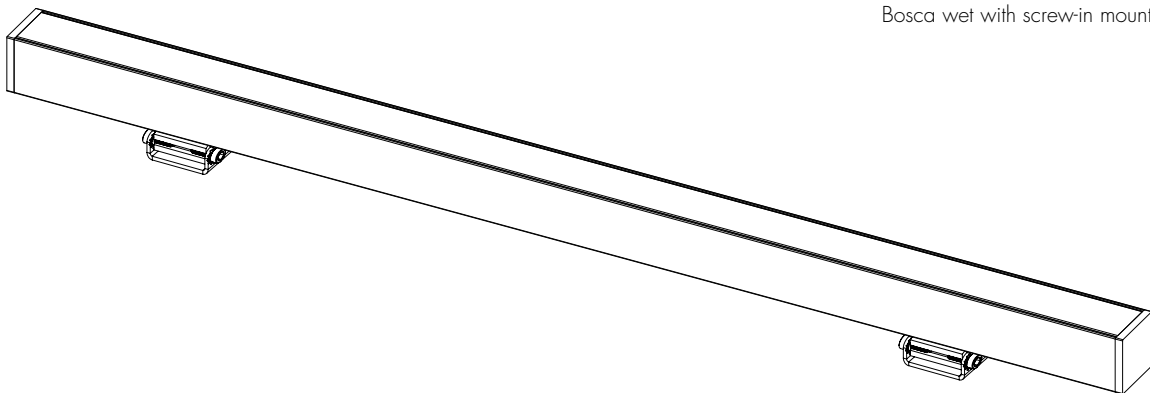
7777 Merrimac Ave  
Niles, IL 60714  
T 224.333.6033  
F 224.757.7557  
info@luminii.com  
www.luminii.com



Bosca wet with clip-in mount



Bosca wet with screw-in mount



Bosca wet with adjustable hinge mounting

# Bosca Wet - Installation Instructions

Models BOSW-XX-C-XX



7777 Merrimac Ave  
Niles, IL 60714  
T 224.333.6033  
F 224.757.7557  
info@luminii.com  
www.luminii.com

REVO.1  
02262025

2 / 7

Please read all instructions prior to installation and keep for future reference!

1. PRODUCT TO BE INSTALLED BY A QUALIFIED ELECTRICIAN.
2. USE ONLY WITH CLASS 2 POWER UNIT.
3. 24 VOLTS DC.
4. SURFACE MOUNT ONLY.
5. SUITABLE FOR WET LOCATIONS, MUST USE APPROPRIATE WEATHERPROOF RATED WIRE CONNECTORS.
6. SUITABLE FOR INSTALLATION WITHIN THE CLOSET STORAGE SPACE.
7. INHERENTLY PROTECTED.
8. FIXTURE SHOULD BE INSTALLED BY TWO PEOPLE.

## Clip-in Installation

1

**Note:** Prior to installation all 24VDC wires must be present near fixture. Refer to the power supply installation instruction for additional information.

**Note:** More than one person is recommended for this installation.

**1.1** Carefully remove the mounting channel from the back of the fixture. Mounting channel is 1/2" shorter per wire lead /connector for easy wire management.

2

**2.1** Determine the location of the fixture. Then secure the mounting channel to the surface with the provided mounting screws. When installing the mounting channel take into consideration the 1/2" shorter per wire lead/connector.

**2.2** Install mounting screws every 6 inches to the center of the mounting channel.

3

**3.1** Follow connector dimensions below and drill hole through surface. Insert wire lead/connector through surface & snap fixture into the mounting channel to secure in place.

**3.2** Follow one of the two options to connect the fixture to the power supply.

**Option 1** - Secure female quick connect to male quick connect. Feed male quick connect wire through conduit to power supply.

**Option 2** - Feed wire whip to the power supply.

4

**4.1** Connect +24 VDC red wire from the fixture to the power supply +24 VDC red wire with a wire nut. Connect -24VDC black wire from the fixture to power supply -24VDC black wire with a wire nut.

# Bosca Wet - Installation Instructions

Models BOSW-XX-C-XX



7777 Merrimac Ave  
Niles, IL 60714  
T 224.333.6033  
F 224.757.7557  
info@luminii.com  
www.luminii.com

REVO.1  
02262025

3 / 7

Please read all instructions prior to installation and keep for future reference!

1. PRODUCT TO BE INSTALLED BY A QUALIFIED ELECTRICIAN.
2. USE ONLY WITH CLASS 2 POWER UNIT.
3. 24 VOLTS DC.
4. SURFACE MOUNT ONLY.
5. SUITABLE FOR WET LOCATIONS, MUST USE APPROPRIATE WEATHERPROOF RATED WIRE CONNECTORS.
6. SUITABLE FOR INSTALLATION WITHIN THE CLOSET STORAGE SPACE.
7. INHERENTLY PROTECTED.
8. FIXTURE SHOULD BE INSTALLED BY TWO PEOPLE.

**1**

set screw

mounting bracket

fixture

1.1

1.1

completely installed

**1.1** Install brackets 4" from each end and 30" in between the fixtures. Line up each mounting bracket to the back on the fixture & insert the edge of the clip into the fixture. Then rotate and push clip in until you feel a click. Followed by tightening the set screw using the Allen wrench (provided). Repeat for the remaining brackets.

**2**

2.1

fixture

#6 screw

2.1

fixture

#6 screw

**Note:** : Prior to installation all 24VDC wires must be present near fixture. Refer to the power supply installation instruction for additional information.  
**Note:** More than one person is recommended for this installation.

**2.1** Determine the location of the fixture. Then secure the fixture to the surface using the provided mounting screws.

**3** **3.1** Follow one of the two options to connect the fixture to the power supply

**Option 1** - Secure female quick connect to male quick connect. Feed male quick connect wire through conduit to power supply.

female quick connect

male quick connect

to power supply

**OR**

**Option 2** - Feed wire whip to the power supply.

wires from fixture

**4** **4.1** Connect +24 VDC red wire from the fixture to the power supply +24 VDC red wire with a wire nut. Connect -24VDC black wire from the fixture to power supply -24VDC black wire with a wire nut.

class II power supply

120 VAC

24 VDC

to fixture

+24 VDC RED

-24 VDC BLACK

+24 VDC RED

-24 VDC BLACK

# Bosca Wet - Installation Instructions

Models BOSW-XX-C-XX



7777 Merrimac Ave  
Niles, IL 60714  
T 224.333.6033  
F 224.757.7557  
info@luminii.com  
www.luminii.com

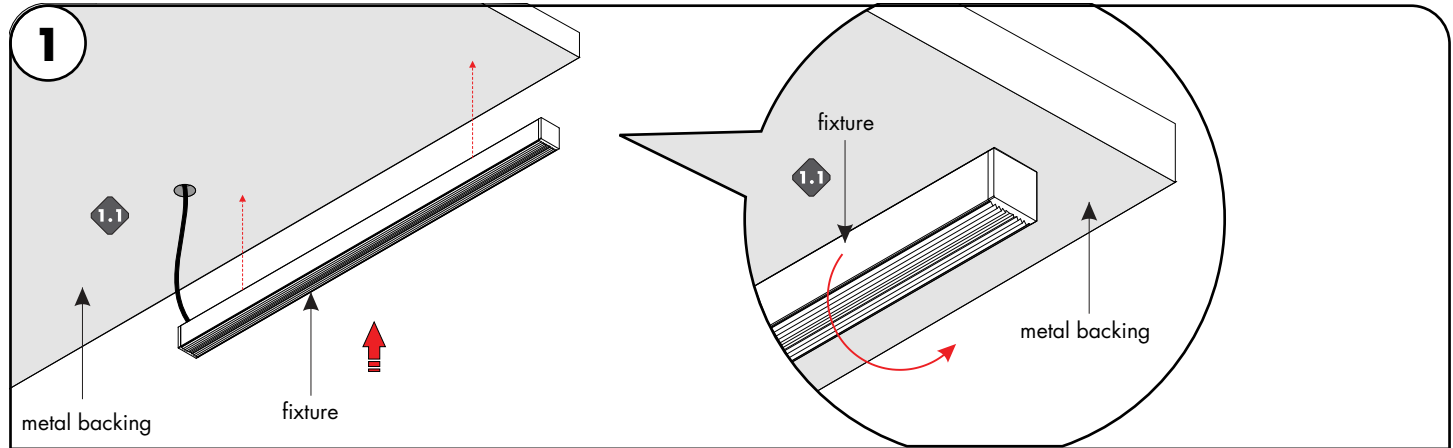
REVO.1  
02262025

4 / 7

Please read all instructions prior to installation and keep for future reference!

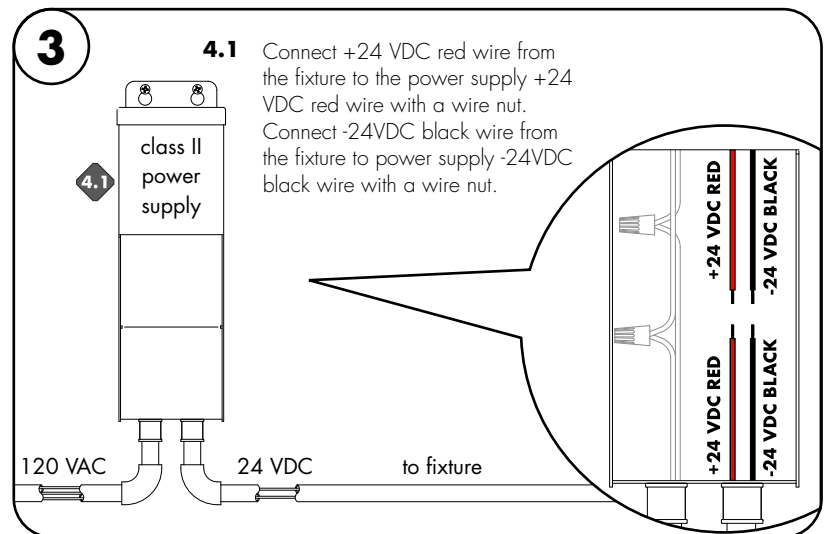
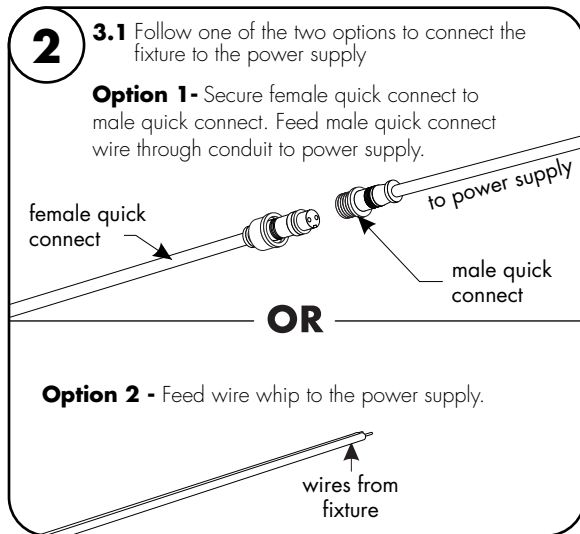
1. PRODUCT TO BE INSTALLED BY A QUALIFIED ELECTRICIAN.
2. USE ONLY WITH CLASS 2 POWER UNIT.
3. 24 VOLTS DC.
4. SURFACE MOUNT ONLY.
5. SUITABLE FOR WET LOCATIONS, MUST USE APPROPRIATE WEATHERPROOF RATED WIRE CONNECTORS.
6. SUITABLE FOR INSTALLATION WITHIN THE CLOSET STORAGE SPACE.
7. INHERENTLY PROTECTED.
8. FIXTURE SHOULD BE INSTALLED BY TWO PEOPLE.

## Magnetic Installation



**Note:** Prior to installation all 24VDC wires must be present near fixture. Refer to the power supply installation instruction for additional information.  
**Note:** More than one person is recommended for this installation.

**1.1** Determine the location of the fixture. Must be made of steel or a ferrous metal. Clean the surface area thoroughly from any debris. Snap the fixture onto the metal surface. If necessary fixture can easily be removed by rotating off the surface and repositioning correctly.



# Bosca Wet - Installation Instructions

Models BOSW-XX-C-XX



7777 Merrimac Ave  
Niles, IL 60714  
T 224.333.6033  
F 224.757.7557  
info@luminii.com  
www.luminii.com

REVO.1  
02262025

5 / 7

Please read all instructions prior to installation and keep for future reference!

1. PRODUCT TO BE INSTALLED BY A QUALIFIED ELECTRICIAN.
2. USE ONLY WITH CLASS 2 POWER UNIT.
3. 24 VOLTS DC.
4. SURFACE MOUNT ONLY.
5. SUITABLE FOR WET LOCATIONS, MUST USE APPROPRIATE WEATHERPROOF RATED WIRE CONNECTORS.
6. SUITABLE FOR INSTALLATION WITHIN THE CLOSET STORAGE SPACE.
7. INHERENTLY PROTECTED.
8. FIXTURE SHOULD BE INSTALLED BY TWO PEOPLE.

## Adjustable Hinge Installation

**1**

fixture  
mounting bracket  
mounting hole  
screw  
mounting bracket

**1.1** Slightly loosen both screws on the sides of the hinge bracket. Rotate the fixture to expose mounting hole.

**2**

**Note:** Prior to installation all 24VDC wires must be present near fixture. Refer to the power supply installation instruction for additional information.  
**Note:** More than one person is recommended for this installation.

**2.1** Determine the location of the fixture. Then secure the fixture to the surface using the provided mounting screws.

**2.2** Rotate the fixture to the desired angle then tighten the side screws to secure.

**3**

**3.1** Follow one of the two options to connect the fixture to the power supply

**Option 1** - Secure female quick connect to male quick connect. Feed male quick connect wire through conduit to power supply.

female quick connect  
male quick connect  
to power supply

**OR**

**Option 2** - Feed wire whip to the power supply.

wires from fixture

**4**

**4.1** Connect +24 VDC red wire from the fixture to the power supply +24 VDC red wire with a wire nut. Connect -24VDC black wire from the fixture to power supply -24VDC black wire with a wire nut.

class II power supply  
120 VAC  
24 VDC  
to fixture  
+24 VDC RED  
-24 VDC BLACK  
+24 VDC RED  
-24 VDC BLACK

# Bosca Wet - Installation Instructions

Models BOSW-XX-C-XX



7777 Merrimac Ave  
Niles, IL 60714  
T 224.333.6033  
F 224.757.7557  
info@luminii.com  
www.luminii.com

REVO.1  
02262025

6 / 7

**Please read all instructions prior to installation and keep for future reference!**

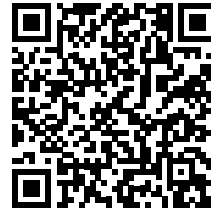
1. PRODUCT TO BE INSTALLED BY A QUALIFIED ELECTRICIAN.
2. USE ONLY WITH CLASS 2 POWER UNIT.
3. 24 VOLTS DC.
4. SURFACE MOUNT ONLY.
5. SUITABLE FOR WET LOCATIONS, MUST USE APPROPRIATE WEATHERPROOF RATED WIRE CONNECTORS.
6. SUITABLE FOR INSTALLATION WITHIN THE CLOSET STORAGE SPACE.
7. INHERENTLY PROTECTED.
8. FIXTURE SHOULD BE INSTALLED BY TWO PEOPLE.

## Power Supply Wiring Diagram

**Note:** Prior to installation all 24VDC wires must be present near fixture. Refer to the power supply installation instructions for additional information.



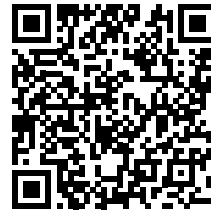
Static White  
Wiring Diagram PDF



RGB/RGBW  
Wiring Diagram PDF



Warm Dim  
Wiring Diagram PDF



Pixel  
Wiring Diagram PDF



Tunable White  
Wiring Diagram PDF

# Bosca Wet - Installation Instructions

Models BOSW-XX-C-XX



7777 Merrimac Ave  
Niles, IL 60714  
T 224.333.6033  
F 224.757.7557  
info@luminii.com  
www.luminii.com

Please read all instructions prior to installation and keep for future reference!

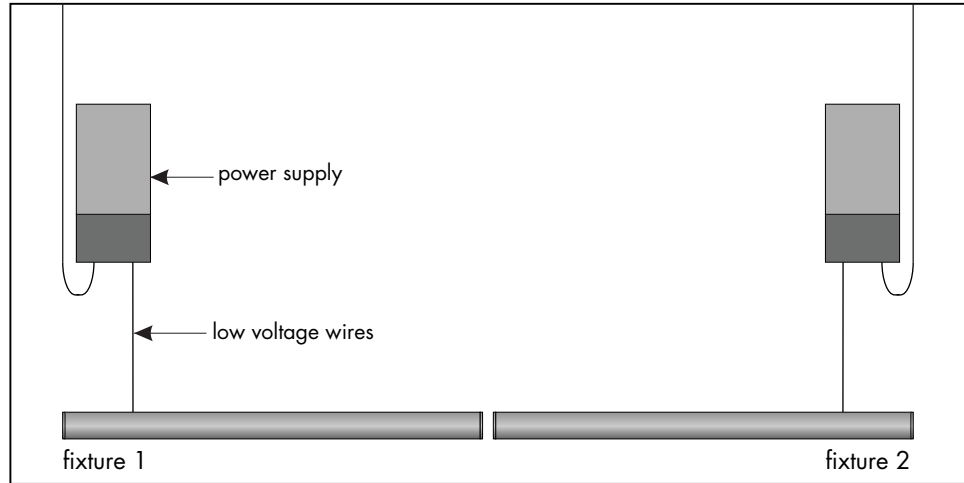
1. PRODUCT TO BE INSTALLED BY A QUALIFIED ELECTRICIAN.
2. USE ONLY WITH CLASS 2 POWER UNIT.
3. 24 VOLTS DC.
4. SURFACE MOUNT ONLY.
5. SUITABLE FOR WET LOCATIONS, MUST USE APPROPRIATE WEATHERPROOF RATED WIRE CONNECTORS.
6. SUITABLE FOR INSTALLATION WITHIN THE CLOSET STORAGE SPACE.
7. INHERENTLY PROTECTED.
8. FIXTURE SHOULD BE INSTALLED BY TWO PEOPLE.

REVO.1  
02262025

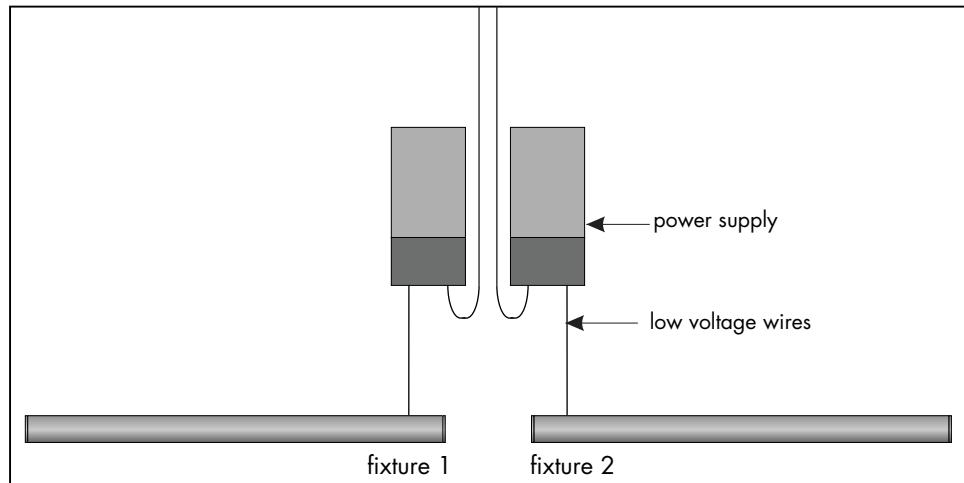
7 / 7

## Multiple Power Feed Layout Guide

power supplies at the end of the run



power supplies in the middle of the run



consecutive layout, NOT RECOMMENDED

