

Bosca - Installation Instructions

Models BOS-XX-C-XX, & BOS-XX-S-XX

Please read all instructions prior to installation and keep for future reference!

1. PRODUCT TO BE INSTALLED BY A QUALIFIED ELECTRICIAN.
2. USE ONLY WITH CLASS 2 POWER UNIT.
3. 24 VOLTS DC.
4. SUITABLE FOR DAMP LOCATIONS.
5. SURFACE MOUNT ONLY
6. SUITABLE FOR INSTALLATION WITHIN THE CLOSET STORAGE SPACE.
7. INHERENTLY PROTECTED
8. FIXTURE SHOULD BE INSTALLED BY TWO PEOPLE.

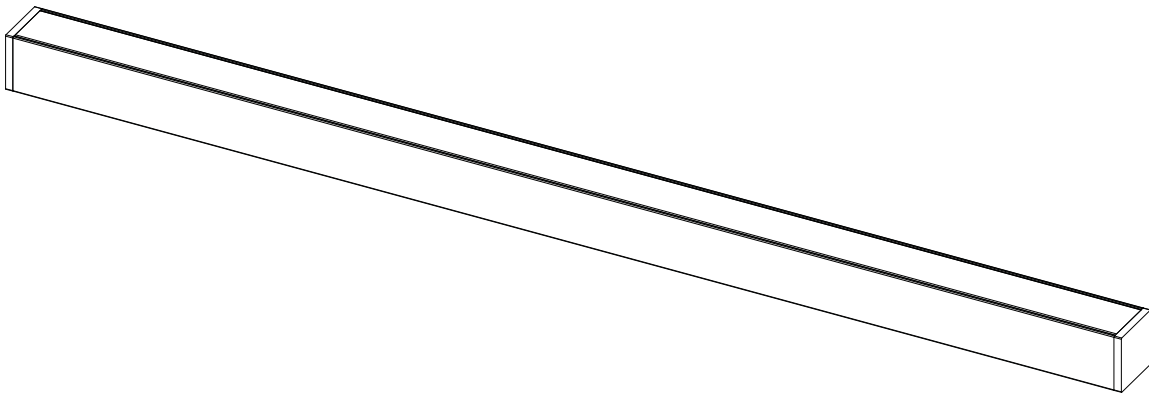


REVO.8
12302024

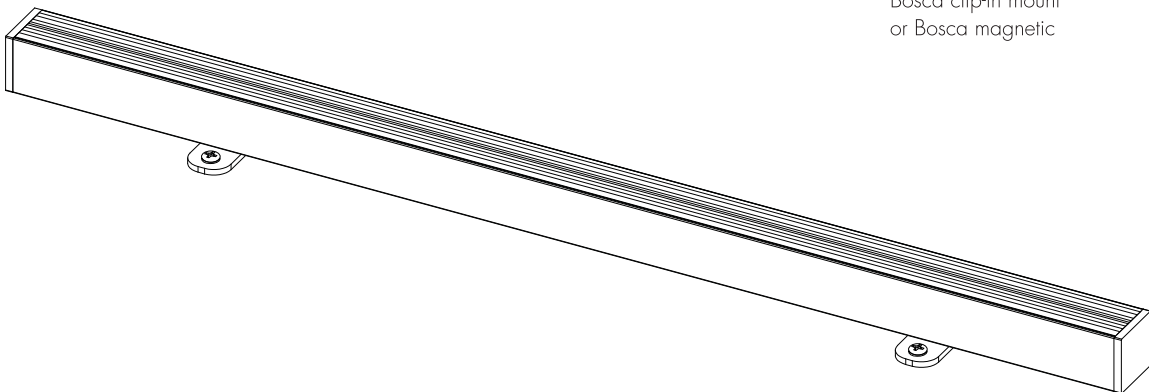
1 / 7



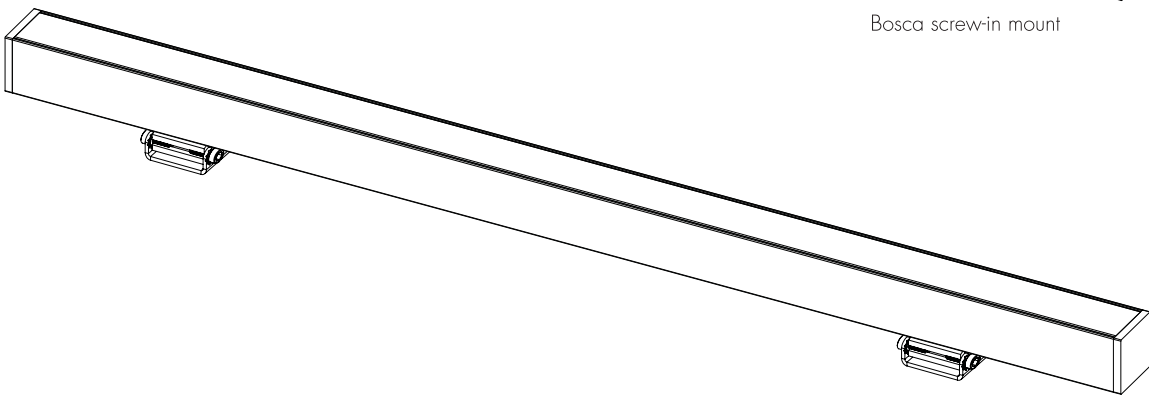
7777 Merrimac Ave
Niles, IL 60714
T 224.333.6033
F 224.757.7557
info@luminii.com
www.luminii.com



Bosca clip-in mount
or Bosca magnetic



Bosca screw-in mount



Bosca adjustable hinge mounting

Bosca - Installation Instructions

Models BOS-XX-C-XX, & BOS-XX-S-XX



7777 Merrimac Ave
Niles, IL 60714
T 224.333.6033
F 224.757.7557
info@luminii.com
www.luminii.com

REVO.8
12302024

2 / 7

Please read all instructions prior to installation and keep for future reference!

1. PRODUCT TO BE INSTALLED BY A QUALIFIED ELECTRICIAN.
2. USE ONLY WITH CLASS 2 POWER UNIT.
3. 24 VOLTS DC.
4. SUITABLE FOR DAMP LOCATIONS.
5. SURFACE MOUNT ONLY
6. SUITABLE FOR INSTALLATION WITHIN THE CLOSET STORAGE SPACE.
7. INHERENTLY PROTECTED
8. FIXTURE SHOULD BE INSTALLED BY TWO PEOPLE.

Clip-in Installation

1

Note: Refer to the power supply installation instruction for additional information.
Note: More than one person is recommended for this installation.

1.1 Carefully remove the mounting channel from the back of the fixture. Mounting channel is 1/2" shorter than the fixture for wire management.

2

2.1 Determine the location of the fixture. Then secure the mounting channel to the surface with the provided mounting screws. When installing the mounting channel take into consideration the 1/2" shorter per wire lead/connector.

2.2 Install mounting screws every 6 inches to the center of the mounting channel.

3

3.1 Follow connector dimensions below and drill hole through surface. Insert wire lead/connector through surface & snap fixture into the mounting channel to secure in place.

3.2 Follow one of the two options to connect the fixture to the power supply.

Option 1 - Secure female quick connect to male quick connect. Feed male quick connect wire through conduit to power supply.

OR

Option 2 - Feed wire whip to the power supply.

Bosca - Installation Instructions

Models BOS-XX-C-XX, & BOS-XX-S-XX



7777 Merrimac Ave
Niles, IL 60714
T 224.333.6033
F 224.757.7557
info@luminii.com
www.luminii.com

REVO.8
12302024

3 / 7

Please read all instructions prior to installation and keep for future reference!

1. PRODUCT TO BE INSTALLED BY A QUALIFIED ELECTRICIAN.
2. USE ONLY WITH CLASS 2 POWER UNIT.
3. 24 VOLTS DC.
4. SUITABLE FOR DAMP LOCATIONS.
5. SURFACE MOUNT ONLY.
6. SUITABLE FOR INSTALLATION WITHIN THE CLOSET STORAGE SPACE.
7. INHERENTLY PROTECTED.
8. FIXTURE SHOULD BE INSTALLED BY TWO PEOPLE.

Screw-in Installation

1

set screw
mounting bracket
fixture
1.1
1.1
1.1
completely installed

1.1 Install brackets 4" from each end and 30" in between the fixtures. Line up each mounting bracket to the back on the fixture & insert the edge of the clip into the fixture. Then rotate and push clip in until you feel a click. Followed by tightening the set screw using the Allen wrench (provided). Repeat for the remaining brackets.

2

2.1
fixture
#6 screw

Note: Prior to installation all 24VDC wires must be present near fixture. Refer to the power supply installation instruction for additional information.

Note: More than one person is recommended for this installation.

- 2.1** Determine the location of the fixture. Then secure the fixture to the surface using the provided mounting screws.

3

3.1 Follow one of the two options to connect the fixture to the power supply.

Option 1- Secure female quick connect to male quick connect. Feed male quick connect wire through conduit to power supply.

wires from fixture
female quick connect
male quick connect
to power supply

OR

Option 2- Feed wire whip to the power supply.

wires from fixture

Bosca - Installation Instructions

Models BOS-XX-C-XX, & BOS-XX-S-XX



7777 Merrimac Ave
Niles, IL 60714
T 224.333.6033
F 224.757.7557
info@luminii.com
www.luminii.com

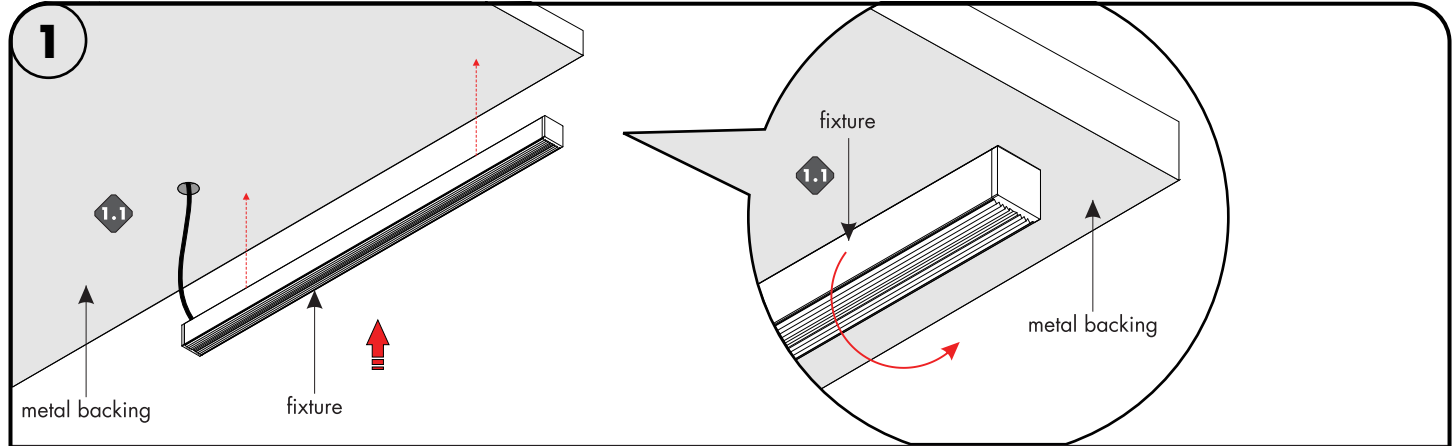
REVO.8
12302024

4 / 7

Please read all instructions prior to installation and keep for future reference!

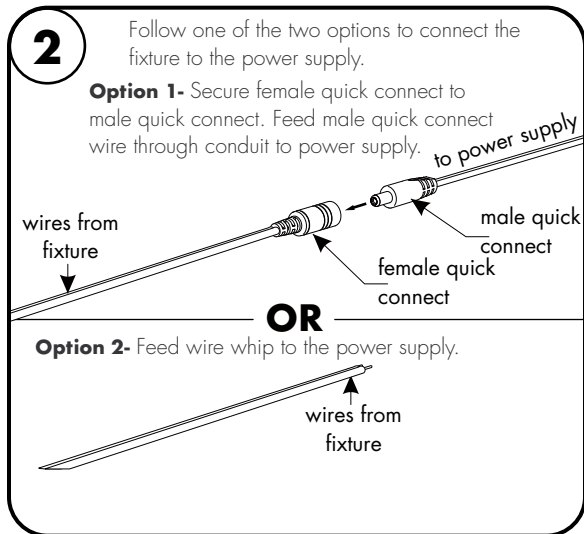
1. PRODUCT TO BE INSTALLED BY A QUALIFIED ELECTRICIAN.
2. USE ONLY WITH CLASS 2 POWER UNIT.
3. 24 VOLTS DC.
4. SUITABLE FOR DAMP LOCATIONS.
5. SURFACE MOUNT ONLY
6. SUITABLE FOR INSTALLATION WITHIN THE CLOSET STORAGE SPACE.
7. INHERENTLY PROTECTED
8. FIXTURE SHOULD BE INSTALLED BY TWO PEOPLE.

Magnetic Installation



Note: Prior to installation all 24VDC wires must be present near fixture. Refer to the power supply installation instruction for additional information.
Note: More than one person is recommended for this installation.

1.1 Determine the location of the fixture. Must be made of steel or a ferrous metal. Clean the surface area thoroughly from any debris. Snap the fixture onto the metal surface. If necessary fixture can easily be removed by rotating off the surface and repositioning correctly.



Bosca - Installation Instructions

Models BOS-XX-C-XX, & BOS-XX-S-XX

Please read all instructions prior to installation and keep for future reference!

1. PRODUCT TO BE INSTALLED BY A QUALIFIED ELECTRICIAN.
2. USE ONLY WITH CLASS 2 POWER UNIT.
3. 24 VOLTS DC.
4. SUITABLE FOR DAMP LOCATIONS.
5. SURFACE MOUNT ONLY.
6. SUITABLE FOR INSTALLATION WITHIN THE CLOSET STORAGE SPACE.
7. INHERENTLY PROTECTED.
8. FIXTURE SHOULD BE INSTALLED BY TWO PEOPLE.



REVO.8
12302024

5 / 7



7777 Merrimac Ave
Niles, IL 60714
T 224.333.6033
F 224.757.7557
info@luminii.com
www.luminii.com

Adjustable Hinge Installation

1

1.1 Slightly loosen both screws on the sides of the hinge bracket. Rotate the fixture to expose mounting hole.

2

Note: : Prior to installation all 24VDC wires must be present near fixture. Refer to the power supply installation instruction for additional information.
Note: More than one person is recommended for this installation.

2.1 Install brackets 4" from each end and 30" in between the fixtures. Then secure the fixture to the surface using the provided mounting screws.

2.2 Rotate the fixture to the desired angle then tighten the side screws to secure.

3 Follow one of the two options to connect the fixture to the power supply.

Option 1- Secure female quick connect to male quick connect. Feed male quick connect wire through conduit to power supply.

OR

Option 2- Feed wire whip to the power supply.

Bosca - Installation Instructions

Models BOS-XX-C-XX, & BOS-XX-S-XX

Please read all instructions prior to installation and keep for future reference!

1. PRODUCT TO BE INSTALLED BY A QUALIFIED ELECTRICIAN.
2. USE ONLY WITH CLASS 2 POWER UNIT.
3. 24 VOLTS DC.
4. SUITABLE FOR DAMP LOCATIONS.
5. SURFACE MOUNT ONLY
6. SUITABLE FOR INSTALLATION WITHIN THE CLOSET STORAGE SPACE.
7. INHERENTLY PROTECTED
8. FIXTURE SHOULD BE INSTALLED BY TWO PEOPLE.



REVO.8
12302024

6 / 7



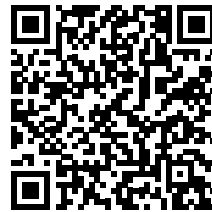
7777 Merrimac Ave
Niles, IL 60714
T 224.333.6033
F 224.757.7557
info@luminii.com
www.luminii.com

Power Supply Wiring Diagram

Note: Prior to installation all 24VDC wires must be present near fixture. Refer to the power supply installation instructions for additional information.



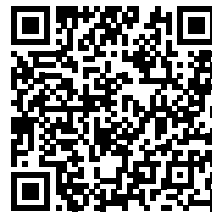
Static White
Wiring Diagram PDF



RGB/RGBW
Wiring Diagram PDF



Warm Dim
Wiring Diagram PDF



Pixel
Wiring Diagram PDF



Tunable White
Wiring Diagram PDF

Bosca - Installation Instructions

Models BOS-XX-C-XX, & BOS-XX-S-XX



7777 Merrimac Ave
Niles, IL 60714
T 224.333.6033
F 224.757.7557
info@luminii.com
www.luminii.com

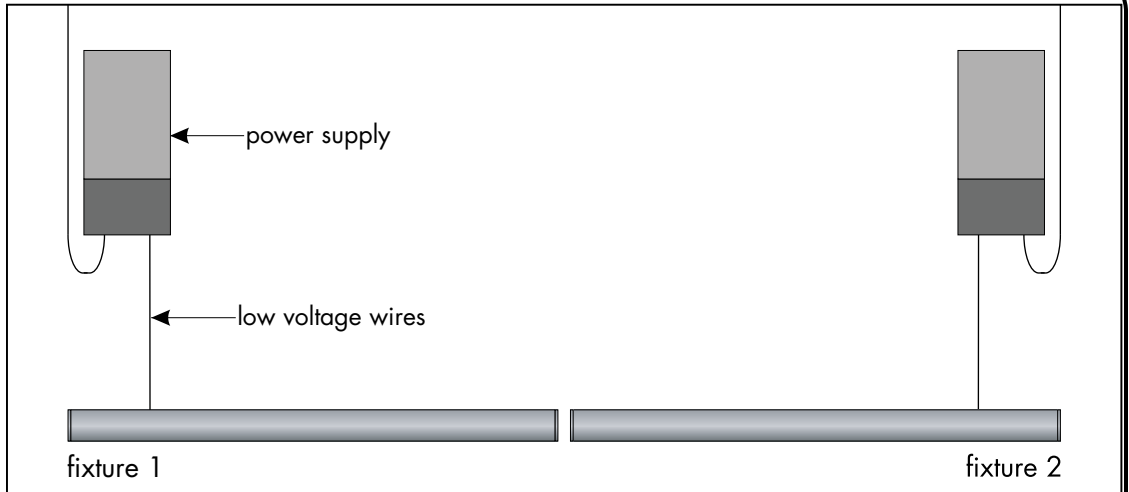
REVO.8
12302024

7 / 7

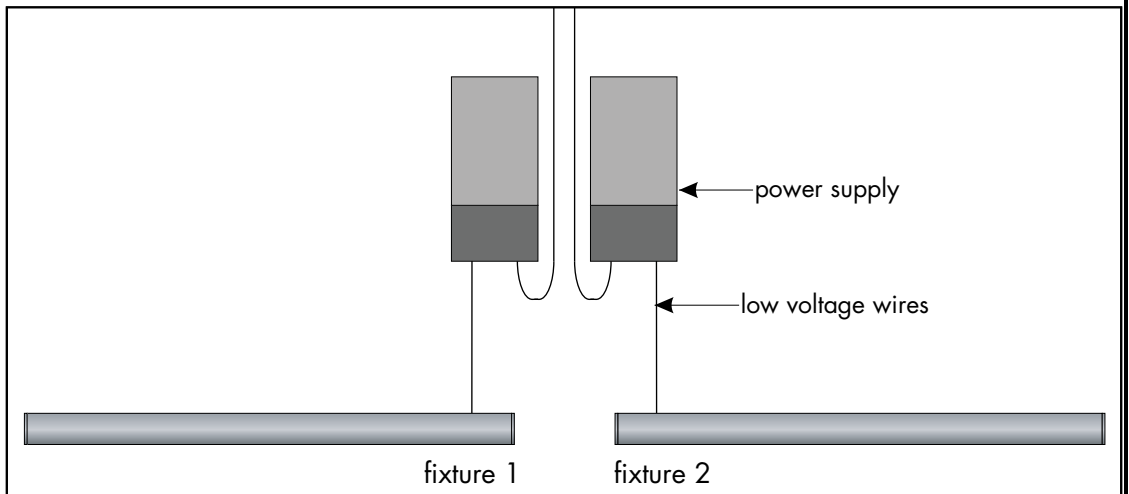
Please read all instructions prior to installation and keep for future reference!

1. PRODUCT TO BE INSTALLED BY A QUALIFIED ELECTRICIAN.
2. USE ONLY WITH CLASS 2 POWER UNIT.
3. 24 VOLTS DC.
4. SUITABLE FOR DAMP LOCATIONS.
5. SURFACE MOUNT ONLY
6. SUITABLE FOR INSTALLATION WITHIN THE CLOSET STORAGE SPACE.
7. INHERENTLY PROTECTED
8. FIXTURE SHOULD BE INSTALLED BY TWO PEOPLE.

power supplies at the end of the run



power supplies in the middle of the run



consecutive layout, NOT RECOMMENDED

