

instruction manual

Atto Eye

Atto Eye is a miniature recessed 95 CRI LED luminaire offering 360° pan coupled with 30° tilt.

Atto - 1.1W, 102lm

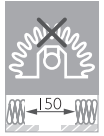
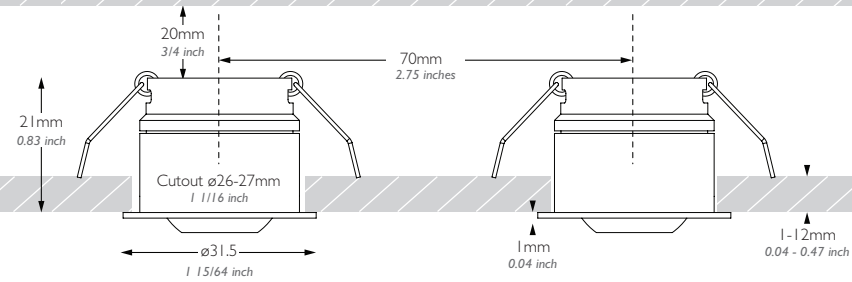


Constant current fixtures. Use with an appropriate 350mA LED driver as recommended by Precision Lighting only.

PRINT TO SCALE TO ENSURE CUT-OUT STENCIL ACCURACY

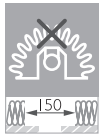
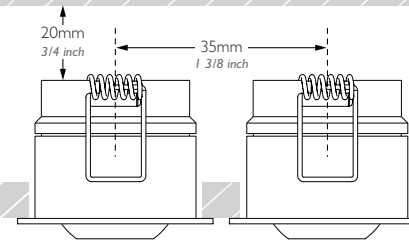
42 RIVERSIDE ROAD | LONDON | SW17 0BA | UK
 t. +44 (0) 20 8947 6616 | sales@precisionlighting.co.uk
 f. +44 (0) 20 8286 6626 | www.precisionlighting.co.uk
 © 2015 Precision Lighting Ltd. We reserve the right to change details of design, materials and finish. Version 1.0

Springs parallel



Voltage Range	Compatible Power Supply	Order Code	Luminaire Quantity
220-240V	Eldoled 350mA CC 20W 0-10V	PSCC-20-350-A-EL	1-12
	Eldoled 350mA CC 20W DALI	PSCC-20-350-D-EL	1-12
110-240V	TCI Minijolly 350mA CC 15W 1-10V	PSCC-15-350-A	1-12
	TCI Minijolly 350mA CC 15W DALI	PSCC-15-350-D-TC	1-12

Springs perpendicular



IMPORTANT SAFETY INFORMATION

READ ALL INSTRUCTIONS BEFORE USING THESE PRODUCTS. SAVE THESE INSTRUCTIONS FOR LATER REFERENCE.

- All systems must be installed by a suitably qualified professional only. Installations must conform to national installation and accident prevention regulations.
- Ensure that the luminaire is switched off at mains supply before installing or removing.
- Do not install these systems in a damp or wet location, IP20 environments only. Do not install any fixture closer than 150mm (6 inches) from any combustible material.
- To reduce the risk of fire and burns, do not install these systems where exposed bare conductors can be shorted or contact any conductive materials. Do not conceal or extend exposed conductors through a building wall.
- Ensure all connections are tight. Bad connections can cause overheating, arcing and a potential fire risk.
- Wire supply connections must be made with U.L or compatible testing agency-approved connectors. Always use appropriate optics and ensure they are fitted securely.
- Install and use only as described in this Precision Lighting manual.
- Use Precision Lighting recommended optics and accessories only.
- Luminaires may be hot, allow to cool before touching.
- Access to serviceable electrical components should be kept available for maintenance purposes.
- Regular cleaning of these products is important. Switch off at mains supply and allow to cool before touching. Clean fittings with a microfibre cloth. Then reconnect the power supply.

WARNING Do not connect or disconnect under load. Ensure driver has not been powered for a minimum of 1 minute before reconnecting the LED module after disconnecting. Do not hot plug. Failure to follow this instruction will lead to serious damage of the LED module and driver and will not be covered by warranty.

NOTE Maintain correct polarity when wiring. Incorrect wiring will cause serious damage and will not be covered by warranty. Must be installed according to SELV regulations. Wire specification: 22 AWG, $\varnothing 0.65\text{mm}$ diameter double insulated teflon wire. Red - Positive Black - Negative

NOTE LED module is not site serviceable. Tampering will cause damage and will not be covered by warranty.

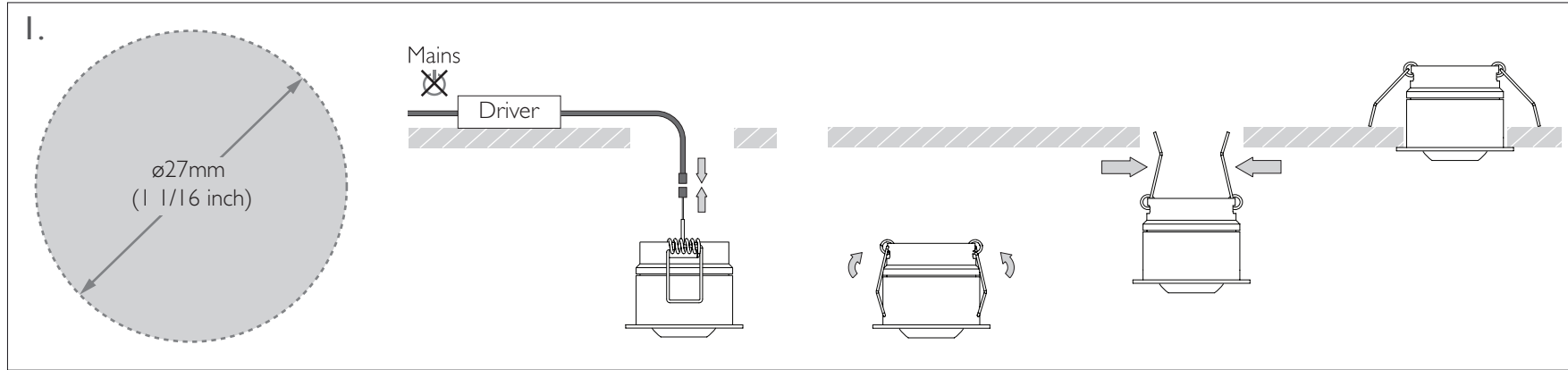
1. Installing the luminaire

WARNING switch off power to mains before installation.

Cut ceiling hole at $\varnothing 27\text{mm}$ (1 & 1/16 inches).

Pull driver side connector through hole and connect to the luminaire side connector: See electrical instructions for wiring schematic.

Using installation springs, install fixture into the ceiling.



2. Changing the optic

WARNING luminaire may be hot.

Remove the fixture from the ceiling. Hold the bezel and pull downwards. Tilt fixture in the direction of one of the installation springs and continue to pull down before straightening the fixture and pulling down.

WARNING caution springs can pinch fingers. Handle with care.

Using the indents, remove the luminaire module by unscrewing anti-clockwise. Remove the fixture snoot by unscrewing anti-clockwise.

Remove the optic with a sharp pull. Do not twist the optic during removal.

Note the detail on the underside of the optic. The 2 side cavities on the optic must be placed over the solder pads of the PCB. Press the optic onto the PCB and hold for 10 seconds.

Slide the snoot back over the optic. Press the optic down while screwing the cap on anti-clockwise.

WARNING Do not overtighten.

Return inner module to fixture housing by screwing in from the back.

