

# ATTO S JACK

16° NARROW BEAM

STATIC WHITE

## OVERVIEW

Atto S Jack is a Constant Current single source LED spotlight that is machined from aerospace grade aluminium 6063-T6 and comes as standard in white, black and brushed aluminium along with three premium brass finishes. It has four site-changeable optics for flexible beam distribution and is fully adjustable with lockable 360° pan and 180° tilt. The narrow beam in our 1.12W 102lm module has a peak intensity of 794cd. A snoot and accessory holder is available separately. The luminaire is compatible with our Minipoint system that enables a plug and play setup where luminaires can be swapped to suit changing lighting requirements.



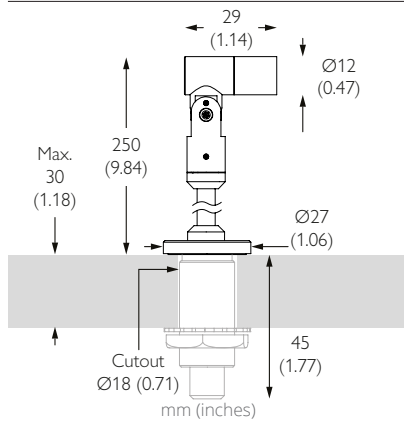
UK PART L	Part L1A / L1B (Dwellings)	EXEMPT
	Part L2A (General)	EXEMPT
	Part L2A (Display)	EXEMPT



## PERFORMANCE

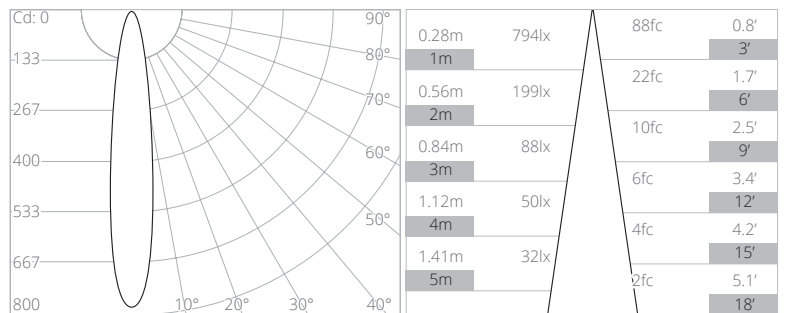
FWHM	16°	Category	IP20
Luminous Flux	94 lm	Material	Machined AL 6063-T6   Machined Brass
Peak Intensity	794 cd	Finishes	Brushed Aluminium   White RAL9010   Matte Black Anodised   Rubbed Bronze*   Polished Brass*   Brushed Brass *
CCT	2700K   3000K	Weight	34g   0.07lb
CRI Min.	95 TYP	Mounting	Minipoints
Drive Current	350 mA	Movement	Pan 360°   Tilt 180°
Nom. Voltage	3.2 V	Lockable	Pan & Tilt
Max. Wattage	1.12 W	Accessories	Separate Holder   Snoots 11mm (0.43") gels
Dimming	0-10V   DALI	TM65   TM66	6.78kgCO2e   2.4
Driver Type	Constant Current   Remote	Lifetime	L90B10 100,000hrs   5 year warranty
Class	SELV   Class III		

## DIMENSIONS



## PHOTOMETRY

CCT	Multiplier
2700K	x1.00
3000K	x1.00



Data at 3000K

## LUMINAIRE ORDER CODE

Model	Finish	CCT	Beam Angle
773	-	-	-
	WH White RAL 9010	2795 2700K 95CRI	16 Narrow
	EBA Black RAL 9005	3095 3000K 95CRI	23 Medium
	AL Brushed Aluminium		45 Flood
	RB Rubbed Bronze		90 Wide Flood
	PB Polished Brass		
	SB Brushed Brass		

## MINIPOINT ORDER CODE

Model	Finish
770-M-A-DC	-
	WH White RAL 9010
	EBA Black RAL 9005
	AL Brushed Aluminium
	RB Rubbed Bronze
	PB Polished Brass
	SB Brushed Brass

Example Code: 773-WH-309516

\*Premium & custom finishes are built to order, subject to an extended lead time & MOQ  
See Drivers, Power Supplies and Accessories sections for further order codes

Example Code: 770-M-A-DC-WH

# ATTO S JACK

23° MEDIUM BEAM

STATIC WHITE

## OVERVIEW

Atto S Jack is a Constant Current single source LED spotlight that is machined from aerospace grade aluminium 6063-T6 and comes as standard in white, black and brushed aluminium along with three premium brass finishes. It has four site-changeable optics for flexible beam distribution and is fully adjustable with lockable 360° pan and 180° tilt. The medium beam in our 1.12W 102lm module has a peak intensity of 359cd. A snoot and accessory holder is available separately. The luminaire is compatible with our Minipoint system that enables a plug and play setup where luminaires can be swapped to suit changing lighting requirements.



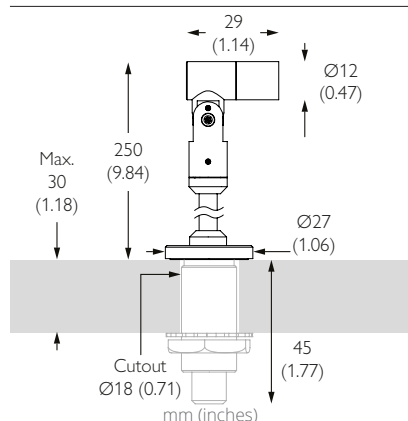
UK PART L	Part L1A / L1B (Dwellings)	EXEMPT
	Part L2A (General)	EXEMPT
	Part L2A (Display)	EXEMPT



## PERFORMANCE

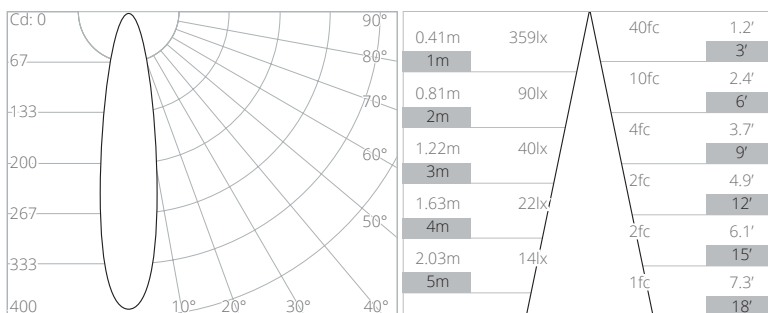
FWHM	23°	Category	IP20
Luminous Flux	92 lm	Material	Machined AL 6063-T6   Machined Brass
Peak Intensity	359 cd	Finishes	Brushed Aluminium   White RAL9010   Matte Black Anodised   Rubbed Bronze*   Polished Brass*   Brushed Brass *
CCT	2700K   3000K	Weight	34g   0.07lb
CRI Min.	95 TYP	Mounting	Minipoints
Drive Current	350 mA	Movement	Pan 360°   Tilt 180°
Nom. Voltage	3.2 V	Lockable	Pan & Tilt
Max. Wattage	1.12 W	Accessories	Separate Holder   Snoots 11mm (0.43") gels
Dimming	0-10V   DALI	TM65   TM66	6.78kgCO2e   2.4
Driver Type	Constant Current   Remote	Lifetime	L90B10 100,000hrs   5 year warranty
Class	SELV   Class III		

## DIMENSIONS



## PHOTOMETRY

CCT	Multiplier
2700K	x1.00
3000K	x1.00



Data at 3000K

## LUMINAIRE ORDER CODE

Model	Finish	CCT	Beam Angle
773	-	-	-
WH	White RAL 9010	2795 2700K 95CRI	16 Narrow
EBA	Black RAL 9005	3095 3000K 95CRI	23 Medium
AL	Brushed Aluminium		45 Flood
RB	Rubbed Bronze		90 Wide Flood
PB	Polished Brass		
SB	Brushed Brass		

## MINIPOINT ORDER CODE

Model	Finish
770-M-A-DC	-
WH	White RAL 9010
EBA	Black RAL 9005
AL	Brushed Aluminium
RB	Rubbed Bronze
PB	Polished Brass
SB	Brushed Brass

Example Code: 773-WH-309523

\*Premium & custom finishes are built to order, subject to an extended lead time & MOQ  
See Drivers, Power Supplies and Accessories sections for further order codes

Example Code: 770-M-A-DC-WH

# ATTO S JACK

45° FLOOD BEAM

STATIC WHITE

## OVERVIEW

Atto S Jack is a Constant Current single source LED spotlight that is machined from aerospace grade aluminium 6063-T6 and comes as standard in white, black and brushed aluminium along with three premium brass finishes. It has four site-changeable optics for flexible beam distribution and is fully adjustable with lockable 360° pan and 180° tilt. The flood beam in our 1.12W 102lm module has a peak intensity of 109cd. A snoot and accessory holder is available separately. The luminaire is compatible with our Minipoint system that enables a plug and play setup where luminaires can be swapped to suit changing lighting requirements.



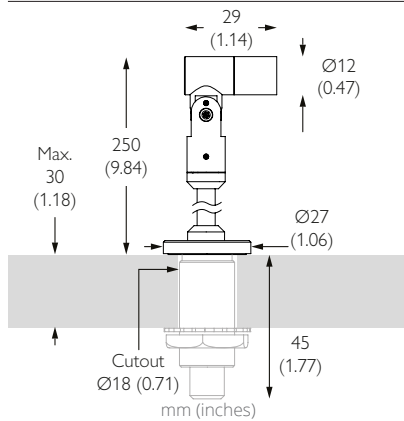
UK PART L	Part L1A / L1B (Dwellings)	EXEMPT
	Part L2A (General)	EXEMPT
	Part L2A (Display)	EXEMPT



## PERFORMANCE

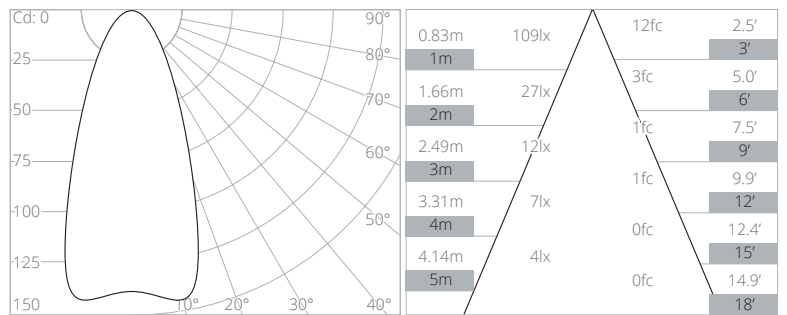
FWHM	45°	Category	IP20
Luminous Flux	93 lm	Material	Machined AL 6063-T6   Machined Brass
Peak Intensity	109 cd	Finishes	Brushed Aluminium   White RAL9010   Matte Black Anodised   Rubbed Bronze*   Polished Brass*   Brushed Brass *
CCT	2700K   3000K	Weight	34g   0.07lb
CRI Min.	95 TYP	Mounting	Minipoints
Drive Current	350 mA	Movement	Pan 360°   Tilt 180°
Nom. Voltage	3.2 V	Lockable	Pan & Tilt
Max. Wattage	1.12 W	Accessories	Separate Holder   Snoots 11mm (0.43") gels
Dimming	0-10V   DALI	TM65   TM66	6.78kgCO2e   2.4
Driver Type	Constant Current   Remote	Lifetime	L90B10 100,000hrs   5 year warranty
Class	SELV   Class III		

## DIMENSIONS



## PHOTOMETRY

CCT	Multiplier
2700K	x1.00
3000K	x1.00



Data at 3000K

## LUMINAIRE ORDER CODE

Model	Finish	CCT	Beam Angle
773	-	-	-
WH	White RAL 9010	2795 2700K 95CRI	16 Narrow
EBA	Black RAL 9005	3095 3000K 95CRI	23 Medium
AL	Brushed Aluminium		45 Flood
RB	Rubbed Bronze		90 Wide Flood
PB	Polished Brass		
SB	Brushed Brass		

## MINIPOINT ORDER CODE

Model	Finish
770-M-A-DC	-
WH	White RAL 9010
EBA	Black RAL 9005
AL	Brushed Aluminium
RB	Rubbed Bronze
PB	Polished Brass
SB	Brushed Brass

Example Code: 773-WH-309545

\*Premium & custom finishes are built to order, subject to an extended lead time & MOQ  
See Drivers, Power Supplies and Accessories sections for further order codes

Example Code: 770-M-A-DC-WH

# ATTO S JACK

90° WIDE FLOOD BEAM

STATIC WHITE

## OVERVIEW

Atto S Jack is a Constant Current single source LED spotlight that is machined from aerospace grade aluminium 6063-T6 and comes as standard in white, black and brushed aluminium along with three premium brass finishes. It has four site-changeable optics for flexible beam distribution and is fully adjustable with lockable 360° pan and 180° tilt. The wide flood beam in our 1.12W 102lm module has a peak intensity of 26cd. A snoot and accessory holder is available separately. The luminaire is compatible with our Minipoint system that enables a plug and play setup where luminaires can be swapped to suit changing lighting requirements.



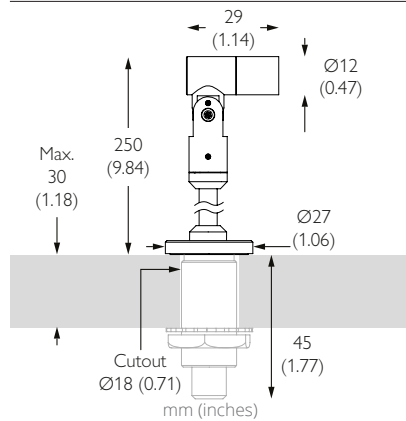
UK PART L	Part L1A / L1B (Dwellings)	EXEMPT
	Part L2A (General)	EXEMPT
	Part L2A (Display)	EXEMPT



## PERFORMANCE

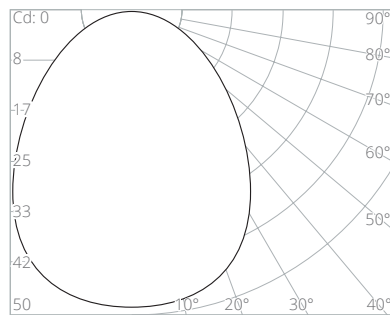
FWHM	90°	Category	IP20
Luminous Flux	69 lm	Material	Machined AL 6063-T6   Machined Brass
Peak Intensity	26 cd	Finishes	Brushed Aluminium   White RAL9010   Matte Black Anodised   Rubbed Bronze*   Polished Brass*   Brushed Brass *
CCT	2700K   3000K	Weight	34g   0.07lb
CRI Min.	95 TYP	Mounting	Minipoints
Drive Current	350 mA	Movement	Pan 360°   Tilt 180°
Nom. Voltage	3.2 V	Lockable	Pan & Tilt
Max. Wattage	1.12 W	Accessories	Separate Holder   Snoots 11mm (0.43") gels
Dimming	0-10V   DALI	TM65   TM66	6.78kgCO2e   2.4
Driver Type	Constant Current   Remote	Lifetime	L90B10 100,000hrs   5 year warranty
Class	SELV   Class III		

## DIMENSIONS



## PHOTOMETRY

CCT	Multiplier
2700K	x1.00
3000K	x1.00



Distance (m)	Beam Diameter (m)	Footcandle (fc)	Distance (ft)
2.00m	26lx	3fc	6.0'
1m			3'
4.00m	7lx	1fc	12.0'
2m			6'
6.00m	3lx	0fc	18.0'
3m			9'
8.00m	2lx	0fc	24.0'
4m			12'
10.00m	1lx	0fc	30.0'
5m			15'
		0fc	36.0'
			18'

Data at 3000K

## LUMINAIRE ORDER CODE

Model	Finish	CCT	Beam Angle
773	-	-	-
	WH White RAL 9010	2795 2700K 95CRI	16 Narrow
	EBA Black RAL 9005	3095 3000K 95CRI	23 Medium
	AL Brushed Aluminium		45 Flood
	RB Rubbed Bronze		90 Wide Flood
	PB Polished Brass		
	SB Brushed Brass		

## MINIPOINT ORDER CODE

Model	Finish
770-M-A-DC	-
	WH White RAL 9010
	EBA Black RAL 9005
	AL Brushed Aluminium
	RB Rubbed Bronze
	PB Polished Brass
	SB Brushed Brass

Example Code: 773-WH-309590

\*Premium & custom finishes are built to order, subject to an extended lead time & MOQ  
See Drivers, Power Supplies and Accessories sections for further order codes

Example Code: 770-M-A-DC-WH

## DRIVERS

### 20W | DIMMING: DALI OR 0-10V

NO. OF LIGHTS PER DRIVER 1 to 12 in series

MIN DIM LEVEL 0.1%

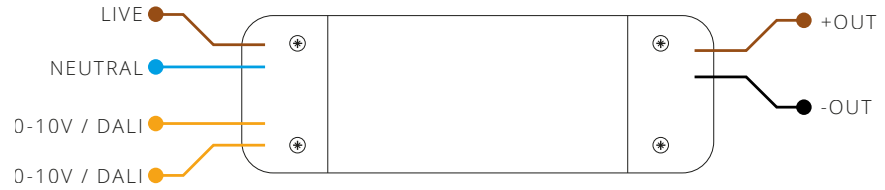
VOLTAGE REGION 230V

FOR NORTH AMERICA No

WATTAGE 20W

SUPPLY TYPE Constant Current

DRIVER LOCATION Remote



DALI CODE PSCC-20-350-D-EL

0-10V CODE PSCC-20-350-A-EL

LENGTH 160mm (6.30") WIDTH 41mm (1.63") HEIGHT 30mm (1.18")



### 30W | DIMMING: DALI OR 0-10V

NO. OF LIGHTS PER DRIVER 1 to 16 in series

MIN DIM LEVEL 0.1%

VOLTAGE REGION 120V

FOR NORTH AMERICA Yes

WATTAGE 30W

SUPPLY TYPE Constant Current

DRIVER LOCATION Remote



DALI CODE USCC-30-350-D-EL-ENC

0-10V CODE USCC-30-350-A-EL-ENC

LENGTH 348mm (13.7") WIDTH 65mm (2.6") HEIGHT 47mm (1.9")

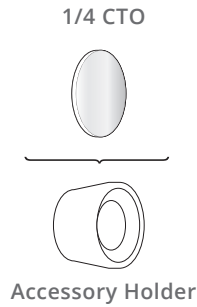


# ATTO SERIES SPOTLIGHT ACCESSORIES

FOR USE WITH ATTO PLUS

## ACCESSORIES

The Atto Plus accessory is required to hold accessories.



### Atto Plus Accessory Holder

*Screw on lens holder*

**HEIGHT** 21mm ( 0.827" )  
**DAIMETER** 18mm ( 0.709" )

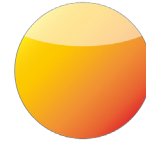
**PART CODE** 760-PH-AL - Brushed Aluminium  
760-PH-EBA - Black Anodised  
760-PH-WH - White

### 1/4 CTO Dichroic

*CCT warming - approx 300K*

**THICKNESS** 1.1mm ( 0.043" )  
**DAIMETER** 11mm ( 0.433" )

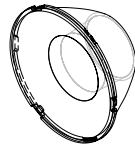
**PART CODE** 997-1/4CTO-11



## OPTICS

### Primary Optic

*Primary beam angle control*



**16° CODE** 760-16  
**23° CODE** 760-23  
**45° CODE** 760-45  
**90° CODE** 760-90

# MINIPOINT JACK SYSTEM

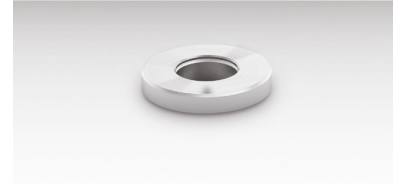
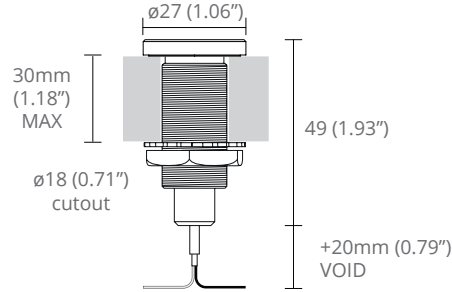
## MOUNTING OPTIONS

### MOUNTING OPTIONS

#### NODE MINIPOINT

For mounting into cabinetry

MINIPOINT CODE	FINISH
770-M-A-DC-AL	Brushed Aluminium
770-M-A-DC-WH	White RAL 9010
770-M-A-DC-EBA	Black RAL 9005
770-M-A-DC-AL	Rubbed Bronze
770-M-A-DC-AL	Polished Brass
770-M-A-DC-AL	Brushed Brass



#### MINIPOINT PLUG

For closing an open circuit / unused minipoint

MONOPOINT CODE	FINISH
770-BPA-AL	Brushed Aluminium
770-BPA-WH	White RAL 9010
770-BPA-EBA	Black RAL 9005
770-BPA-RB	Rubbed Bronze
770-BPA-PB	Polished Brass
770-BPA-SB	Brushed Brass

