

## OVERVIEW

Atto Eye is a Constant Current single source LED recessed spotlight that is machined from aerospace grade aluminium 6063-T6 and comes as standard in white, black and brushed aluminium. It has four site-changeable optics for flexible beam distribution and is fully adjustable with 360° pan and 30° tilt. The narrow beam in our 1.12W 102lm module has a peak intensity of 794cd.



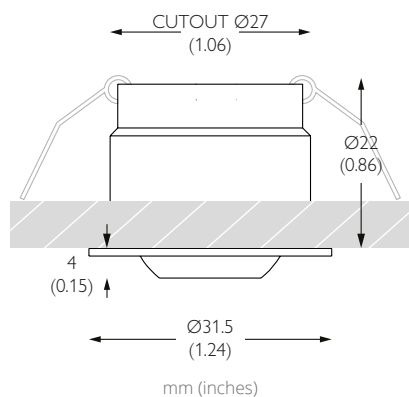
UK PART L	Part L1A / L1B (Dwellings)	EXEMPT
	Part L2A (General)	EXEMPT
	Part L2A (Display)	EXEMPT



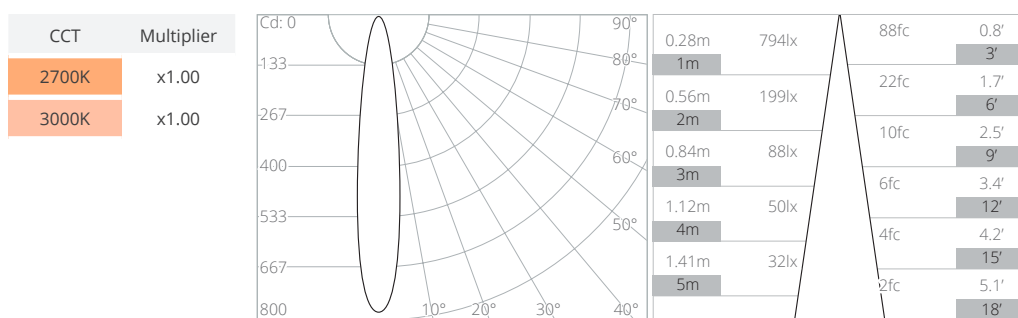
## PERFORMANCE

FWHM	16°	Category	IP20
Luminous Flux	94 lm	Material	Machined AL 6063-T6   Machined Brass
Peak Intensity	794 cd	Finishes	Brushed Aluminium   White RAL9010   Matte Black Anodised   Rubbed Bronze*   Polished Brass*   Brushed Brass *
CCT	2700K   3000K	Weight	21g   0.05lb
CRI Min.	95 TYP	Cutout	ø27mm (1.06")
Drive Current	350 mA	Movement	Pan 360°   Tilt 30°
Nom. Voltage	3.2 V	Min Ceiling Void	20mm (0.79") clearance above
Max. Wattage	1.12 W	Accessories	N/A   N/A
Dimming	0-10V   DALI	TM65   TM66	6.39kgCO2e   2.4
Driver Type	Constant Current   Remote	Lifetime	L90B10 100,000hrs   5 year warranty
Class	SELV   Class III		

## DIMENSIONS



## PHOTOMETRY



## ORDER CODE

Model	Finish	CCT	Beam Angle
RC-764	-	-	-
	WH White RAL 9010	2795 2700K 95CRI	16 Narrow
	EBA Black RAL 9005	3095 3000K 95CRI	23 Medium
	AL Brushed Aluminium		45 Flood
	RB Rubbed Bronze		90 Wide Flood
	PB Polished Brass		
	SB Brushed Brass		

Example Code: RC-764-WH-309516

\*Premium & custom finishes are built to order, subject to an extended lead time & MOQ  
See Drivers, Power Supplies and Accessories sections for further order codes

## OVERVIEW

Atto Eye is a Constant Current single source LED recessed spotlight that is machined from aerospace grade aluminium 6063-T6 and comes as standard in white, black and brushed aluminium. It has four site-changeable optics for flexible beam distribution and is fully adjustable with 360° pan and 30° tilt. The medium beam in our 1.12W 102lm module has a peak intensity of 359cd.



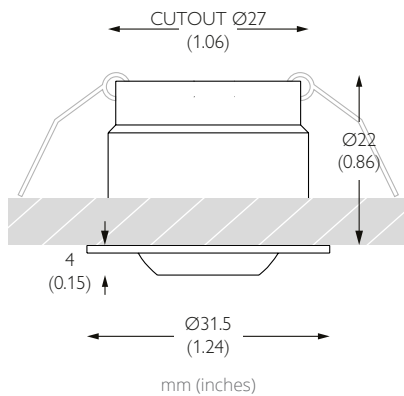
UK PART L	Part L1A / L1B (Dwellings)	EXEMPT
	Part L2A (General)	EXEMPT
	Part L2A (Display)	EXEMPT



## PERFORMANCE

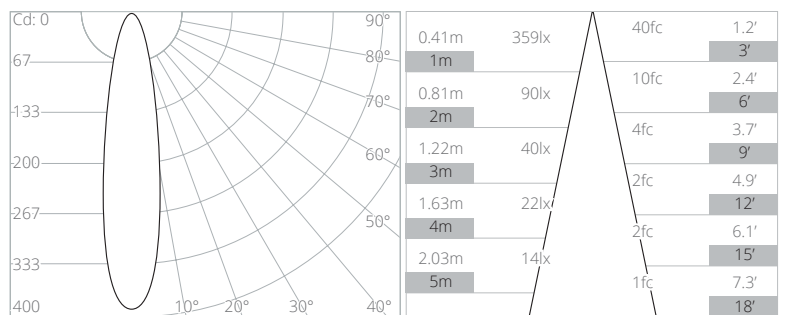
FWHM	23°	Category	IP20
Luminous Flux	92 lm	Material	Machined AL 6063-T6   Machined Brass
Peak Intensity	359 cd	Finishes	Brushed Aluminium   White RAL9010   Matte Black Anodised   Rubbed Bronze*   Polished Brass*   Brushed Brass *
CCT	2700K   3000K	Weight	21g   0.05lb
CRI Min.	95 TYP	Cutout	ø27mm (1.06")
Drive Current	350 mA	Movement	Pan 360°   Tilt 30°
Nom. Voltage	3.2 V	Min Ceiling Void	20mm (0.79") clearance above
Max. Wattage	1.12 W	Accessories	N/A   N/A
Dimming	0-10V   DALI	TM65   TM66	6.39kgCO2e   2.4
Driver Type	Constant Current   Remote	Lifetime	L90B10 100,000hrs   5 year warranty
Class	SELV   Class III		

## DIMENSIONS



## PHOTOMETRY

CCT	Multiplier
2700K	x1.00
3000K	x1.00



## ORDER CODE

Model	Finish	CCT	Beam Angle
RC-764	-	-	-
	WH White RAL 9010	2795 2700K 95CRI	16 Narrow
	EBA Black RAL 9005	3095 3000K 95CRI	23 Medium
	AL Brushed Aluminium		45 Flood
	RB Rubbed Bronze		90 Wide Flood
	PB Polished Brass		
	SB Brushed Brass		

Example Code: RC-764-WH-309523

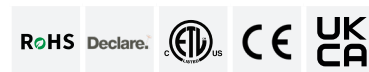
\*Premium & custom finishes are built to order, subject to an extended lead time & MOQ  
See Drivers, Power Supplies and Accessories sections for further order codes

## OVERVIEW

Atto Eye is a Constant Current single source LED recessed spotlight that is machined from aerospace grade aluminium 6063-T6 and comes as standard in white, black and brushed aluminium. It has four site-changeable optics for flexible beam distribution and is fully adjustable with 360° pan and 30° tilt. The flood beam in our 1.12W 102lm module has a peak intensity of 109cd.



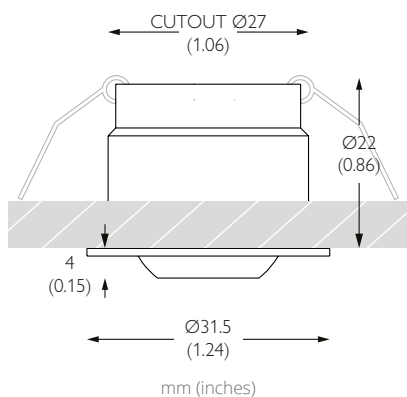
**UK PART L** Part L1A / L1B (Dwellings) *EXEMPT*  
Part L2A (General) *EXEMPT*  
Part L2A (Display) *EXEMPT*



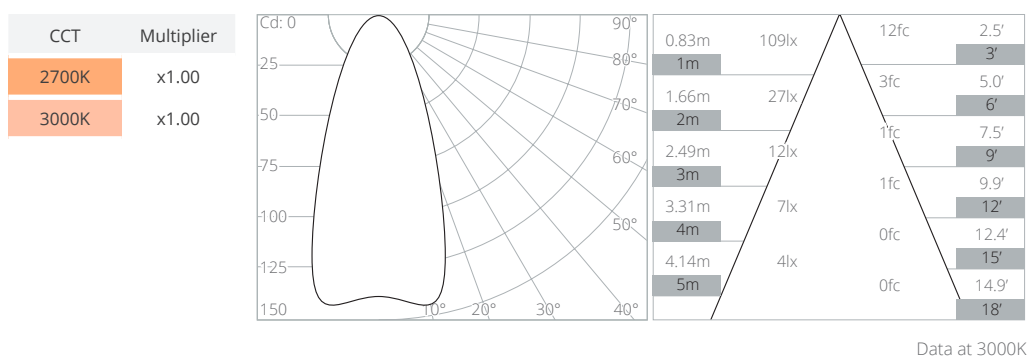
## PERFORMANCE

FWHM	45°	Category	IP20
Luminous Flux	93 lm	Material	Machined AL 6063-T6   Machined Brass
Peak Intensity	109 cd	Finishes	Brushed Aluminium   White RAL9010   Matte Black Anodised   Rubbed Bronze*   Polished Brass*   Brushed Brass *
CCT	2700K   3000K	Weight	21g   0.05lb
CRI Min.	95 TYP	Cutout	ø27mm (1.06")
Drive Current	350 mA	Movement	Pan 360°   Tilt 30°
Nom. Voltage	3.2 V	Min Ceiling Void	20mm (0.79") clearance above
Max. Wattage	1.12 W	Accessories	N/A   N/A
Dimming	0-10V   DALI	TM65   TM66	6.39kgCO2e   2.4
Driver Type	Constant Current   Remote	Lifetime	L90B10 100,000hrs   5 year warranty
Class	SELV   Class III		

## DIMENSIONS



## PHOTOMETRY



## ORDER CODE

Model	Finish	CCT	Beam Angle
RC-764	-	-	-
	WH White RAL 9010	2795 2700K 95CRI	16 Narrow
	EBA Black RAL 9005	3095 3000K 95CRI	23 Medium
	AL Brushed Aluminium		45 Flood
	RB Rubbed Bronze		90 Wide Flood
	PB Polished Brass		
	SB Brushed Brass		

Example Code: RC-764-WH-309545

\*Premium & custom finishes are built to order, subject to an extended lead time & MOQ  
See Drivers, Power Supplies and Accessories sections for further order codes

## OVERVIEW

Atto Eye is a Constant Current single source LED recessed spotlight that is machined from aerospace grade aluminium 6063-T6 and comes as standard in white, black and brushed aluminium. It has four site-changeable optics for flexible beam distribution and is fully adjustable with 360° pan and 30° tilt. The wide flood beam in our 1.12W 102lm module has a peak intensity of 26cd.



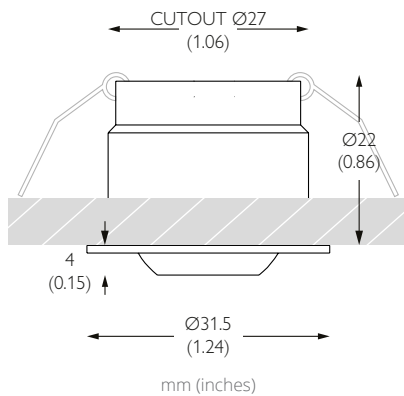
UK PART L	Part L1A / L1B (Dwellings)	EXEMPT
	Part L2A (General)	EXEMPT
	Part L2A (Display)	EXEMPT



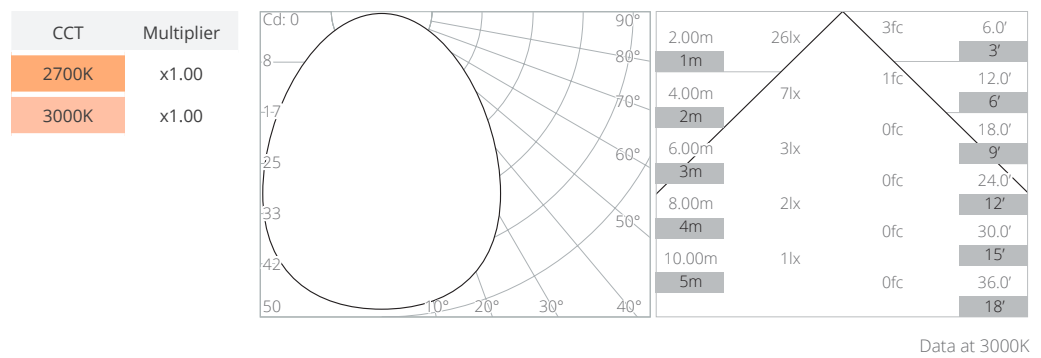
## PERFORMANCE

FWHM	90°	Category	IP20
Luminous Flux	69 lm	Material	Machined AL 6063-T6   Machined Brass
Peak Intensity	26 cd	Finishes	Brushed Aluminium   White RAL9010   Matte Black Anodised   Rubbed Bronze*   Polished Brass*   Brushed Brass *
CCT	2700K   3000K	Weight	21g   0.05lb
CRI Min.	95 TYP	Cutout	ø27mm (1.06")
Drive Current	350 mA	Movement	Pan 360°   Tilt 30°
Nom. Voltage	3.2 V	Min Ceiling Void	20mm (0.79") clearance above
Max. Wattage	1.12 W	Accessories	N/A   N/A
Dimming	0-10V   DALI	TM65   TM66	6.39kgCO2e   2.4
Driver Type	Constant Current   Remote	Lifetime	L90B10 100,000hrs   5 year warranty
Class	SELV   Class III		

## DIMENSIONS



## PHOTOMETRY



## ORDER CODE

Model	Finish	CCT	Beam Angle
RC-764	-	-	-
	WH White RAL 9010	2795 2700K 95CRI	16 Narrow
	EBA Black RAL 9005	3095 3000K 95CRI	23 Medium
	AL Brushed Aluminium		45 Flood
	RB Rubbed Bronze		90 Wide Flood
	PB Polished Brass		
	SB Brushed Brass		

Example Code: RC-764-WH-309590

\*Premium & custom finishes are built to order, subject to an extended lead time & MOQ  
See Drivers, Power Supplies and Accessories sections for further order codes

## DRIVERS

### 20W | DIMMING: DALI OR 0-10V

NO. OF LIGHTS PER DRIVER 1 to 12 in series

MIN DIM LEVEL 0.1%

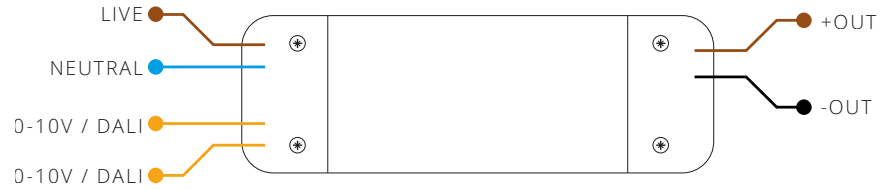
VOLTAGE REGION 230V

FOR NORTH AMERICA No

WATTAGE 20W

SUPPLY TYPE Constant Current

DRIVER LOCATION Remote



DALI CODE PSCC-20-350-D-EL

0-10V CODE PSCC-20-350-A-EL

LENGTH 160mm (6.30") WIDTH 41mm (1.63") HEIGHT 30mm (1.18")



### 30W | DIMMING: DALI OR 0-10V

NO. OF LIGHTS PER DRIVER 1 to 16 in series

MIN DIM LEVEL 0.1%

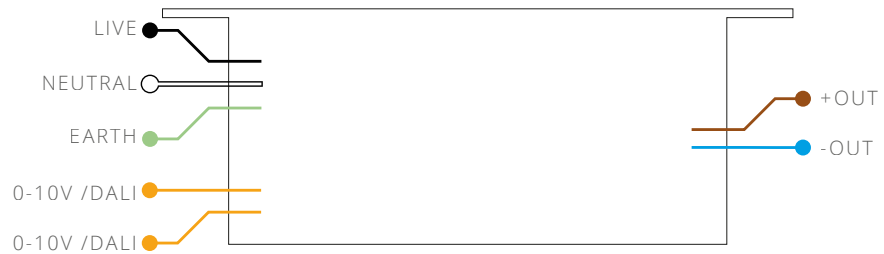
VOLTAGE REGION 120V

FOR NORTH AMERICA Yes

WATTAGE 30W

SUPPLY TYPE Constant Current

DRIVER LOCATION Remote



DALI CODE USCC-30-350-D-EL-ENC

0-10V CODE USCC-30-350-A-EL-ENC

LENGTH 348mm (13.7") WIDTH 65mm (2.6") HEIGHT 47mm (1.9")



### 12W | DIMMING: PHASE

NO. OF LIGHTS PER DRIVER 3 to 10 in series

MIN DIM LEVEL 1%

VOLTAGE REGION 120V

FOR NORTH AMERICA Yes

WATTAGE 12W

SUPPLY TYPE Constant Current

DRIVER LOCATION Remote



PHASE CODE USCC-12-350-P-HT-ENC

LENGTH 247mm (9.7") WIDTH 65mm (2.6") HEIGHT 47mm (1.9")

