

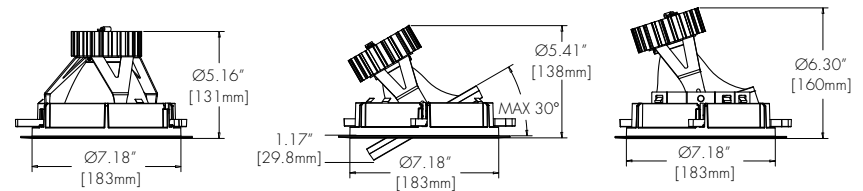
# ARTEMIS 5

DOWNLIGHT - ADJUSTABLE - WALL WASH  
TUNABLE WHITE & WARM DIM



## Features

- Available as a fixed downlight, a wall washer, and an adjustable fixture with 360° rotation and up to 30° angle adjustment.
- Faceted metal reflectors provide beam spreads between 10° to 60°.
- Nine drivers selections available to cover wide range of applications.
- Six output options available up to 6000 lumens.
- L70 > 50000 hours
- Five year warranty.



## Finish Options

- White
- Black
- Silver



## Technical Information

TYPE	WD1830				TW2765		TM-30					
	1000lm	1500lm	2000lm	3000lm	1500lm	3000lm	CCT	CRI	R <sub>f</sub>	R <sub>g</sub>	R <sub>9</sub>	
<b>OUTPUT OPTIONS</b>												
<b>Fixture wattage</b>	16.3 W	21.3 W	24.9 W	31.8 W	14.9 W	45.3 W						
<b>Delivered Lumen at full on</b>	1517 lm	1935 lm	2200 lm	2664 lm	1358 lm	3285 lm						
<b>Efficacy</b>	93 lm/W	91 lm/W	88 lm/W	84 lm/W	91 lm/W	73 lm/W						
<b>Center Beam Candlepower (10° Faceted Reflector)</b>	17284 cd	22179 cd	25217 cd	30535 cd	15565 cd	37652 cd						

## Ordering Code

Example: Fixture ART5-D-TR-15-WD1830-F10-NA-WH-WH  
HRM-ART5-D-TR-15-WD1830-PHSD-NA

### Fixture

MODEL	TYPE	TRIM	OUTPUT	CCT	OPTIC	ACCESSORY	TRIM FINISH	BAFFLE FINISH
ART5-Artemis 5"	D-Fixed Downlight A-Adjustable W-Wall Wash <sup>1</sup>	TR-Trimmed TL-Trimless	15-1500 lumens 20-2000 lumens 30-3000 lumens	WD1830-Warm Dim, 1800K-3000K TW2765-Tunable White, 2700K-6500K <sup>5,6,7</sup>	F10-10 Degree, Faceted F18-18 Degree, Faceted F30-30 Degree, Faceted F45-45 Degree, Faceted F60-60 Degree, Faceted	NA-No Accessory CL-Clear Lens DL-Diffusing Lens HC-Honeycomb Louver	WH-White BK-Black SL-Silver	WH-White BK-Black SL-Silver

HOUSING	MODEL	TRIM	OUTPUT	CCT	DRIVER	DRIVER OPTIONS
HRM-Remote Power Supply (Non-IC) HP-New Construction Pan (Non-IC) <sup>8</sup> HIC-Housing, IC Rated HCP-Housing, IC Rated, Chicago Plenum Rated	ART5-D-Artemis 5" Fixed Downlight ART5-A-Artemis 5" Adjustable ART5-W-Artemis 5" Wall Wash	Same as Fixture	Same as Fixture	Same as Fixture	PHSD-Forward/Reverse Phase, 1% Dimming, 120V Only O10S-0-10V, 1% Dimming, 120/277V O103-0-10V, 1% Dimming, 347V Only O10L-EldoLED, 0-10V, Linear, 0.1% Dimming, 120/277V O10G-EldoLED, 0-10V, Log, 0.1% Dimming, 120/277V DALI-EldoLED, DALI Protocol 2, DT-6, 0.1% Dimming, 120/277V DALI8-EldoLED, DALI Protocol 2, DT-8, 0.1% Dimming, 120/277V <sup>2</sup> LUTE-Lutron Hilume Ecodigital, 1% Dimming, 120V/277V <sup>2</sup> DMX-EldoLED, DMX, 0.1% Dimming, 120V/277V <sup>2</sup>	NA-None EMG-Emergency Driver <sup>2,3</sup> AWN-R-Athena <sup>4</sup>

1 - Wall Wash is only available with Optic F18 - 18 Degree, Faceted and DL - Diffusing Lens  
2 - Drivers DALI8/LUTE/DMX/EMG are only available with HRM - Remote Power Supply.  
3 - Emergency option comes prewired from factory with driver in remote housing. 8W of continuous power provided for a minimum of 90 minutes. Must be installed within 30 feet of luminaire using 18 AWG wire. Only available with O10S/O10L/O10G/PHSD/DALI Drivers.

4 - AWNR only available with HP/HIC/HCP Housings and O10S Driver.  
5 - TW2765 only available with 1500/3000 lumens.  
6 - TW2765 only available with Drivers O10L/O10G/DALI8/DMX. Cannot use with EMG.  
7 - TW2765 requires HRM - Remote Power Supply.

CONTACT FACTORY FOR MORE OPTIONS.

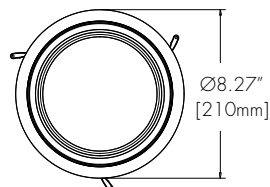
# ARTEMIS 5

DOWNLIGHT - ADJUSTABLE - WALL WASH  
TUNABLE WHITE & WARM DIM

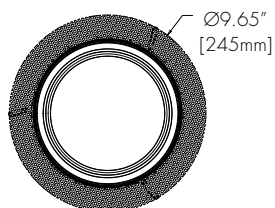


## Dimensions

Trimmed



Trimless



## Downlight & Adjustable Lens

**CL**

Clear Lens



**DL**

Diffusing Lens



**HC**

Honeycomb Louver



**SL**

Solite Lens



## Wall Wash Lens

**DL**

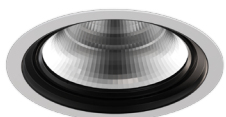
Diffusing Lens



## Optics

Faceted Reflector

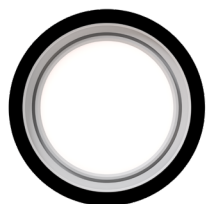
(10°, 18°, 30°, 45°, 60°)



## Trim Finishes

**01**

Black



**02**

White



**08**

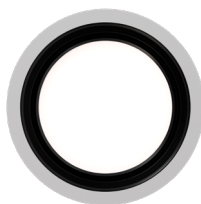
Silver



## Baffle Finishes

**01**

Black



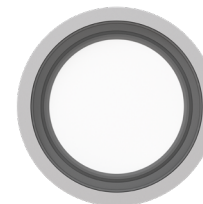
**02**

White



**08**

Silver



Any combination may be used for Trim and Baffle finishes.

# ARTEMIS 5

DOWNLIGHT - ADJUSTABLE - WALL WASH  
TUNABLE WHITE & WARM DIM

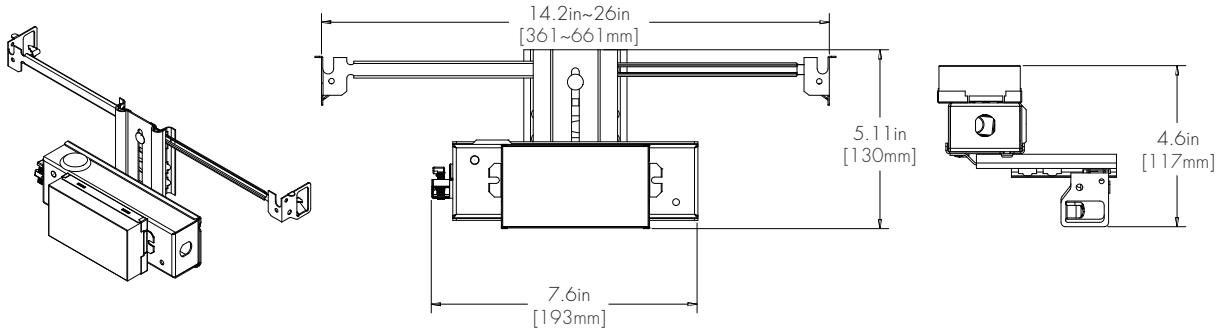


## Remote Driver Housing

Maximum mounting distance to luminaire using 18 AWG wire

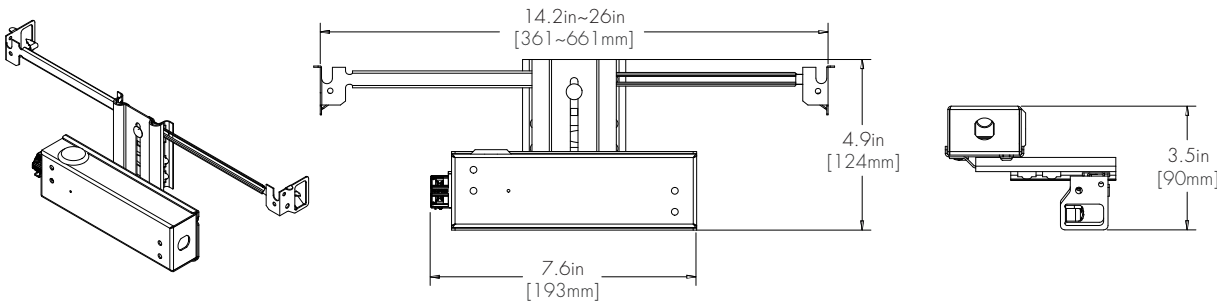
010S	PHSD	010L	010G	DALI DALI8	DMX	LUTE
16'	16'	72'	72'	72'	149'	15'

### HRM Single with Externally Mounted Driver



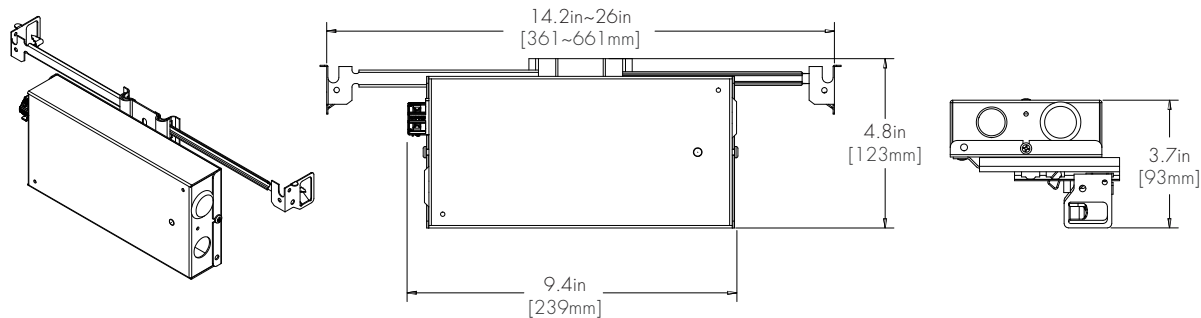
Driver	+	Driver Option
010L	+	NA
010G	+	NA
010S	+	NA
DALI	+	NA
LUTE	+	NA

### HRM Single



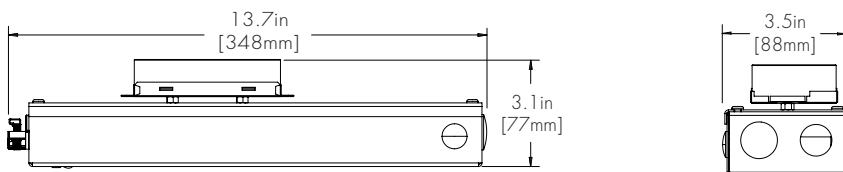
Driver	+	Driver Option
PHSD	+	NA

### HRM Double



Driver	+	Driver Option
DALI8	+	NA
DMX	+	NA

### EMG Emergency Driver (120 minutes EMG operation time)



Driver	+	Driver Option
010L	+	EMG
010G	+	EMG
010S	+	EMG
DALI	+	EMG
PHSD	+	EMG

# ARTEMIS 5

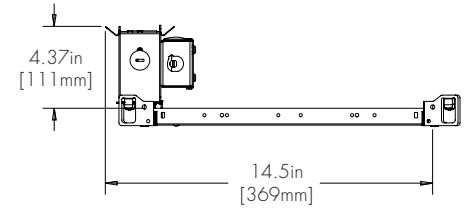
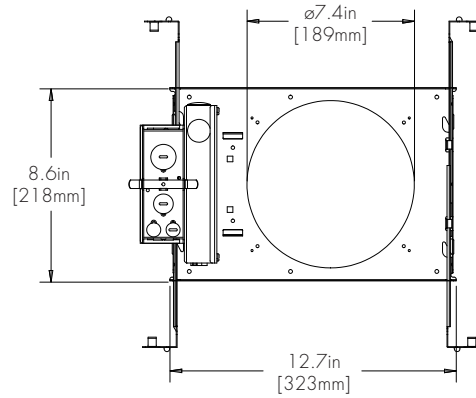
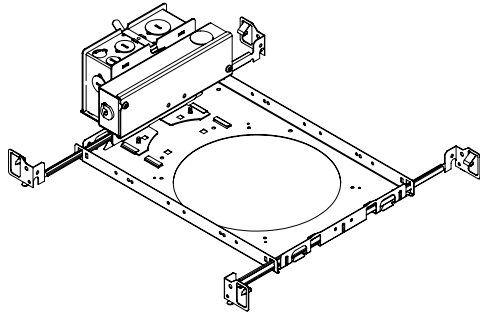
DOWNLIGHT - ADJUSTABLE - WALL WASH  
TUNABLE WHITE & WARM DIM



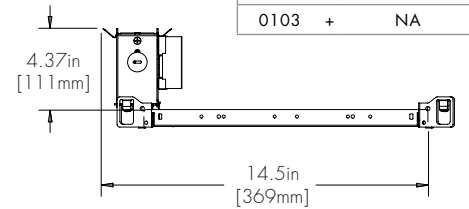
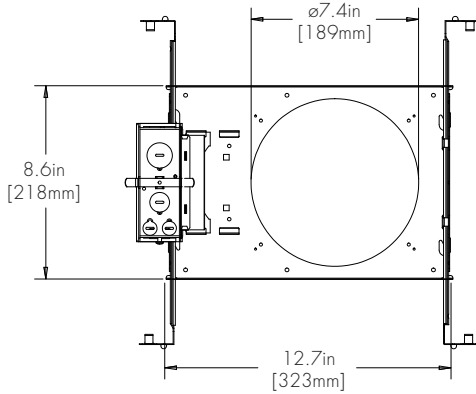
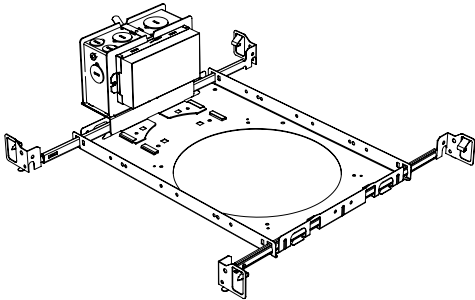
## Remote Driver Housing

### HP

New Construction Pan (Non-IC)



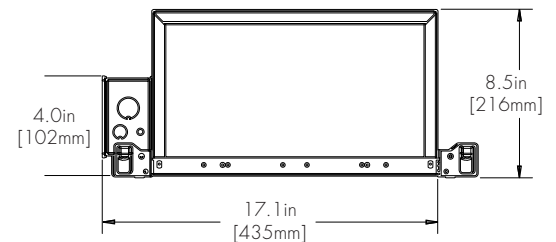
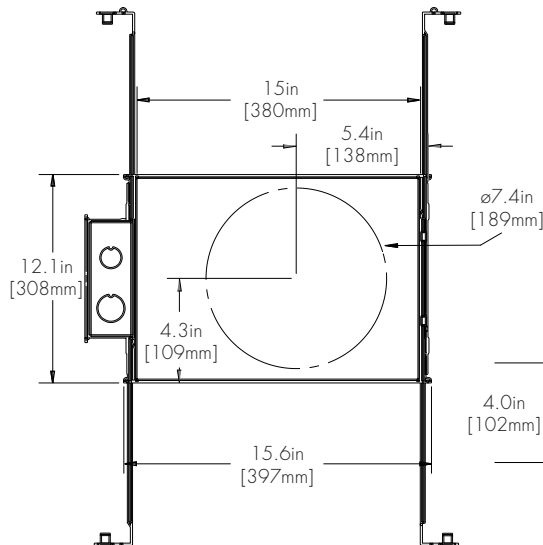
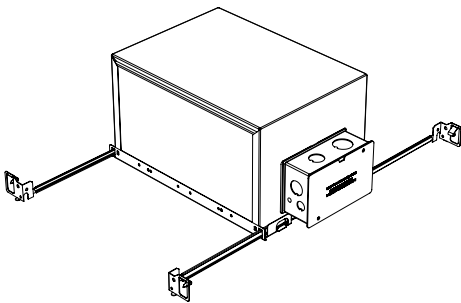
Driver	+ Driver Option
PHSD	+ NA



Driver	+ Driver Option
DALI	+ NA
010S	+ NA
010S	+ AWRN
010L	+ NA
010G	+ NA
0103	+ NA

### HIC/HCP

Housing, IC Rated/ Housing, IC Rated, Chicago Plenum Rated



Driver	+ Driver Option
PHSD	+ NA
DALI	+ NA
010S	+ NA
010S	+ AWRN
010L	+ NA
010G	+ NA
0103	+ NA

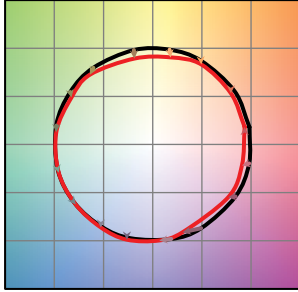
# ARTEMIS 5

DOWNLIGHT - ADJUSTABLE - WALL WASH  
TUNABLE WHITE & WARM DIM

## TM-30

Warm Dim 1800K

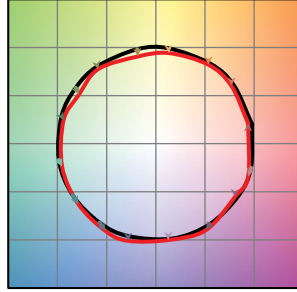
COLOR VECTOR GRAPHIC



— Reference Source — Test Source

Warm Dim 3000K

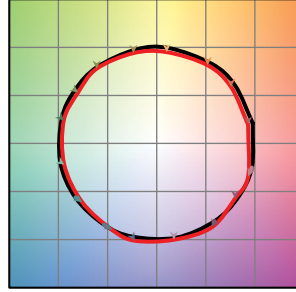
COLOR VECTOR GRAPHIC



— Reference Source — Test Source

Tunable White 2700K

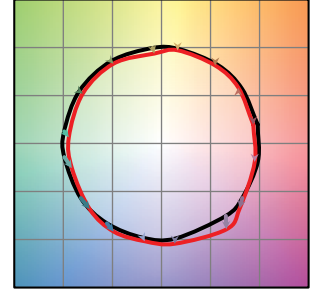
COLOR VECTOR GRAPHIC



— Reference Source — Test Source

Tunable White 6500K

COLOR VECTOR GRAPHIC



— Reference Source — Test Source

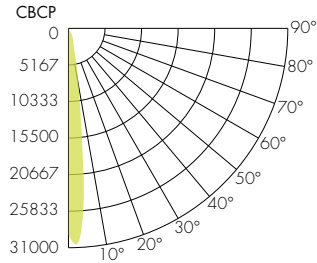
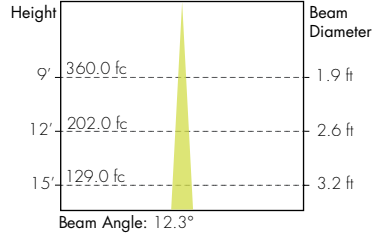
# ARTEMIS 5

DOWNLIGHT - ADJUSTABLE - WALL WASH  
TUNABLE WHITE & WARM DIM

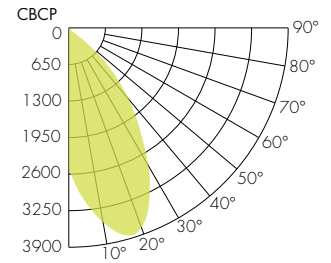
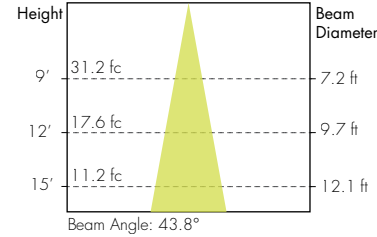


## Photometry

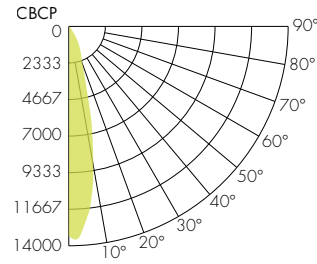
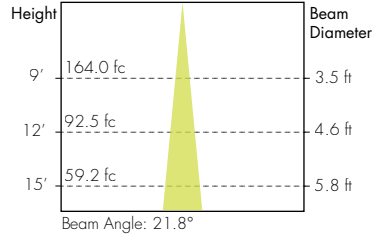
### 10° Faceted Reflector



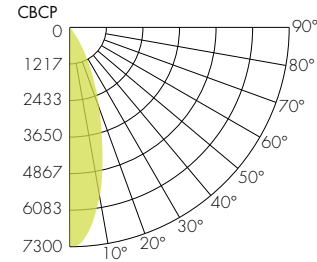
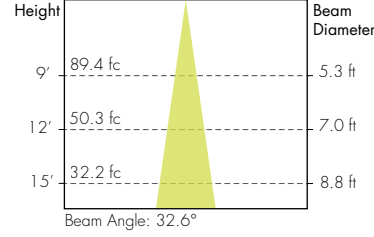
### Wall Wash 18° Faceted Reflector



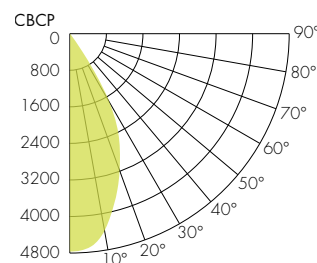
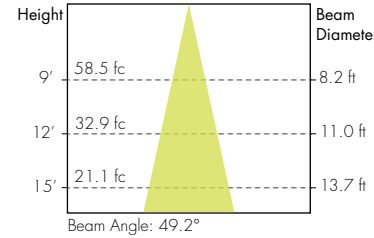
### 18° Faceted Reflector



### 30° Faceted Reflector



### 45° Faceted Reflector



### 60° Faceted Reflector

