

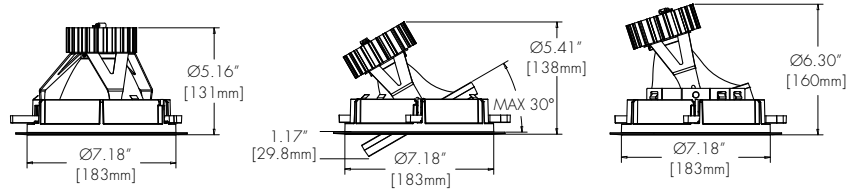
ARTEMIS 5

DOWNLIGHT - ADJUSTABLE - WALL WASH



Features

- Available as a fixed downlight, a wall washer, and an adjustable fixture with 360° rotation and up to 30° angle adjustment.
- Faceted metal reflectors provide beam spreads between 10° to 60°.
- Nine drivers selections available to cover wide range of applications.
- Six output options available up to 6000 lumens.
- L70 > 50000 hours
- Five year warranty.



Finish Options

- White
- Black
- Silver



Technical Information

OUTPUT OPTIONS	1500 lm	2000 lm	3000 lm	4000 lm	5000 lm	6000 lm
Fixture wattage	13.7 W	19.0 W	26.8 W	37.2 W	50.2 W	66.6 W
Delivered Lumen at 3500K	1612 lm	2178 lm	3080 lm	4081 lm	5097 lm	6097 lm
Efficacy	118 lm/W	115 lm/W	115 lm/W	110 lm/W	102 lm/W	92 lm/W
Center Beam Candlepower (10° Faceted Reflector)	15137 cd	20452 cd	28922 cd	38321 cd	47862 cd	57252 cd

CCT	Multiplier	CRI	TM-30		
			R _f	R _g	R ₉
2500K	0.81	92	90	104	77
2700K	0.92	92	91	102	61
3000K	0.97	95	92	102	61
3500K	1.00	95	93	101	72
4000K	1.07	95	92	103	68
6500K	1.05	96	91	100	89

Example: Fixture ART5-D-TR-15-25K-F10-NA-WH-WH
HRM-ART5-D-TR-15-25K-PHSD-NA

Ordering Code

Fixture

MODEL	TYPE	TRIM	OUTPUT	CCT	OPTIC	ACCESSORY	TRIM FINISH	BAFFLE FINISH
ART5-Artemis 5"	D-Fixed Downlight A-Adjustable W-Wall Wash ¹	TR-Trimmed TL-Trimless	15-1500 lumens (13.7W) 20-2000 lumens (19.0W) 30-3000 lumens (26.8W) 40-4000 lumens (37.2W) 50-5000 lumens (50.2W) 60-6000 lumens (66.6W)	25K-2500K 27K-2700K 30K-3000K 35K-3500K 40K-4000K 65K-6500K	F10-10 Degree, Faceted F18-18 Degree, Faceted F30-30 Degree, Faceted F45-45 Degree, Faceted F60-60 Degree, Faceted	NA-No Accessory CL-Clear Lens DL-Diffusing Lens HC-Honeycomb Louver	WH-White BK-Black SL-Silver	WH-White BK-Black SL-Silver

HOUSING	MODEL	TRIM	OUTPUT	CCT	DRIVER	DRIVER OPTIONS
HRM-Remote Power Supply (Non-IC) HP-New Construction Pan (Non-IC) ⁸ HIC-Housing, IC Rated ² HCP-Housing, IC Rated, Chicago Plenum Rated ²	ART5-D-Artemis 5" Fixed Downlight ART5-A-Artemis 5" Adjustable ART5-W-Artemis 5" Wall Wash	Same as Fixture	Same as Fixture	Same as Fixture	PHSD-Forward/Reverse Phase, 1% Dimming, 120V Only ³ 010S-0-10V, 1% Dimming, 120/277V ⁵ 0103-0-10V, 1% Dimming, 347V Only ⁴ 010L-EldoLED, 0-10V, Linear, 0.1% Dimming, 120/277V ³ 010G-EldoLED, 0-10V, Log, 0.1% Dimming, 120/277V ³ DALI-EldoLED, DALI Protocol 2, DT-6, 0.1% Dimming, 120/277V ³ DALI8-EldoLED, DALI Protocol 2, DT-8, 0.1% Dimming, 120/277V ^{3,6} LUTE-Lutron Hilume Ecodigital, 1% Dimming, 120V/277V ^{4,6} DMX-EldoLED, DMX, 0.1% Dimming, 120V/277V ^{3,6}	NA-None EMG-Emergency Driver ^{7,9} AWNR-Athena ^{8,9}

1 - Wall Wash is only available with Optic F18 - 18 Degree, Faceted and DL - Diffusing Lens.
2 - Housings HIC and HCP are not available when output exceeds 4000 lumens.
3 - Drivers PHSD/010L/010G/DALI/DALI8/DMX are only available up to 4000 lumens.
4 - Drivers 0103/LUTE only available up to 3500 lumens.
5 - Driver 010S is available with all outputs up to 6000 lumens.
6 - Drivers DALI8/LUTE/DMX/EMG are only available with HRM - Remote Power Supply.

7 - Emergency option comes prewired from factory with driver in remote housing. 8W of continuous power provided for a minimum of 90 minutes. Must be installed within 30 feet of luminaire using 18 AWG wire. Only available with 010S/010L/010G/PHSD/DALI Drivers.
8 - AWNR with HP Housing is only available up to 5000 lumens.
9 - AWNR only available with HP/HIC/HCP Housings and 010S Driver.

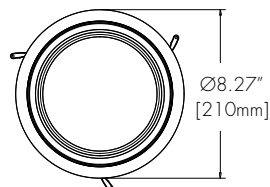
CONTACT FACTORY FOR MORE OPTIONS

ARTEMIS 5

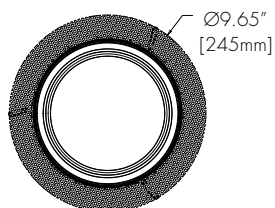
DOWNLIGHT - ADJUSTABLE - WALL WASH

Dimensions

Trimmed



Trimless



Downlight & Adjustable Lens

CL

Clear Lens



DL

Diffusing Lens



HC

Honeycomb Louver



SL

Solite Lens



Wall Wash Lens

DL

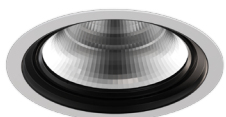
Diffusing Lens



Optics

Faceted Reflector

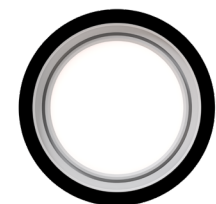
(10°, 18°, 30°, 45°, 60°)



Trim Finishes

01

Black



02

White



08

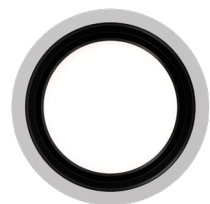
Silver



Baffle Finishes

01

Black



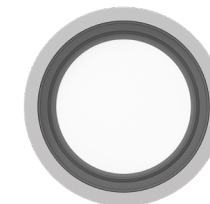
02

White



08

Silver



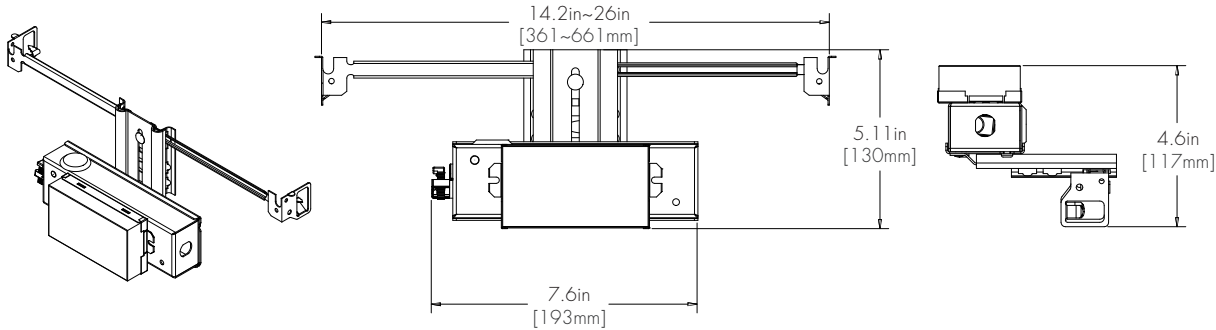
Any combination may be used for Trim and Baffle finishes.

Remote Driver Housing

Maximum mounting distance to luminaire using 18 AWG wire

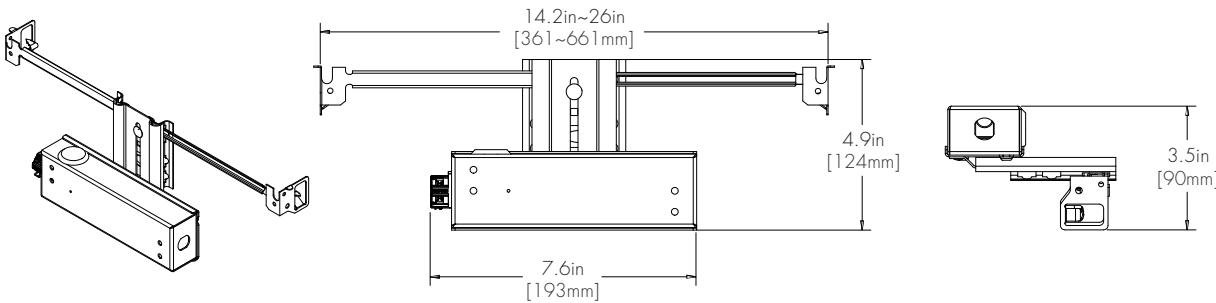
010S	PHSD	010L	010G	DALI DALI8	DMX	LUTE
16'	16'	72'	72'	72'	149'	15'

HRM Single with Externally Mounted Driver



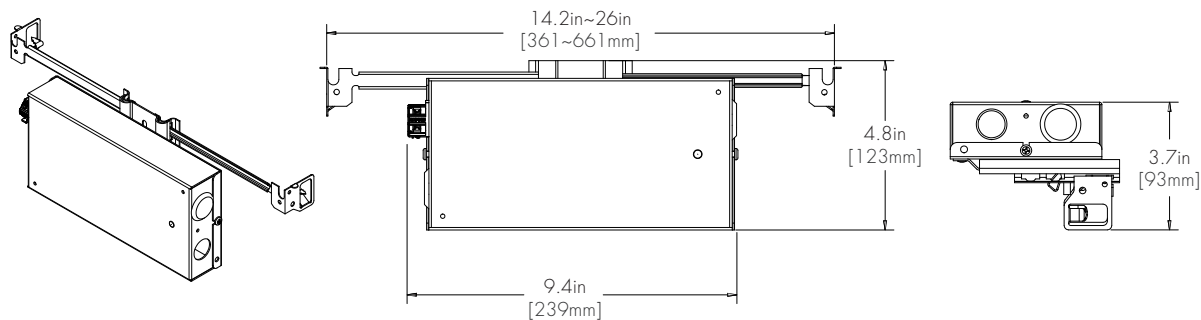
Driver	+	Driver Option
010L	+	NA
010G	+	NA
010S	+	NA
DALI	+	NA
LUTE	+	NA

HRM Single



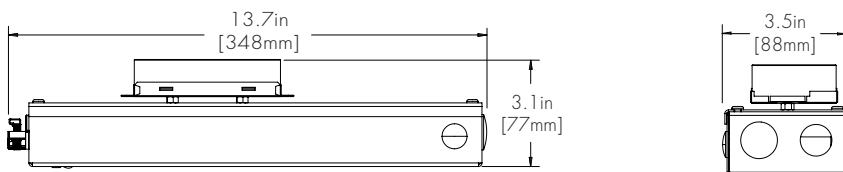
Driver	+	Driver Option
PHSD	+	NA

HRM Double



Driver	+	Driver Option
DALI8	+	NA
DMX	+	NA

EMG Emergency Driver (120 minutes EMG operation time)



Driver	+	Driver Option
010L	+	EMG
010G	+	EMG
010S	+	EMG
DALI	+	EMG
PHSD	+	EMG

ARTEMIS 5

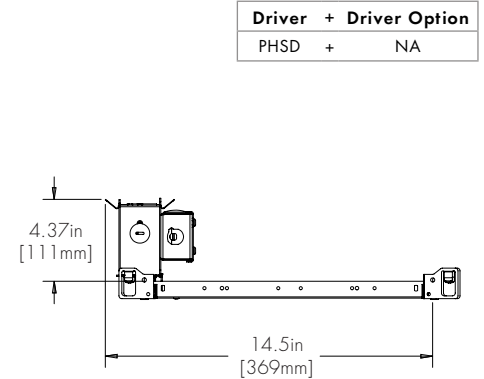
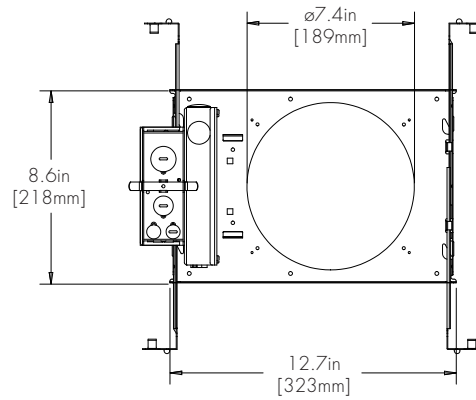
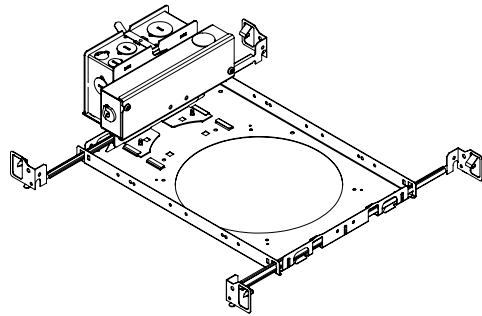
DOWNLIGHT - ADJUSTABLE - WALL WASH



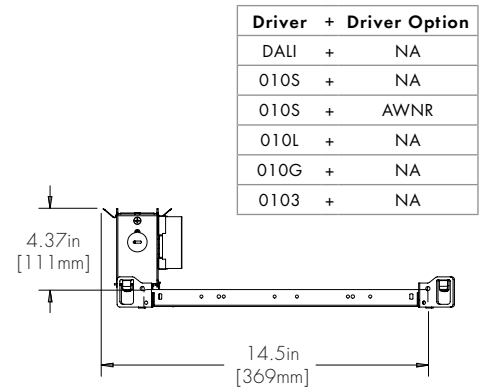
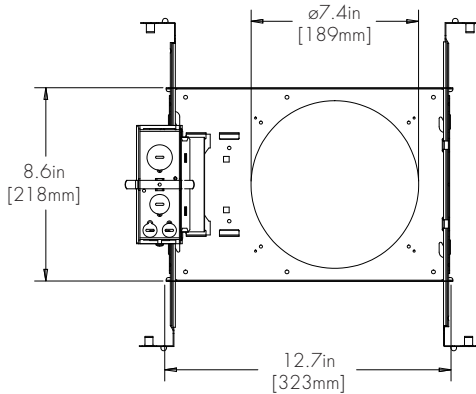
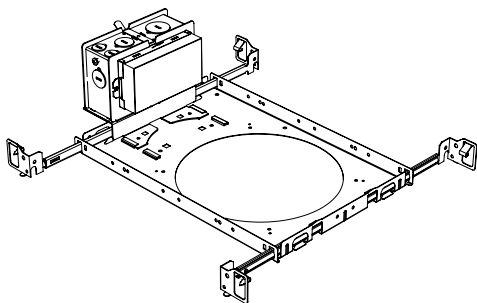
Remote Driver Housing

HP

New Construction Pan (Non-IC)



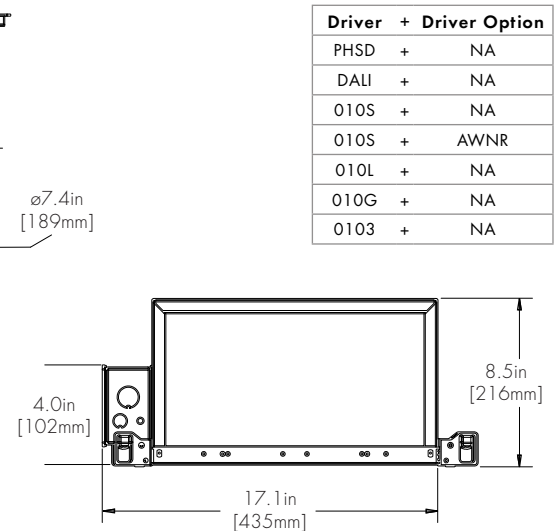
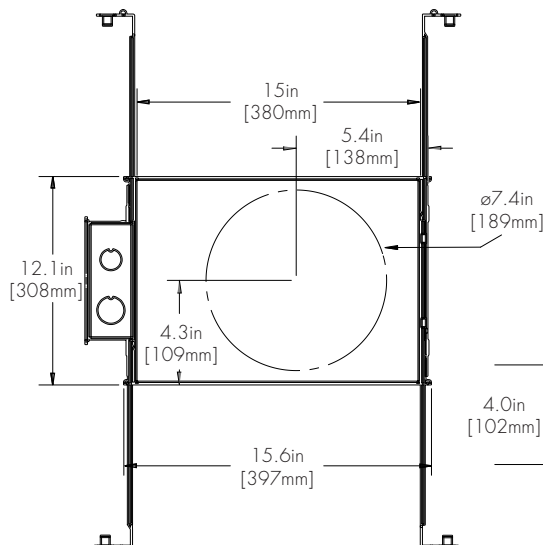
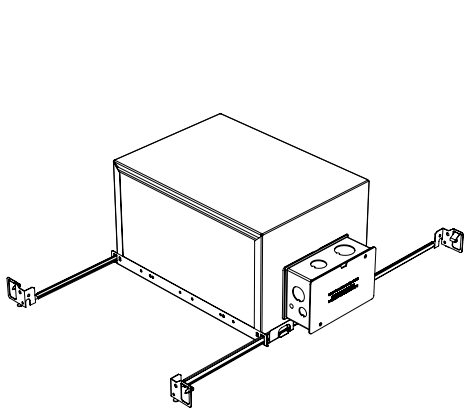
Driver	+ Driver Option
PHSD	+ NA



Driver	+ Driver Option
DALI	+ NA
O10S	+ NA
O10S	+ AWRN
O10L	+ NA
O10G	+ NA
O103	+ NA

HIC/HCP

Housing, IC Rated/ Housing, IC Rated, Chicago Plenum Rated



Driver	+ Driver Option
PHSD	+ NA
DALI	+ NA
O10S	+ NA
O10S	+ AWRN
O10L	+ NA
O10G	+ NA
O103	+ NA

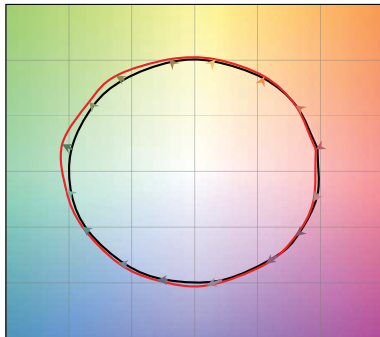
ARTEMIS 5

DOWNLIGHT - ADJUSTABLE - WALL WASH

TM-30

2500K

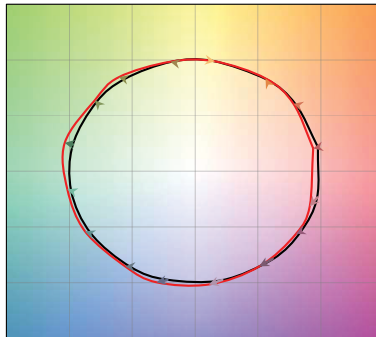
COLOR VECTOR GRAPHIC



— Reference Source — Test Source

2700K

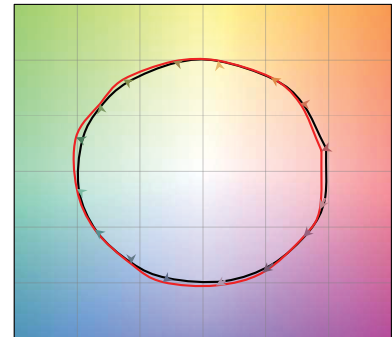
COLOR VECTOR GRAPHIC



— Reference Source — Test Source

3000K

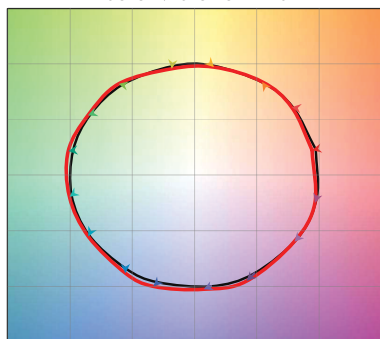
COLOR VECTOR GRAPHIC



— Reference Source — Test Source

3500K

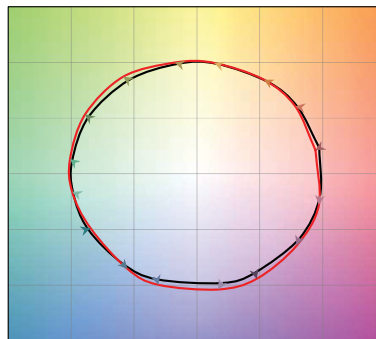
COLOR VECTOR GRAPHIC



— Reference Source — Test Source

4000K

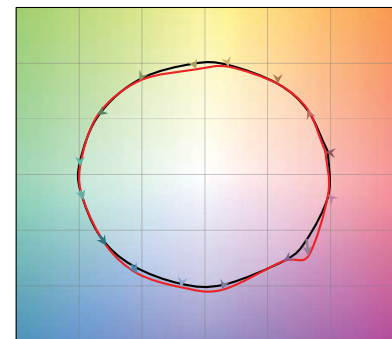
COLOR VECTOR GRAPHIC



— Reference Source — Test Source

6500K

COLOR VECTOR GRAPHIC



— Reference Source — Test Source

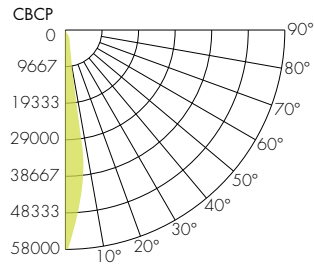
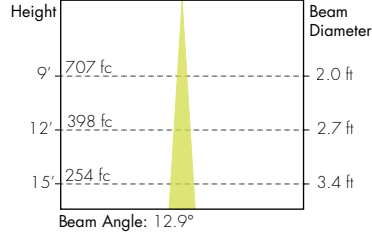
ARTEMIS 5

DOWNLIGHT - ADJUSTABLE - WALL WASH

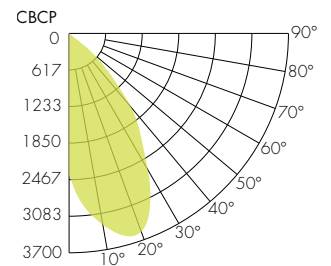
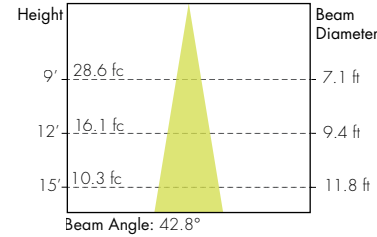


Photometry

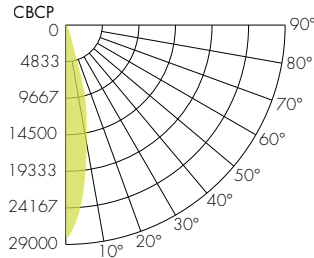
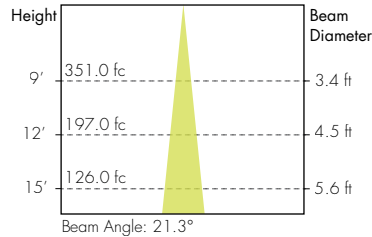
10° Faceted Reflector



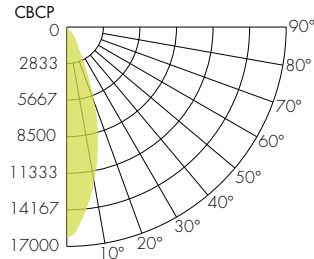
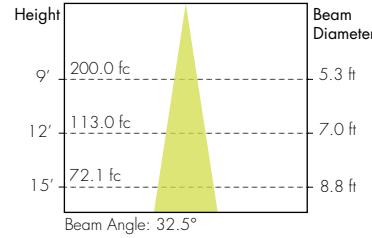
Wall Wash 18° Faceted Reflector



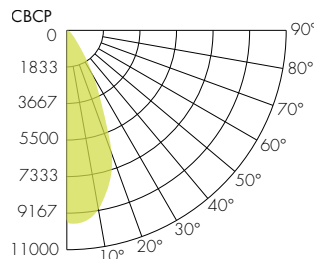
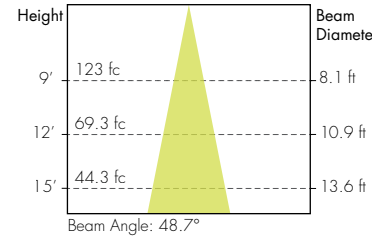
18° Faceted Reflector



30° Faceted Reflector



45° Faceted Reflector



60° Faceted Reflector

