

# ARTEMIS 3 WET

DOWNLIGHT - WALL WASH

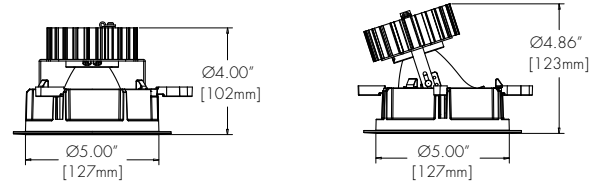
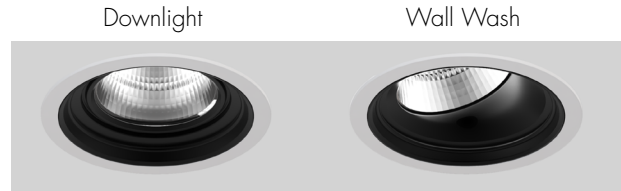


## Features

- Four output options available up to 3000 lumens.
- Ceiling thickness must be between 1/4" and 1" (6mm & 25mm).
- Faceted and Smooth metal reflectors provide beam spreads between 10° to 80°
- Five year warranty.

## Finish Options

- White
- Black
- Silver



## Technical Information

OUTPUT OPTIONS	1000 lm	1500 lm	2000 lm	3000 lm
<b>Fixture wattage</b>	11.5 W	16.6 W	21.8 W	32.7 W
<b>Delivered Lumen</b>	1086 lm	1543 lm	1975 lm	2810 lm
<b>Efficacy</b>	94 lm/W	93 lm/W	91 lm/W	86 lm/W
<b>Center Beam Candlepower (10° Faceted Reflector)</b>	8846 cd	12569 cd	16087 cd	22889 cd

CCT	Multiplier	CRI	TM-30		
			R <sub>f</sub>	R <sub>g</sub>	R <sub>9</sub>
2500K	0.81	92	90	104	77
2700K	0.92	92	91	102	61
3000K	0.97	95	92	102	61
3500K	1.00	95	93	101	72
4000K	1.07	95	92	103	68
6500K	1.05	96	91	100	89

## Ordering Code

Example: Fixture ART3W-D-TR-10-25K-F10-CL-WH-WH  
HRM-ART3W-D-TR-10-25K-PHSD-NA

MODEL	TYPE	TRIM	OUTPUT	CCT	OPTIC	ACCESSORY	TRIM FINISH	BAFFLE FINISH
ART3W-Artemis 3" Wet	D-Fixed Downlight W-Wall Wash <sup>1</sup>	TR-Trimmed	10-1000 lumens (9.5W) 15-1500 lumens (14.0W) 20-2000 lumens (19.8W) 30-3000 lumens (31.8W)	25K-2500K 27K-2700K 30K-3000K 35K-3500K 40K-4000K 65K-6500K	F10-10 Degree, Faceted F18-18 Degree, Faceted F30-30 Degree, Faceted F45-45 Degree, Faceted F60-60 Degree, Faceted S30-30 Degree, Smooth S45-45 Degree, Smooth S80-80 Degree, Smooth	CL-Clear Lens DL-Diffusing Lens	WH-White BK-Black SL-Silver	WH-White BK-Black SL-Silver
HOUSING	MODEL	TRIM	OUTPUT	CCT	DRIVER	DRIVER OPTIONS		
HRM-Remote Power Supply (Non-IC) HP-New Construction Pan (Non-IC) HIC-Housing, IC Rated <sup>2</sup> HCP-Housing, IC Rated, Chicago Plenum Rated <sup>2</sup>	ART3W-D-Artemis 3" Wet Fixed Downlight ART3W-W-Artemis 3" Wet Wall Wash	Same as Fixture	Same as Fixture	Same as Fixture	PHSD-Forward/Reverse Phase, 1% Dimming, 120V Only 010S-0-10V, 1% Dimming, 120/277V 0103-0-10V, 1% Dimming, 347V Only 010L-EldoLED, 0-10V, Linear, 0.1% Dimming, 120/277V 010G-EldoLED, 0-10V, Log, 0.1% Dimming, 120/277V DALI-EldoLED, DALI Protocol 2, DT-6, 0.1% Dimming, 120/277V DALI8-EldoLED, DALI Protocol 2, DT-8, 0.1% Dimming, 120/277V <sup>4</sup> LUTE-Lutron Hilume Ecodigital, 1% Dimming, 120V/277V <sup>3,4</sup> DMX-EldoLED, DMX, 0.1% Dimming, 120V/277V <sup>4</sup>	NA-None EMG-Emergency Driver <sup>4,5</sup> AWN- Athena <sup>6</sup>		

1 - Wall Wash is only available with Optic F18 - 18 Degree, Faceted and DL - Diffusing Lens.  
2 - Housings HIC and HCP are not available when output exceeds 2000 lumens.  
3 - LUTE driver is not available at 700 lumens.

4 - Drivers DALI8/LUTE/DMX/EMG are only available with HRM - Remote Power Supply.  
5 - Emergency option comes prewired from factory with driver in remote housing. 8V of continuous power provided for a minimum of 90 minutes. Must be installed within 30 feet of luminaire using 18 AWG wire. Only available with 010S/010L/010G/PHSD/DALI Drivers.  
6 - AAWN only available with HP/HIC/HCP Housings and 010S Driver.

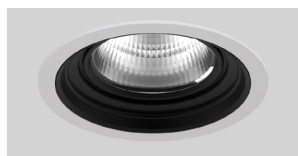
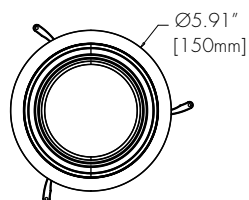
CONTACT FACTORY FOR MORE OPTIONS

# ARTEMIS 3 WET

DOWNLIGHT - WALL WASH

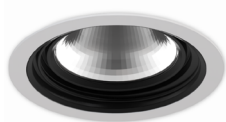
## Dimensions

Trimmed



## Downlight & Adjustable Lens

**CL**  
Clear Lens



**DL**  
Diffusing Lens



## Wall Wash Lens

**DL**  
Diffusing Lens



## Optics

**Faceted Reflector**  
(10°, 18°, 30°, 45°, 60°)

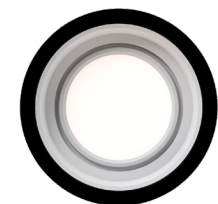


**Smooth Reflector**  
(30°, 45°, 80°)



## Trim Finishes

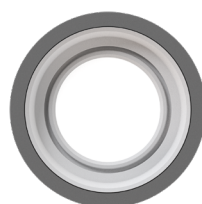
**01**  
Black



**02**  
White



**08**  
Silver



## Baffle Finishes

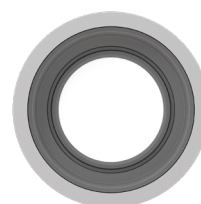
**01**  
Black



**02**  
White



**08**  
Silver



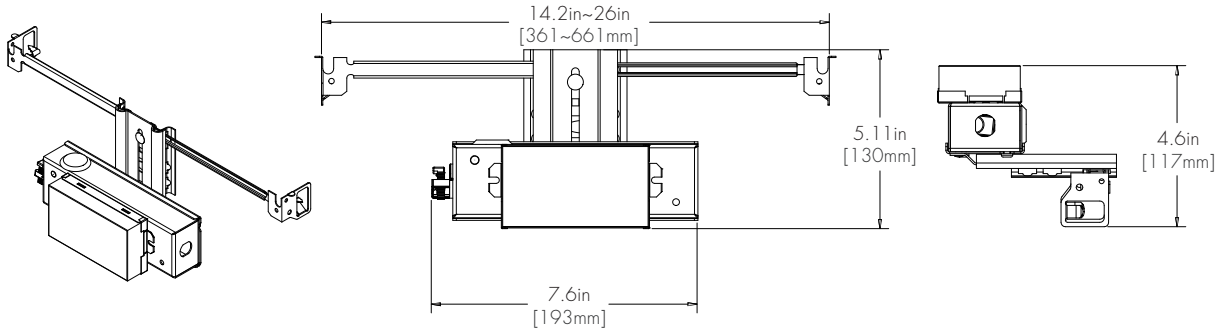
Any combination may be used for Trim and Baffle finishes.

## Remote Driver Housing

Maximum mounting distance to luminaire using 18 AWG wire

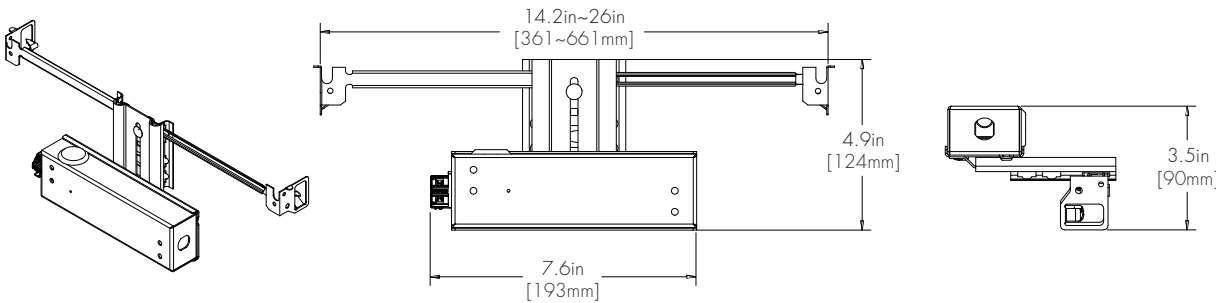
010S	PHSD	010L	010G	DALI DALI8	DMX	LUTE
16'	16'	72'	72'	72'	149'	15'

### HRM Single with Externally Mounted Driver



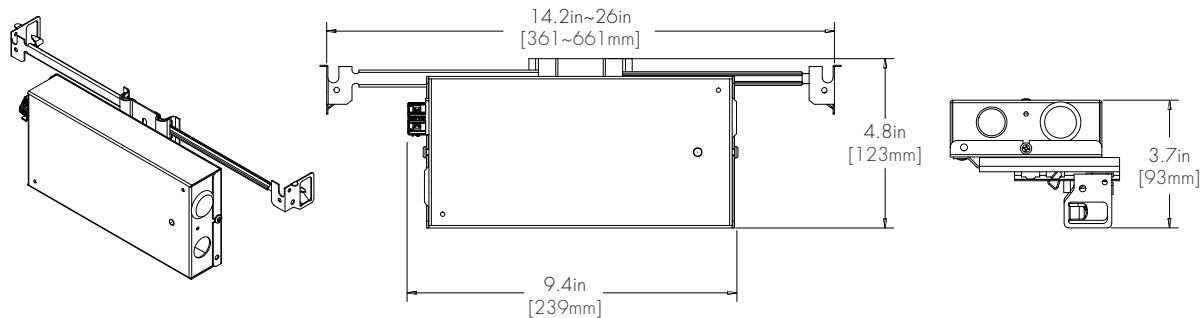
Driver	+	Driver Option
010L	+	NA
010G	+	NA
010S	+	NA
DALI	+	NA
LUTE	+	NA

### HRM Single



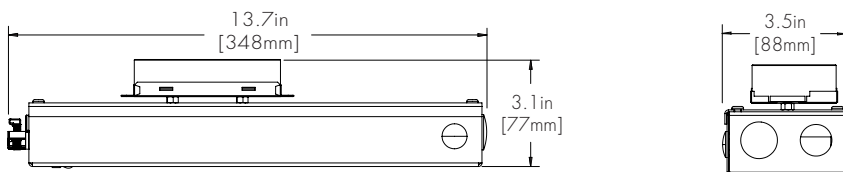
Driver	+	Driver Option
PHSD	+	NA

### HRM Double



Driver	+	Driver Option
DALI8	+	NA
DMX	+	NA

### EMG Emergency Driver (120 minutes EMG operation time)



Driver	+	Driver Option
010L	+	EMG
010G	+	EMG
010S	+	EMG
DALI	+	EMG
PHSD	+	EMG

# ARTEMIS 3 WET

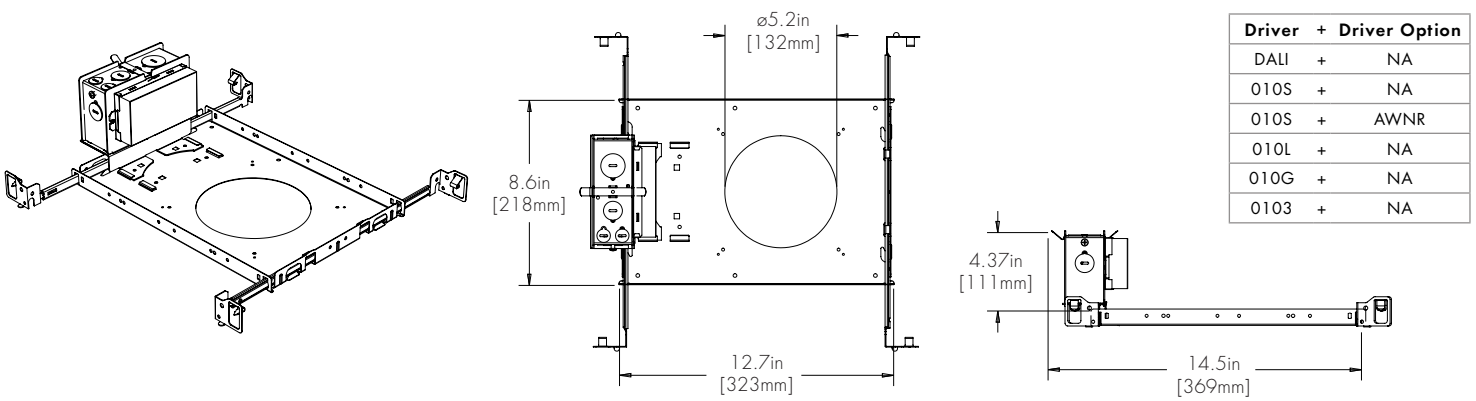
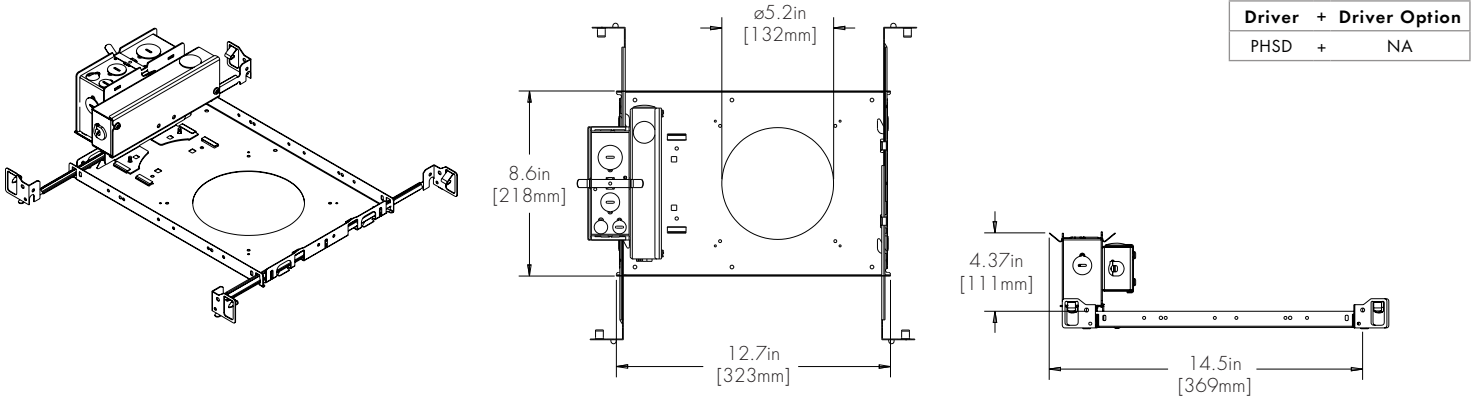
DOWNLIGHT - WALL WASH



## Remote Driver Housing

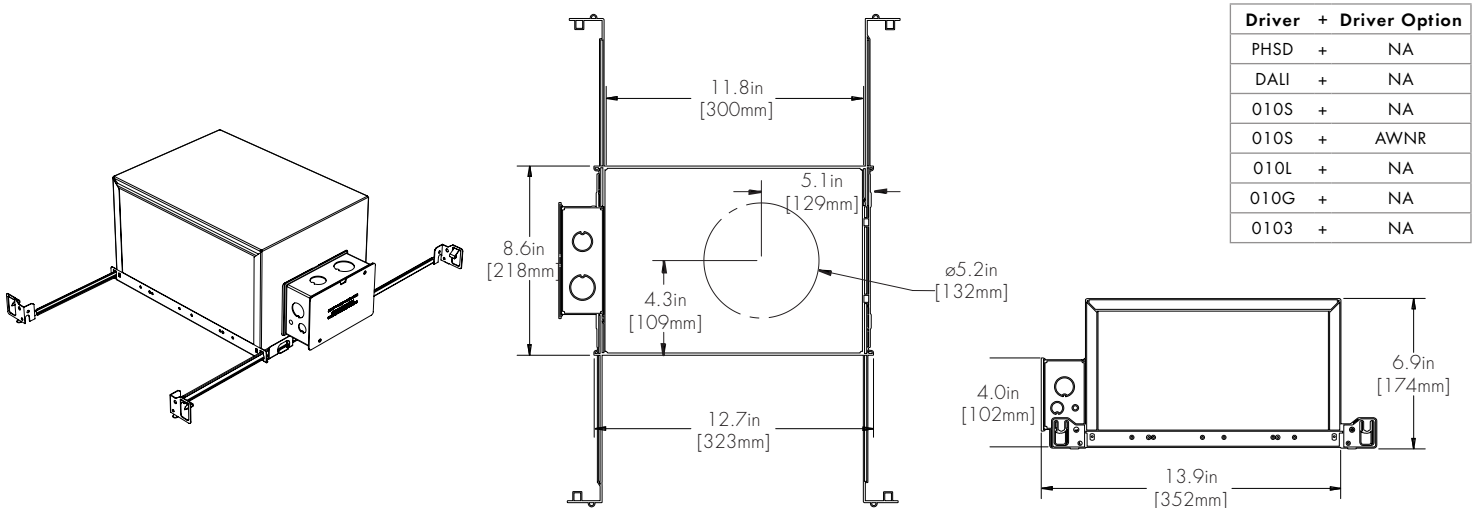
### HP

New Construction Pan (Non-IC)



### HIC/HCP

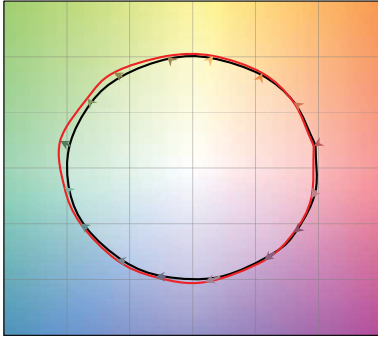
Housing, IC Rated/ Housing, IC Rated, Chicago Plenum Rated



## TM-30

**2500K**

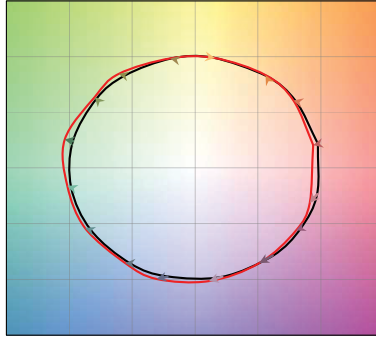
COLOR VECTOR GRAPHIC



— Reference Source — Test Source

**2700K**

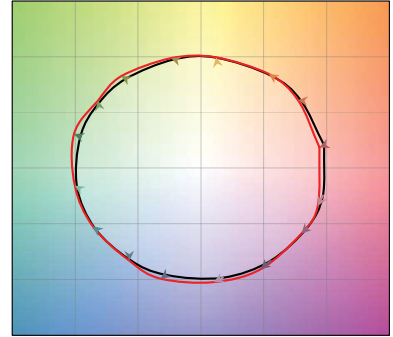
COLOR VECTOR GRAPHIC



— Reference Source — Test Source

**3000K**

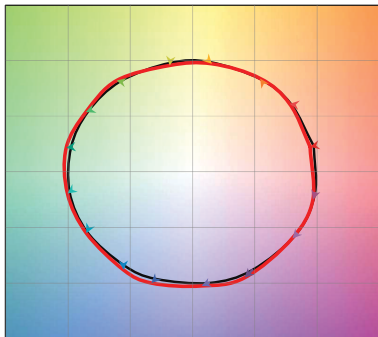
COLOR VECTOR GRAPHIC



— Reference Source — Test Source

**3500K**

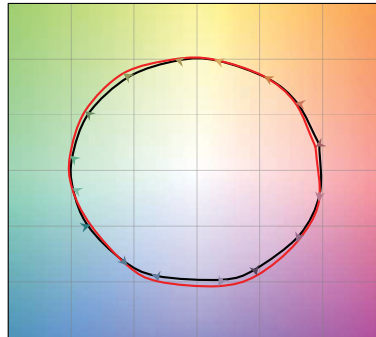
COLOR VECTOR GRAPHIC



— Reference Source — Test Source

**4000K**

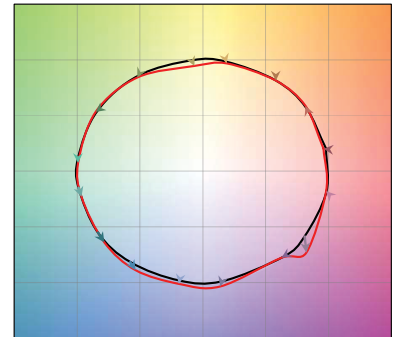
COLOR VECTOR GRAPHIC



— Reference Source — Test Source

**6500K**

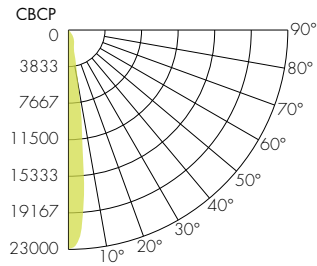
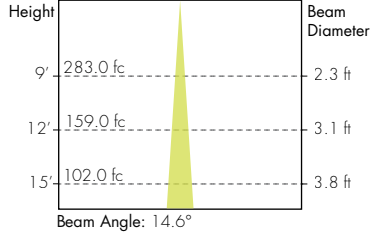
COLOR VECTOR GRAPHIC



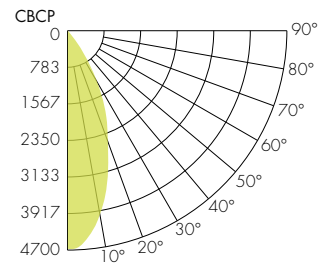
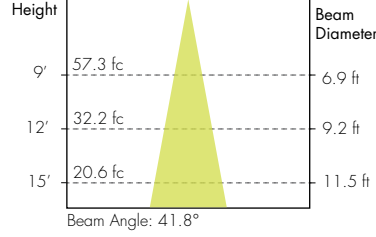
— Reference Source — Test Source

## Photometry

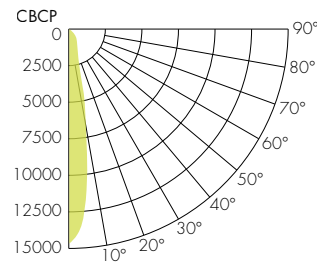
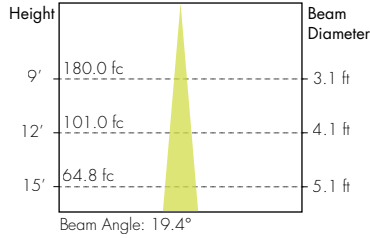
### 10° Faceted Reflector



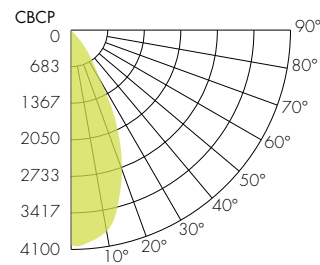
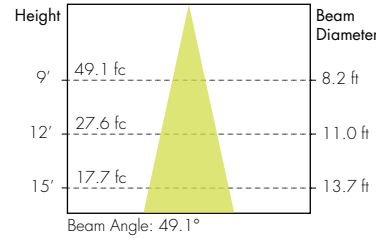
### 30° Smooth Reflector



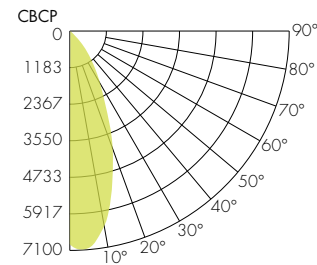
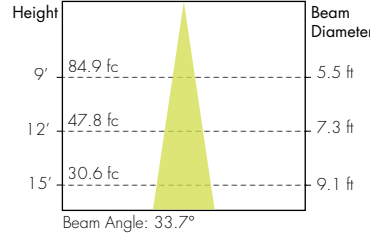
### 18° Faceted Reflector



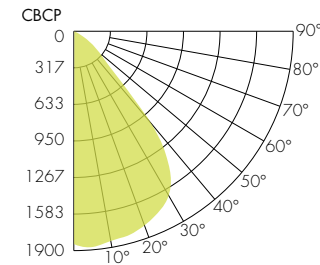
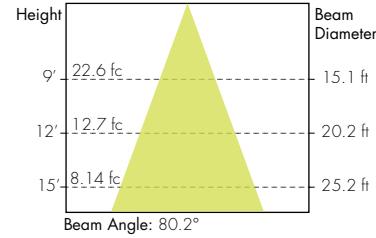
### 45° Smooth Reflector



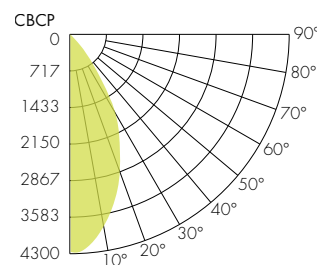
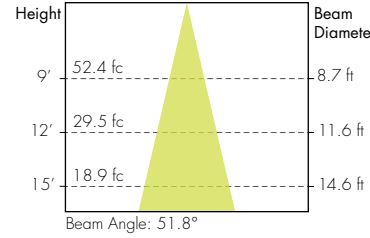
### 30° Faceted Reflector



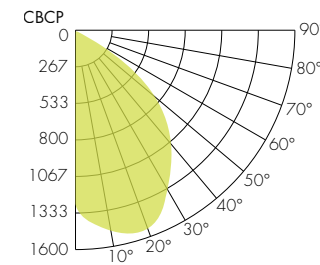
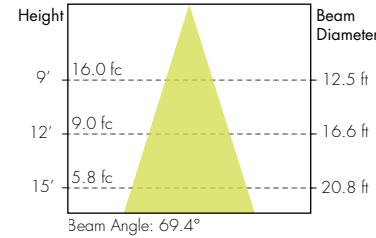
### 80° Smooth Reflector



### 45° Faceted Reflector



### Wall Wash 18° Faceted Reflector



### 60° Faceted Reflector

