

ARTEMIS 3

DOWNLIGHT - ADJUSTABLE - WALL WASH
TUNABLE WHITE & WARM DIM

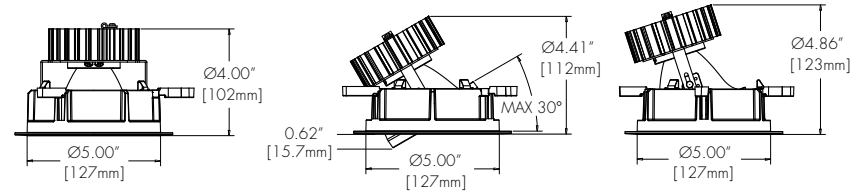


Features

- Available as a fixed downlight, a wall washer, and an adjustable fixture with 360° rotation and up to 30° angle adjustment.
- Ceiling thickness must be between 1/4" and 1" (6mm & 25mm).
- Faceted and Smooth metal reflectors provide beam spreads between 10° to 80°
- Five year warranty.

Finish Options

- White
- Black
- Silver



Technical Information

TYPE	WD1830				TW2765		TM-30					
	1000lm	1500lm	2000lm	3000lm	1500lm	3000lm	CCT	CRI	R _f	R _g	R ₉	
OUTPUT OPTIONS												
Fixture wattage	11.2 W	16.2 W	21.2 W	31.8 W	16.37 W	34.33 W						
Delivered Lumen at full on	1072 lm	1563 lm	2006 lm	2822 lm	1500 lm	2924 lm						
Efficacy	96 lm/W	96 lm/W	95 lm/W	89 lm/W	92 wlm/W	85 lm/W						
Center Beam Candlepower (10° Faceted Reflector)	8012 cd	11682 cd	14992 cd	21091 cd	11211 cd	21853 cd						

Example: Fixture ART3-D-TR-10-WD1830-F10-NA-WH-WH
HRM-ART3-D-TR-10-WD1830-PHSD-NA

Ordering Code

MODEL	TYPE	TRIM	OUTPUT	CCT	OPTIC	ACCESSORY	TRIM FINISH	BAFFLE FINISH
ART3-Artemis 3"	D-Fixed Downlight A-Adjustable W-Wall Wash ¹	TR-Trimmed TL-Trimless	10-1000 lumens 15-1500 lumens 20-2000 lumens 30-3000 lumens	WD1830-Warm Dim, 1800K-3000K TW2765-Tunable White, 2700K-6500K ^{7,8,9}	F10-10 Degree, Faceted F18-18 Degree, Faceted F30-30 Degree, Faceted F45-45 Degree, Faceted F60-60 Degree, Faceted S30-30 Degree, Smooth S45-45 Degree, Smooth S80-80 Degree, Smooth	NA-No Accessory CL-Clear Lens DL-Diffusing Lens HC-Honeycomb Louver SL-Solite Lens	WH-White BK-Black SL-Silver	WH-White BK-Black SL-Silver
HOUSING	MODEL	TRIM	OUTPUT	CCT	DRIVER	DRIVER OPTIONS		
HRM-Remote Power Supply (Non-IC) HP-New Construction Pan (Non-IC) HIC-Housing, IC Rated ² HCP-Housing, IC Rated, Chicago Plenum Rated ²	ART3-D-Artemis 3" Downlight ART3-A-Artemis 3" Adjustable ART3-W-Artemis 3" Wall Wash	Same as Fixture	Same as Fixture	Same as Fixture	PHSD-Forward/Reverse Phase, 1% Dimming, 120V Only 010S-0-10V, 1% Dimming, 120/277V 0103-0-10V, 1% Dimming, 347V Only 010L-EldoLED, 0-10V, Linear, 0.1% Dimming, 120/277V 010G-EldoLED, 0-10V, Log, 0.1% Dimming, 120/277V DALI-EldoLED, DALI Protocol 2, DT-6, 0.1% Dimming, 120/277V DALI8-EldoLED, DALI Protocol 2, DT-8, 0.1% Dimming, 120/277V ⁴ LUTE-Lutron Hilume Ecodigital, 1% Dimming, 120V/277V ^{3,4} DMX-EldoLED, DMX, 0.1% Dimming, 120V/277V ⁴	NA-None EMG-Emergency Driver ^{4,5} AWN-R Athena ⁶		

1 - Wall Wash is only available with Optic F18 - 18 Degree, Faceted and DL - Diffusing Lens.
2 - Housings HIC and HCP are not available when output exceeds 2000 lumens.
3 - LUTE driver is not available at 700 lumens.
4 - Drivers DALI8/LUTE/DMX/EMG are only available with HRM - Remote Power Supply.
5 - Emergency option comes prewired from factory with driver in remote housing. 8V of continuous power provided for a minimum of 90 minutes. Must be installed within 30 feet of luminaire using 18 AWG wire. Only available with 010S/010L/010G/PHSD/DALI Drivers.

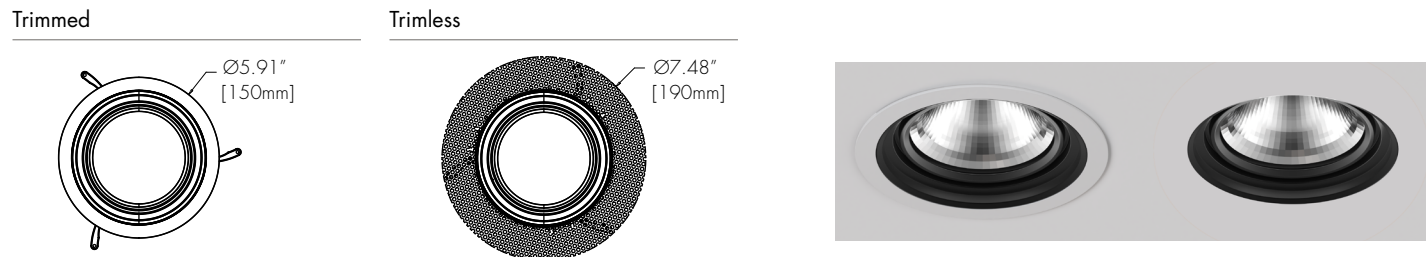
6 - AWNR only available with HP/HIC/HCP Housings and 010S Driver.
7 - TW2765 only available with 1500/3000 lumens.
8 - TW2765 only available with Drivers 010L/010G/DALI8/DMX. Cannot use with EMG.
9 - TW2765 requires HRM - Remote Power Supply.

CONTACT FACTORY FOR MORE OPTIONS.

ARTEMIS 3

DOWNLIGHT - ADJUSTABLE - WALL WASH
TUNABLE WHITE & WARM DIM

Dimensions



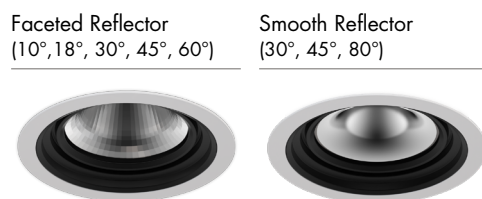
Downlight & Adjustable Lens



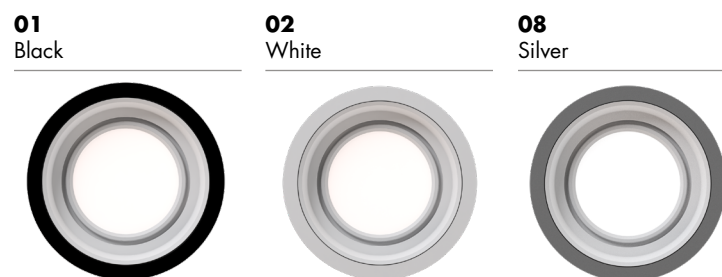
Wall Wash Lens



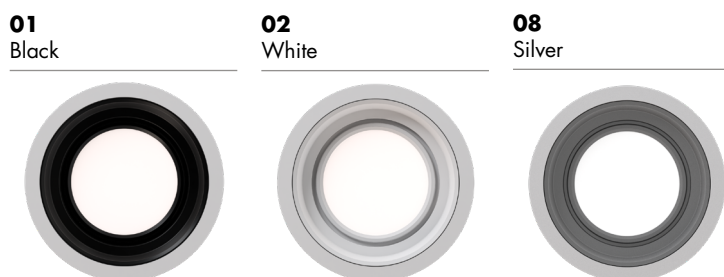
Optics



Trim Finishes



Baffle Finishes



Any combination may be used for Trim and Baffle finishes.

ARTEMIS 3

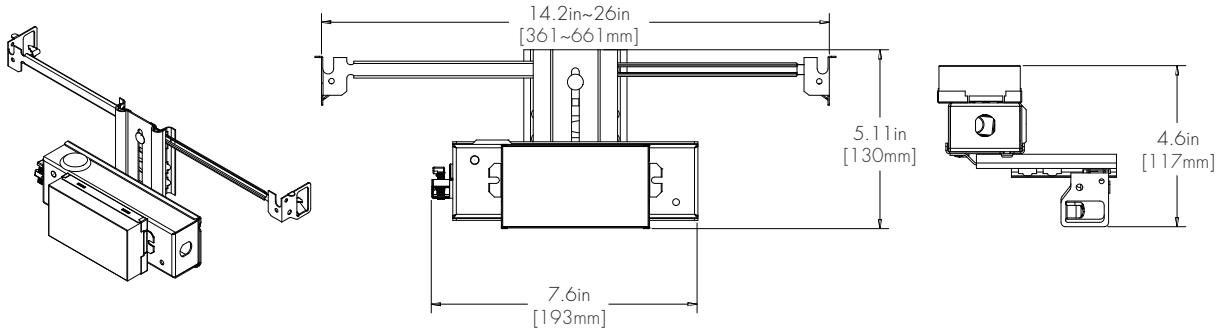
DOWNLIGHT - ADJUSTABLE - WALL WASH
TUNABLE WHITE & WARM DIM

Remote Driver Housing

Maximum mounting distance to luminaire using 18 AWG wire

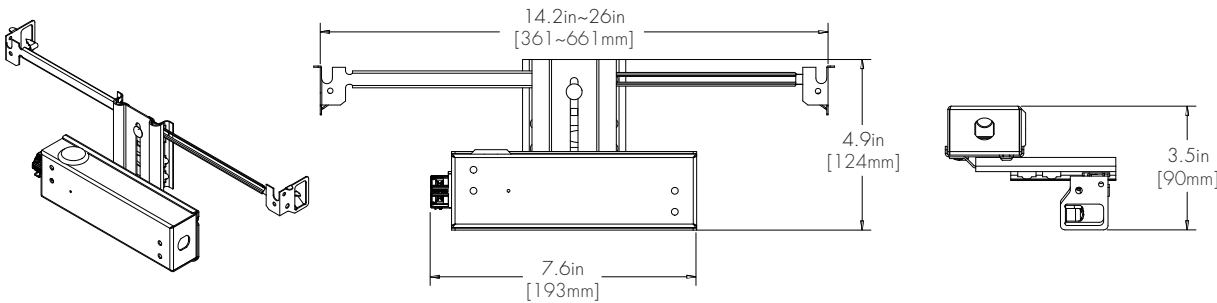
010S	PHSD	010L	010G	DALI DALI8	DMX	LUTE
16'	16'	72'	72'	72'	149'	15'

HRM Single with Externally Mounted Driver



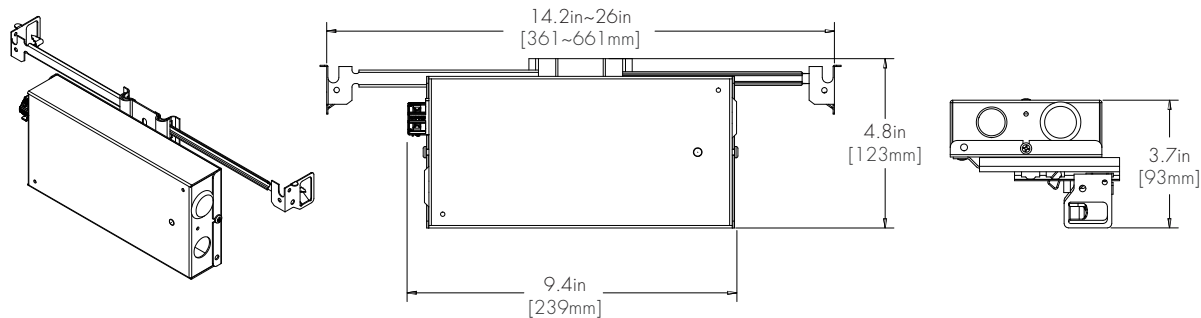
Driver	+	Driver Option
010L	+	NA
010G	+	NA
010S	+	NA
DALI	+	NA
LUTE	+	NA

HRM Single



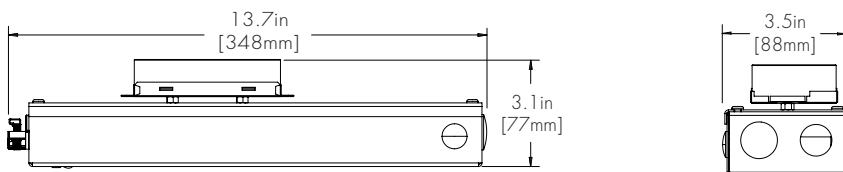
Driver	+	Driver Option
PHSD	+	NA

HRM Double



Driver	+	Driver Option
DALI8	+	NA
DMX	+	NA

EMG Emergency Driver (120 minutes EMG operation time)



Driver	+	Driver Option
010L	+	EMG
010G	+	EMG
010S	+	EMG
DALI	+	EMG
PHSD	+	EMG

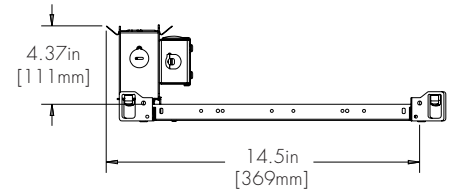
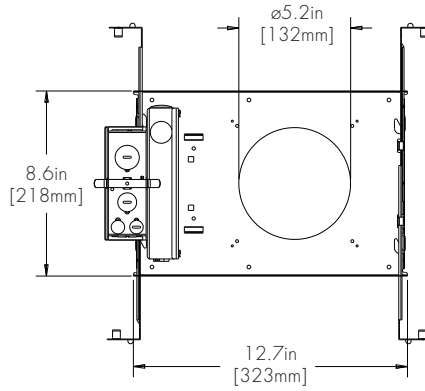
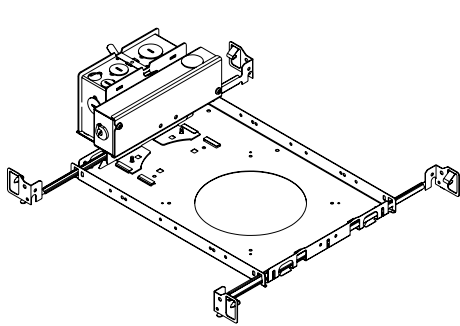
ARTEMIS 3

DOWNLIGHT - ADJUSTABLE - WALL WASH
TUNABLE WHITE & WARM DIM

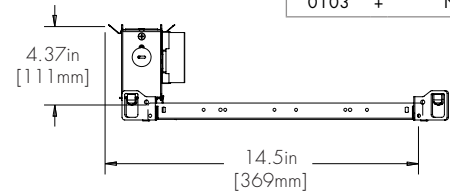
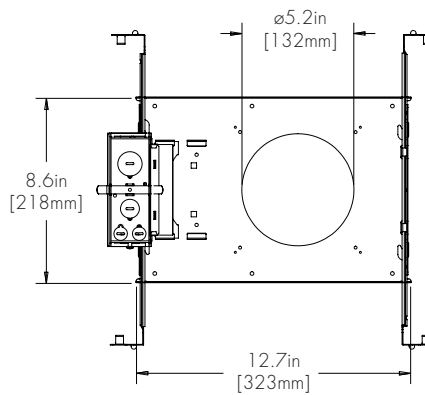
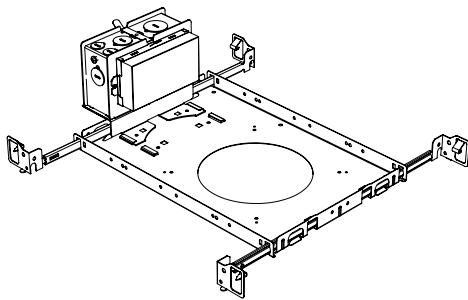
Remote Driver Housing

HP

New Construction Pan (Non-IC)



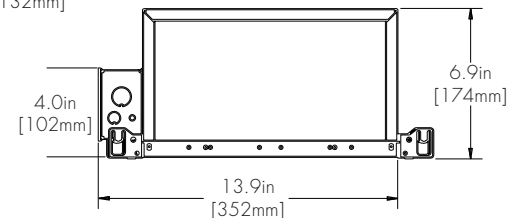
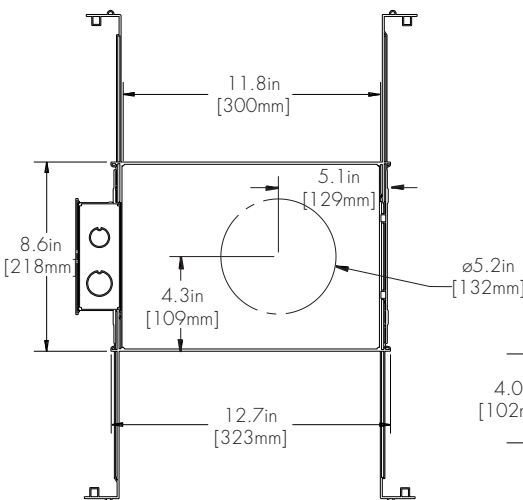
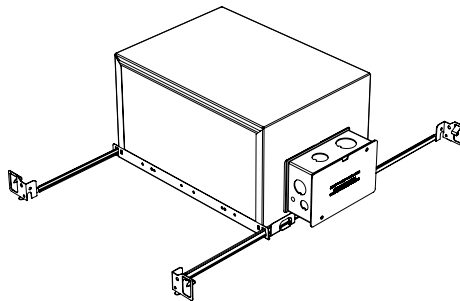
Driver	+ Driver Option
PHSD	+ NA



Driver	+ Driver Option
DALI	+ NA
010S	+ NA
010S	+ AWRNR
010L	+ NA
010G	+ NA
0103	+ NA

HIC/HCP

Housing, IC Rated/ Housing, IC Rated, Chicago Plenum Rated



Driver	+ Driver Option
PHSD	+ NA
DALI	+ NA
010S	+ NA
010S	+ AWRNR
010L	+ NA
010G	+ NA
0103	+ NA

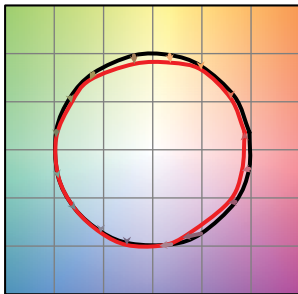
ARTEMIS 3

DOWNLIGHT - ADJUSTABLE - WALL WASH
TUNABLE WHITE & WARM DIM

TM-30

Warm Dim 1800K

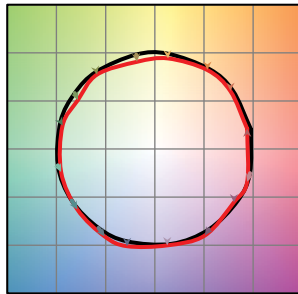
COLOR VECTOR GRAPHIC



— Reference Source — Test Source

Warm Dim 3000K

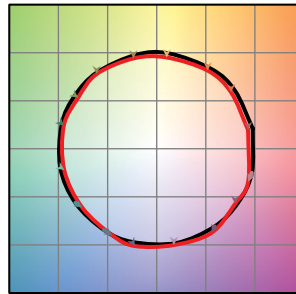
COLOR VECTOR GRAPHIC



— Reference Source — Test Source

Tunable White 2700K

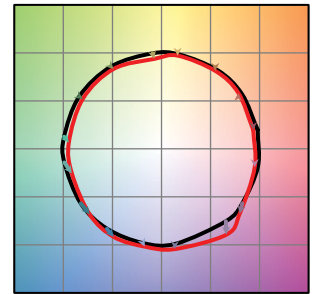
COLOR VECTOR GRAPHIC



— Reference Source — Test Source

Tunable White 6500K

COLOR VECTOR GRAPHIC



— Reference Source — Test Source

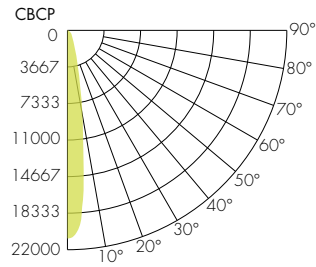
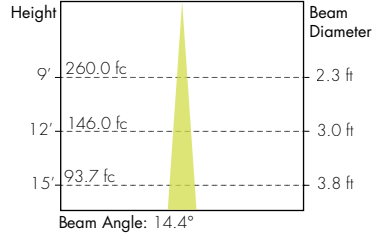
ARTEMIS 3

DOWNLIGHT - ADJUSTABLE - WALL WASH
TUNABLE WHITE & WARM DIM

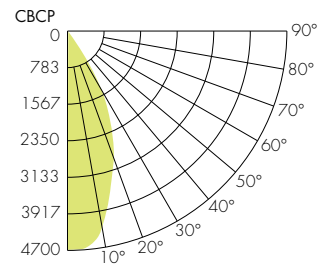
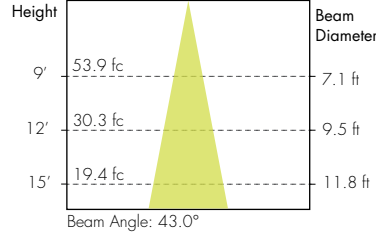


Photometry

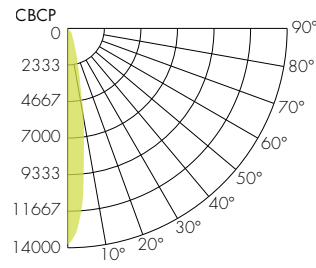
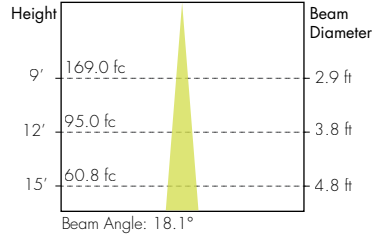
10° Faceted Reflector



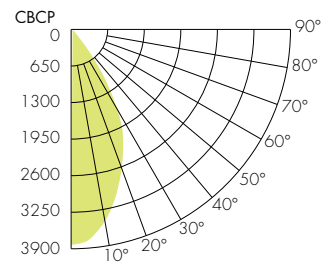
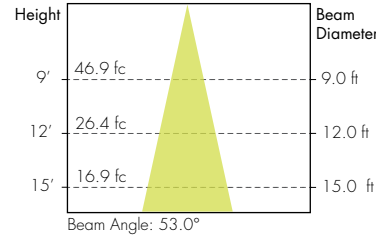
30° Smooth Reflector



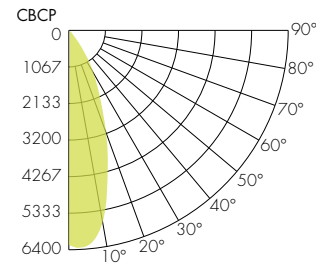
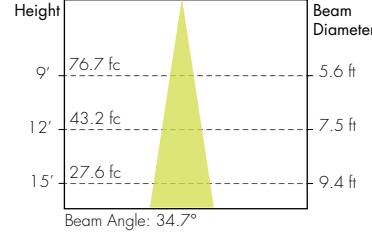
18° Faceted Reflector



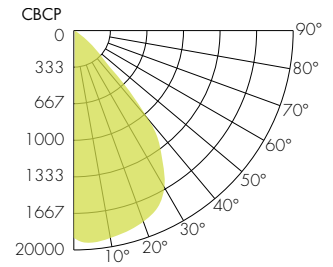
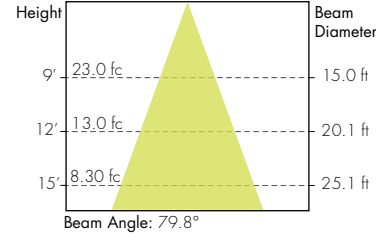
45° Smooth Reflector



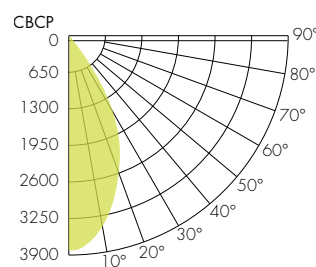
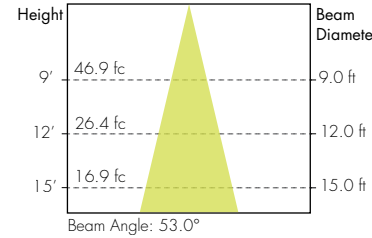
30° Faceted Reflector



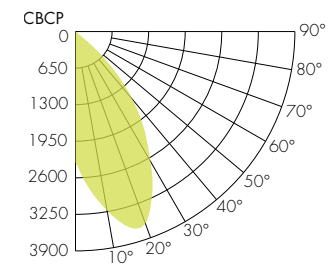
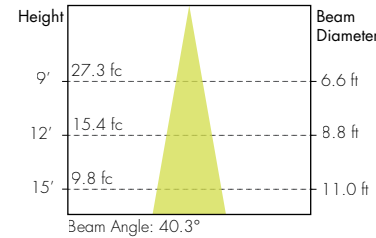
80° Smooth Reflector



45° Faceted Reflector



Wall Wash 18° Faceted Reflector



60° Faceted Reflector

