

ARTEMIS 2

DOWNLIGHT - ADJUSTABLE - WALL WASH

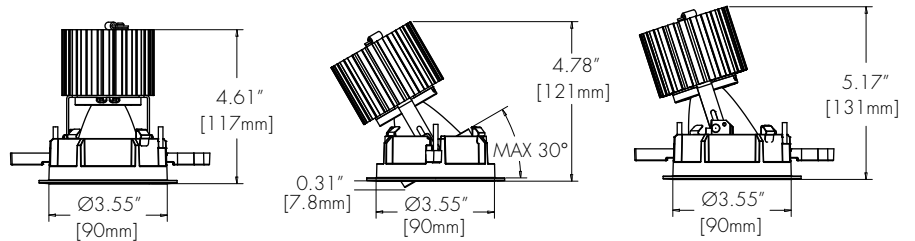


Features

- Available as a fixed downlight, a wall washer, and an adjustable fixture with 360° rotation and up to 30° angle adjustment.
- Ceiling thickness must be between 1/4" and 1" (6mm & 25mm).
- Faceted and Smooth metal reflectors provide beam spreads between 15° to 60°
- Five year warranty.

Finish Options

- White
- Black
- Silver



Technical Information

OUTPUT OPTIONS	700 lm	1000 lm	1500 lm	2000 lm
Fixture wattage	7.4 W	10.6 W	16.6 W	25.2 W
Delivered Lumen at 3500K	714 lm	944 lm	1465 lm	2160 lm
Efficacy	96 lm/W	89 lm/W	88 lm/W	86 lm/W
Center Beam Candlepower (15° Faceted Reflector)	4382 cd	5794 cd	8991 cd	13257 cd

CCT	Multiplier	CRI	TM-30		
			R _f	R _g	R ₉
2500K	0.81	92	90	104	77
2700K	0.92	92	91	102	61
3000K	0.97	95	92	102	61
3500K	1.00	95	93	101	72
4000K	1.07	95	92	103	68
6500K	1.05	96	91	100	89

Ordering Code

Example: Fixture HRM-ART2-D-TR-07-25K-F15-NA-WH-WH
HRM-ART2-D-TR-07-25K-PHSD-NA

Fixture

MODEL	TYPE	TRIM	OUTPUT	CCT	OPTIC	ACCESSORY	TRIM FINISH	BAFFLE FINISH
ART2-Artemis 2"	D-Fixed Downlight A-Adjustable W-Wall Wash ¹	TR-Trimmed TL-Trimless	07-700 lumens (7.4W) 10-1000 lumens (10.6W) 15-1500 lumens (16.6W) 20-2000 lumens (25.2W)	25K-2500K 27K-2700K 30K-3000K 35K-3500K 40K-4000K 65K-6500K	F15-15 Degree, Faceted F30-30 Degree, Faceted F45-45 Degree, Faceted F60-60 Degree, Faceted S30-30 Degree, Smooth S45-45 Degree, Smooth	NA-No Accessory CL-Clear Lens DL-Diffusing Lens HC-Honeycomb Louver SL-Solite Lens SP-Spread Lens	WH-White BK-Black SL-Silver	WH-White BK-Black SL-Silver

HOUSING	MODEL	TRIM	OUTPUT	CCT	DRIVER	DRIVER OPTIONS
HRM-Remote Power Supply (Non-IC) HP-New Construction Pan (Non-IC) HIC-Housing, IC Rated ² HCP-Housing, IC Rated, Chicago Plenum Rated ²	ART2-D-Artemis 2" Downlight ART2-A-Artemis 2" Adjustable ART2-W-Artemis 2" Wall Wash	Same as Fixture	Same as Fixture	Same as Fixture	PHSD-Forward/Reverse Phase, 1% Dimming, 120V Only 010S-0-10V, 1% Dimming, 120/277V 0103-0-10V, 1% Dimming, 347V Only ⁴ 010L-EldoLED, 0-10V, Linear, 0.1% Dimming, 120/277V ⁴ 010G-EldoLED, 0-10V, Log, 0.1% Dimming, 120/277V ⁴ DALI-EldoLED, DALI Protocol 2, DT-6, 0.1% Dimming, 120/277V ⁴ DALI8-EldoLED, DALI Protocol 2, DT-8, 0.1% Dimming, 120/277V ⁴ LUTE-Lutron Hilume Ecodigital, 1% Dimming, 120V/277V ^{3,4} DMX-EldoLED, DMX, 0.1% Dimming, 120V/277V ⁴	NA-None EMG-Emergency Driver ^{4,5}

- Wall Wash is only available with Optic F15 - 15 Degree, Faceted and DL - Diffusing Lens.
- Housings HIC and HCP are not available when output exceeds 2000 lumens.
- LUTE driver is not available at 700 lumens.
- Drivers 0103/010L/010G/DALI/DALI8/LUTE/DMX/EMG are only available with HRM- Remote Power Supply.

- Emergency option comes prewired from factory with driver in remote housing. 8W of continuous power provided for a minimum of 90 minutes. Must be installed within 30 feet of luminaire using 18 AWG wire. Only available with 010S/010L/010G/PHSD/DALI Drivers.

CONTACT FACTORY FOR MORE OPTIONS

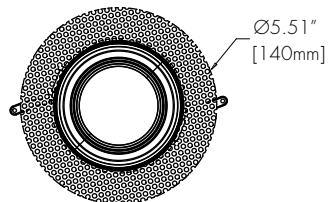
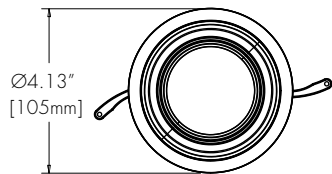
ARTEMIS 2

DOWNLIGHT - ADJUSTABLE - WALL WASH

Dimensions

Trimmed

Trimless



Downlight & Adjustable Lens

CL
Clear Lens



DL
Diffusing Lens



HC
Honeycomb Louver



SP
Spread Lens



SL
Solite Lens



Wall Wash Lens

DL
Diffusing Lens



Optics

Faceted Reflector
(15°, 30°, 45°, 60°)

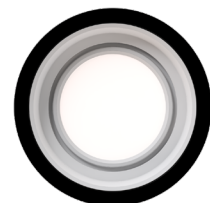


Smooth Reflector
(30°, 45°)

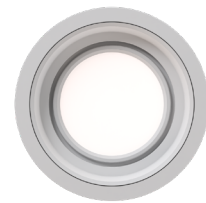


Trim Finishes

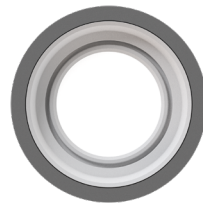
01
Black



02
White

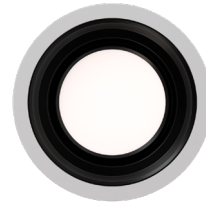


08
Silver

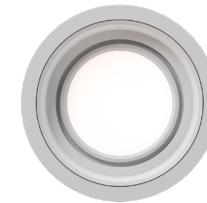


Baffle Finishes

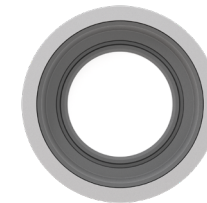
01
Black



02
White



08
Silver



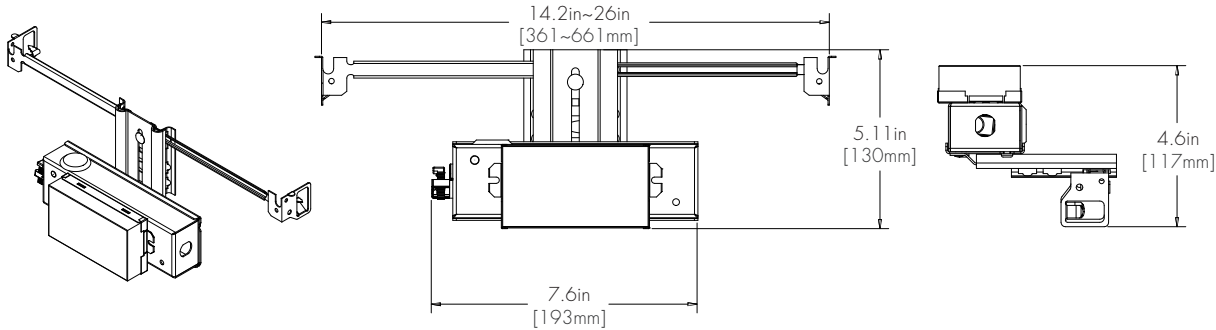
Any combination may be used for Trim and Baffle finishes.

Remote Driver Housing

Maximum mounting distance to luminaire using 18 AWG wire

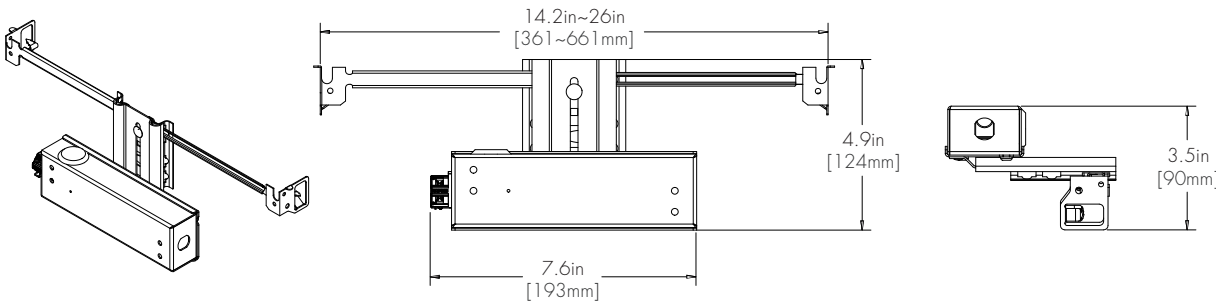
010S	PHSD	010L	010G	DALI DALI8	DMX	LUTE
16'	16'	72'	72'	72'	149'	15'

HRM Single with Externally Mounted Driver



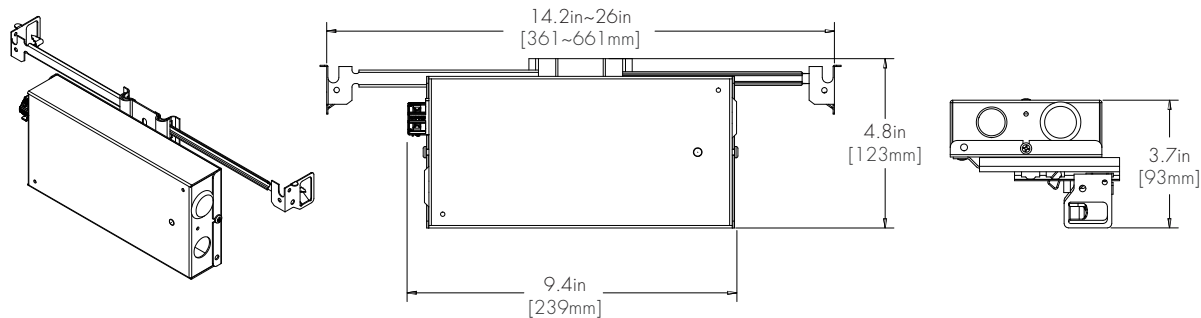
Driver + Driver Option	
010L +	NA
010G +	NA
010S +	NA
DALI +	NA
LUTE +	NA

HRM Single



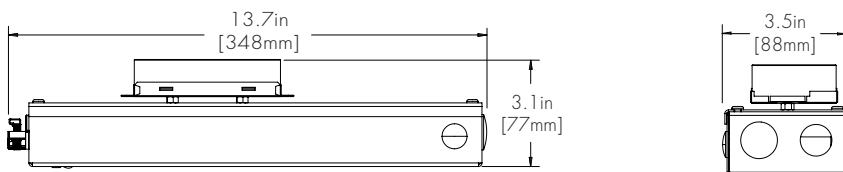
Driver + Driver Option	
PHSD +	NA

HRM Double



Driver + Driver Option	
DALI8 +	NA
DMX +	NA

EMG Emergency Driver (120 minutes EMG operation time)



Driver + Driver Option	
010L +	EMG
010G +	EMG
010S +	EMG
DALI +	EMG
PHSD +	EMG

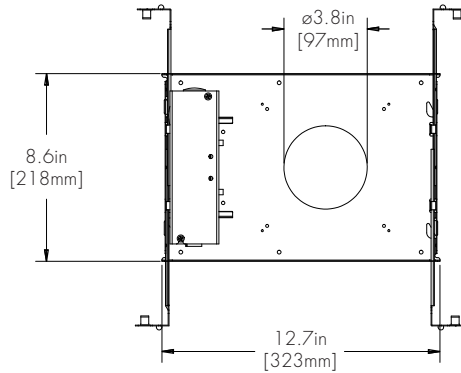
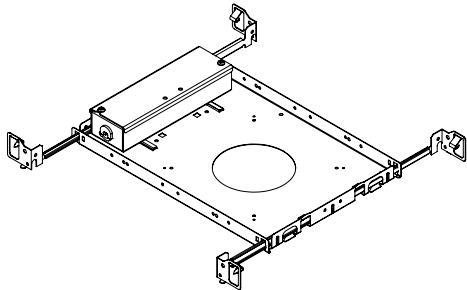
ARTEMIS 2

DOWNLIGHT - ADJUSTABLE - WALL WASH

Remote Driver Housing

HP

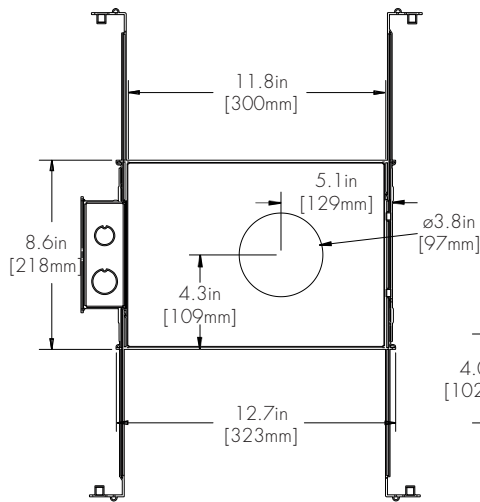
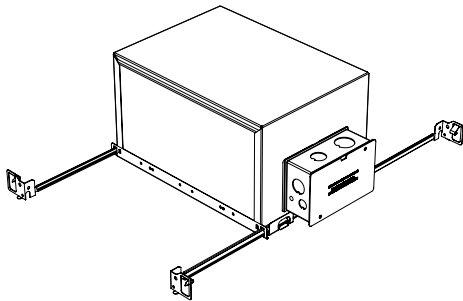
New Construction Pan (Non-IC)



Driver	+	Driver Option
PHSD	+	NA
010S	+	NA

HIC/HCP

Housing, IC Rated/ Housing, IC Rated, Chicago Plenum Rated



Driver	+	Driver Option
PHSD	+	NA
010S	+	NA

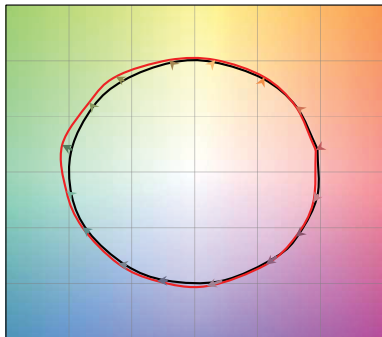
ARTEMIS 2

DOWNLIGHT - ADJUSTABLE - WALL WASH

TM-30

2500K

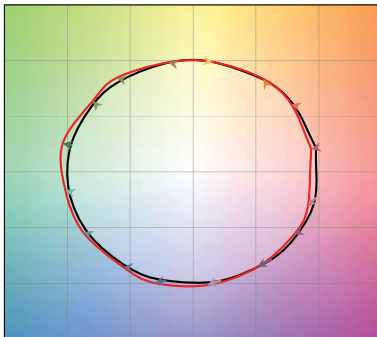
COLOR VECTOR GRAPHIC



— Reference Source — Test Source

2700K

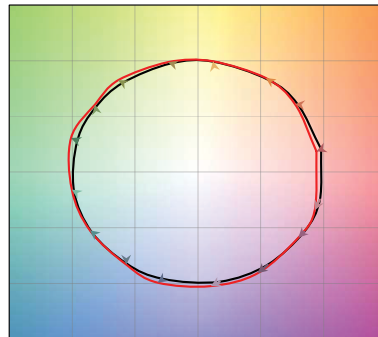
COLOR VECTOR GRAPHIC



— Reference Source — Test Source

3000K

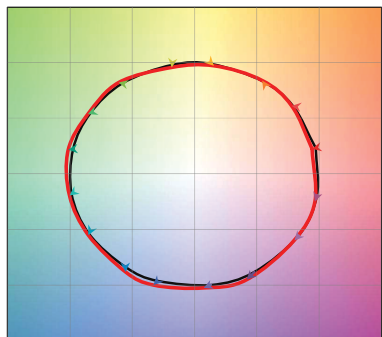
COLOR VECTOR GRAPHIC



— Reference Source — Test Source

3500K

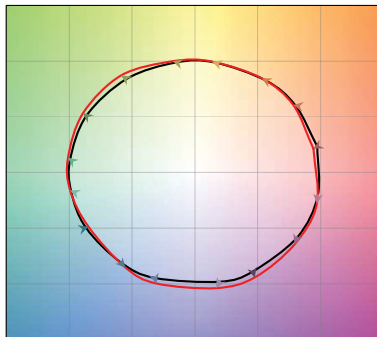
COLOR VECTOR GRAPHIC



— Reference Source — Test Source

4000K

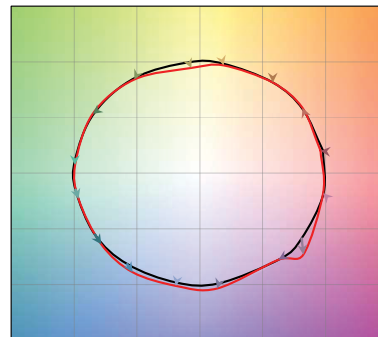
COLOR VECTOR GRAPHIC



— Reference Source — Test Source

6500K

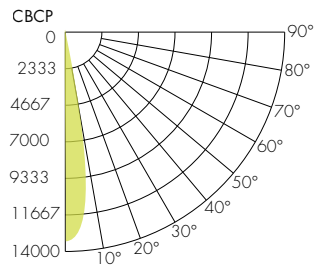
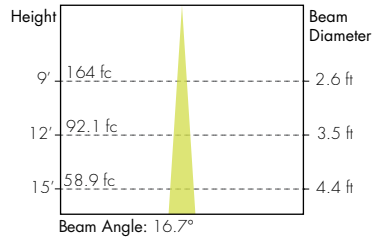
COLOR VECTOR GRAPHIC



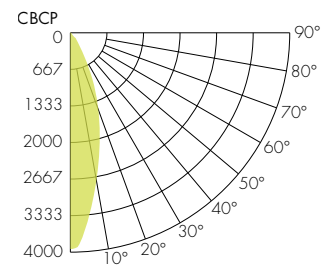
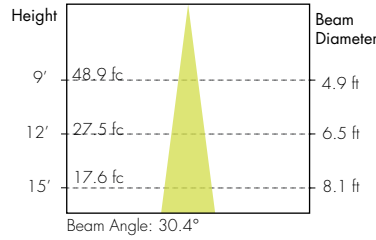
— Reference Source — Test Source

Photometry

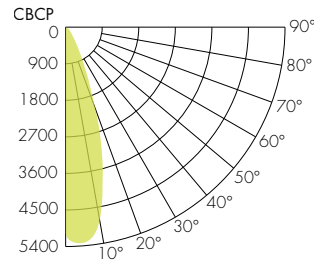
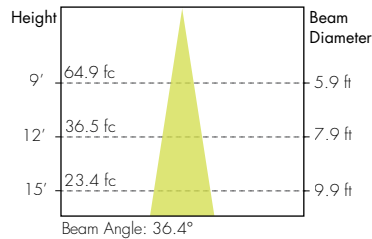
15° Faceted Reflector



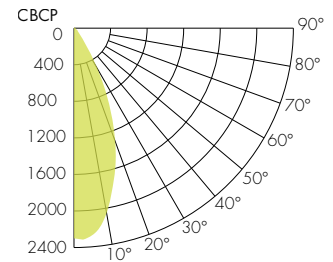
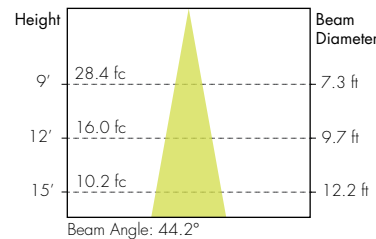
30° Smooth Reflector



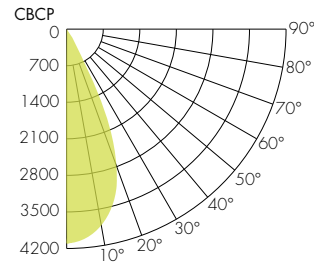
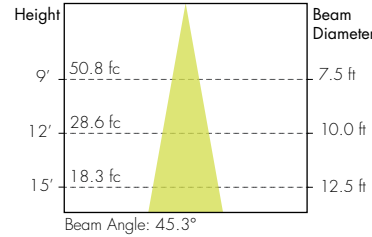
30° Faceted Reflector



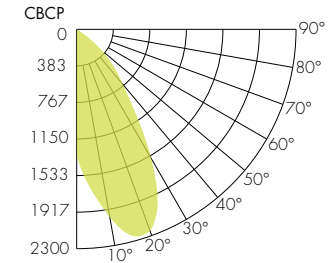
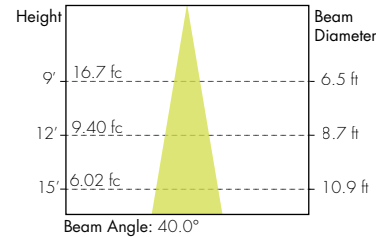
45° Smooth Reflector



45° Faceted Reflector



Wall Wash 15° Faceted Reflector



60° Faceted Reflector

