

mm (inches)

threaded stud B can be removed upon request

TECHNICAL DESCRIPTION

Atto S is a Constant Current single source LED spotlight that is machined from aerospace grade aluminium 6063-T6 and comes as standard in white, black and brushed aluminium along with three premium brass finishes. It has four site-changeable optics for flexible beam distribution and is fully adjustable with lockable 360° pan and 180° tilt. The narrow beam in our 1.12W 102lm module has a peak intensity of 794cd. A snoot and accessory holder is available separately.

MECHANICAL & ELECTRICAL

<b>CATEGORY</b> IP20	<b>WATTAGE</b> 1.12W
<b>MATERIAL</b> Machined AL 6063-T6   Machined Brass	<b>FORWARD VOLTAGE</b> 3.2V
<b>PAN</b> 360°	<b>DRIVE CURRENT</b> 350mA
<b>TILT</b> 180°	<b>SUPPLY TYPE</b> Constant Current
<b>LOCKABLE</b> Pan & Tilt	<b>DRIVER LOCATION</b> Remote
<b>WEIGHT</b> 43g   0.09lb	<b>DIMMING</b> DALI   0-10V   1-10V

MOUNTING

<b>MOUNTING</b> M10 / Screw Fixing	<b>CUTOUT</b> N/A
<b>CEILING THICKNESS</b> N/A	<b>MIN CEILING VOID</b> N/A

FINISHES

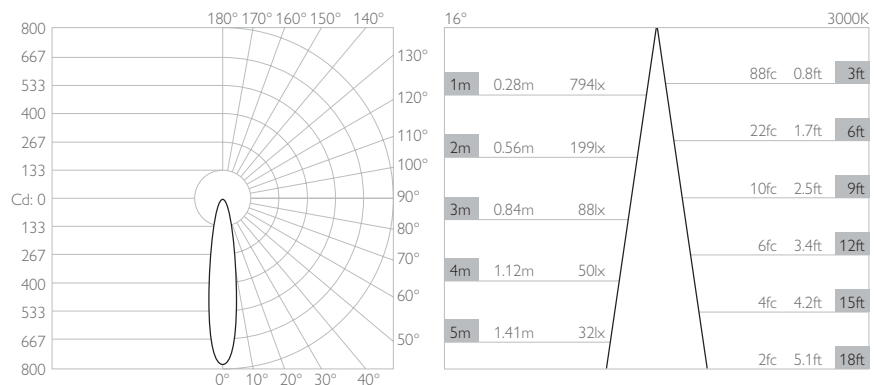
**FINISHES** Brushed Aluminium | White RAL9010 | Matte Black Anodised | Rubbed Bronze\* | Polished Brass\* | Brushed Brass\*  
\*Premium & custom finishes are built & finished to order. These are subject to an extended lead time & MOQ.

OPTICAL & STANDARDS

<b>NOMINAL LUMENS</b> 102lm	<b>BEAM ANGLE</b> 16°
<b>DELIVERED LUMENS</b> 94lm	<b>CRI</b> 95 TYP
<b>COLOUR TEMPERATURE</b> 2700K   3000K	<b>TM-30</b> RF: 93 RG: 99
<b>ACCESSORY HOLDER</b> N/A	<b>WARRANTY</b> 5 Years
<b>ACCESSORIES</b> Snoots	<b>STANDARDS</b>



Photometry shown is for 3000K module. Please enquire for other CCT photometry. L90 50,000 hours.



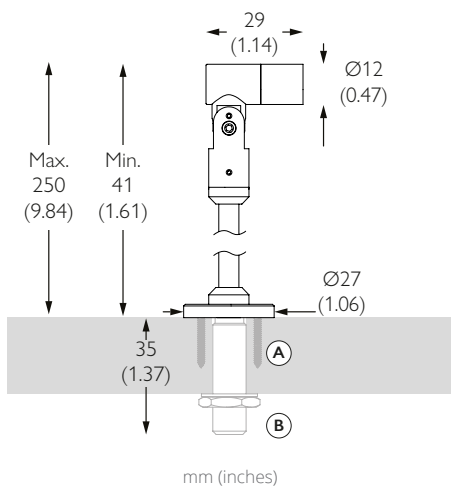
LUMINAIRE FINISH

White 9010	Matt Black Anodised	Brushed Aluminium	Rubbed Bronze*	Polished Brass*	Brushed Brass*
763-WH-XX9516	763-EBA-XX9516	763-AL-XX9516	763-RB-XX9516	763-PB-XX9516	763-SB-XX9516

\*All premium & custom finishes are built & finished to order. These are subject to an extended lead time & MOQ

For 3000K Substitute XX with 30

For 2700K Substitute XX with 27



threaded stud B can be removed upon request

TECHNICAL DESCRIPTION

Atto S is a Constant Current single source LED spotlight that is machined from aerospace grade aluminium 6063-T6 and comes as standard in white, black and brushed aluminium along with three premium brass finishes. It has four site-changeable optics for flexible beam distribution and is fully adjustable with lockable 360° pan and 180° tilt. The medium beam in our 1.12W 102lm module has a peak intensity of 359cd. A snoot and accessory holder is available separately.

MECHANICAL & ELECTRICAL

<b>CATEGORY</b> IP20	<b>WATTAGE</b> 1.12W
<b>MATERIAL</b> Machined AL 6063-T6   Machined Brass	<b>FORWARD VOLTAGE</b> 3.2V
<b>PAN</b> 360°	<b>DRIVE CURRENT</b> 350mA
<b>TILT</b> 180°	<b>SUPPLY TYPE</b> Constant Current
<b>LOCKABLE</b> Pan & Tilt	<b>DRIVER LOCATION</b> Remote
<b>WEIGHT</b> 43g   0.09lb	<b>DIMMING</b> DALI   0-10V   1-10V

MOUNTING

<b>MOUNTING</b> M10 / Screw Fixing	<b>CUTOUT</b> N/A
<b>CEILING THICKNESS</b> N/A	<b>MIN CEILING VOID</b> N/A

FINISHES

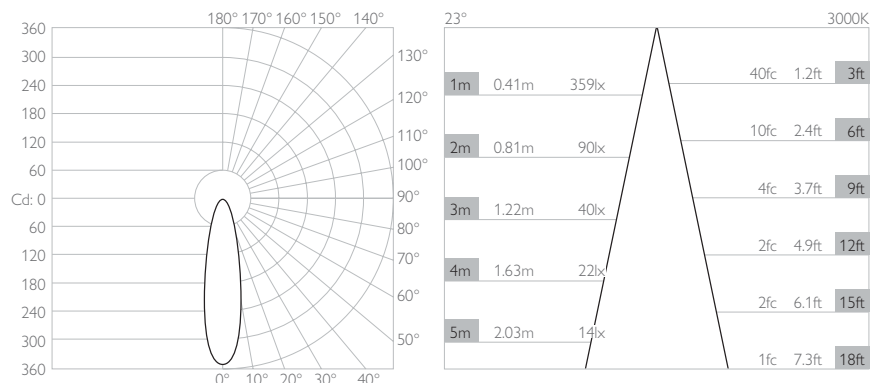
**FINISHES** Brushed Aluminium | White RAL9010 | Matte Black Anodised | Rubbed Bronze\* | Polished Brass\* | Brushed Brass\*  
\*Premium & custom finishes are built & finished to order. These are subject to an extended lead time & MOQ.

OPTICAL & STANDARDS

<b>NOMINAL LUMENS</b> 102lm	<b>BEAM ANGLE</b> 23°
<b>DELIVERED LUMENS</b> 92lm	<b>CRI</b> 95 TYP
<b>COLOUR TEMPERATURE</b> 2700K   3000K	<b>TM-30</b> RF: 93 RG: 99
<b>ACCESSORY HOLDER</b> N/A	<b>WARRANTY</b> 5 Years
<b>ACCESSORIES</b> Snoots	<b>STANDARDS</b>



Photometry shown is for 3000K module. Please enquire for other CCT photometry. L90 50,000 hours.



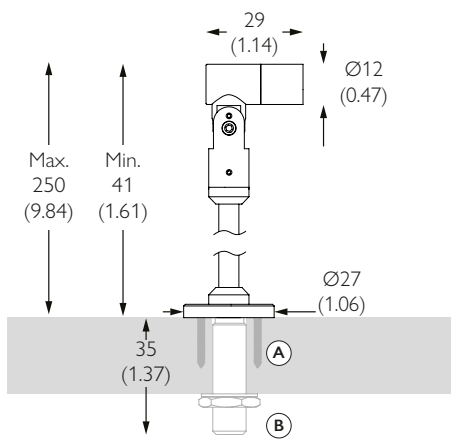
LUMINAIRE FINISH

White 9010	Matt Black Anodised	Brushed Aluminium	Rubbed Bronze*	Polished Brass*	Brushed Brass*
763-WH-XX9523	763-EBA-XX9523	763-AL-XX9523	763-RB-XX9523	763-PB-XX9523	763-SB-XX9523

\*All premium & custom finishes are built & finished to order. These are subject to an extended lead time & MOQ

For 3000K Substitute XX with 30

For 2700K Substitute XX with 27



mm (inches)

threaded stud B can be removed upon request

**TECHNICAL DESCRIPTION**

Atto S is a Constant Current single source LED spotlight that is machined from aerospace grade aluminium 6063-T6 and comes as standard in white, black and brushed aluminium along with three premium brass finishes. It has four site-changeable optics for flexible beam distribution and is fully adjustable with lockable 360° pan and 180° tilt. The flood beam in our 1.12W 102lm module has a peak intensity of 109cd. A snoot and accessory holder is available separately.

**MECHANICAL & ELECTRICAL**

<b>CATEGORY</b> IP20	<b>WATTAGE</b> 1.12W
<b>MATERIAL</b> Machined AL 6063-T6   Machined Brass	<b>FORWARD VOLTAGE</b> 3.2V
<b>PAN</b> 360°	<b>DRIVE CURRENT</b> 350mA
<b>TILT</b> 180°	<b>SUPPLY TYPE</b> Constant Current
<b>LOCKABLE</b> Pan & Tilt	<b>DRIVER LOCATION</b> Remote
<b>WEIGHT</b> 43g   0.09lb	<b>DIMMING</b> DALI   0-10V   1-10V

**MOUNTING**

<b>MOUNTING</b> M10 / Screw Fixing	<b>CUTOUT</b> N/A
<b>CEILING THICKNESS</b> N/A	<b>MIN CEILING VOID</b> N/A

**FINISHES**

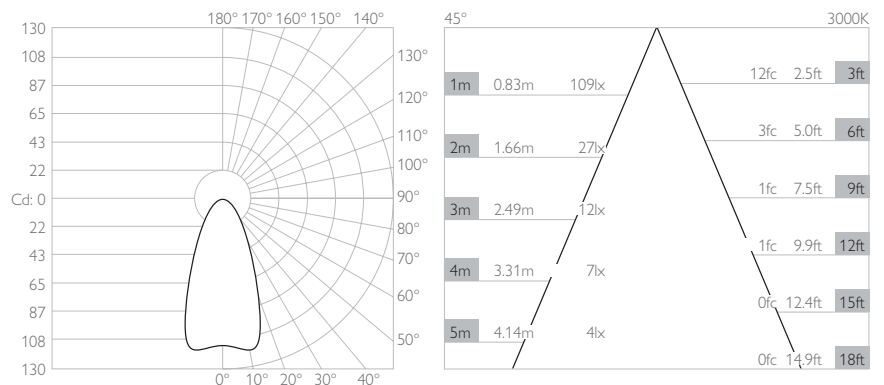
**FINISHES** Brushed Aluminium | White RAL9010 | Matte Black Anodised | Rubbed Bronze\* | Polished Brass\* | Brushed Brass\*  
\*Premium & custom finishes are built & finished to order. These are subject to an extended lead time & MOQ.

**OPTICAL & STANDARDS**

<b>NOMINAL LUMENS</b> 102lm	<b>BEAM ANGLE</b> 45°
<b>DELIVERED LUMENS</b> 93lm	<b>CRI</b> 95 TYP
<b>COLOUR TEMPERATURE</b> 2700K   3000K	<b>TM-30</b> RF: 93 RG: 99
<b>ACCESSORY HOLDER</b> N/A	<b>WARRANTY</b> 5 Years
<b>ACCESSORIES</b> Snoots	<b>STANDARDS</b>



Photometry shown is for 3000K module. Please enquire for other CCT photometry. L90 50,000 hours.



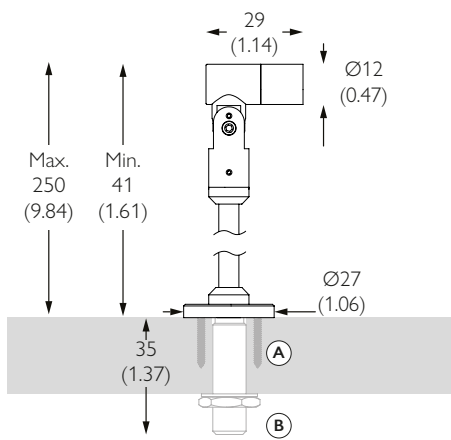
**LUMINAIRE FINISH**

White 9010	Matt Black Anodised	Brushed Aluminium	Rubbed Bronze*	Polished Brass*	Brushed Brass*
763-WH-XX9545	763-EBA-XX9545	763-AL-XX9545	763-RB-XX9545	763-PB-XX9545	763-SB-XX9545

\*All premium & custom finishes are built & finished to order. These are subject to an extended lead time & MOQ

For 3000K Substitute XX with 30 - For 2700K Substitute XX with 27

WIDE FLOOD



mm (inches)

threaded stud B can be removed upon request

TECHNICAL DESCRIPTION

Atto S is a Constant Current single source LED spotlight that is machined from aerospace grade aluminium 6063-T6 and comes as standard in white, black and brushed aluminium along with three premium brass finishes. It has four site-changeable optics for flexible beam distribution and is fully adjustable with lockable 360° pan and 180° tilt. The wide flood beam in our 1.12W 102lm module has a peak intensity of 26cd. A snoot and accessory holder is available separately.

MECHANICAL & ELECTRICAL

<b>CATEGORY</b> IP20	<b>WATTAGE</b> 1.12W
<b>MATERIAL</b> Machined AL 6063-T6   Machined Brass	<b>FORWARD VOLTAGE</b> 3.2V
<b>PAN</b> 360°	<b>DRIVE CURRENT</b> 350mA
<b>TILT</b> 180°	<b>SUPPLY TYPE</b> Constant Current
<b>LOCKABLE</b> Pan & Tilt	<b>DRIVER LOCATION</b> Remote
<b>WEIGHT</b> 43g   0.09lb	<b>DIMMING</b> DALI   0-10V   1-10V

MOUNTING

<b>MOUNTING</b> M10 / Screw Fixing	<b>CUTOUT</b> N/A
<b>CEILING THICKNESS</b> N/A	<b>MIN CEILING VOID</b> N/A

FINISHES

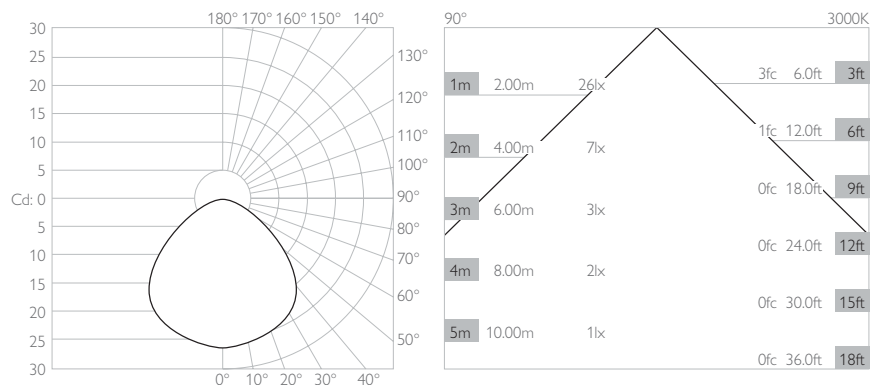
**FINISHES** Brushed Aluminium | White RAL9010 | Matte Black Anodised | Rubbed Bronze\* | Polished Brass\* | Brushed Brass\*  
\*Premium & custom finishes are built & finished to order. These are subject to an extended lead time & MOQ.

OPTICAL & STANDARDS

<b>NOMINAL LUMENS</b> 102lm	<b>BEAM ANGLE</b> 90°
<b>DELIVERED LUMENS</b> 69lm	<b>CRI</b> 95 TYP
<b>COLOUR TEMPERATURE</b> 2700K   3000K	<b>TM-30</b> RF: 93 RG: 99
<b>ACCESSORY HOLDER</b> N/A	<b>WARRANTY</b> 5 Years
<b>ACCESSORIES</b> Snoots	<b>STANDARDS</b>



Photometry shown is for 3000K module. Please enquire for other CCT photometry. L90 50,000 hours.



LUMINAIRE FINISH

White 9010	Matt Black Anodised	Brushed Aluminium	Rubbed Bronze*	Polished Brass*	Brushed Brass*
763-WH-XX9590	763-EBA-XX9590	763-AL-XX9590	763-RB-XX9590	763-PB-XX9590	763-SB-XX9590

\*All premium & custom finishes are built & finished to order. These are subject to an extended lead time & MOQ

For 3000K Substitute XX with 30

For 2700K Substitute XX with 27