

Features

The ALE Channel is a linear aluminum extrusion has been designed to fit many LED lighting needs. Multiple configuration options allow for great flexibility in installations where two mounting materials meet, like dropped ceilings and architectural reveals. Substantial aluminum mass in profile and expanded design of the section provide excellent heat sink for high power LEDs. ALE extrusion comes with two choices of diffuser lenses.

Finish

Silver anodized

Warranty

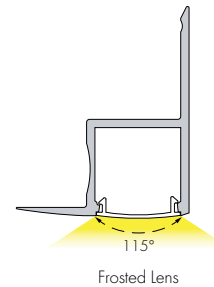
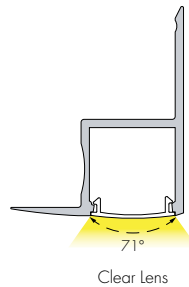
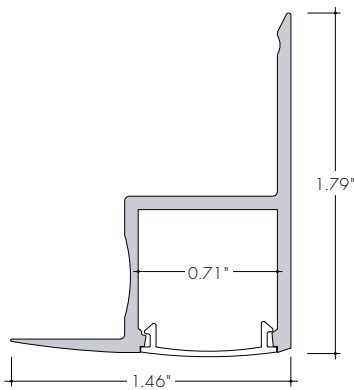
7 Years

Diffuser Lens

Polycarbonate, slide-in-place, UV resistant

Declare.

Product Dimensions



	Lens Options
Actual Length	-78.75"
Available Lenses	-Clear -Frosted

TRANSMISSION PERCENTAGE
(COMPARED TO LED TAPE WITHOUT CHANNEL)

LENS	TRANSMISSION %
Clear	58%
Frosted	37%

See LED tape spec sheet for lens dotting characteristics & compatibility

Ordering code

MODEL	LENGTH	LENS	FINISH
ALE - ALE Channel	78 - 78"	C - Clear F - Frosted	SA - Silver Anodized

Installation

